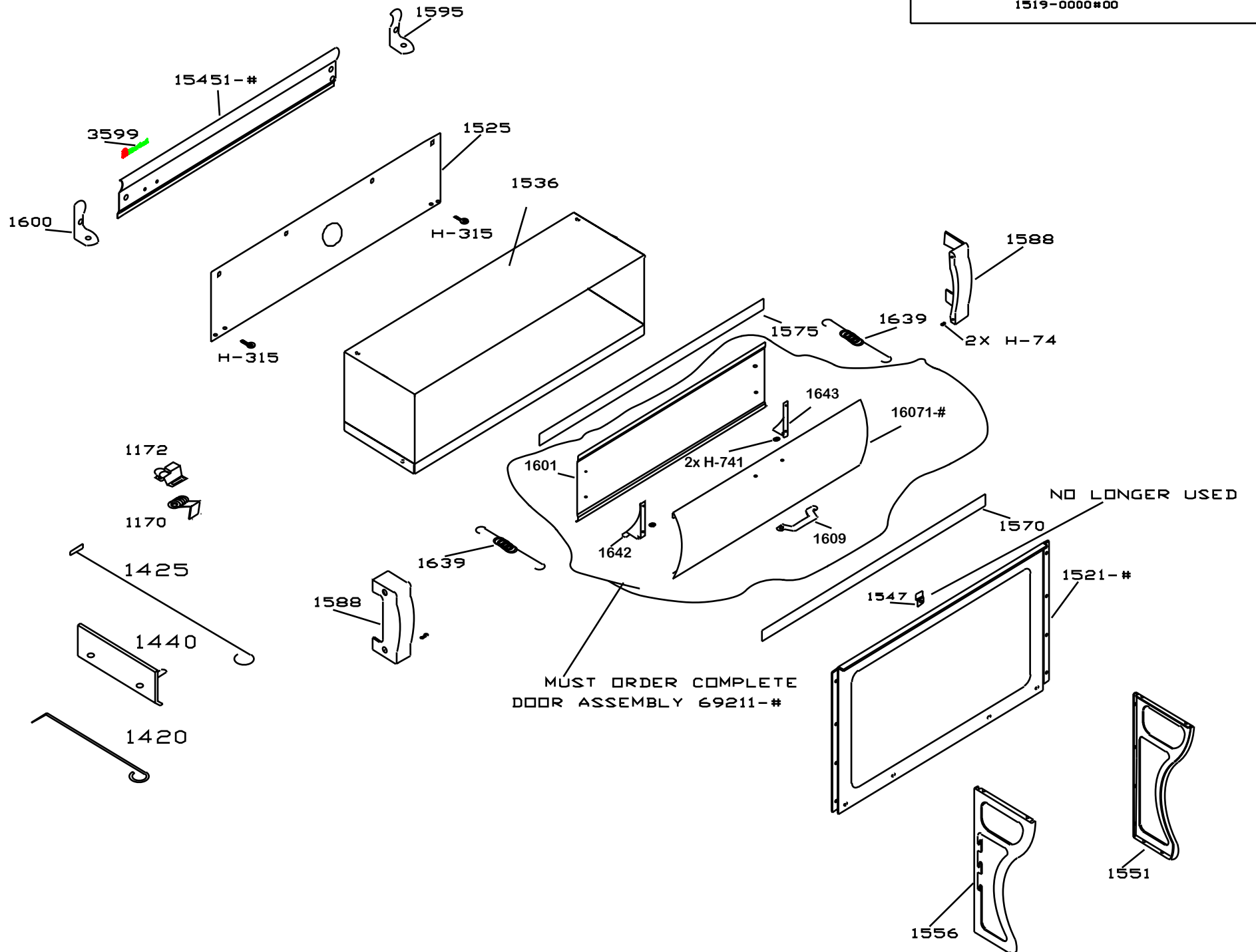


DESCRIPTION

WARMING CABINET ASSEMBLY
1519-0000#00

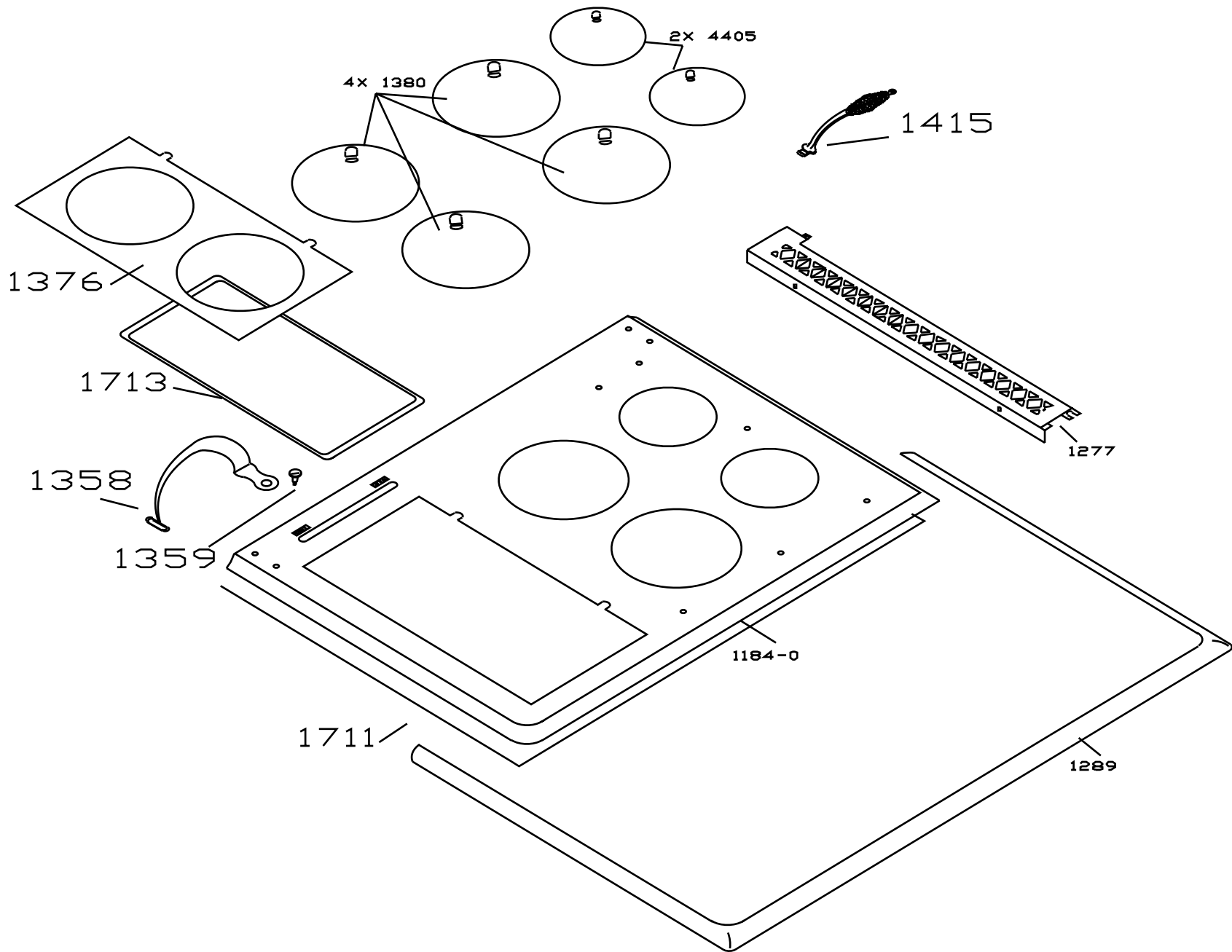


PAGE ID 11903 WARMING CABINET- 1519-0000#00		
PART # / ITEM #	DESCRIPTION	NOTES
1170	OVEN & CABINET SPRING CATCH	NO LONGER USED
1172	NYLON CABINET ROLLER CATCH	NO LONGER USED
1420	POKER	
1425	ASH SCRAPPER	
1440	TOOL RACK	
1525	CLOSET BACK PANEL	
1536	CABINET WRAP WELDMENT	
1547	SPLASHBACK OFFSET CLIP	NO LONGER USED
1551	RIGHT CABINET BRACKET	
1556	LEFT CABINET BRACKET	
1570	LOWER CABINET STRIP	
1575	UPPER CABINET STRIP	
1588	LEFT/RIGHT CABINET CORNER - NICKLE	
1595	RIGHT CRESTING CORNER - METAL	
1600	LEFT CRESTING CORNER - METAL	
1601	CABINET DOOR BACK	NOT FIELD REPLACEABLE - MUST ORDER DOOR ASSEMBLY 69211-#
1609	CLOSET DOOR HANDLE	NOT FIELD REPLACEABLE - MUST ORDER DOOR ASSEMBLY 69211-#
1639	CABINET DOOR SPRING	
1642	LEFT CLOSET DOOR STOP	
1643	RIGHT CLOSET DOOR STOP	
3599	LOGO PLATE	
1521-#	SPLASHBACK	REFER TO COLOUR LEGEND FOR COLOUR OPTIONS
15451-#	48" CRESTING PANEL	REFER TO COLOUR LEGEND FOR COLOUR OPTIONS
16071-#	CABINET DOOR PANEL	NOT FIELD REPLACEABLE - MUST ORDER DOOR ASSEMBLY 69211-#
69211-#	CABINET DOOR ASSEMBLY	ASSEMBLY
H-315	EYE BOLT	
H-74	BRASS BUSHING	
H-741	SPRING BUSHING	
COLOUR LEGEND		
1	ALMOND	
2	WHITE	
3	RED	
4	GREEN	
5	BLUE	
6	BLACK	
7	JADE - DISCONTINUED	
9	YELLOW - DISCONTINUED	

REV 060209

DESCRIPTION

1902 TOP ASSEMBLY
1186

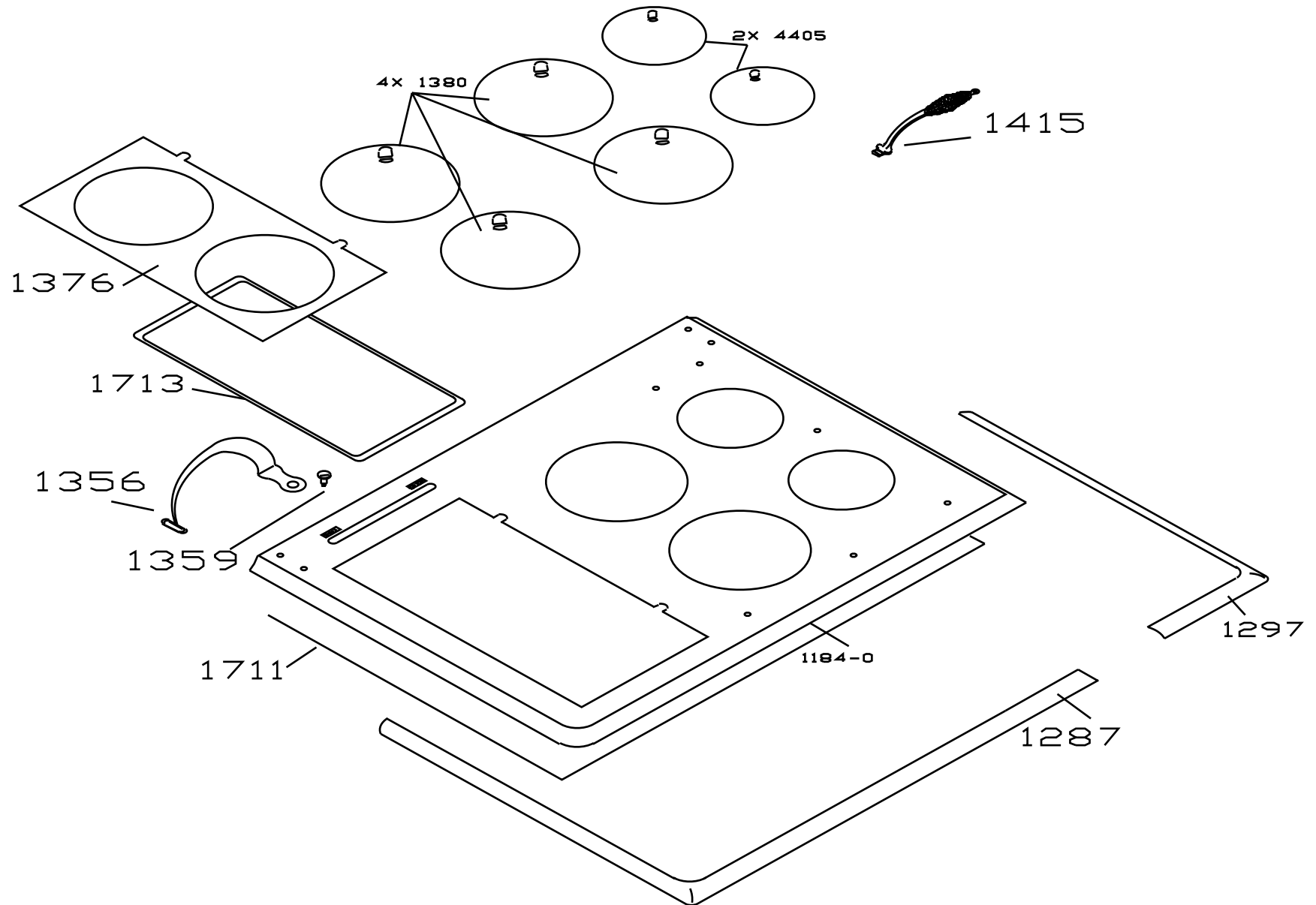


PAGE ID 21903		1902 TOP ASSEMBLY- 1186	
PART # / ITEM #	DESCRIPTION	NOTES	
1277	TOWEL STRIP - NICKLE		
1289	COOKING SURFACE BAND		
1358	KEYPLATE LIFT HANDLE		
1359	LEFT HANDLE SCREW		
1376	KEYPLATE		
1380	9.5" LID		
1415	LID LIFTER		
1711	FIBRE TAPE GASKET - 1/8" X 1/2"		
1713	FIBERGLASS ROPE GASKET - 1/4"		
4405	7 3/4" LID		
1184-0	1 PIECE CAST TOP		
COLOUR LEGEND			
1	ALMOND		
2	WHITE		
3	RED		
4	GREEN		
5	BLUE		
6	BLACK		
7	JADE - DISCONTINUED		
9	YELLOW - DISCONTINUED		

REV 060209

DESCRIPTION

1903 TOP ASSEMBLY
1187

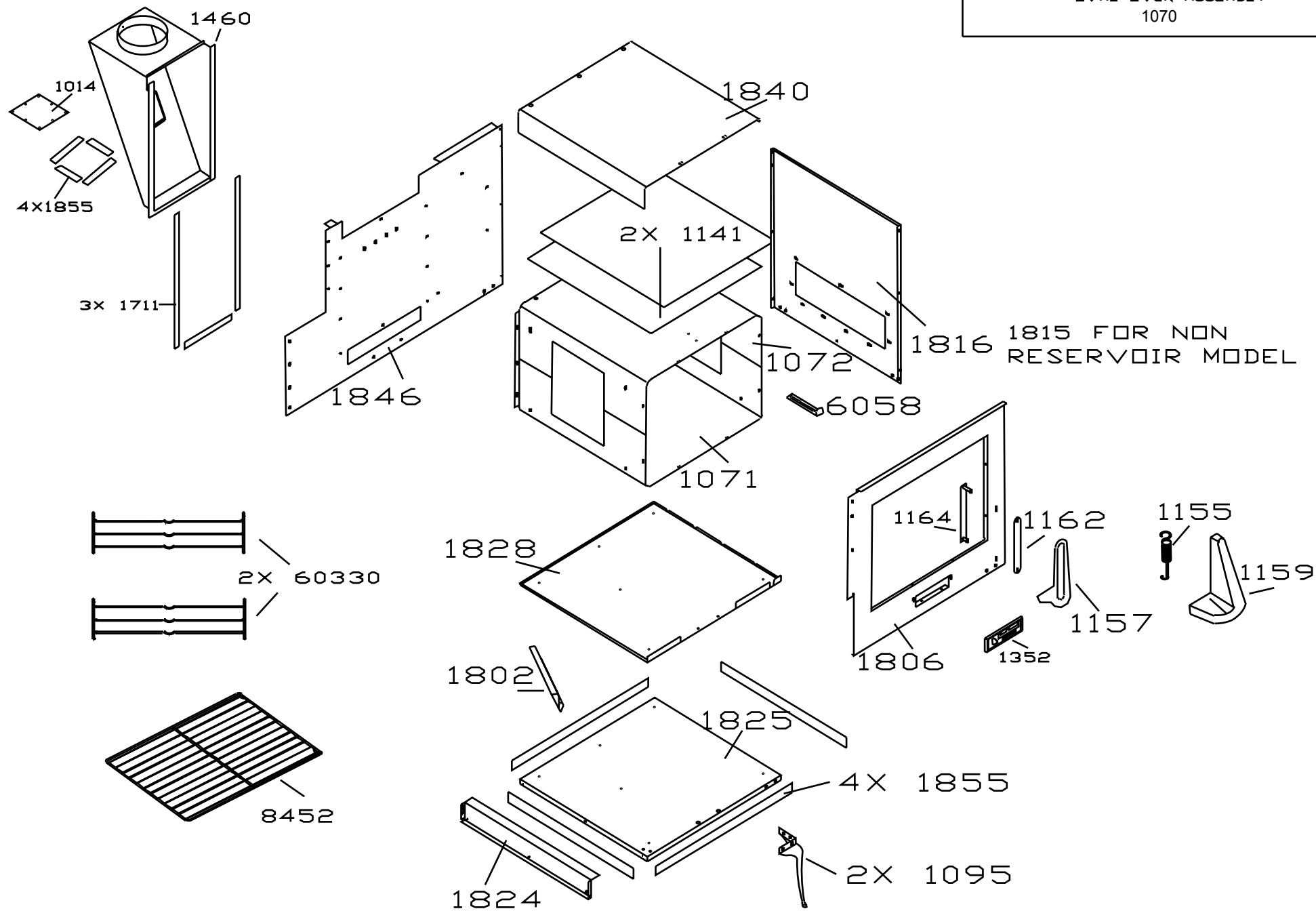


PAGE ID 31903		1903 TOP ASSEMBLY- 1187	
PART # / ITEM #	DESCRIPTION	NOTES	
1287	COOKING SURFACE BAND - NICKLE		
1297	RESERVOIR BAND - NICKLE		
1356	LIFT HANDLE		
1359	LEFT HANDLE SCREW		
1376	KEYPLATE		
1380	9.5" LID		
1415	LID LIFTER		
1711	FIBRE TAPE GASKET - 1/8" X 1/2"		
1713	FIBERGLASS ROPE GASKET - 1/4"		
4405	7 3/4" LID		
1184-0	1 PIECE CAST TOP		
COLOUR LEGEND			
1	ALMOND		
2	WHITE		
3	RED		
4	GREEN		
5	BLUE		
6	BLACK		
7	JADE - DISCONTINUED		
9	YELLOW - DISCONTINUED		

REV 060209

DESCRIPTION

OVAL OVEN ASSEMBLY
1070

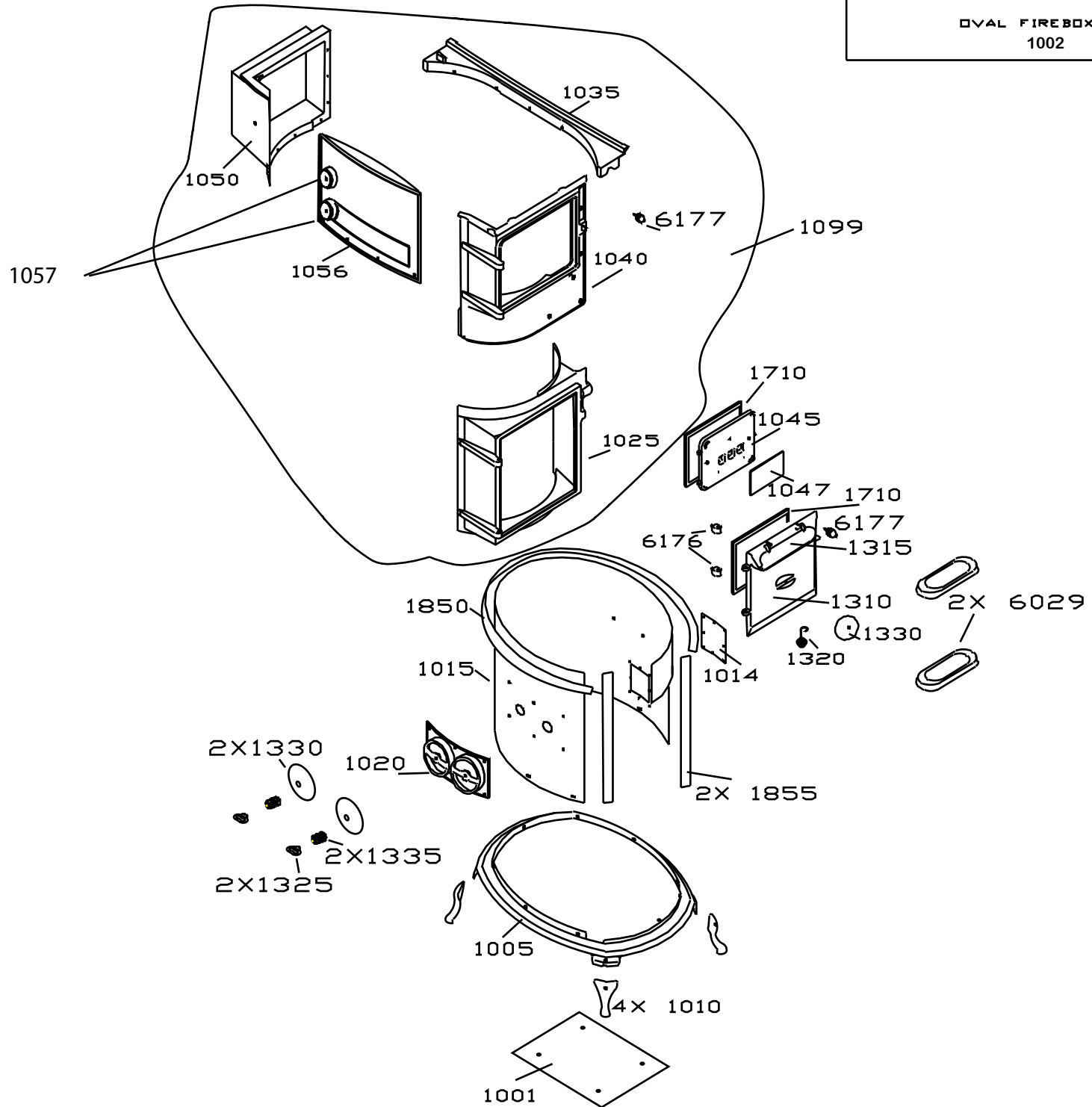


PAGE ID 41903 OVEN ASSEMBLY- 1070		
PART # / ITEM #	DESCRIPTION	NOTES
1014	FRESH AIR COVER PLATE	
1071	OVEN BOTTOM	
1072	OVEN TOP	
1095	STOVE LEG - LONG	
1141	FIBRE FRAX INSULATION - 19" X 19.5"	
1155	OVEN DOOR SPRING	
1157	HINGE COVER GASKET	
1159	RIGHT SIDE OVEN DOOR HINGE COVER	
1162	RIGHT WEAR PLATE	
1164	HINGE SUPPORT WELDMENT	
1352	CLEAN OUT DOOR	
1460	FLU WELDMENT	
1711	FIBRE TAPE GASKET - 1/8" X 1/2"	
1802	AIR DEFLECTOR	
1806	FRONT PANEL	
1815	RH SIDE PANEL	NON RESERVOIR MODEL ONLY
1816	RH SIDE PANEL	RESERVOIR MODEL ONLY
1824	BARRIER PLATE	
1825	BASE PANEL	
1828	ASH TRAY	
1840	CAPPING PANEL	
1846	BACK PANEL	
1855	FIBRE FRAX - 1" X 33"	
6058	OVEN DOOR STOP	
8452	OVEN RACK	
60330	OVEN RACK SUPPORT	
COLOUR LEGEND		
1	ALMOND	
2	WHITE	
3	RED	
4	GREEN	
5	BLUE	
6	BLACK	
7	JADE - DISCONTINUED	
9	YELLOW - DISCONTINUED	

REV 060209

DESCRIPTION

OVAL FIREBOX ASSEMBLY
1002

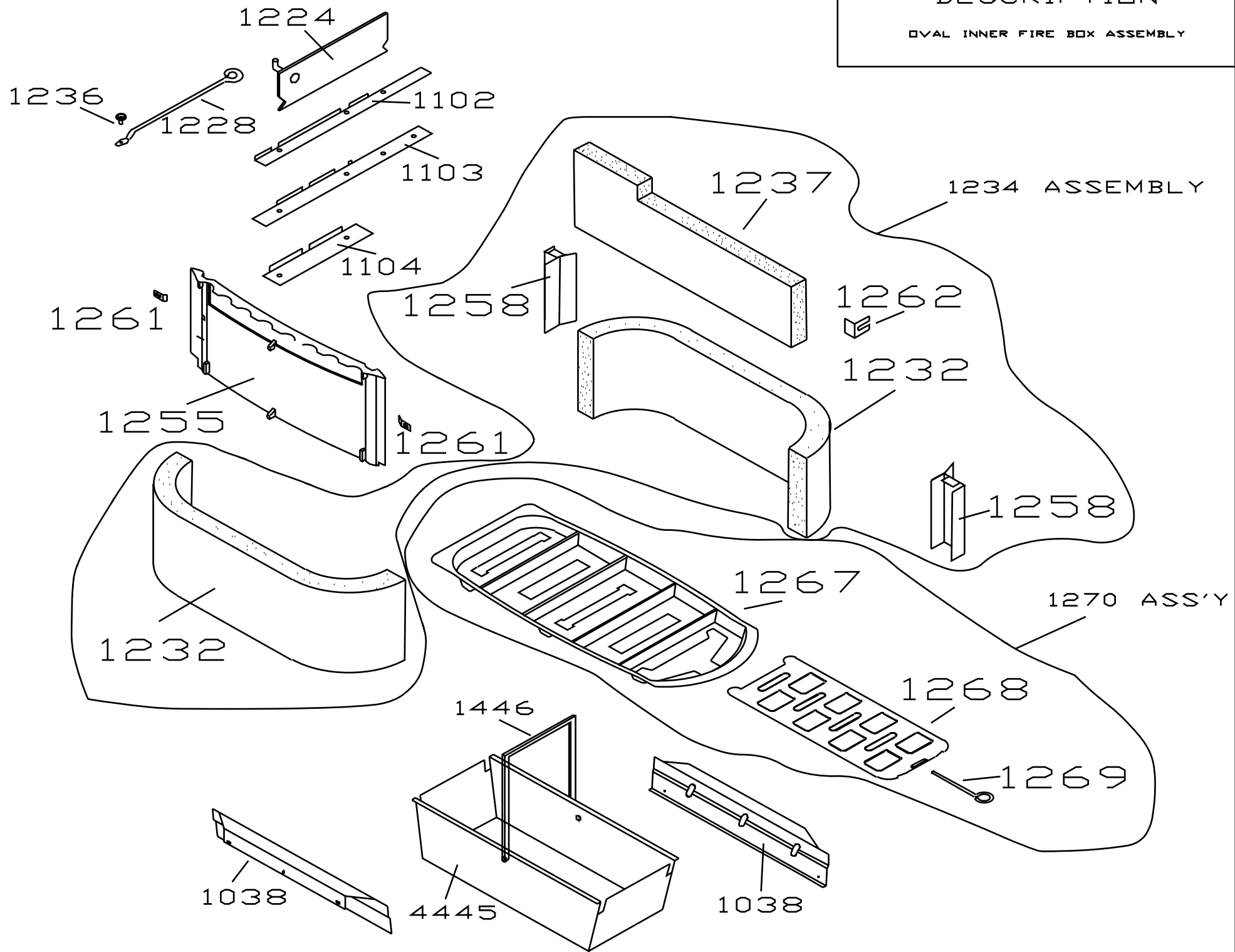


PAGE ID 51903 FIREBOX ASSEMBLY- 1002		
PART # / ITEM #	DESCRIPTION	NOTES
1001	BOTTOM FIREBOX HEATSHIELD	
1005	FIREBOX BASE CASTING	
1010	SHORT LEG	
1014	FRESH AIR COVER	
1015	FIREBOX WRAPAROUND	
1020	LOWER BELL DAMPER WELDMENT	
1025	LOWER FIREBOX CASTING	PART OF 1099 ASSEMBLY
1035	FIREBOX OVEN SUPPORT CASTING	PART OF 1099 ASSEMBLY
1040	UPPER FIREBOX CASTING	PART OF 1099 ASSEMBLY
1045	INTERIOR FIREDOOR	
1047	FIREDOOR COVER PLATE	
1050	FIREBOX EXTENSION CASTING	PART OF 1099 ASSEMBLY
1056	EXTERIOR FIREBOX CASTING	PART OF 1099 ASSEMBLY
1099	FIREBOX WELDMENT	ASSEMBLY
1310	ASH PAN DOOR	
1315	ASH PAN DOOR FLAP	
1320	WIRE SPRING HANDLE	
1325	BELL DAMPER HANDLE W/ROD	
1330	BELL DAMPER	
1335	BELL DAMPER TENSION SPRING	
1710	FIBREGLASS ROPE GASKET - 3/8"	3FT FOR ASH DOOR & 3 FT FOR FIREDOOR
1850	FIBRE FRAX - 1/2" X 33"	
1855	FIBRE FRAX - 1" X 33"	
6029	ASH CATCH	
6176	ASH DOOR HINGE	
6177	ASH DOOR STRIKER	1 FOR 1099 ASSEMBLY AND 1 FOR ASH DOOR
COLOUR LEGEND		
1	ALMOND	
2	WHITE	
3	RED	
4	GREEN	
5	BLUE	
6	BLACK	
7	JADE - DISCONTINUED	
9	YELLOW - DISCONTINUED	

REV 060209

DESCRIPTION

OVAL INNER FIRE BOX ASSEMBLY

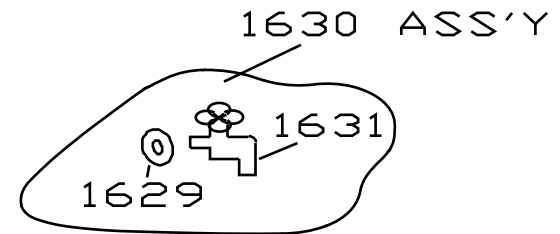
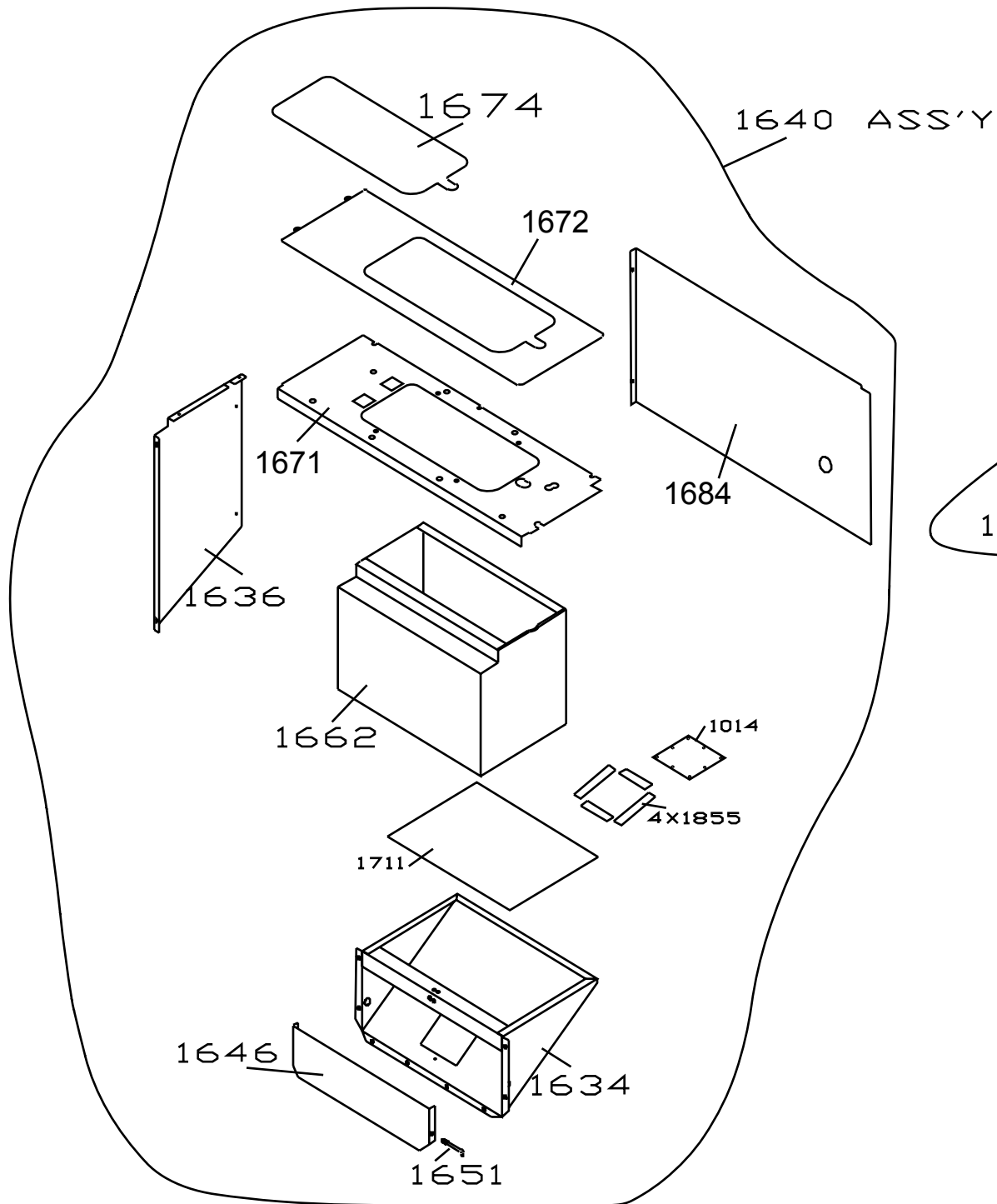


PAGE ID 61903 INNER FIREBOX ASSEMBLY		
PART # / ITEM #	DESCRIPTION	NOTES
1038	LH & RH GRATE SUPPORT SIDE	
1102	DAMPER SLIDE GUIDE - TOP SECTION	
1103	DAMPER SLIDE GUIDE - MIDDLE	
1104	DAMPER SLIDE GUIDE - BOTTOM	
1224	DAMPER PLATE WELDMENT	
1228	DAMPER ARM	
1232	LEFT/RIGHT OVAL SPLIT BRICK	PART OF 1234 ASSEMBLY
1234	OVAL FIREBRICK ASSEMBLY	ASSEMBLY
1236	SLIDER DAMPER KNOB	
1237	UPPER RIGHT FIREBRICK	
1255	LEFT SIDE FIREBOX CAST LINING	
1258	OVAL BRICK CLIP	PART OF 1234 ASSEMBLY
1261	LEFT LINER CLIP	
1262	RIGHT FIREBRICK CLIP	
1267	WOOD GRATE FRAME	PART OF 1270 ASSEMBLY
1268	WOOD GRATE SLIDE	PART OF 1270 ASSEMBLY
1269	WOOD GRATE PULL	PART OF 1270 ASSEMBLY
1270	WOOD GRATE ASSEMBLY	ASSEMBLY
1446	ASH PAN HANDLE	
4445	ASH PAN	
COLOUR LEGEND		
1	ALMOND	
2	WHITE	
3	RED	
4	GREEN	
5	BLUE	
6	BLACK	
7	JADE - DISCONTINUED	
9	YELLOW - DISCONTINUED	

REV 060209

DESCRIPTION

RESERVOIR ASSEMBLY

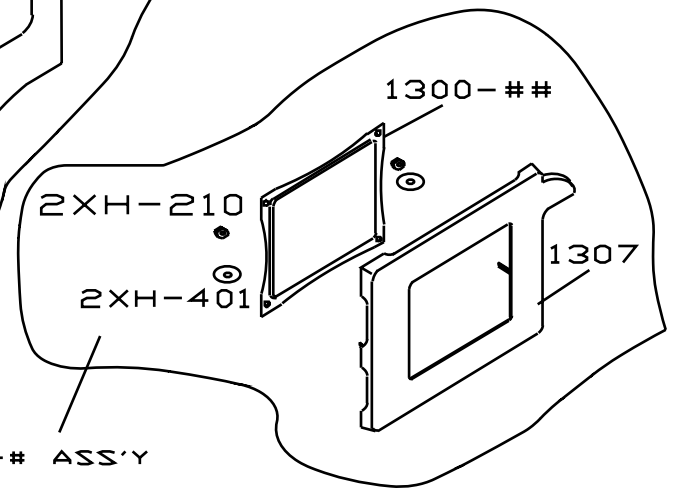
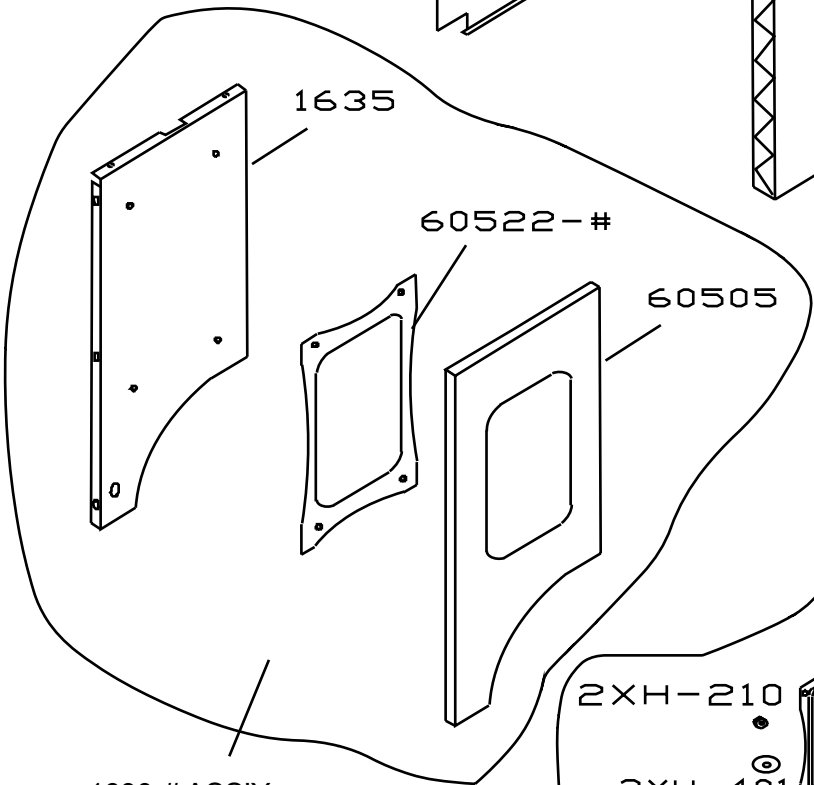
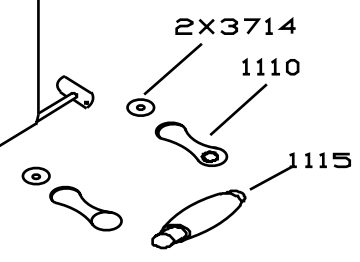
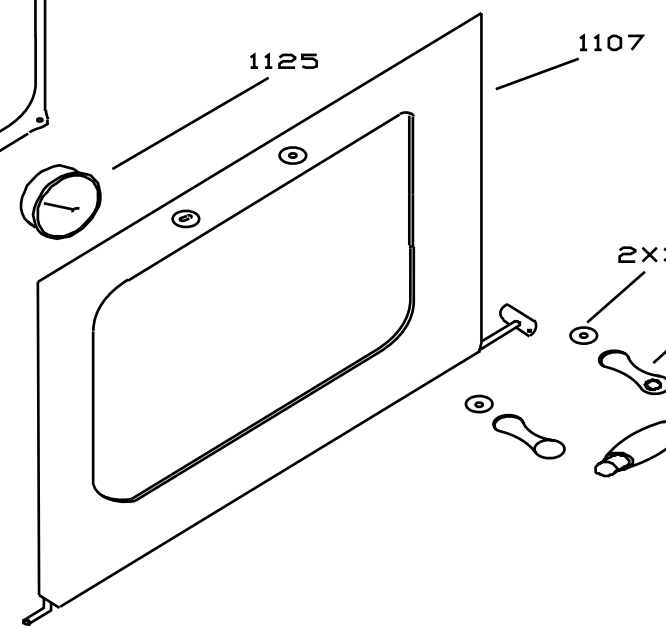
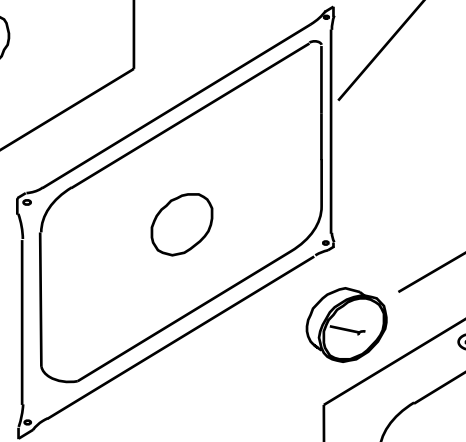
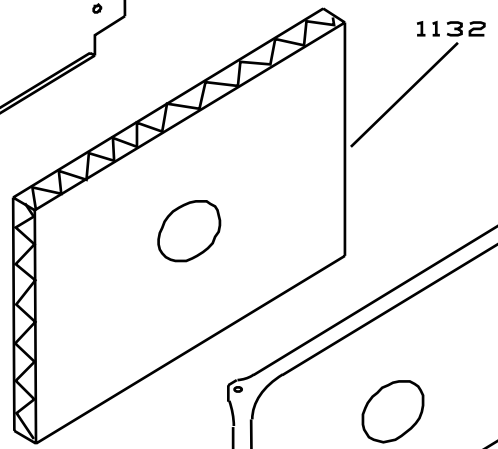
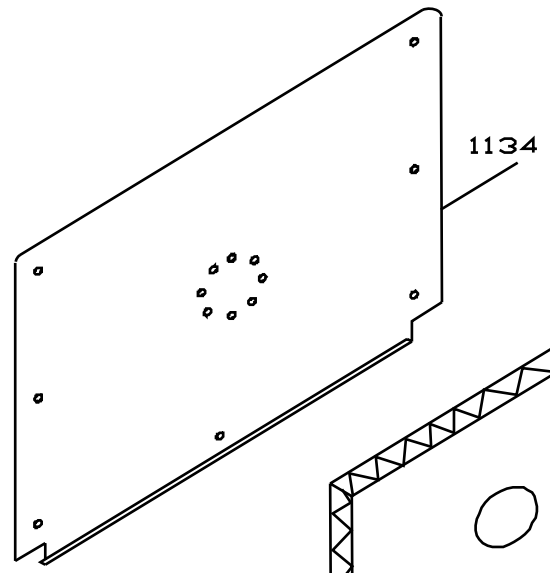


PAGE ID 71903		RESERVOIR ASSEMBLY	
PART # / ITEM #	DESCRIPTION	NOTES	
1014	FRESH AIR COVER PLATE	PART OF 1640 ASSEMBLY	
1629	ESCUTCHEON	PART OF 1630 ASSEMBLY	
1630	CHROME PLATED TAP ASSEMBLY	ASSEMBLY	
1631	CHROME PLATED TAP	PART OF 1630 ASSEMBLY	
1634	BOTTOM RESERVOIR HOUSING	PART OF 1640 ASSEMBLY	
1636	REAR RESERVOIR MOUNTING	PART OF 1640 ASSEMBLY	
1646	RESERVOIR DAMPER WELDMENT	PART OF 1640 ASSEMBLY	
1651	RESERVOIR CONTROL LEVER	PART OF 1640 ASSEMBLY	
1662	COPPER RESERVOIR TANK	PART OF 1640 ASSEMBLY	
1674	RESERVOIR LID WELDMENT	PART OF 1640 ASSEMBLY	
1711	FIBRE TAPE GASKET - 1/8" X 1/2"	PART OF 1640 ASSEMBLY	
1855	FIBRE FRAX - 1" X 38"	PART OF 1640 ASSEMBLY	
1640	RESERVOIR ASSEMBLY	ASSEMBLY	
1671	RESERVOIR BASE PLATE	PART OF 1640 ASSEMBLY	
1672	RESERVOIR UPPER FRAME	PART OF 1640 ASSEMBLY	
1684	RESERVOIR SIDE PANEL		
COLOUR LEGEND			
1	ALMOND		
2	WHITE		
3	RED		
4	GREEN		
5	BLUE		
6	BLACK		
7	JADE - DISCONTINUED		
9	YELLOW - DISCONTINUED		

REV 060209

DESCRIPTION

OVAL DOOR ASSEMBLIES
1101



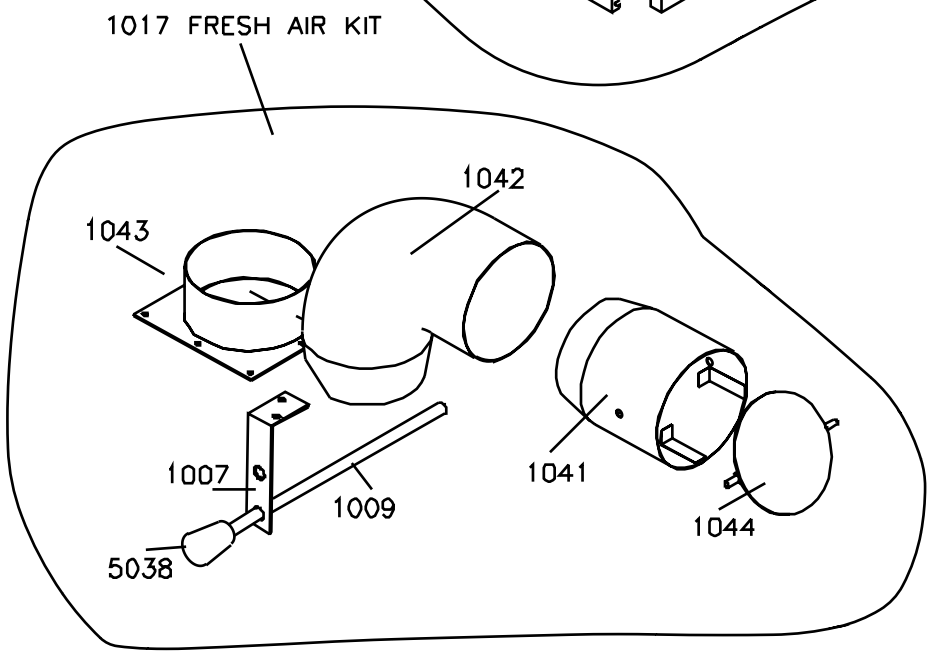
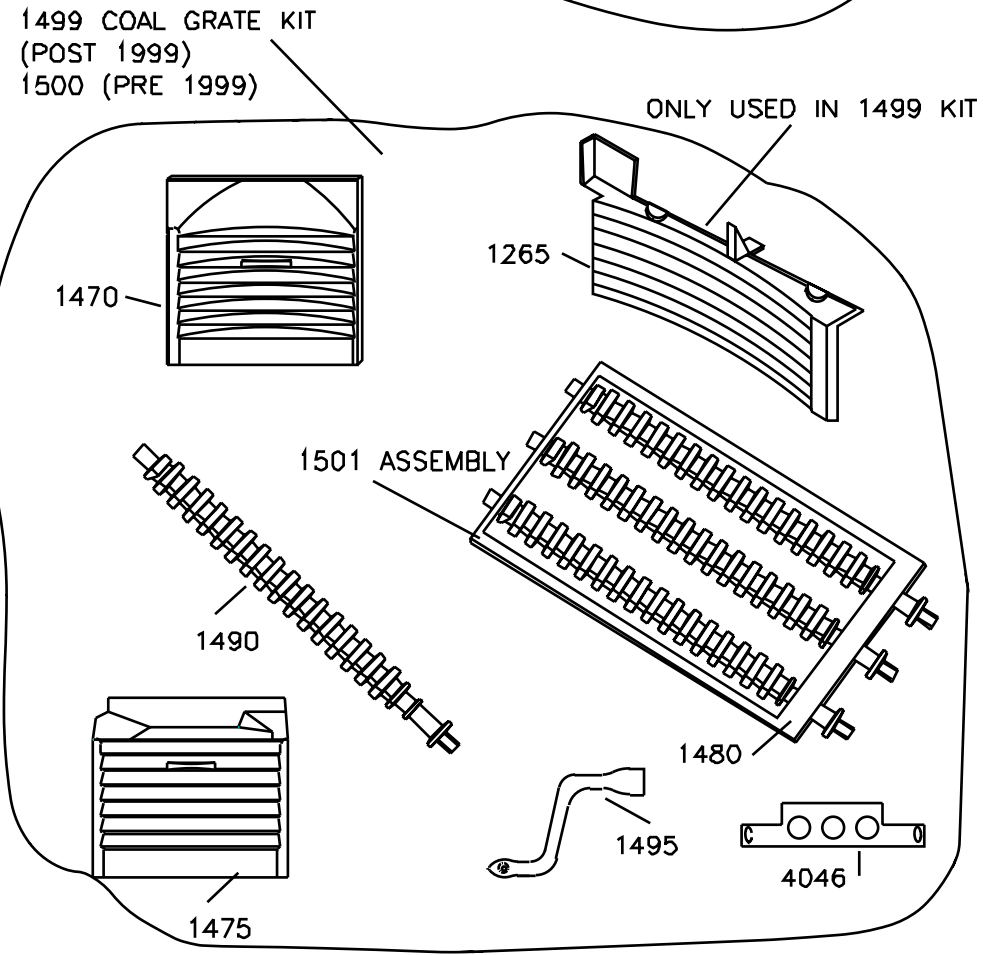
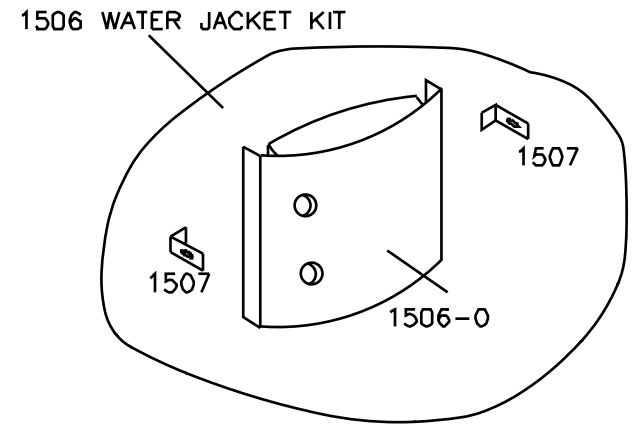
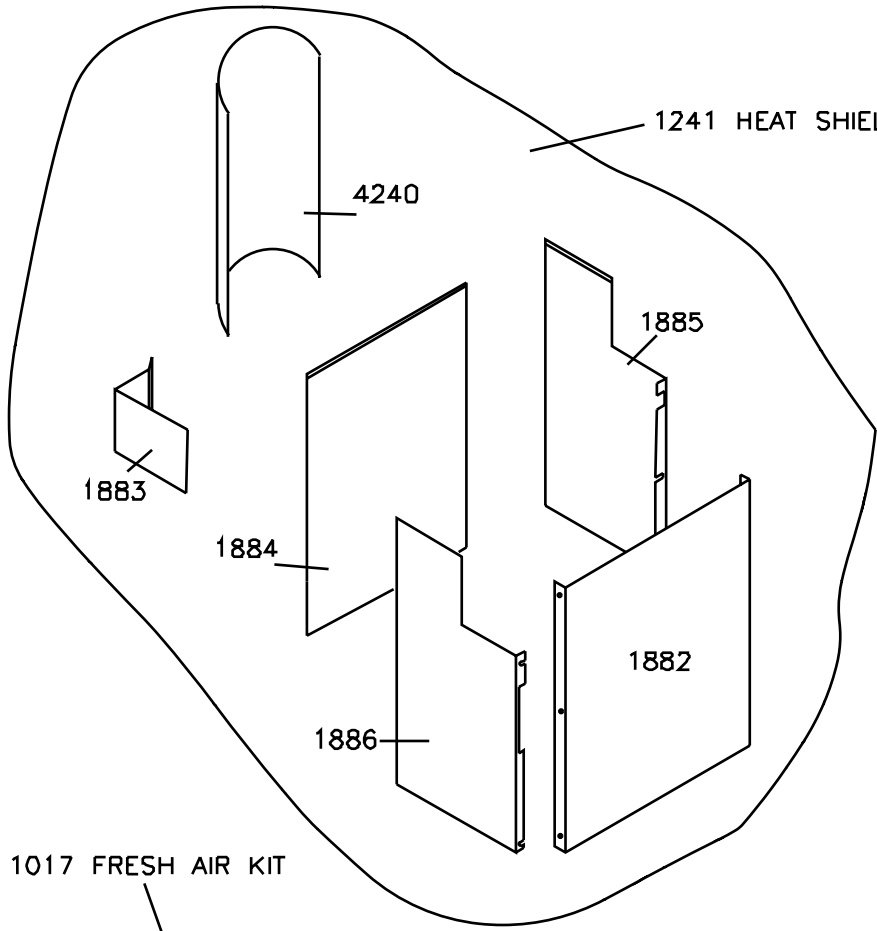
1690-# ASS'Y

1301-# ASS'Y

PAGE ID 81903 OVEN DOOR & FIREDOOR ASSEMBLY- 1101		
PART # / ITEM #	DESCRIPTION	NOTES
1107	OVEN DOOR FRAME - NICKLE	
1110	OVEN DOOR HANDLE STANCHION	
1115	HARDWOOD OVEN DOOR HANDLE	
1120	OVEN DOOR COLOUR PANEL	REFER TO COLOUR LEGEND FOR COLOUR OPTIONS
1125	OVEN DOOR THERMOMETER	
1132	OVEN DOOR INSULATION	
1134	OVEN DOOR INNER BACK	
1307	FIREDOOR FRAME - NICKLE	
3714	FIBER WASHER .937" OD X .188 ID	
1300-##	FIREDOOR COLOUR PANEL	
1301-#	FIREDOOR ASSEMBLY	
H-210	LOCKNUT 10-24 KEPS - ZINC	
H-401	WASHER 5/16" ID X 3/4" OD - ZINC	
1635	FRONT RESERVOIR SUPPORT PANEL	MUST ORDER COMPLETE RESERVOIR ASSEMBLY 1690-#
60522-#	RESERVOIR BUBBLE PANEL	MUST ORDER COMPLETE RESERVOIR ASSEMBLY 1690-#
60505	RESERVOIR FRONT	MUST ORDER COMPLETE RESERVOIR ASSEMBLY 1690-#
COLOUR LEGEND		
1	ALMOND	
2	WHITE	
3	RED	
4	GREEN	
5	BLUE	
6	BLACK	
7	JADE - DISCONTINUED	
9	YELLOW - DISCONTINUED	

REV 091109

DESCRIPTION
 OVAL ACCESSORIES



PAGE ID 91903		ACCESSORIES
PART # / ITEM #	DESCRIPTION	NOTES
1241	HEATSHIELD KIT	ASSEMBLY
4240	FLU SHIELD	
1883	SUPPORT BRACKET	
1884	BACK PANEL HEATSHIELD	
1886	LEFT PANEL HEATSHIELD	
1885	RIGHT PANEL HEATSHIELD	
1882	INNER SHIELD	
1506	STAINLESS WATER JACKET KIT	ASSEMBLY
1507	WATER JACKET CLIP	
1506-0	WATER JACKET	
1499	COAL GRATE KIT	FOR UNITS POST 1999
1500	COAL GRATE KIT	FOR UNITS PRE 1999
1470	FRONT CAST COAL LINING	
1501	COAL GRATE ASSEMBLY	
1490	COAL GRATE BAR	
1475	REAR CAST COAL LINING	
1265	RIGHT SIDE FIREBOX LINING	ONLY IN KIT #1499
1480	COAL GRATE RETAINER CLIP	
1495	SHAKER CRANK	
4046	FIREDOOR SLIDER DAMPER	
1017	FRESH AIR KIT	ASSEMBLY
1043	BASE RING WELDMENT	
1042	90° - 4" 26GA ELBOW	
1007	DAMPER ROD BRACKET	
1009	DAMPER ROD	
5038	WOOD KNOB	
1041	AIR VALVE HOUSING	
1044	4" SPIN ON COLLAR W/DAMPER	
COLOUR LEGEND		
1	ALMOND	
2	WHITE	
3	RED	
4	GREEN	
5	BLUE	
6	BLACK	
7	JADE - DISCONTINUED	
9	YELLOW - DISCONTINUED	

REV 060209