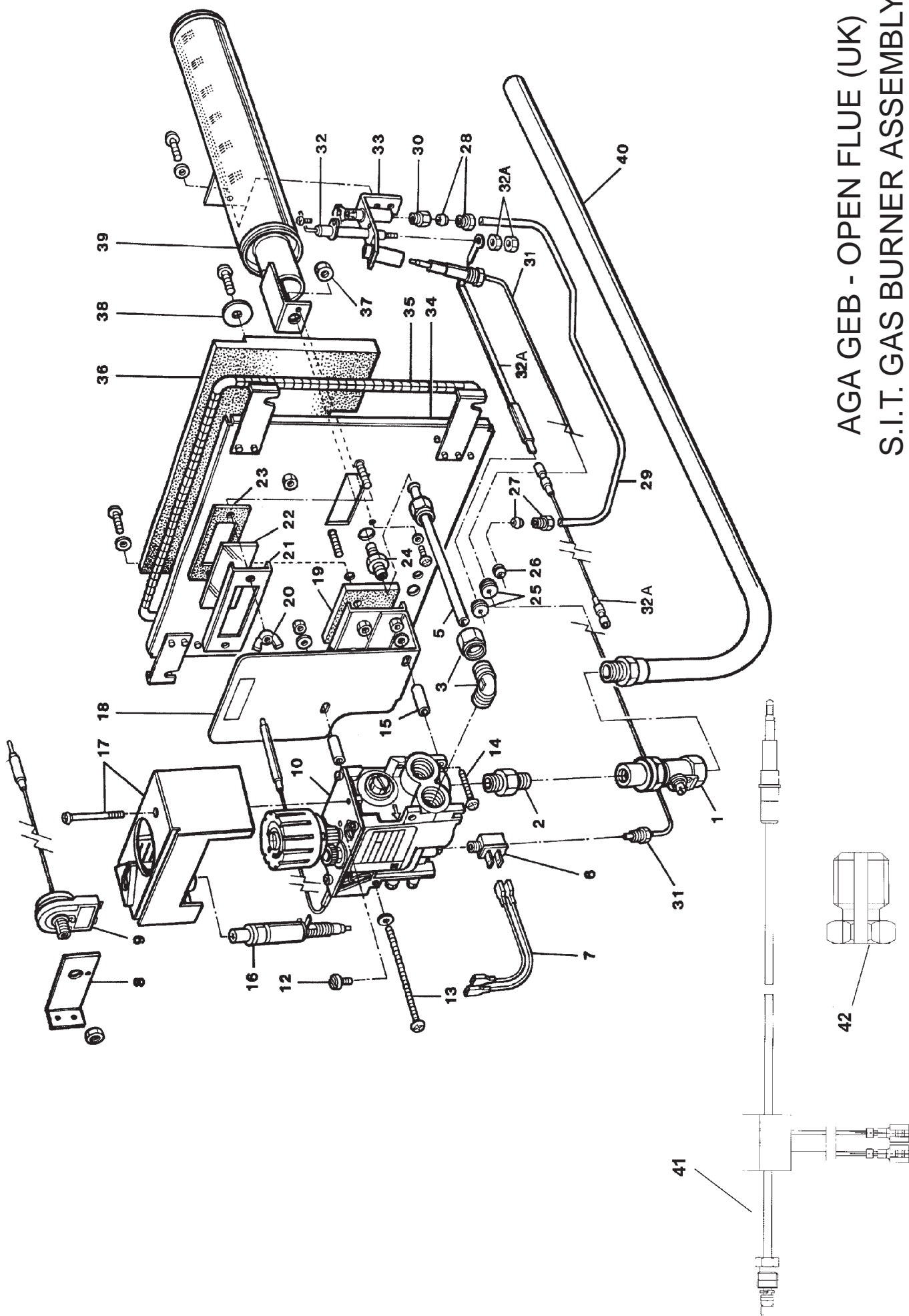


**AGA GEB OPEN FLUE  
- UK  
(S.I.T. GAS BURNER)**

***SPARE PARTS  
MANUAL***

# AGA GEB - OPEN FLUE (UK) S.I.T. GAS BURNER ASSEMBLY



**AGA GEB OPEN FLUE (UK)  
S.I.T. GAS BURNER ASSEMBLY**

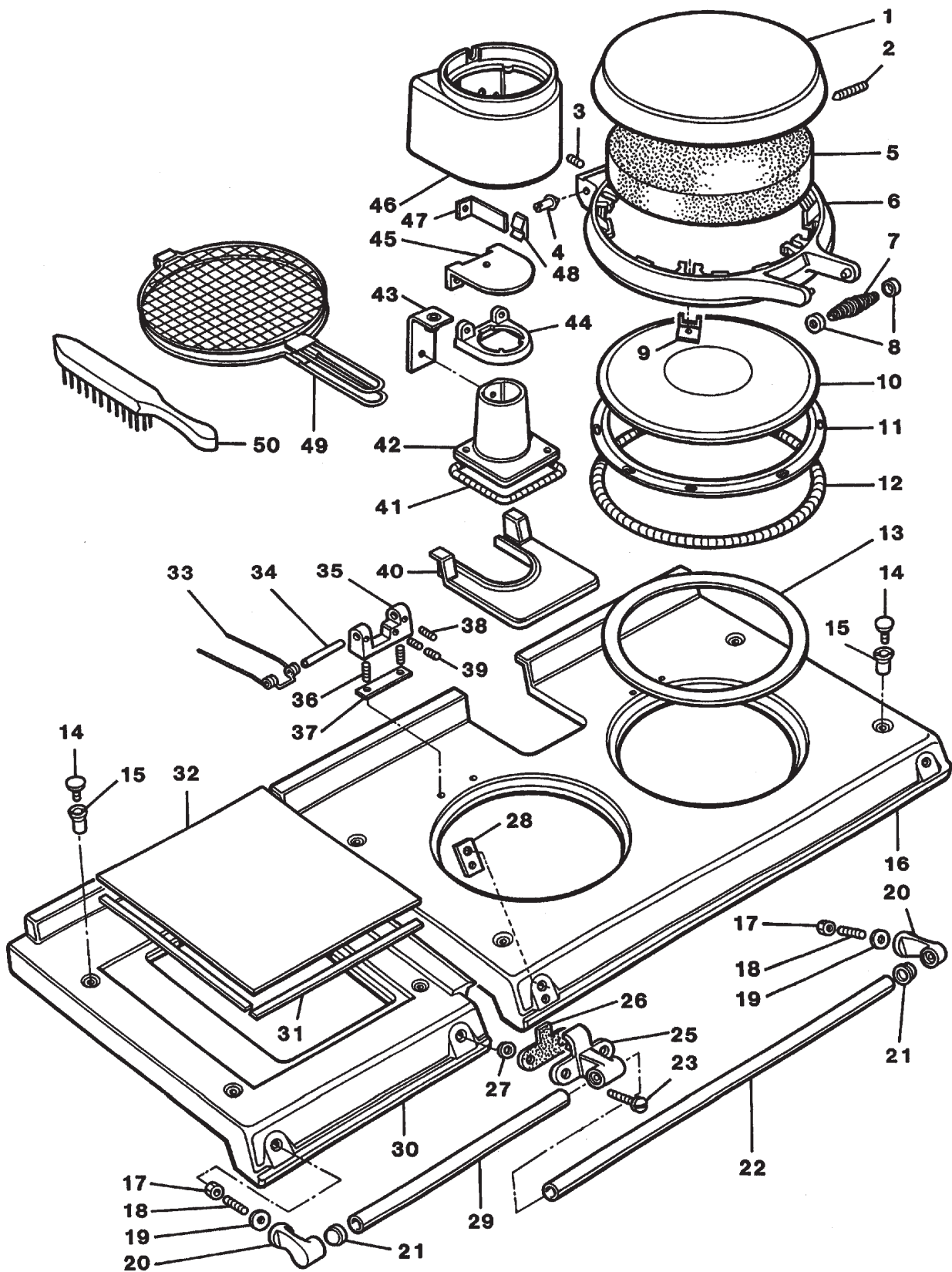
**OCTOBER 2010**

<b>ITEM No.</b>	<b>CAT No.</b>	<b>DESCRIPTION</b>	<b>PRODUCT CODE</b>
1	A1219	GAS TAP 1/4" BSP - NG/LPG	AG4M26390
2	A2062	3/8" BSP x 1/4" BSP HEX NIPPLE	AG4M35636
3	A2170	3/8" MALE x 8mm O/D TUBE COMP ELBOW	AG4M210241
5	A2969	BURNER FEED PIPE	AG4M210231
6	A2678	THERMOCOUPLE INTERRUPTOR BLOCK ASSY - UP TO M08-087	AG4M210291
7	NCA	FLUE STAT WIRE ASSEMBLY - UP TO M08-087	AG4M211291
8	A2664	SPIILAGE STAT MOUNTING BRACKET	AG2M210388
9	A2930	FLUE SPILLAGE THERMOSTAT	AG4T210686
10	A2160	GAS VALVE SIT	AG4M210175
12	A2154	BYPASS SCREW - SIZE 1.0 NG (MODEL GC/GE)	KBYP210181
	A2153	BYPASS SCREW - SIZE 1.2 NG (MODEL GCB/GEB)	KBYP210180
	A4051	BYPASS SCREW - SIZE 0.6 LPG (MODEL GC/GE)	KBYP211274
	A2155	BYPASS SCREW - SIZE 0.8 LPG (MODEL GCB/GEB)	KBYP210182
13	A2405	M5 x 80 LG PAN HD SCREW	KPAN210238
14	NCA	M5 x 35 LG PAN HD SCREW	NCA
15	A2166	SPACER	AG4M210201
16	A2172	PIEZO IGNITOR	AG4M210178
17	A2171	CONTROL COVER AND SCREW	AG4M210177
18	A2182	GAS BAFFLE ASSEMBLY	AG1M210208
19	A2162	INSULATION PAD - GAS V/V BAFFLE	JPAD210200
20	G1160	M5 WINGNUT	KNUT53000
21	G1094	SIGHT GLASS FRAME	AG2M210019
22	A1236	SIGHT GLASS	AG4M30840
23	A2204	SIGHT GLASS GASKET	AG4M210011
24	A2300	BURNER INJ CAT 31 SIZE 285 - BRAY NG (MODELS GC, GCB, GE)	AG4M210307
	A2299	BURNER INJ CAT 31 SIZE 330 - BRAY NG (MODEL GEB)	AG4M210314
	A2302	BURNER INJ CAT 15 SIZE 180 - BRAY LPG (MODELS GC, GCB, GE)	AG4M210324
	A2669	BURNER INJ CAT 15 SIZE 200 - BRAY LPG (MODEL GEB)	AG4M210342
25	A4046	GROMMET REEVITE	AG4M211223
26	A2165	GROMMET REEVITE RB16	AG4M210237
27	A2199	NUT & OLIVE FOR PILOT FEED TUBE - SIT	KNUT500003
28	NCA	NUT & OLIVE FOR PILOT FEED TUBE - JOHNSON PILOT (INCLUDED IN ITEM 33)	
29	A2169	PILOT FEED TUBE	AG4M210195
30	A4047	PILOT INJECTOR NG - (SPARES)	AG4M211226
	A4048	PILOT INJECTOR LPG - (SPARES)	AG4M211227
31	A2369	THERMOCOUPLE - LONG LIFE (KIT) (UP TO M08-087)	RG4M998603
32	A4049	IGNITION ELECTRODE - NG/LPG	AG4M211228
32A	A4103	ELECTRODE CONNECTOR STRIP/IGNITOR HT LEAD ASSY	AG4M211298
33	A4042	PILOT ASSEMBLY - NG	AG4M211221
	A4043	PILOT ASSEMBLY - LPG	AG4M211222
34	A4482	BURNER DOOR ASSEMBLY	AG1M211595
35	NCA	9mm x 840mm LINK ROPE THERMOSEAL	JTHR20438
36	A2163	BURNER DOOR INSULATION PAD	JPAD210196
37	R2199	1/8" BSP LOCKNUT	KNUT35297
38	R3983	M6 x 20 PLAIN WASHER	KWSR53393
39	A2168	GAS BURNER - FURIGAS	AG4M210236
40	A2173	GAS FEED PIPE	AG4M210197
	A4059	PILOT BURNER ASSY NG - (PRE M02-050)	AG9M998778
	A4060	PILOT BURNER ASSY LPG - (PRE M02-050)	AG9M998779

AGA GEB OPEN FLUE (UK)  
S.I.T. GAS BURNER ASSEMBLY

OCTOBER 2010

ITEM No.	CAT No.	DESCRIPTION	PRODUCT CODE
41	NCA	INTERRUPTED T/C ASSP (G1902230) - FROM M08-087	AG4M212036
42	A5475	SPLIT NUT FOR PILOT (G6032114) - FROM M08-087	AG4M212037

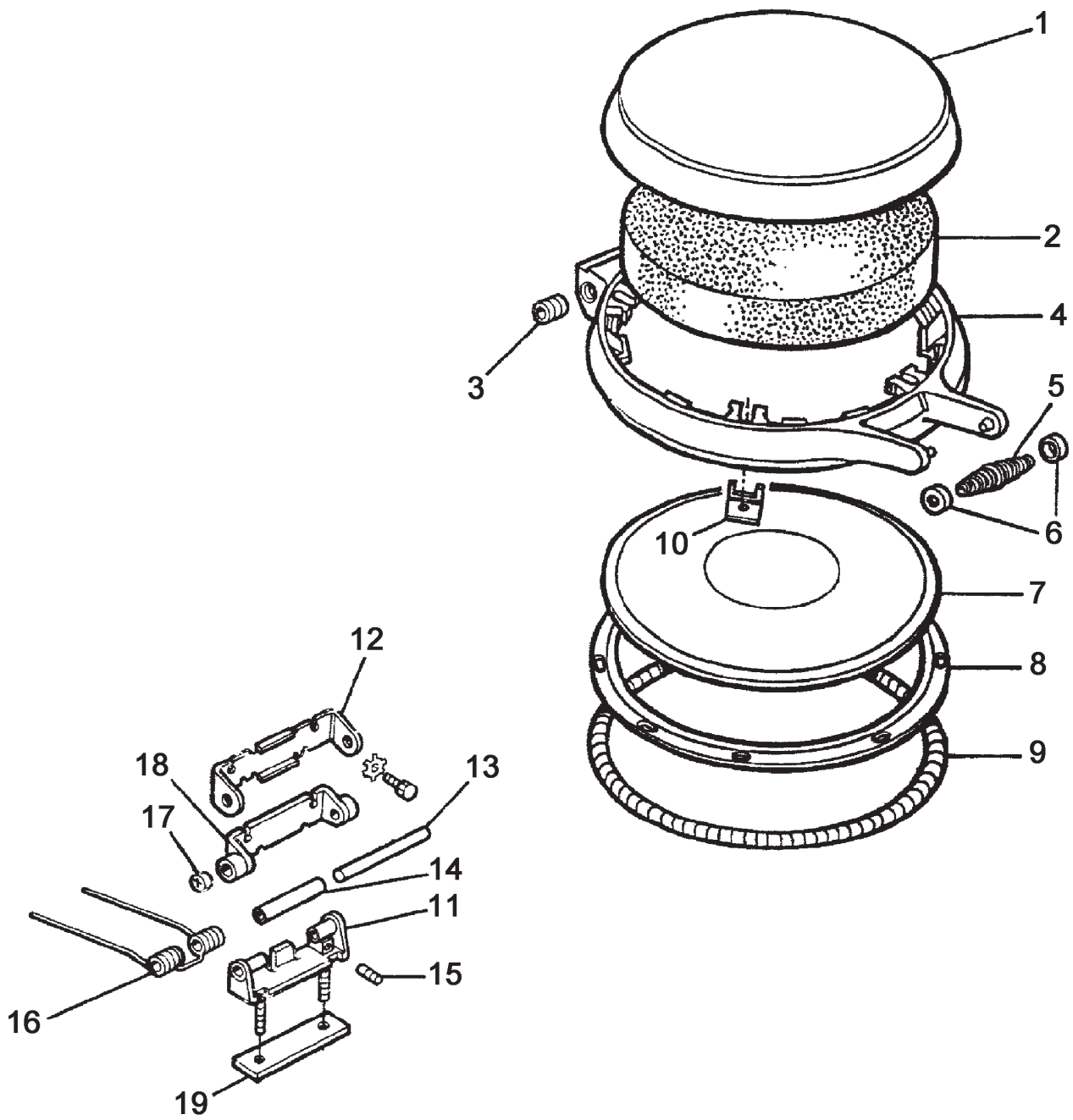


AGA GEB - OPEN FLUE (UK)  
 TOP PLATES  
 AGA HINGES & INSULATING COVERS (UP TO M05-008)

**AGA GEB - OPEN FLUE (UK)  
TOP PLATES, INSULATING LIDS**

**OCTOBER 2010**

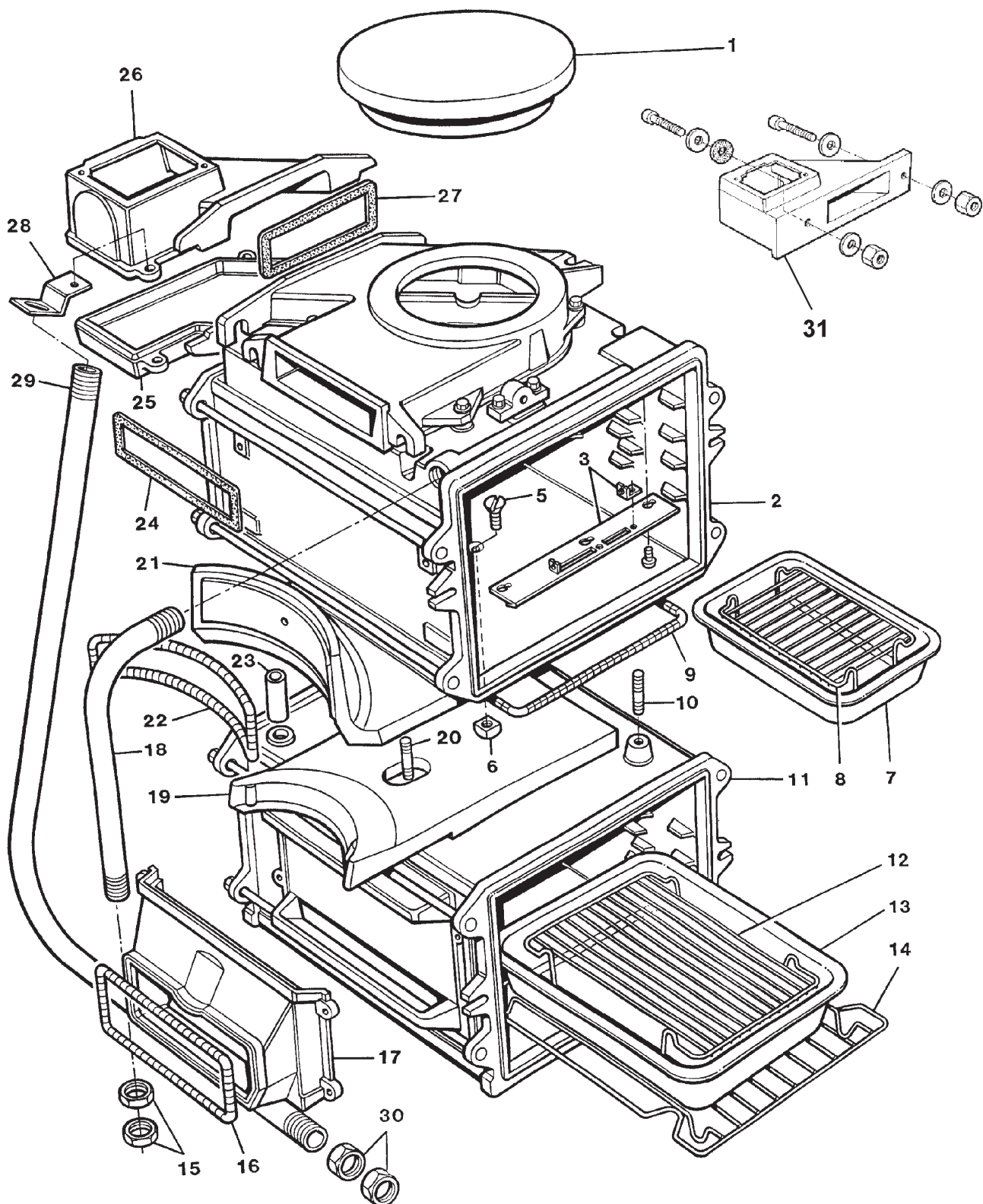
<b>ITEM No.</b>	<b>CAT No.</b>	<b>DESCRIPTION</b>	<b>PRODUCT CODE</b>
1	A3614	ST/STEEL INSULATING LID COVER	AG4M210905-K
	NCA	INSULATING LID (CI) - NOT SHOWN (95-98)	AG5E210387
	NCA	INSULATING LID (CI) - NOT SHOWN (98 ONWARDS)	AG5E210864
	NCA	INSULATING LID (CHROME) - NOT SHOWN	AG4M28101
	NCA	STEEL DOME ASSY COMPLETE	AG1M210917
2	A3283	GRUB SCREW SKT M10 x 25mm LG	KGRB500445
3	A2583	M6 x 6mm LG SKT GRUB CUP PNT GRUB	KGRB500437
4	A3501	ADJUSTABLE PIVOT BEARING	AG4M210620
5	A5074	DOME INSULATION PAD - 50mm	JPAD211934
6	A3511	INSULATING LID OUTER RING	AG5E210862
7	R3028	COIL HANDLE	RO4M340522
8	R3029	INSULATING LID HANDLE CUPS	RO4M340521
9	A3636	DOME CLAMPING BRACKET (ST/ST LIDS ONLY)	AG4M210904
10	A1632	INSULATING LID LINING RH	AS4M34760
11	A1647	INNER HOLDING RING	AS4M40980
12	A1863	DOME SEALING ROPE	JMAR20410
13	A1342	INSULATING RING	AG5M210840
14	A2119	CORNER STAY BUTTON 5/16" BSW	AG4M210228
15	A2123	CORNER STAY NUT 5/16 BSW	AG4M210244
16	A2246	TOP PLATE	AG5E210167
17	R2630	NUT M8 x 35 LG	KNUT53061
18	A4192	ALLTHREAD M8 x 35 LG	KSTD500010
19	A3664	WASHER M8 I/D SHAKEPROOF S/S	KWSR53346
20	A2314	HANDRAIL BRACKET	AG4M210853
21	A2975	VINYL END CAP (4-OFF)	AG4M210660
22	A2414	HANDRAIL EXTENDED COOKER	AG4M210445
23	A3109	SCREW M8 x 25mm - HANDRAIL JOINTING	KMIS500305
25	NCA	BRACKET - HANDRAIL JOINTING	AG4M210854
26	A2532	GASKET - HANDRAIL JOINTING	JGSG210523
27	A3044	JOINTING BRACKET WASHER	JWSR210469
28	A3738	HANDRAIL BRACKET PLATE	AG2M210467
29	A2415	HANDRAIL 25.4 DIA HOTCUPBOARD	AG4M210446
30	A2457	TOP PLATE - HOT CUPBOARD	AG5E210391
31	A3446	SEALING STRIP SHORT	JGSG210483
	A3445	SEALING STRIP LONG	JGSG210482
32	A2474	WARMING PLATE ASSY C/W SEALS	AG9M210402COMP
33	A3117	HINGE SPRING (ST/ST LID)	AG9M998347
	A3118	HINGE SPRING (CAST IRON LID) - NOT SHOWN	AG9M998348
34	A3134	HINGE SPINDLE	AG4M210775
35	A3184	HINGE BLOCK - INSUL. LID	AG5E210860
36	A2081	M6 x 25mm STUD	AG4M211021
37	A2589	HINGE BLOCK GASKET	JGSG210477
38	A2583	M6 x 6mm LG SKT GRUB SCREW	KGRB500437
39	A4101	M6 x 10mm LG SKT GRUB SCREW	KGRB50512
40	A1317	FLUE COLLAR - STD FLUE	AG5E1-9269
41	NCA	ROPE 5mm DIA x 455 mm LG	JTHR20393
42	A1316	FLUE OUTLET NOZZLE	AG1M211184
43	A2206	FLUE DIVERter FIXING BRACKET	AG2M210212
44	A1334	FLUE PIPE LOCATING RING	AG5V3-544
45	A1354	DIVERter HOOD BAFFLE PLATE	AG5V211182
46	A2990	DOWN DRAUGHT DIVERter HOOD (4" FLUE)	AG5E210825
47	A2872	STAT PHIAL SUPPORT BRACKET	AG2M210282
48	A3031	STAT PHIAL LOCATION CLIP	KCLP500283
49	A1843	TOASTER	EACS47380
50	A1841	WIRE BRUSH	EACS23230



AGA HINGES & INSULATING LIDS  
FROM MOD CHANGE M05-008





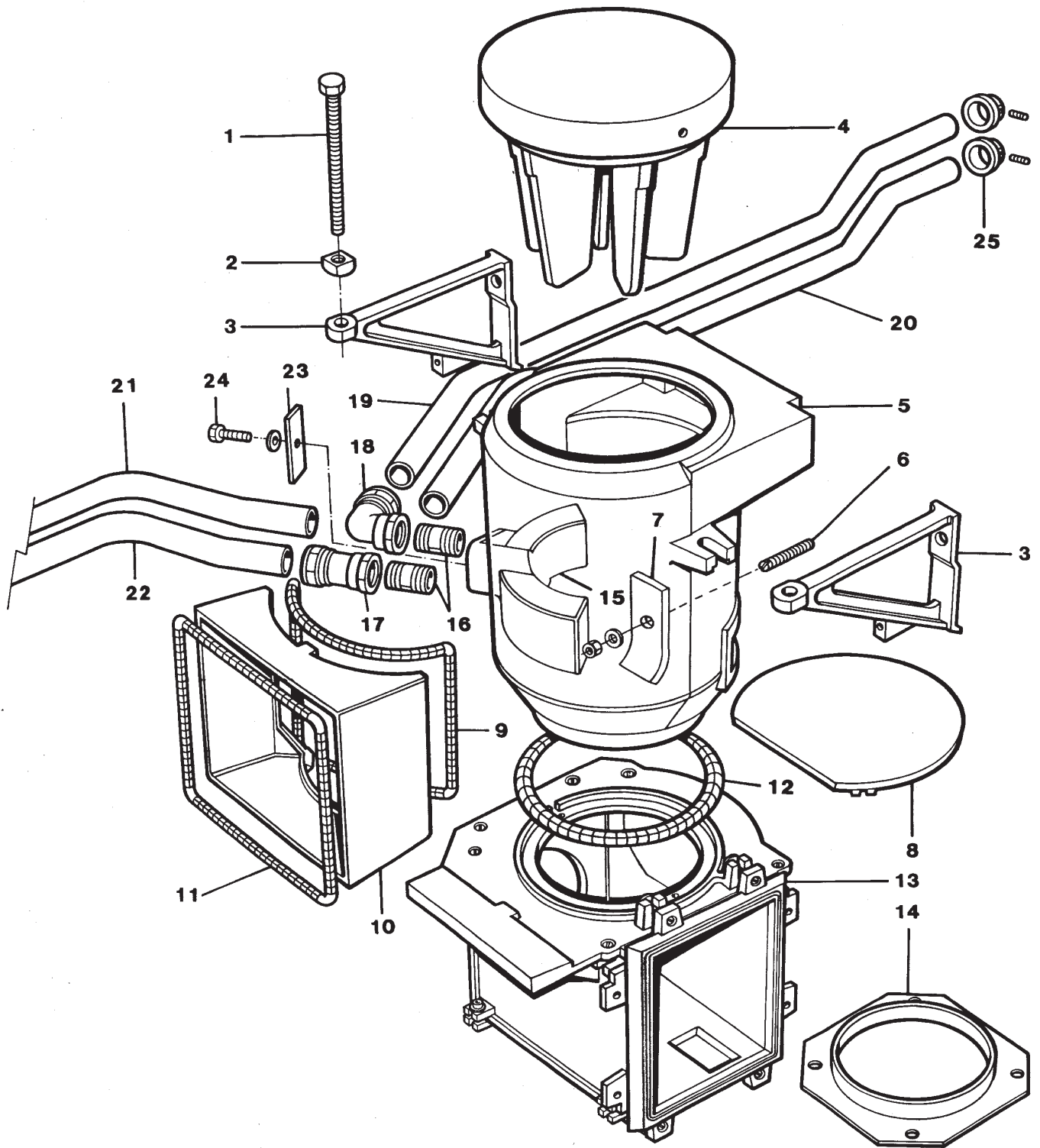


AGA GEB - OPEN FLUE (UK)  
 OVENS AND ACCESSORIES, SIMMERING PLATE

**AGA GEB - OPEN FLUE (UK)  
OVENS AND ACCESSORIES, SIMMERING PLATE**

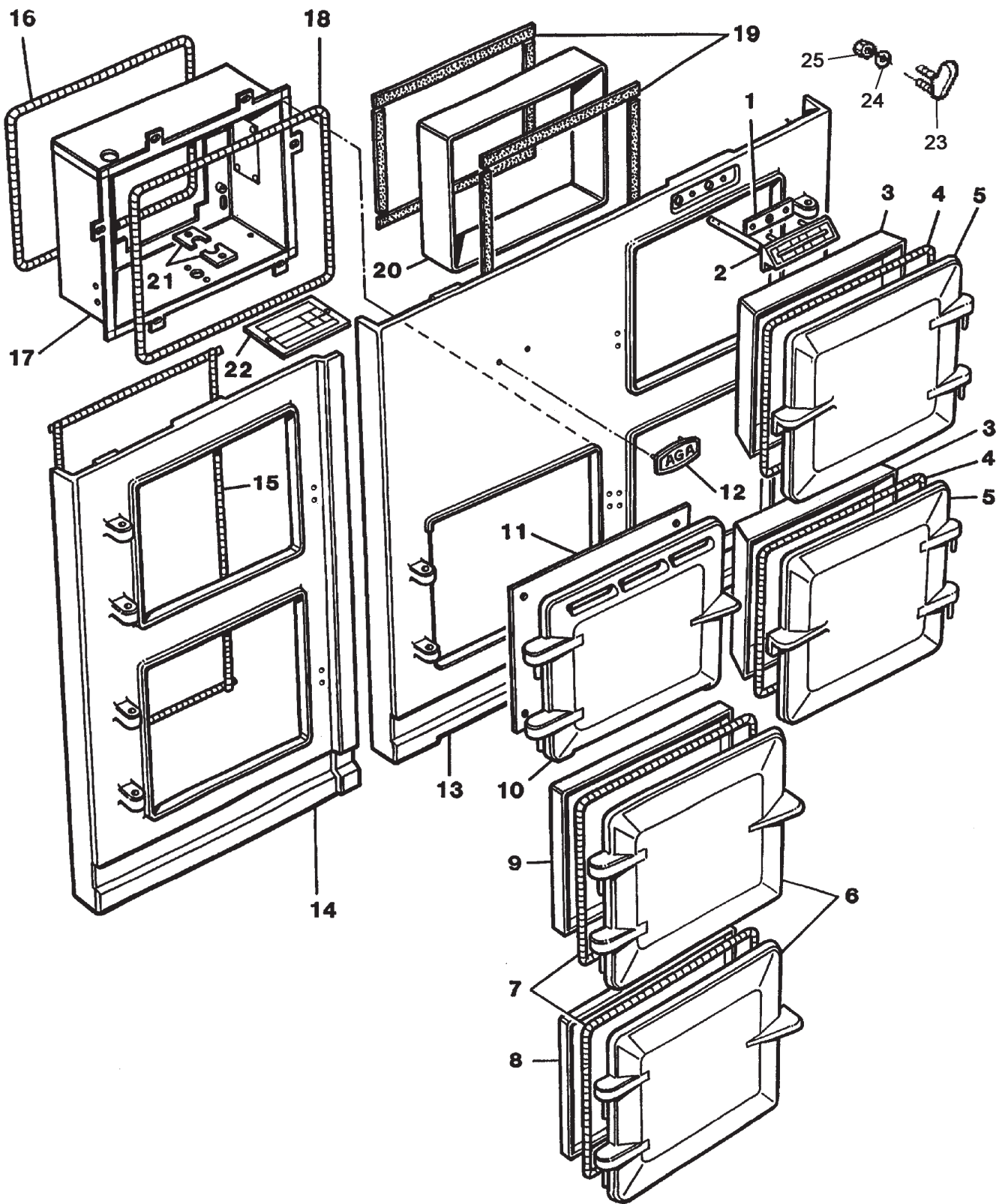
**OCTOBER 2010**

<b>ITEM No.</b>	<b>CAT No.</b>	<b>DESCRIPTION</b>	<b>PRODUCT CODE</b>
1	A1328	SIMMERING PLATE	AG5M2-7091
2	A3537	ROASTING OVEN ASSEMBLY	AG1M-RO-NF
3	A3739	PHIAL SECURING ANGLE (FROM MAY 2000)	AO2M220147
	A3723	STAT PHIAL SUPPORT ASSY (FROM MAY 2000)	AO1M220145
5	NCA	SCREW M12 x 30 LG CSK HD	NCA
6	NCA	M12 SQUARE NUT	NCA
7	A3284	ROASTING TIN - SMALL	EMTY530217
8	A2312	GRILL RACK - SMALL	AG4M210269
9	A2961	SEALING ROPE - 9mm DIA x 1165 LG	JTHR220116
10	NCA	SCREW M12 x 40mm CUP PNT SCKT HD	KGRB500338
11	A1827	BAKING OVEN ASSEMBLY	AS9O81105COMP
12	A2313	GRILL RACK - LARGE	AG4M210268
13	A3285	ROASTING TIN - LARGE	EMTY530218
14	A1282	OVEN GRID SHELF	AG4M41621
15	A3469	LOCKNUT 25mm CONDUIT HEX	KNUT35275
16	R4716	ROPE 13mm DIA x 24" LNG	JTHR20389
17	A2622	LH SIDE PLATE FILLER HOUSING	A05M1-14169
18	A1293	CONDUIT PHIAL TUBE	AG4M211880
19	A2141	BAKING OVEN HEAT CONDUCTING PLATE	AG5M210165
20	NCA	SCREW M12 x 40mm CUP PNT SCKT HD	KGRB500338
21	A2656	TOP OVEN HEAT CONDUCTING PLATE	AG5M210486
22	A1856	ROPE 10mm DIA x 762 LG	JCRP20403
23	A2929	BOTTOM OVEN VENT PIPE	AG4M210488
24	A2308	GASKET - OUTER BARREL	JGSG210327
25	NCA	BOTTOM HALF - FLUE MANIFOLD - SEE 31	AG5M211211
26	NCA	TOP HALF - FLUE MANIFOLD - SEE 31	AG5M211192
27	A2306	FLUE MANIFOLD GASKET	JGSG210328
28	A3277	STAT PHIAL GUIDE TUBE BRACKET	AG2M210321
29	A2671	STAT PHIAL GUIDE TUBE	AG4M210320
30	A2653	M20 CONDUIT NUT	KNUT53261
31	A2662	FLUE MANIFOLD COMPLETE	AG9M998911



AGA GEB - OPEN FLUE (UK)  
 HOTSPOT, FIRE BARREL AND BURNER CHAMBER ASSEMBLY



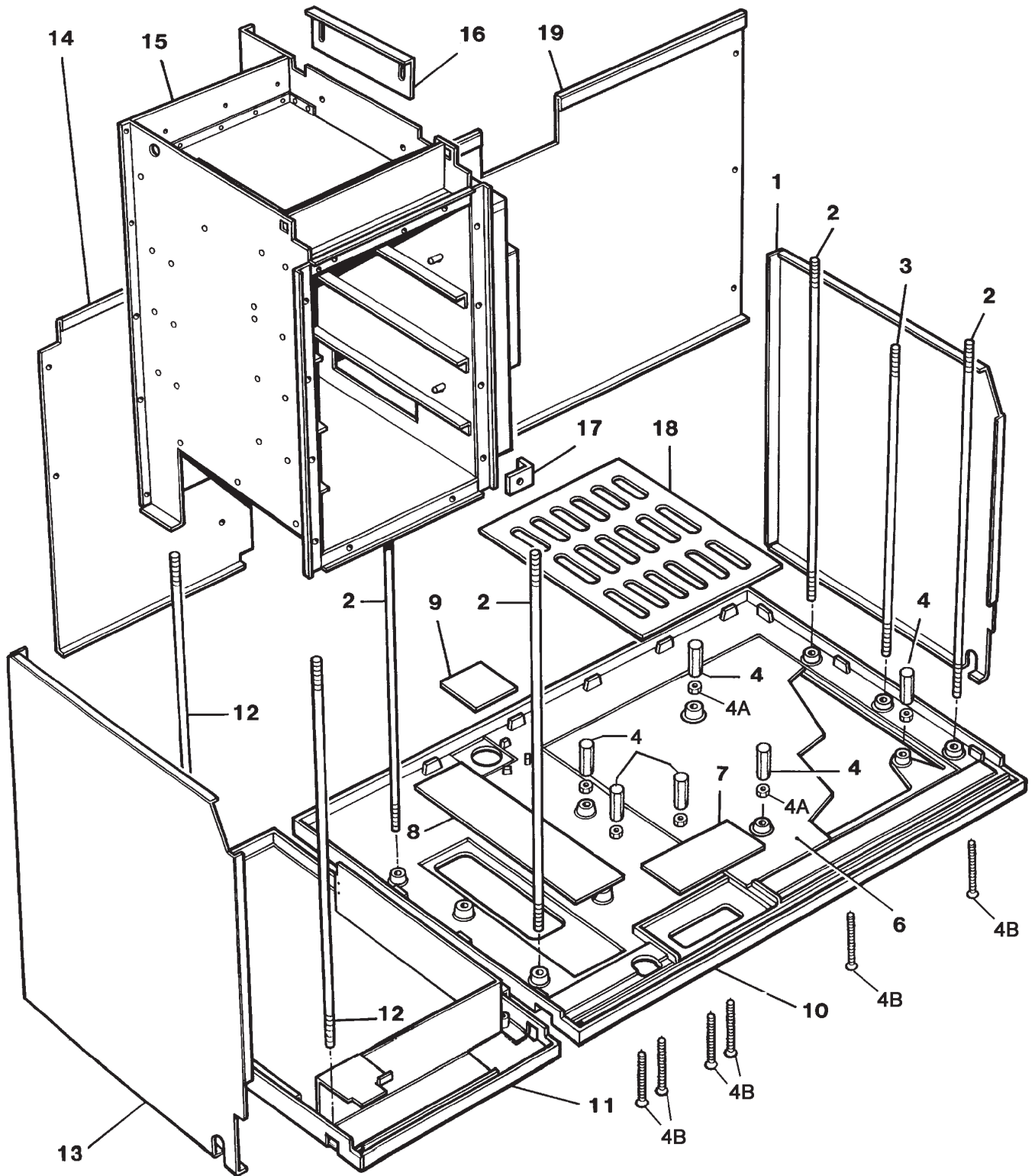


AGA GEB - OPEN FLUE (UK)  
FRONT PLATES AND DOORS

**AGA GEB - OPEN FLUE (UK)  
FRONT PLATES AND DOORS**

**OCTOBER 2010**

ITEM No.	CAT No.	DESCRIPTION	PRODUCT CODE
1	A2115	THERMOMETER RETAINING PLATE - UP TO M10-102	AO9M220004COMP
2	A2157	THERMOMETER - UP TO M10-102	AG4T210257
	A5562	BRANNAN HEAT INDICATOR & SPARES KIT (FOR PRE M10-102)	AG9M996187
	NCA	LIQUID FILLED HEAT INDICATOR - FROM M10-102	AE4T231182
2A	A1314	THERMOMETER - (HOLLAND ONLY)	AG4T46290
3	A1482	COVER INSULATION	JTHR997624
4	R5627	ROPE THERMOSEAL No. 4 x 1230 LG - UP TO M01-080	AG4M997916
	A3935	ROPE T/S BLACK - TOP DOOR x 1230 - FROM M01-080	AS9E1-9285E
5	A1709	OVEN DOOR COMPLETE - TOP RH	AS9E1-9285F
5A	A1710	OVEN DOOR COMPLETE - BOTTOM RH	AS9E1-9285G
6	A1711	DOOR - HOT CUPBOARD TOP	AS9E1-9285H
6A	A1712	H/CUPBOARD BOTTOM OVEN DOOR	JTHR997624
7	R5627	ROPE THERMOSEAL No. 4 x 1230 LG - UP TO M01-080	AG4M997917
	A3936	ROPE T/S BLACK - BTM DOOR x 1205 - FROM M01-080	AO2M90348
8	A1483	OVEN DOOR INSULATING COVERS SHALLOW	AO2M90348
9	A1483	OVEN DOOR INSULATING COVERS SHALLOW	AG1E2-753A
10	A2391	BURNER DOOR OUTER	AG4M210317
11	A3053	LIGHTING INSTRUCTIONS - UK & IRELAND	AG4M210184
12	A2274	AGA BADGE	AG4M210341
	A2435	AGA BADGE (ORIGINAL) - NOT SHOWN	AG5E210249
13	NCA	FRONT PLATE - COOKER (UP TO M02-081)	AG5E211245
	A4383	FRONT PLATE (FROM M02-081)	AG1M211325
	A2322	FRONT PLATE C/W DOORS (FROM M02-081)	AG5E210281
14	A5303	FRONT PLATE HOT CUPBOARD (UP TO M02-081)	AG5E211243
	A4907	FRONT PLATE HOT CUPBOARD (FROM M02-081)	JTHR20394
15	A2290	ROPE SEAL 12w x 3 THK x 350	JTHR211146
	NCA	ROPE SEAL 12w x 3 THK x 350 BLACK - FROM M01-080	JTHR20394
15A	A2290	ROPE SEAL 12w x 3 THK x 642	JTHR211146
	NCA	ROPE SEAL 12w x 3 THK x 642 BLACK - FROM M01-080	JTHR20390
16	NCA	ROPE 7mm DIA x 980 LG	AG1M210571
17	A2970	BURNER HOUSING ASSEMBLY	JTHR210867
18	A3467	No.2 ROPE (BURNER HOUSING) 5mm x 120mm	JTHR210645
19	A2860	SEAL INSULATING FRAME	AG4M211602
20	A4784	OVEN FRAME KIT	AG2M210230
21	A2179	GAS PIPE SEALING PLATE	AG2M211850
22	NCA	DATA PLAQUE - NG	AG2M211835
	NCA	DATA PLAQUE - LPG	AG4M250478
23	A3956	DOOR CATCH	JGSG211270
24	A4706	DOOR CATCH GASKET	KNUT500485
25	A4707	LOCKING NUT	



AGA GEB - OPEN FLUE (UK)  
 BASE, SIDES, BACK PLATES AND HOT CUPBOARD

## AGA GEB - OPEN FLUE (UK)

OCTOBER 2010

## BASE, SIDES, BACKPLATES AND HOTCUPBOARD

ITEM No.	CAT No.	DESCRIPTION	PRODUCT CODE
1	A2983	SIDE PLATE COOKER	AG2V210346
2	A2118	CORNER STAY ROD BSW	AG4M210226
3	A1657	OVEN STAY ROD	AS4M43970
4	NCA	BURNER CHAMBER SUPPORT ADJUSTER	AO4M220259
4A	R5022	M12 HEX FULL NUT	KNUT53135
4B	NCA	M12 C/SNK SCREW x 100mm	KCSK500492
6	A2373	FILLER BASE PLATE - LARGE	AO2M210194
7	A4459	BASE FRONT FILLER PIECE - SMALL	AS2M90080R
8	A2374	RH BASE PLATE FILLER	AO2V210306
9	A3544	FLUE OUTLET BANKING PLATE	AG2M210568
10	A2659	BASE PLATE	AG4M210560
11	A3186	BASE PLATE HOTCUPBOARD ASSY	AG1M210798
12	A2118	CORNER STAY ROD	AG4M210226
13	A2982	SIDE PLATE - HOT CUPBOARD	AG2V210345
14	A3260	BACK PLATE - HOT CUPBOARD	AG2M210657
15	A3262	HOTCUPBOARD OVEN SHELL ASSEMBLY	AG1M210796
16	A3261	AIR BAFFLE	AG2M210797
17	NCA	FRONT PLATE SPACING KIT (UP TO M02-109)	AG2M210517
	A4075	BRACKET STAND-OFF (FROM M02-109)	AG2V211283
18	A3647	OVEN DIVIDING SHELF - PERFORATED	AO5V211617
19	A1612	BACK PLATE	AS2M200052