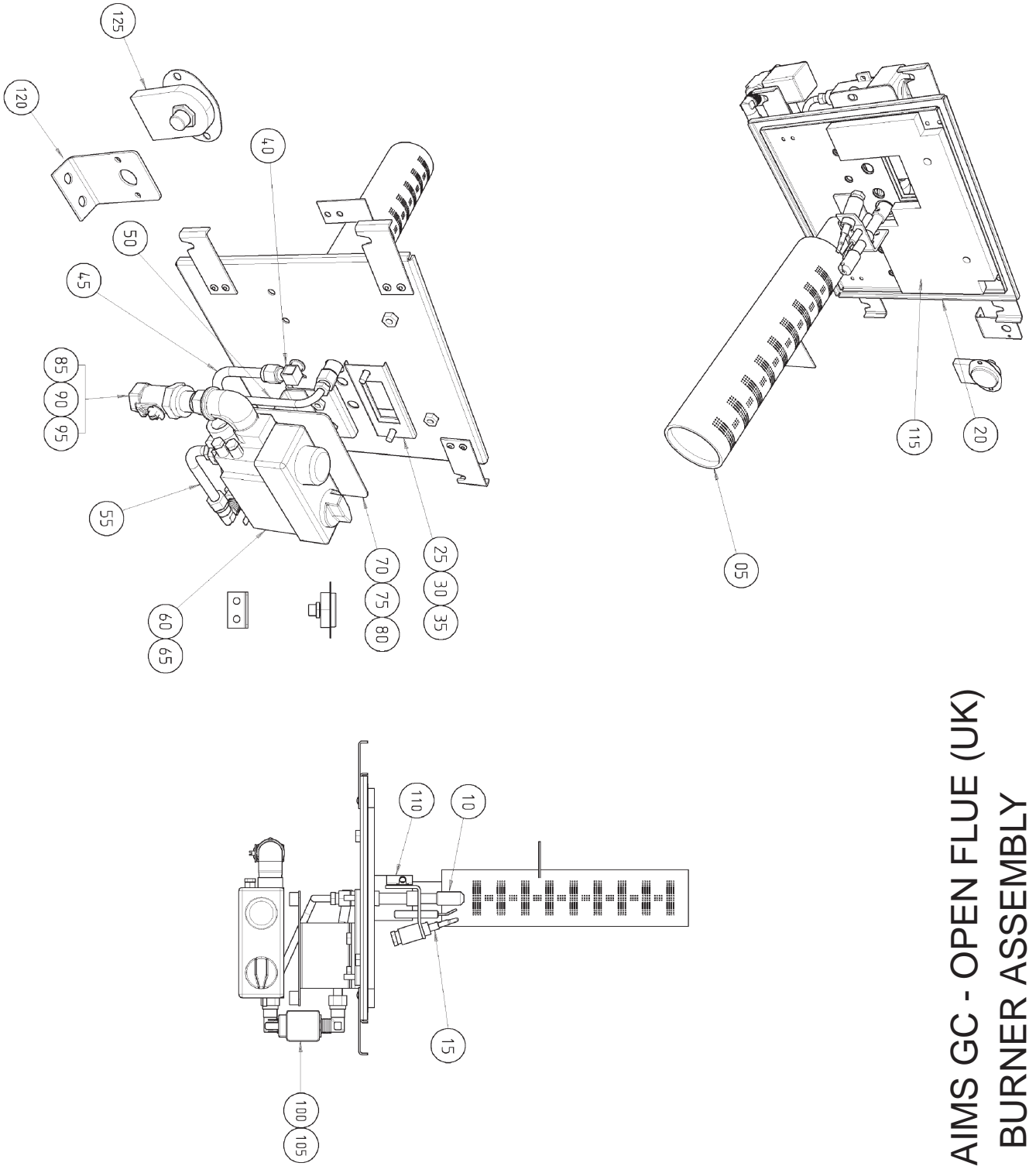


**AGA AIMS GC OPEN  
FLUE - UK**

***SPARE PARTS  
MANUAL***

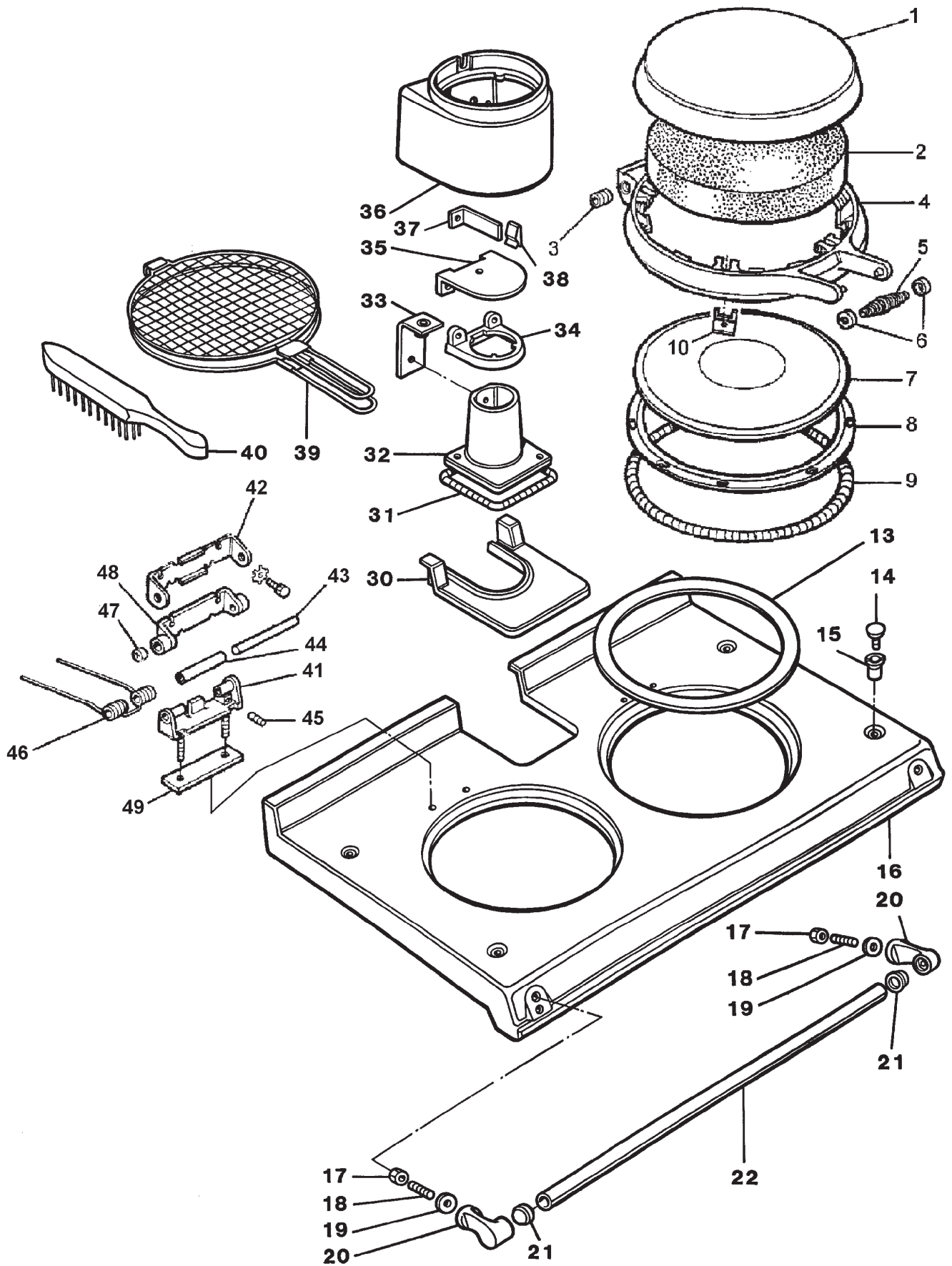


**AGA AIMS GC - OPEN FLUE (UK)  
BURNER ASSEMBLY**

**AGA AIMS GC OPEN FLUE (UK)  
BURNER ASSEMBLY**

**OCTOBER 2010**

<b>ITEM No.</b>	<b>CAT No.</b>	<b>DESCRIPTION</b>	<b>PRODUCT CODE</b>
05	A2168	BURNER - FURIGAS	AG4M210236
10	A5485	PILOT ASSEMBLY - NG	AG4M212087
10	A5642	PILOT ASSEMBLY - LPG	AG4M211988
15	NCA	THERMOCOUPLE	AG4M212036
20	NCA	BURNER DOOR ASSEMBLY	AG1M211928
25	G1094	SIGHT GLASS FRAME	AG2M210019
30	A2204	SIGHT GLASS GASKET	AG4M210011
35	A1236	SIGHT GLASS	AG4M30840
40	A4216	BURNER INJECTOR NG CAT 82	AG4M211236
40	A4217	BURNER INJECTOR LPG CAT 92	AG4M211253
45	NCA	INJECTOR FEED PIPE	AG4M212007
50	NCA	PILOT FEED PIPE	AG4M212006
55	NCA	SOLENOID FEED PIPE	AG4M212005
60	A5497	GAS VALVE	AG4M212084
60A	A4652	GAS BYPASS SCREW LPG (65)	KBYP211667
60B	A4872	GAS BYPASS SCREW NG (110)	KBYP211668
65	NCA	3/8" TO 8mm COMPRESSION STRAIGHT	RG4M312137
70	NCA	GAS VALVE MOUNTING BRACKET	AG1M211931
75	NCA	GAS VALVE SPACER	AG4M211706
80	A2162	INSULATION PAD - VALVE BAFFLE	JPAD210200
85	R2601	GAS SHUT-OFF COCK	RG4M313792
90	A4602	3/8" TO 1/4" BSP NIPPLE	AG4M211662
95	NCA	3/8" M/F ELBOW	AG4M211990
100	A5387	SOLENOID (N/O)	AG4M211998
105	A3518	1/4" TO 8mm ELBOW	AG4M210556
110	NCA	PILOT FIXING BRACKET	AG2M211937
115	NCA	BURNER DOOR INSULATION PAD	JPAD211940
120	A2664	MOUNTING BRACKET -SPILLAGE STAT	AG2M210388
125	NCA	ELBOW 15 x 1/2" BSP	AG4M210685

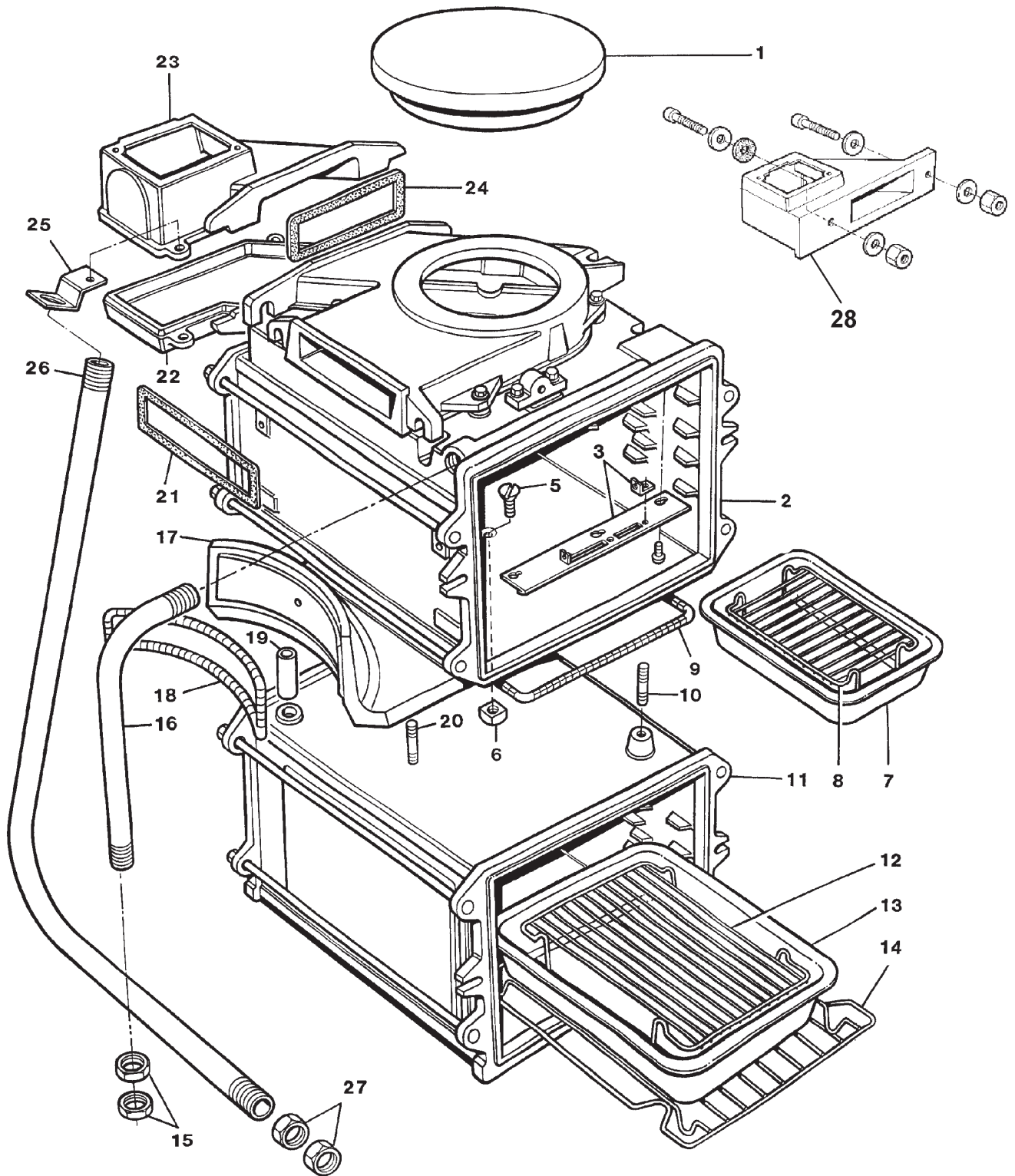


AGA AIMS GC - OPEN FLUE (UK)  
 TOP PLATE & INSULATING LIDS

**AGA AIMS GC - OPEN FLUE (UK)  
TOP PLATE, INSULATING LIDS**

**OCTOBER 2010**

<b>ITEM No.</b>	<b>CAT No.</b>	<b>DESCRIPTION</b>	<b>PRODUCT CODE</b>
1	A3614	ST/STEEL INSULATING LID COVER	AG4M210905-K
	NCA	INSULATING LID CI (NOT SHOWN)	AG5E211528
	A4637	ST/STEEL DOME ASSEMBLY - COMP.	AG1M211766
	A4639	CI DOME ASSEMBLY - COMP. (NOT SHOWN)	AG1M211765
2	A5074	DOME INSULATION PAD - 50mm	JPAD211934
3	A4816	M12 x 16 GRUB SCREW	KGRB500520
4	A4825	INSULATING LID OUTER RING	AG5E211310
5	R3028	COIL HANDLE	RO4M340522
6	R3029	INSULATING LID HANDLE CUPS	RO4M340521
7	A1632	INSULATING LID LINING - RH	AS4M34760
8	A1647	INNER HOLDING RING	AS4M40980
9	A1863	DOME SEALING ROPE	JMAR20410
10	A3636	DOME CLAMPING BRKTS - ST/ST LIDS ONLY	AG4M210904
13	A1342	INSULATING RING	AG5M210840
14	A2119	CORNER STAY BUTTON 5/16" BSW	AG4M210228
15	A2123	CORNER STAY NUT 5/16" BSW	AG4M210244
16	A2246	TOP PLATE	AG5E210167
17	R2630	NUT M8 x 35 LG	KNUT53061
18	A4192	ALLTHREAD M8 x 35 LG	KSTD500010
19	A3664	WASHER M8 I/D SHAKEPROOF S/S	KWSR53346
20	A2314	HANDRAIL BRACKET	AG4M210853
21	A2975	VINYL END CAP	AG4M210660
22	A1630	HANDRAIL	AG4M210642
30	A1317	FLUE COLLAR - STD FLUE	AG5E1-9269
31	NCA	ROPE 5mm DIA x 455mm LG	JTHR20393
32	A1316	FLUE OUTLET NOZZLE	AG1M211184
33	A2206	FLUE DIVERTER FIXING BRACKET	AG2M210212
34	A1334	FLUE PIPE LOCATING RING	AG5V3-544
35	A1354	DIVERTER HOOD Baffle PLATE	AG5V211182
36	A2990	DOWN DRAUGHT DIVERTER HOOD (4" FLUE)	AG5E210825
37	A2872	STAT PHIAL SUPPORT BRACKET	AG2M210282
38	A3031	STAT PHIAL LOCATION CLIP	KCLP500283
39	A1843	TOASTER	EACS47380
40	A1841	WIRE BRUSH	EACS23230
41	A4641	HINGE ASSY WITHOUT SPRING	AG4M211742
41A	A4042	HINGE ASSY WITH SPRING V.E. (UPTO M06-170)	AG4M211743
41B	A5157	HINGE ASSEMBLY V.E. LIDS (FROM M06-170)	AG4M211921
42		PART OF ITEM 11 & 11A	
43		PART OF ITEM 11 & 11A	
44	NCA	SPINDLE SLEEVE (PART OF ITEM 11 & 11A)	AG4M997030
45	A5404	SCREW M5 x 16 LG GRUB	KGRB500521
46	A3646	SPRING (PART OF ITEM 11A)	AG4M210774
47	A4658	ADJUSTER (PART OF ITEM 11 & 11A)	AG4M997031
48		PART OF ITEM 11 & 11A	
49	A2589	HINGE BLOCK GASKET	JGSG210477
49A	NCA	GASKET HINGE BLOCK V.E. LIDS (FROM M06-170)	JGSG211914

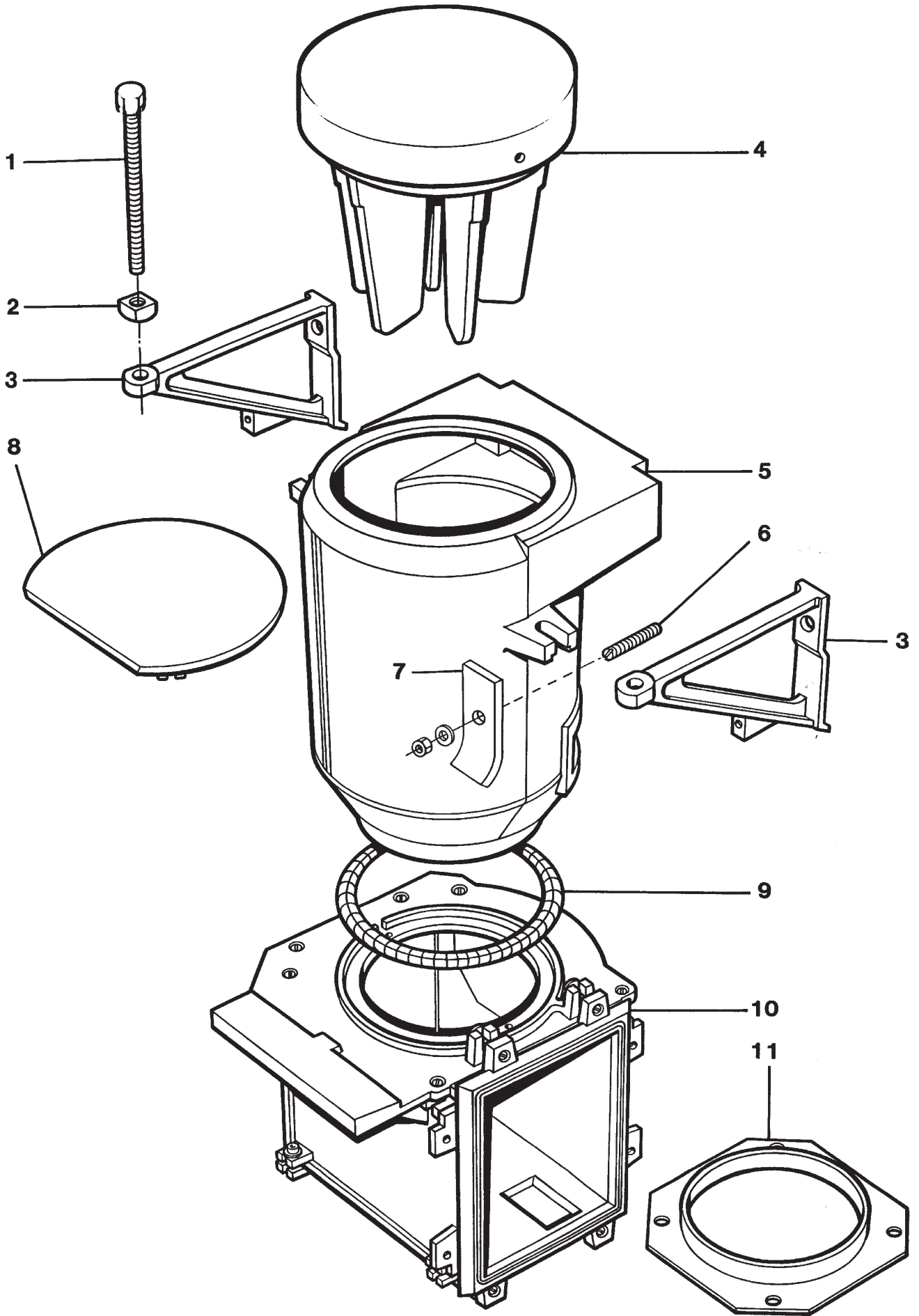


AGA AIMS GC - OPEN FLUE (UK)  
OVENS AND ACCESSORIES, SIMMERING PLATE

**AGA AIMS GC - OPEN FLUE (UK)  
OVENS AND ACCESSORIES, SIMMERING PLATE**

**FEBRUARY 2011**

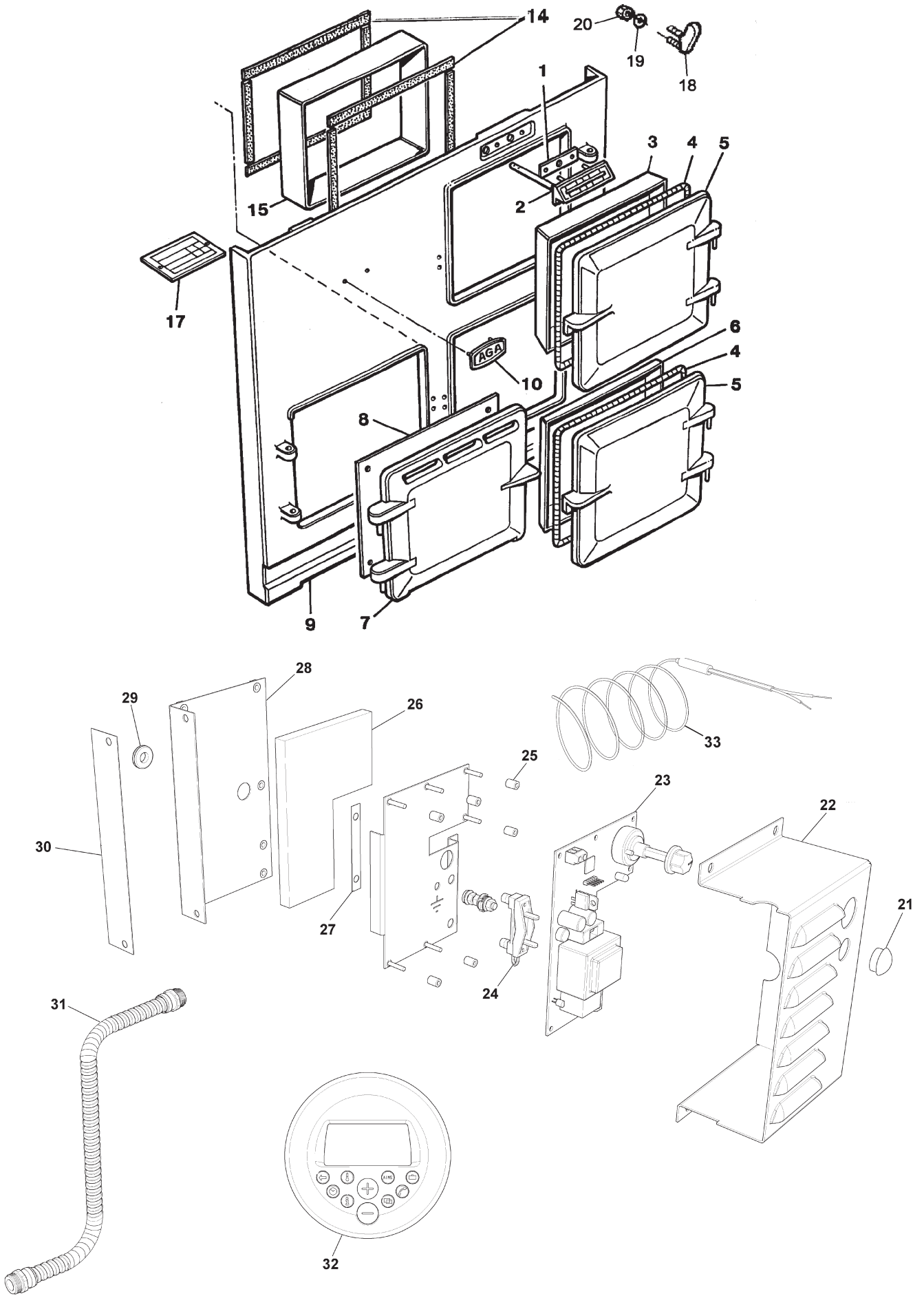
<b>ITEM No.</b>	<b>CAT No.</b>	<b>DESCRIPTION</b>	<b>PRODUCT CODE</b>
1	A1328	SIMMERING PLATE	AG5M2-7091
2	A3537	ROASTING OVEN ASSEMBLY	AG1M-RO-NF
3	A5388	THERMOCOUPLE RETAINING BRACKET	AG2M212034
	A3723	STAT PHIAL SUPPORT ASSY (FROM MAY 2000)	AO1M220145
5	A2068	SCREW M12 x 30 LG CSK HD	KCSK500018
6	A3639	M12 SQUARE NUT	KNUT500013
7	A3284	ROASTING TIN - SMALL	EMTY530217
8	A2312	GRILL RACK - SMALL	AG4M210269
9	A2961	SEALING ROPE - 9mm DIA x 1165 LG	JTHR220116
10	NCA	SCREW M12 x 40mm CUP PNT SCKT HD	KGRB500338
11	A1476	SIMMERING OVEN ASSEMBLY	AG1M-SO-NF
12	A2313	GRILL RACK - LARGE	AG4M210268
13	A3285	ROASTING TIN - LARGE	EMTY530218
14	A1282	OVEN GRID SHELF	AE4M211863
15	A3469	LOCKNUT 25mm CONDUIT HEX	KNUT35275
16	A1293	CONDUIT PHIAL TUBE	AG4M48098
17	A2656	HEAT CONDUCTING PLATE	AG4M211880
18	A1856	ROPE 10mm DIA x 762 LG	JCRP20403
19	A2929	OVEN VENT PIPE - BOTTOM	AG4M210488
20	NCA	SCREW M12 x 40mm CUP PNT SKT HD	KGRB500338
21	A2308	GASKET -OUTER BARREL	JGSG210327
22	A4131	BOTTOM HALF - FLUE MANIFOLD - SEE 28	AG5M211211
23	A1343	TOP HALF - FLUE MANIFOLD - SEE 28	AG5M211192
24	A2306	FLUE MANIFOLD GASKET	JGSG210328
25	A3277	STAT PHIAL GUIDE TUBE BRACKET	AG2M210321
26	A2671	STAT PHIAL GUIDE TUBE	AG4M210320
27	A2653	M20 CONDUIT NUT	KNUT53261
28	A2662	FLUE MANIFOLD COMPLETE	AG9M998911



AGA AIMS GC - OPEN FLUE (UK)  
 HOTSPOT, FIRE BARREL AND BURNER CHAMBER ASSEMBLY



ITEM No.	CAT No.	DESCRIPTION	PRODUCT CODE
1	A3637	SCREW M12 x 130mm LG HEX HD ZP	KHEX500014
2	A3639	M12 SQUARE NUT	KNUT500013
3	A1346	OUTER BARREL SUPPORT BRACKET	AG5M211047
4	A1522	LH HOT SPOT	AO4M1-386
5	A2419	BARREL OUTER ONE PIECE	AG4M210442
6	A3289	BARREL FIXING STUD	KSTD210489
7	A3166	BARREL FIXING CLAMP	AG2M210485
8	A1525	FIRE BARREL BAFFLE	AO5220647
9	A1854	ROPE SEALING 20 DIA x 1778 LG	JCRP20402
10	A2430	BURNER CHAMBER ASSEMBLY	AG1M-BC-NF
11	A2648	OUTER BARREL SEALING RING	AG2M210461

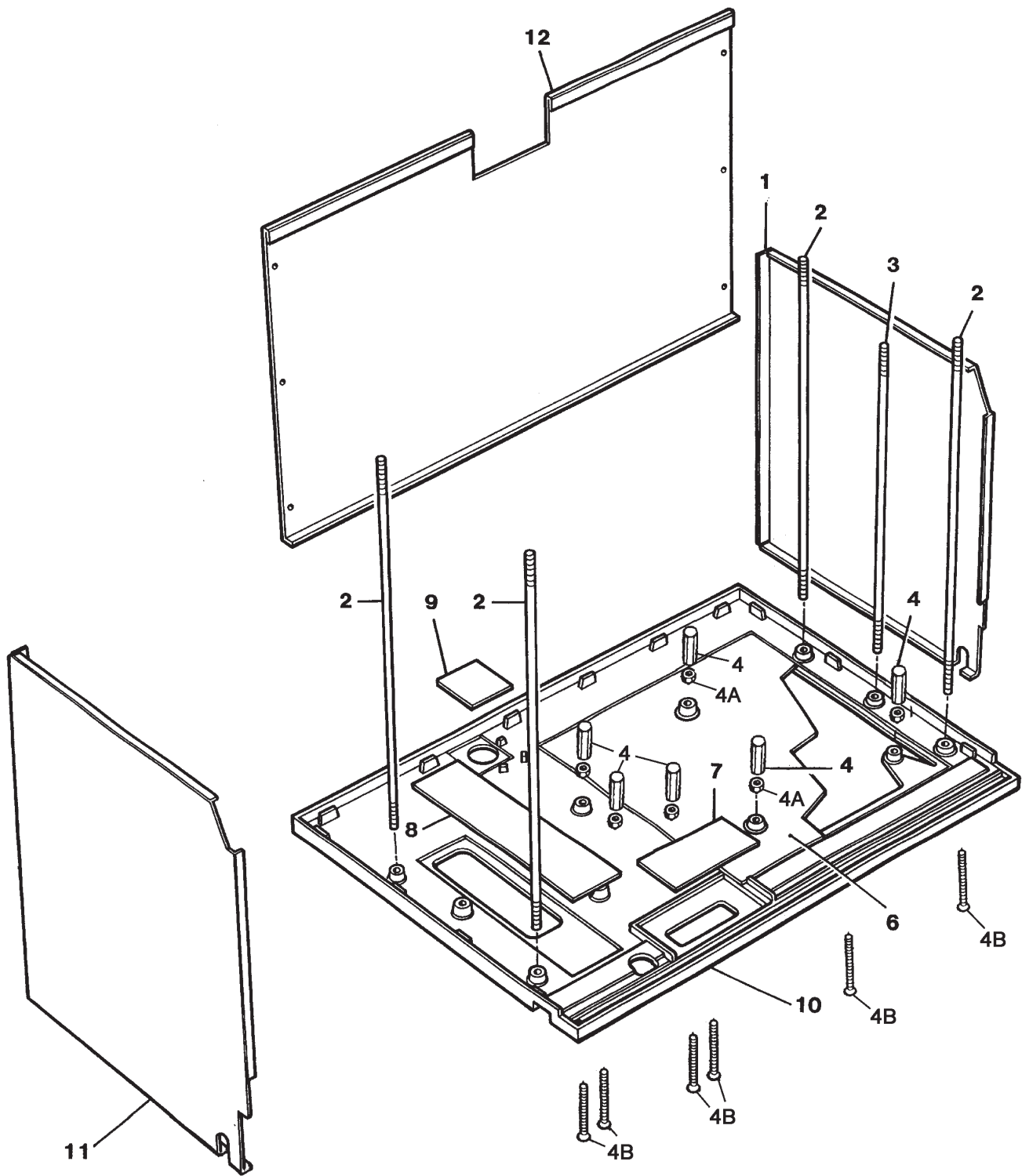


AGA AIMS GC - OPEN FLUE (UK)  
FRONT PLATES AND DOORS

**AGA AIMS GC - OPEN FLUE (UK)  
FRONT PLATES AND DOORS**

**OCTOBER 2010**

<b>ITEM No.</b>	<b>CAT No.</b>	<b>DESCRIPTION</b>	<b>PRODUCT CODE</b>
1	A2115	THERMOMETER RETAINING PLATE	AO9M220004COMP
2	A2157	THERMOMETER - UP TO M10-048	AG4T210257
2A	A1314	THERMOMETER - (HOLLAND ONLY) - UP TO M10-048	AG4T46290
2B	A5610	HEAT INDICATOR ASSY - FROM M10-048	AE4M231169
3	A1482	COVER INSULATION - ROASTING OVEN	AO2M90347
4	R5627	ROPE THERMOSEAL - UP TO M01-080	JTHR997624
	A3935	ROPE T/S BLACK - TOP DOOR x 1230 FROM M01-080	AG4M997916
	A3936	ROPE T/S BLACK - BTM DOOR x 1205 FROM M01-080	AG4M997917
5	A1709	OVEN DOOR - COMPLETE TOP RH	AS9E1-9285E
5A	A1710	OVEN DOOR - COMPLETE BOTTOM RH	AS9E1-9285F
6	A1483	COVER INSULATION - SIMMERING OVEN (UP TO MAY2000)	AO2M90348
	A1482	COVER INSULATION - SIMMERING OVEN (FROM MAY 2000)	AO2M90347
7	A2391	BURNER DOOR - OUTER	AG1E2-753A
8	A3053	LIGHTING INSTRUCTIONS - UK & IRELAND	AG4M210317
9		FRONT PLATE COOKER (UP TO M02-081)	AG5E210249
	A4383	FRONT PLATE (FROM M02-081)	AG5E211245
	A2322	FRONT PLATE C/W DOORS (FROM M02-081)	AG1M211325
10	A2274	AGA BADGE	AG4M210184
	A2435	AGA BADGE (ORIGINAL STYLE) - NOT SHOWN	AG4M210341
14	A2860	PYROTAPE	JTHR210645
15	A4784	OVEN FRAME KIT	AG4M211602
16	A2179	GAS PIPE SEALING PLATE	AG2M210230
17	NCA	DATA PLAQUE - NG	AG2M212053
	NCA	DATA PLAQUE - LPG	AG2M212054
18	A3956	DOOR CATCH	AG4M250478
19	A4706	DOOR CATCH GASKET	JGSG211270
20	A4707	LOCKING NUT	KNUT500485
21	NCA	LENS COVER	AG2M212033
22	A5455	CONTROLS COVER	AG2M212030
23	A5381	PCB CONTROLLER	AG4M211996
24	R2190	CABLE CLAMP	RG4M26192
25	NCA	PCB SPACER	AG4M212014
26	A5599	PCB INSULATION PAD	JPAD212089
27	NCA	GASKET - PCB MOUNTING PLATE	JGSG212090
28	NCA	CONTROLS MOUNTING PLATE	AG2M212004
29	NCA	GROMMET - CONTROLS MOUNTING PLATE	AG4M212105
30	NCA	GASKET - CONTROLS MOUNTING PLATE	JGSG212091
31	A5433	CABLE GUIDE TUBE ASSY	AG1M212077
32	A5382	HANDSET - UP TO M10-048	AG4M211997
32A	A5609	HEAT INDICATOR HANDSET (GAS AIMS) - FROM M10-048	AG4M212193
33	A5177	OVEN THERMOCOUPLE	AE4M230890



AGA AIMS GC - OPEN FLUE (UK)  
 BASE, SIDES AND BACK PLATES

**AGA AIMS GC - OPEN FLUE (UK)  
BASE, SIDES AND BACKPLATES**

**OCTOBER 2010**

<b>ITEM No.</b>	<b>CAT No.</b>	<b>DESCRIPTION</b>	<b>PRODUCT CODE</b>
1	A2983	SIDE PLATE COOKER - RH	AG2V210346
2	A2118	CORNER STAY ROD	AG4M210226
3	A1657	OVEN STAY ROD M8 x 490mm	AS4M43970
4	NCA	BURNER CHAMBER SUPPORT ADJUSTER	AO4M220259
4A	R5022	M12 HEX FULL NUT	KNUT53135
4B	NCA	M12 C/SNK SCREW x 100mm	KCSK500492
6	A2373	FILLER BASE PLATE - LARGE	AO2M210194
7	A4459	BASE FRONT FILLER PLATE - SMALL	AS2M90080R
8	A2374	RH BASE PLATE FILLER	AO2V210306
9	A3544	FLUE OUTLET BANKING PLATE	AG2M210568
10	A2659	BASE PLATE	AG4M210560
11	A2982	LH SIDE PLATE	AG2V210345
12	A1612	BACK PLATE	AS2M200052