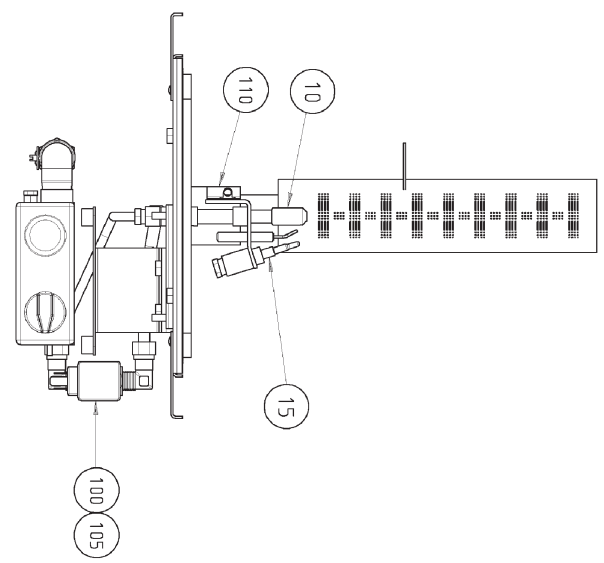
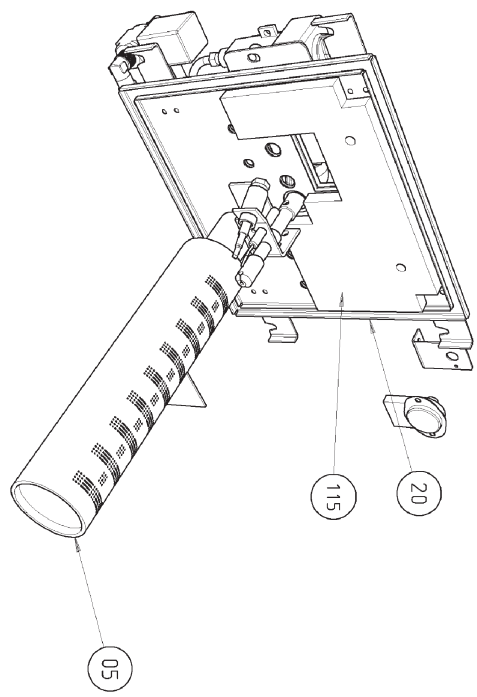
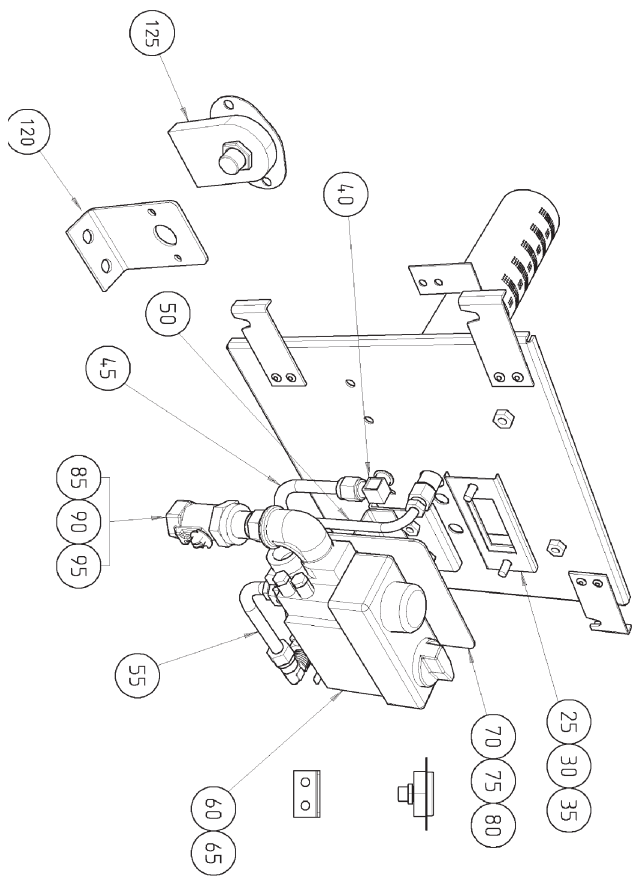


**AGA AIMS GE OPEN
FLUE - UK**

***SPARE PARTS
MANUAL***

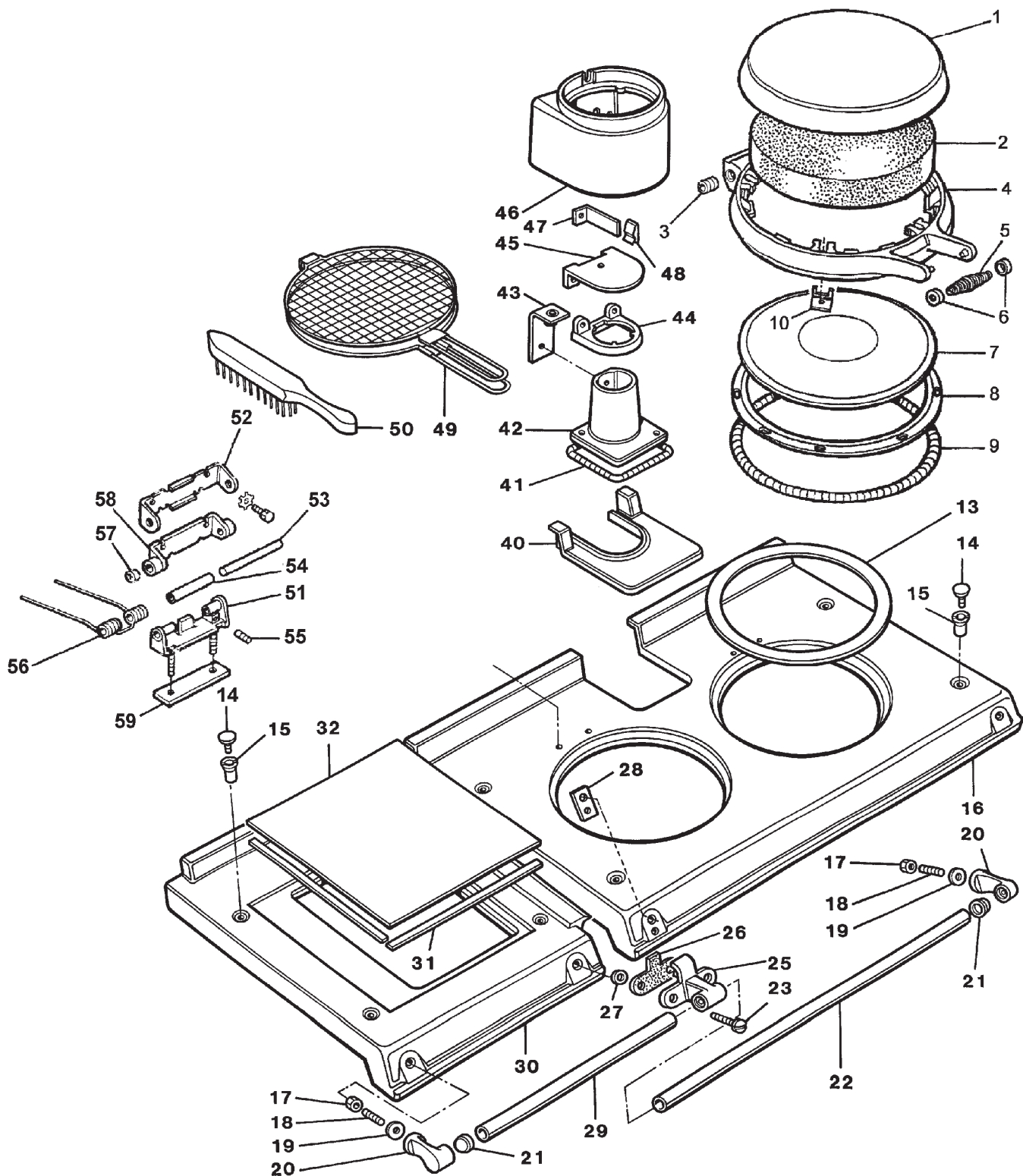


**AGA AIMS GE - OPEN FLUE (UK)
BURNER ASSEMBLY**

**AGA AIMS GE OPEN FLUE (UK)
BURNER ASSEMBLY**

SEPTEMBER 2010

ITEM No.	CAT No.	DESCRIPTION	PRODUCT CODE
05	A2168	BURNER - FURIGAS	AG4M210236
10	A5485	PILOT ASSEMBLY - NG	AG4M212087
10	A5642	PILOT ASSEMBLY - LPG	AG4M211988
15	A4991	THERMOCOUPLE	AG4M997412
20	NCA	BURNER DOOR ASSEMBLY	AG1M211928
25	G1094	SIGHT GLASS BRACKET	AG2M210019
30	A2204	SIGHT GLASS GASKET	AG4M210011
35	A1236	SIGHT GLASS	AG4M30840
40	A4216	BURNER INJECTOR NG CAT 82	AG4M211236
40	A4217	BURNER INJECTOR LPG CAT 92	AG4M211253
45	NCA	INJECTOR FEED PIPE	AG4M212007
50	NCA	PILOT FEED PIPE	AG4M212006
55	NCA	SOLENOID FEED PIPE	AG4M212005
60	A5497	GAS VALVE	AG4M212084
60A	A4652	GAS BY-PASS SCREW LPG (65)	KBYP211667
60B	A4872	GAS BY-PASS SCREW NG (110)	KBYP211668
65	NCA	3/8" TO 8mm COMPRESSION STRAIGHT	RG4M312137
70	NCA	GAS VALVE MOUNTING BRACKET	AG1M211931
75	NCA	GAS VALVE SPACER	AG4M211706
80	A2162	INSULATION PAD - VALVE BAFFLE	JPAD210200
85	R2601	GAS SHUT-OFF COCK	RG4M313792
90	A4602	3/8" TO 1/4" BSP NIPPLE	AG4M211662
95	NCA	3/8" M/F ELBOW	AG4M211990
100	A5387	SOLENOID (N/O)	AG4M211998
105	A3518	1/4" TO 8mm ELBOW	AG4M210556
110	NCA	PILOT FIXING BRACKET	AG2M211937
115	NCA	BURNER DOOR INSULATION PAD	JPAD211940
120	A2664	MOUNTING BRACKET - SPILLAGE STAT	AG2M210388
125	A2930	FLUE SPILLAGE STAT	AG4T210686

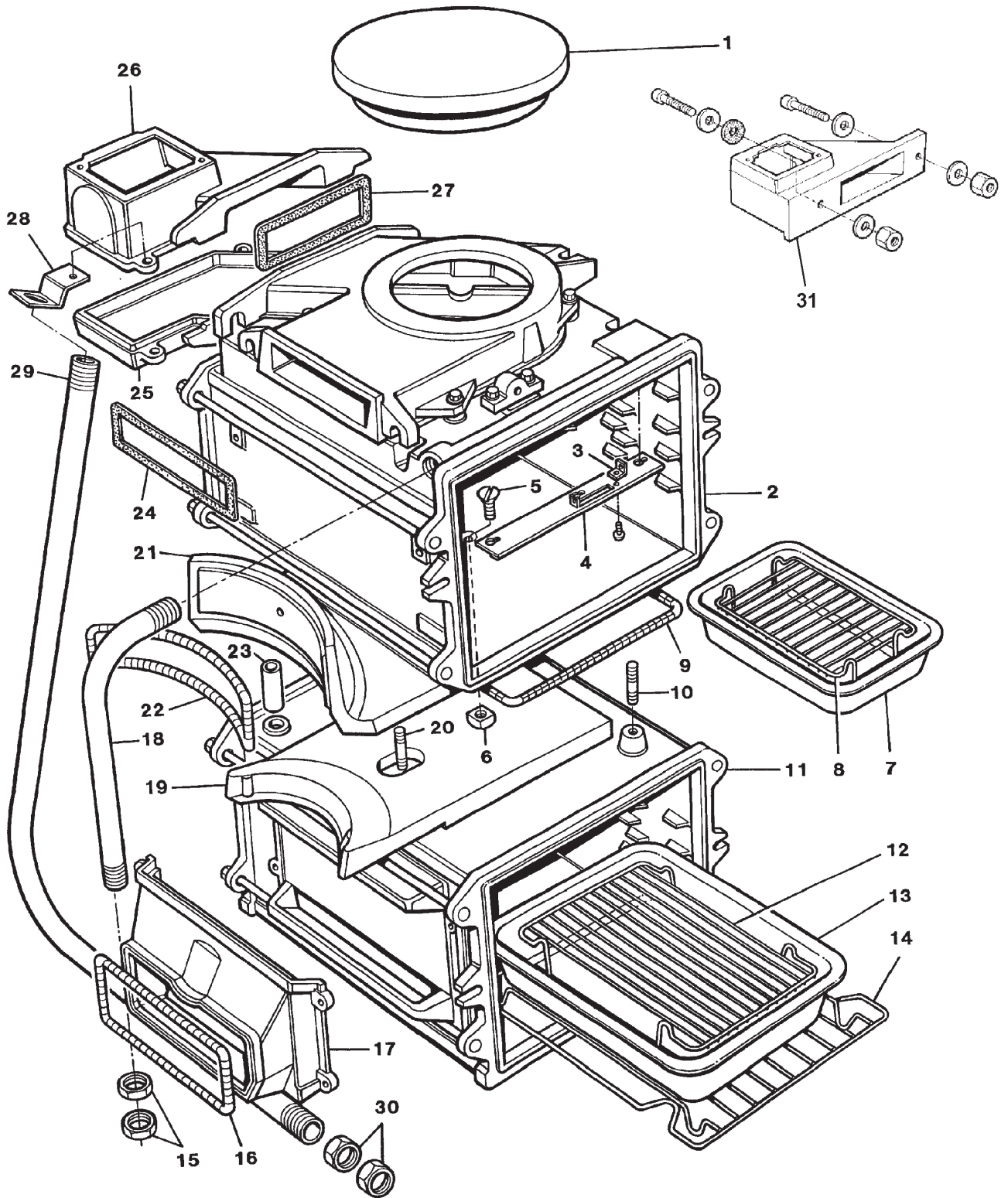


AGA AIMS GE - OPEN FLUE (UK)
 TOP PLATES & INSULATING COVERS

**AGA AIMS GE - OPEN FLUE (UK)
TOP PLATES, INSULATING LIDS**

SEPTEMBER 2010

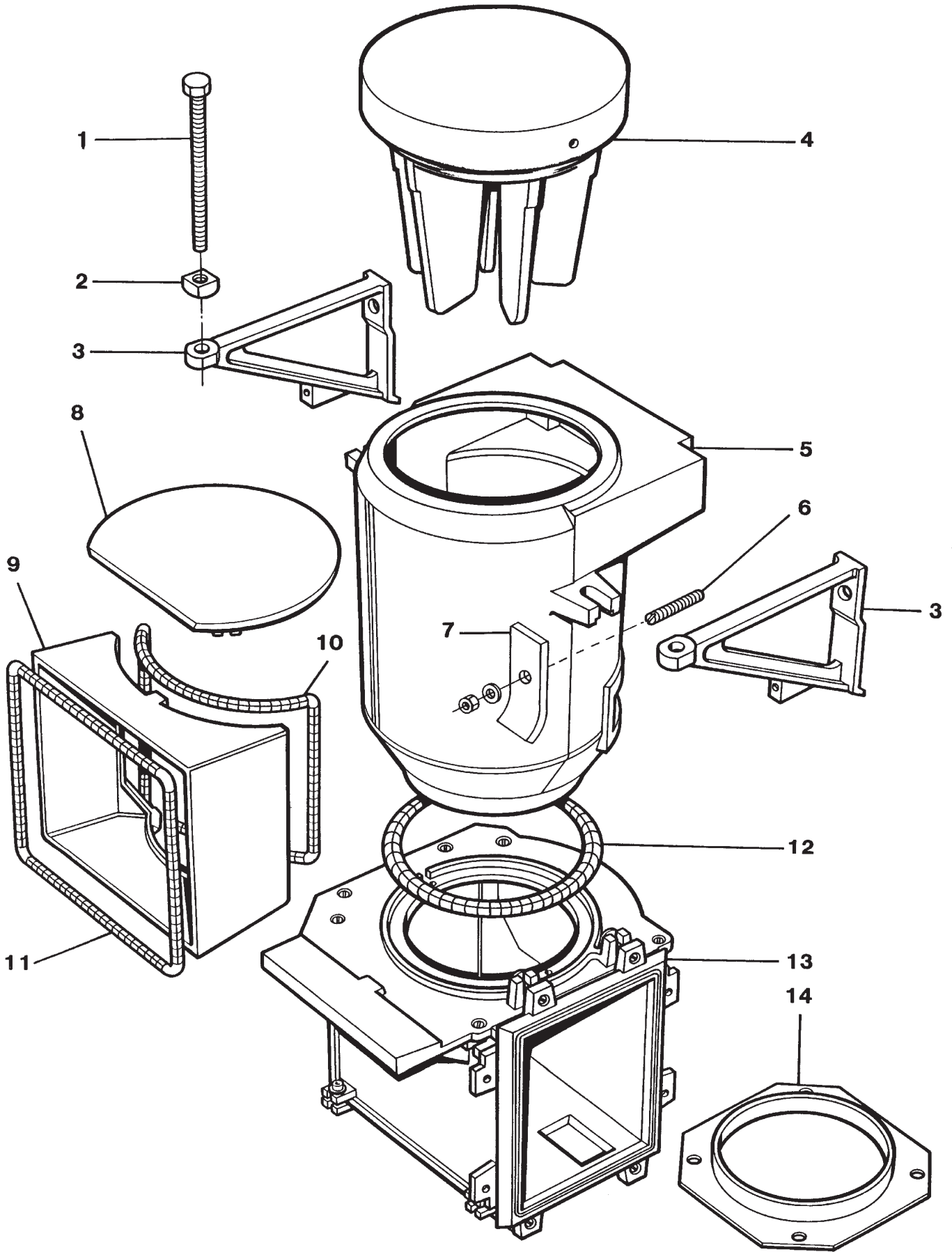
ITEM No.	CAT No.	DESCRIPTION	PRODUCT CODE
1	A3614 NCA A4637 A4639	ST/STEEL INSULATING LID COVER INSULATING LID CI (NOT SHOWN) ST/STEEL DOME ASSEMBLY - COMP. CI DOME ASSEMBLY - COMP. (NOT SHOWN)	AG4M210905-K AG5E211528 AG1M211766 AG1M211765
2	A5074	DOME INSULATION PAD - 50mm	JPAD211934
3	A4816	M12 x 16 GRUB SCREW	KGRB500520
4	A4825	INSULATING LID OUTER RING	AG5E211310
5	R3028	COIL HANDLE	RO4M340522
6	R3029	INSULATING LID HANDLE CUPS	RO4M340521
7	A1632	INSULATING LID LINING - RH	AS4M34760
8	A1647	INNER HOLDING RING	AS4M40980
9	A1863	DOME SEALING ROPE	JMAR20410
10	A3636	DOME CLAMPING BRKTS - ST/ST LIDS ONLY	AG4M210904
13	A1342	INSULATING RING	AG5M210840
14	A2119	CORNER STAY BUTTON - 5/16" BSW	AG4M210228
15	A2123	CORNER STAY NUT 5/16 BSW	AG4M210244
16	A2246	TOP PLATE	AG5E210167
17	R2630	NUT M8 x 35 LG	KNUT53061
18	A4192	ALLTHREAD M8 x 35 LG	KSTD500010
19	A3664	WASHER M8 I/D SHAKEPROOF S/S	KWSR53346
20	A2314	HANDRAIL BRACKET	AG4M210853
21	A2975	VINYL END CAP (4-OFF)	AG4M210660
22	A2414	HANDRAIL EXTENDED COOKER	AG4M210445
23	A3109	SCREW - HANDRAIL JOINTING M8 x 25mm	KMIS500305
25	A3622	BRACKET - HANDRAIL JOINTING	AG4M210854
26	A2532	GASKET - HANDRAIL JOINTING	JGSG210523
27	A3044	JOINTING BRACKET WASHER	JWSR210469
28	A3738	HANDRAIL BRACKET PLATE	AG2M210467
29	A2415	HANDRAIL 25.4 DIA HOTCUPBOARD	AG4M210446
30	A2457	TOP PLATE - HOT CUPBOARD	AG5E210391
31	A3446 A3445	SEALING STRIP SHORT - H/PLATE SEALING STRIP LONG - H/PLATE	JGSG210483 JGSG210482
32	A2474	WARMING PLATE ASSY	AG9M210402COMP
40	A1317	FLUE COLLAR - STD FLUE	AG5E1-9269
41	NCA	ROPE 5mm DIA x 432 LG	JTHR20393
42	A1316	FLUE OUTLET NOZZLE	AG1M211184
43	A2206	FLUE DIVERTER FIXING BRACKET	AG2M210212
44	A1334	FLUE PIPE LOCATING RING	AG5V3-544
45	A1354	FLUE DIVERTER BAFFLE PLATE	AG5V211182
46	A2990	DOWN DRAUGHT DIVERTER HOOD (4" FLUE)	AG5E210825
47	A2872	STAT PHIAL SUPPORT PLATE	AG2M210282
48	A3031	STAT PHIAL LOCATION CLIP	KCLP500283
49	A1843	TOASTER	EACS47380
50	A1841	WIRE BRUSH	EACS23230
51	A4641	HINGE ASSY WITHOUT SPRING	AG4M211742
51A	A4642	HINGE ASSY WITH SPRING - VE (UP TO M06-170)	AG4M211743
51B	A5157	HINGE ASSY - VE LIDS (FROM M06-170)	AG4M211921
52		PART OF ITEM 51 & 51A	
53		PART OF ITEM 51 & 51A	
54	NCA	SPINDLE SLEEVE (PART OF ITEM 51 & 51A)	AG4M997030
55	A5404	SCREW M5 x 16 LG GRUB	KGRB500521
56	A3646	SPRING (PART OF 51A/B)	AG4M210774
57	A4658	ADJUSTER (PART OF ITEM 51 & 51A)	AG4M997031
58		PART OF ITEM 51 & 51A	
59	A2589	HINGE BLOCK GASKET	JGSG210477
59A	NCA	GASKET HINGE BLOCK - VE LIDS (FROM M06-170)	JGSG211914



AGA AIMS GE - OPEN FLUE (UK)
 OVENS AND ACCESSORIES, SIMMERING PLATE

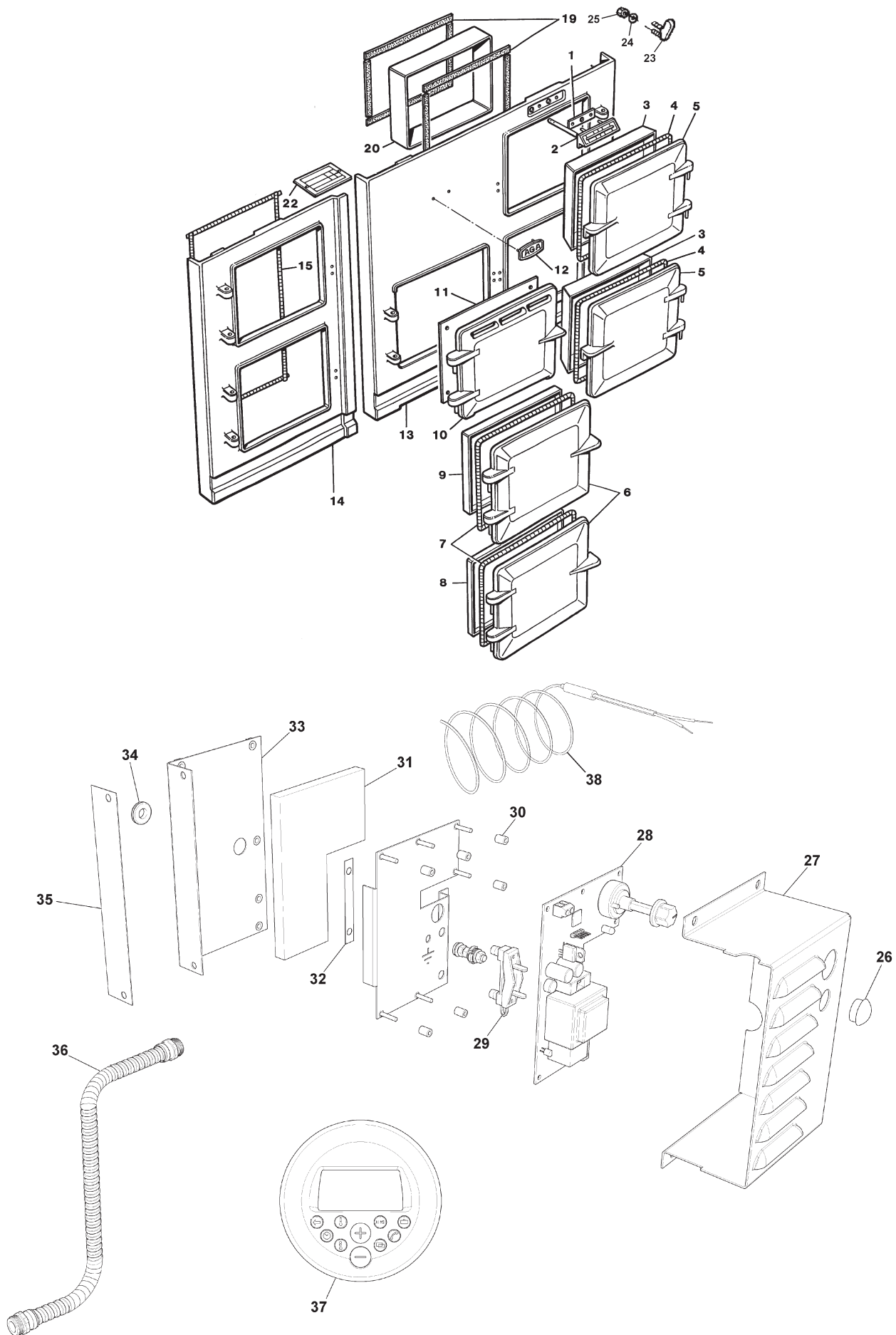
AGA AIMS GE - OPEN FLUE (UK) FEBRUARY 2011
OVENS AND ACCESSORIES, SIMMERING PLATE

ITEM No.	CAT No.	DESCRIPTION	PRODUCT CODE
1	A1328	SIMMERING PLATE	AG5M2-7091
2	A3537	ROASTING OVEN ASSEMBLY	AG1M-RO-NF
3	A5388	THERMOCOUPLE RETAINING BRACKET	AG2M212034
	A3723	STAT PHIAL SUPPORT ASSY (FROM MAY 2000)	AO1M220145
5	A2068	SCREW M12 x 30 LG CSK HD	KCSK500018
6	A3639	M12 SQUARE NUT	KNUT500013
7	A3284	ROASTING TIN - SMALL	EMTY530217
8	A2312	GRILL RACK - SMALL	AG4M210269
9	A2961	SEALING ROPE - 9mm DIA x 1165 LG	JTHR220116
10	NCA	SCREW M12 x 40mm CUP PNT SCKT HD	KGRB500338
11	A1827	BAKING OVEN ASSEMBLY	AS9O81105COMP
12	A2313	GRILL RACK - LARGE	AG4M210268
13	A3285	ROASTING TIN - LARGE	EMTY530218
14	A1282	OVEN GRID SHELF	AE4M211863
15	A3469	LOCKNUT 25mm CONDUIT HEX	KNUT35275
16	R5627	No.4 T/SEAL 13mm x 2m	JTHR997624
17	A2029	LH SIDE PLATE FILLER HOUSING	A05M2-683
18	A1293	CONDUIT PHIAL TUBE	AG4M211880
19	A2141	BAKING OVEN HEAT CONDUCTING PLATE	AG5M210165
20	NCA	SCREW M12 x 40mm CUP PNT SCKT HD	KGRB500338
21	A2656	TOP OVEN HEAT CONDUCTING PLATE	AG5M210486
22	A1856	ROPE 10mm DIA x 762 LG	JCRP20403
23	A2929	BOTTOM OVEN VENT PIPE	AG4M210488
24	A2308	OUTER BARREL GASKET	JGSG210327
25	NCA	BOTTOM HALF - FLUE MANIFOLD - SEE 31	AG5M211211
26	NCA	TOP HALF - FLUE MANIFOLD - SEE 31	AG5M211192
27	A2306	FLUE MANIFOLD GASKET	JGSG210328
28	A3277	STAT PHIAL GUIDE TUBE BRACKET	AG2M210321
29	A2671	STAT PHIAL GUIDE TUBE	AG4M210320
30	A2653	M20 CONDUIT NUT	KNUT53261
31	A2662	FLUE MANIFOLD COMPLETE	AG9M998911



AGA AIMS GE - OPEN FLUE (UK)
HOTSPOT, FIRE BARREL AND BURNER CHAMBER ASSY

ITEM No.	CAT No.	DESCRIPTION	PRODUCT CODE
1	A1800	BARREL BOLT & NUT SET (INCLS ITEM 2)	AS9M52960PR
2			
3	A1346	OUTER BARREL SUPPORT BRACKET	AG5M211047
4	A1522	LH HOT SPOT	AO4M1-386
5	A2419	ONE PIECE OUTER FIRE BARREL	AG4M210442
6	A3289	BARREL FIXING STUD	KSTD210489
7	A3166	BARREL FIXING CLAMP	AG2M210485
8	A1525	FIRE BARREL - PLAIN	AO5M220647
9	A1683	HEATER CASTING	AG5M211130
10	NCA	ROPE 20mm DIA x 1067mm LG	JCRP20398
11	R5627	No. 4 T/SEAL 13mm x 2m	JTHR997624
12	A1854	ROPE SEALING 20 DIA x 1778 LG	JCRP20402
13	A2430	BURNER CHAMBER ASSEMBLY	AG1M-BC-NF
14	A2648	OUTER BARREL SEALING RING	AG2M210461

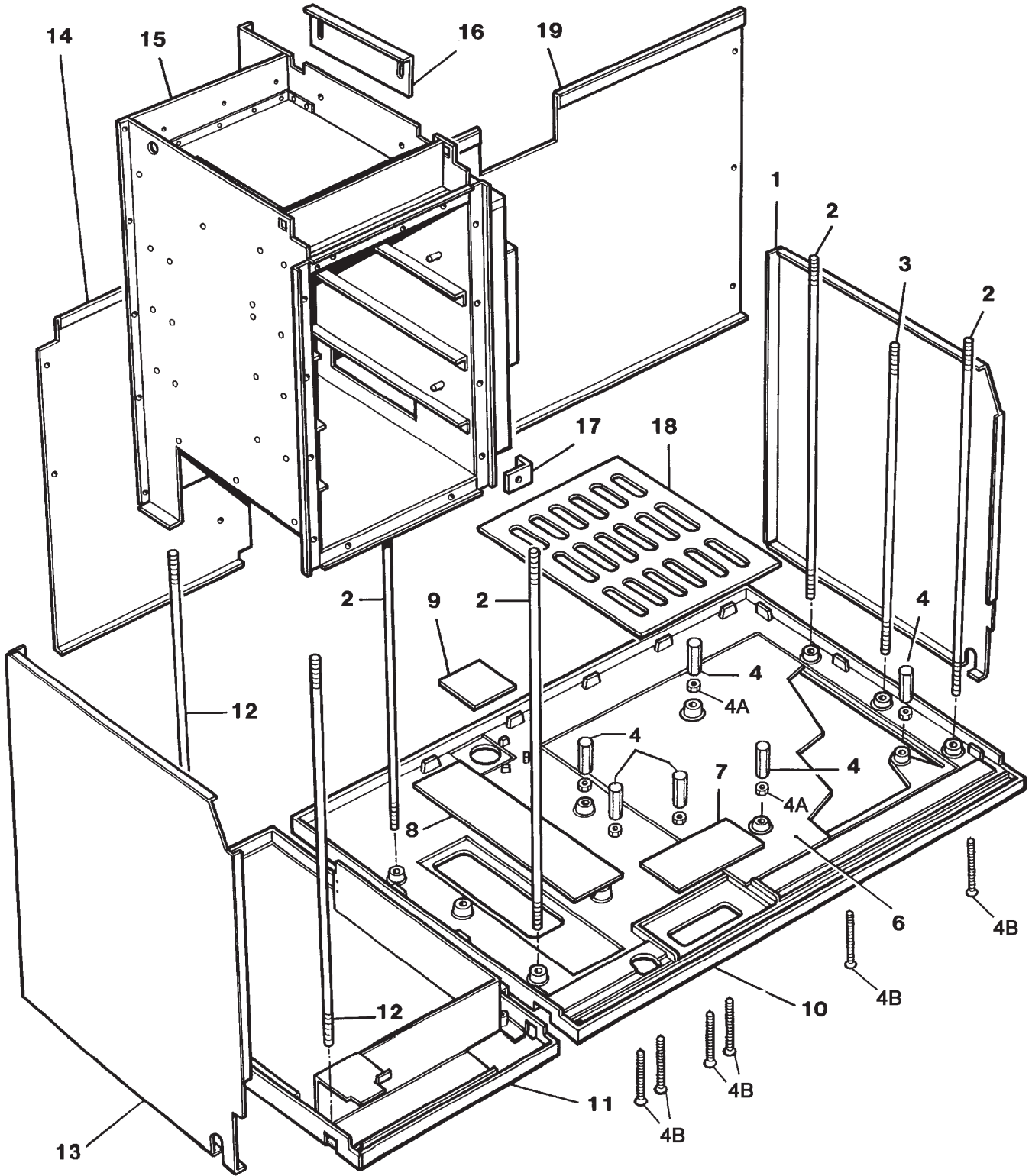


AGA AIMS GE - OPEN FLUE (UK)
FRONT PLATE AND DOORS

**AGA AIMS GE - OPEN FLUE (UK)
FRONT PLATES AND DOORS**

SEPTEMBER 2010

ITEM No.	CAT No.	DESCRIPTION	PRODUCT CODE
1	A2115	THERMOMETER RETAINING PLATE	AO9M220004COMP
2	A2157	THERMOMETER - UP TO M10-048	AG4T210257
2A	A1314	THERMOMETER - (HOLLAND ONLY) - UP TO M10-048	AG4T46290
2B	A5610	HEAT INDICATOR ASSY - FROM M10-048	AE4M231169
3	A1482	COVER INSULATION	AO2M90347
4	A1904	ROPE THERMOSEAL No. 4 x 1230 LG - UP TO M01-080	JTHR20389X47IN
	A3935	BLACK T/SEAL ROPE - TOP OVEN DOOR FROM M01-080	AG4M997916
5	A1709	OVEN DOOR COMPLETE - TOP RH	AS9E1-9285E
5A	A1710	OVEN DOOR COMPLETE - BOTTOM RH	AS9E1-9285F
6	A1711	DOOR - HOT CUPBOARD - TOP	AS9E1-9285G
6A	A1712	H/CUPBOARD BOTTOM OVEN DOOR	AS9E1-9285H
7	A1904	ROPE THERMOSEAL No. 4 x 1230 LG - UP TO M01-080	JTHR20389X47IN
	A3936	BLACK T/SEAL ROPE - BTM OVEN DOOR FROM M01-080	AG4M997917
8	A1483	OVEN DOOR INSULATING COVERS SHALLOW	AO2M90348
9	A1483	OVEN DOOR INSULATING COVERS SHALLOW	AO2M90348
10	A2391	BURNER DOOR OUTER	AG1E2-753A
11	A3053	LIGHTING INSTRUCTIONS - UK & IRELAND	AG4M210317
12	A2274	AGA BADGE	AG4M210184
	A2435	AGA BADGE (ORIGINAL) - NOT SHOWN	AG4M210341
13	NCA	FRONT PLATE - COOKER (UP TO M02-081)	AG5E210249
	A4383	FRONT PLATE (FROM M02-081)	AG5E211245
	A2322	FRONT PLATE C/W DOORS (FROM M02-081)	AG1M211325
14	A5303	FRONT PLATE HOT CUPBOARD (UP TO M02-081)	AG5E210281
	A4907	FRONT PLATE HOT CUPBOARD (FROM M02-081)	AG5E211243
	A2290	ROPE SEAL 12w x 3 THK x 350	JTHR20394
15	NCA	ROPE SEAL 12W x 3THK x 100M ROLL BLK FROM M01-080	JTHR211146
	A2290	ROPE SEAL 12w x 3 THK x 642	JTHR20394
15A	NCA	ROPE SEAL 12w x 3 THK x 100M ROLL BLK FROM M01-080	JTHR211146
19	A2860	SEAL INSULATING FRAME - 15mm x 3mm x 5.5m	JTHR210645
20	A4784	OVEN FRAME KIT	AG4M211602
21	A2179	GAS PIPE SEALING PLATE	AG2M210230
22	NCA	DATA PLAQUE - NG	AG2M212053
	NCA	DATA PLAQUE - LPG	AG2M212054
23	A3956	DOOR CATCH	AG4M250478
24	A4706	DOOR CATCH GASKET	JGSG211270
25	A4707	LOCKING NUT - M5 x 0.8	KNUT500485
26	NCA	LENS COVER	AG4M212033
27	A5455	CONTROLS COVER	AG2M212030
28	A5381	PCB CONTROLLER	AG4M211996
29	R2190	CABLE CLAMP	RG4M26192
30	NCA	PCB SPACER	AG4M212014
31	A5599	PCB INSULATION PAD	JPAD212089
32	NCA	GASKET - PCB MOUNTING PLATE	JGSG212090
33	NCA	CONTROLS MOUNTING PLATE	AG2M212004
34	NCA	GROMMET - CONTROLS MOUNTING PLATE	AG4M212105
35	NCA	GASKET - CONTROLS MOUNTING PLATE	JGSG212091
36	A5433	CABLE GUIDE TUBE ASSY	AG1M212077
37	A5382	HANDSET - UP TO M10-048	AG4M211997
37A	A5609	HEAT INDICATOR HANDSET (GAS AIMS) FROM M10-048	AG4M212193
38	A5177	OVEN THERMOCOUPLE	AE4M230890



AGA AIMS GE - OPEN FLUE (UK)
 BASE, SIDES, BACK PLATES AND HOT CUPBOARD

BASE, SIDES, BACKPLATES AND HOTCUPBOARD

ITEM No.	CAT No.	DESCRIPTION	PRODUCT CODE
1	A2983	SIDE PLATE COOKER	AG2V210346
2	A2118	CORNER STAY ROD 5/16" BSW x 830mm	AG4M210226
3	A2346	OVEN STAY ROD M8 x 490mm	AG4M41129
4	NCA	BURNER CHAMBER SUPPORT ADJUSTER	AO4M220259
4A	R5022	M12 HEX FULL NUT	KNUT53135
4B	NCA	SPLIT NUT M10 x 1.0	KNUT500442
6	A2373	FILLER PIECE - large	AO2M210194
7	A4459	BASE FRONT FILLER PIECE - SMALL	AS2M90080R
8	A2374	RH BASE PLATE FILLER	AO2V210306
9	A3544	FLUE OUTLET BANKING PLATE	AG2M210568
10	A2659	BASE PLATE	AG4M210560
11	A3186	BASE PLATE HOTCUPBOARD	AG1M210798
12	A2118	CORNER STAY ROD 5/16" x 830mm	AG4M210226
13	A2982	SIDE PLATE - HOT CUPBOARD	AG2V210345
14	A3260	BACK PLATE - HOT CUPBOARD	AG2M210657
15	A3262	HOTCUPBOARD OVEN SHELL ASSEMBLY	AG1M210796
16	A3261	AIR BAFFLE	AG2M210797
17	NCA	FRONT PLATE SPACING KIT (UP TO M02-109)	AG2M210517
	A4075	BRACKET STAND-OFF (FROM M02-109)	AG2V211283
18	A3647	OVEN DIVIDING SHELF - PERFORATED	AO5V211617
19	A1612	BACK PLATE	AS2M200052