

AGA GAS AIMS POWER FLUE

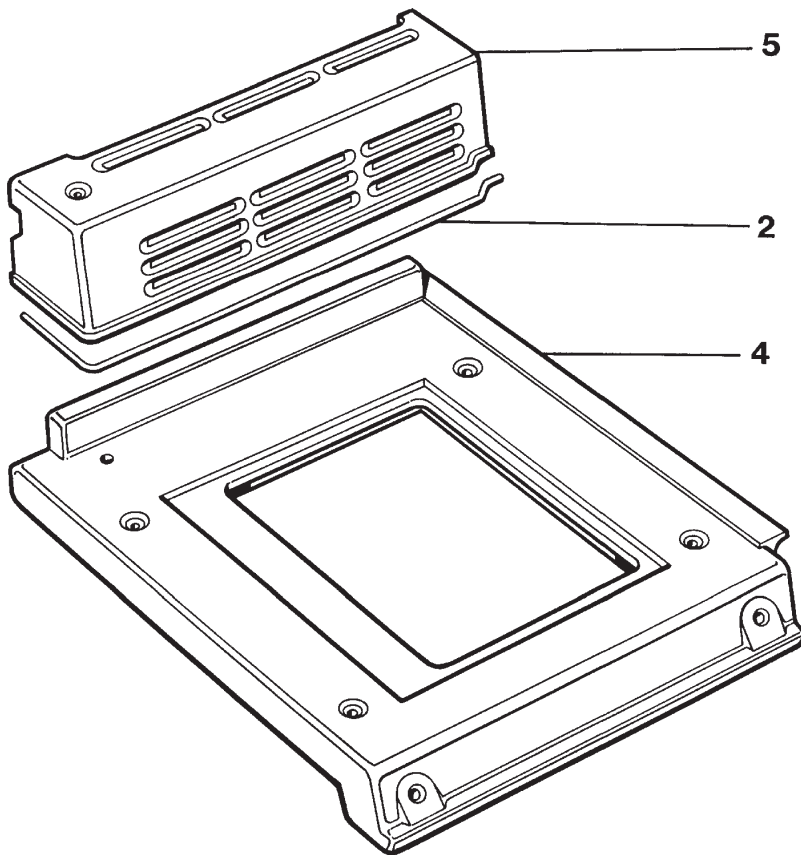
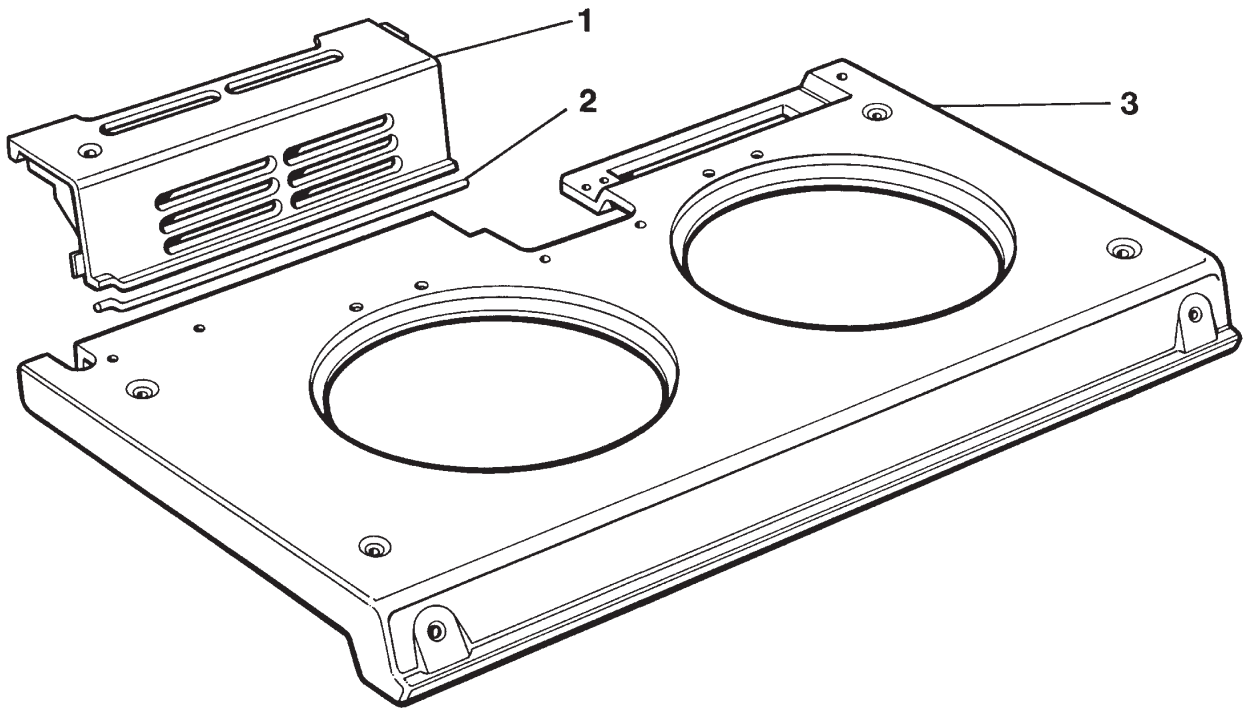
SPARE PARTS MANUAL

(Components Unique to Power Flue Only)

**AGA GAS AIMS POWER FLUE
SIT GAS BURNER ASSEMBLY**

OCTOBER 2010

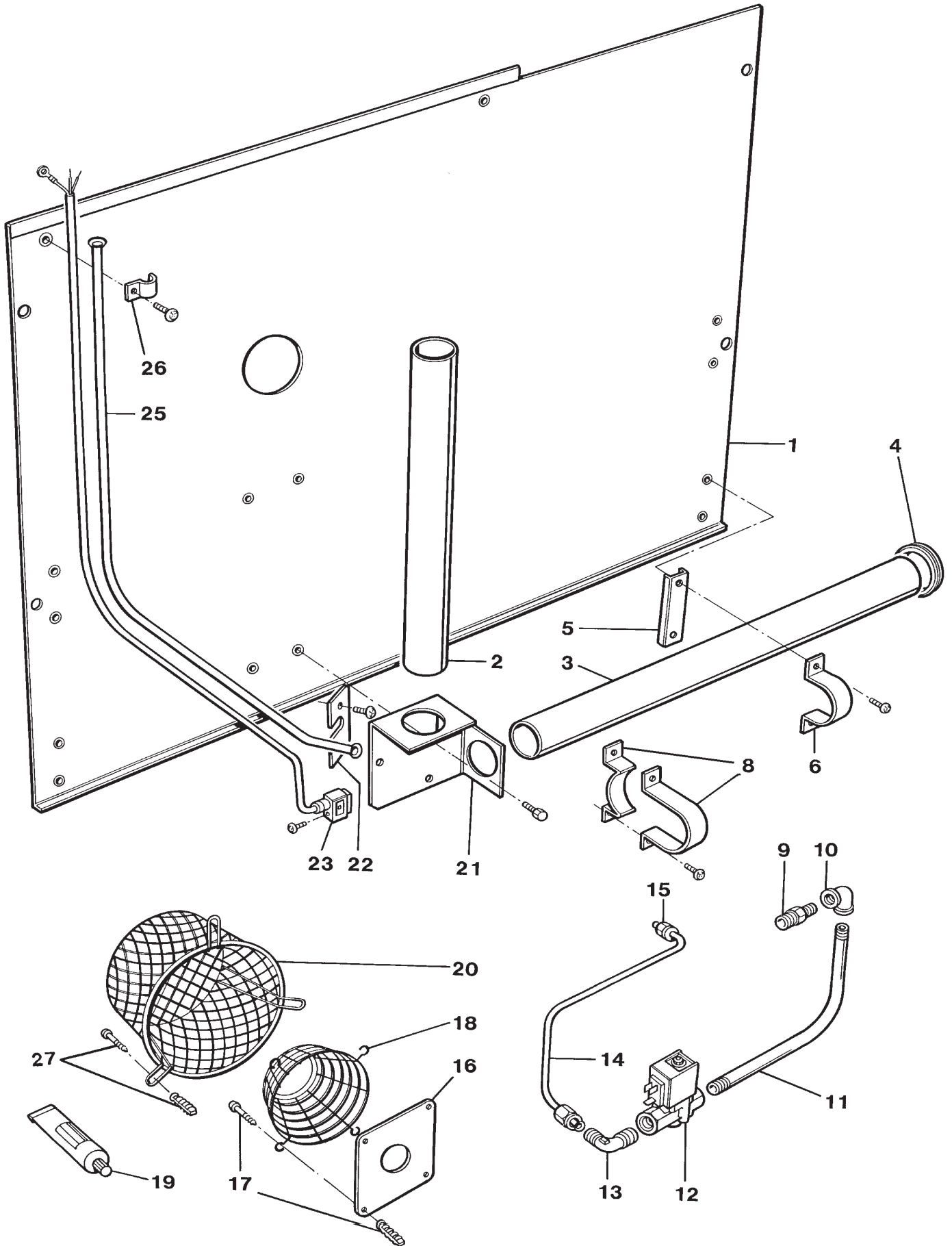
ITEM No.	CAT No.	DESCRIPTION	PRODUCT CODE
05	A2168	BURNER FURIGAS	AG4M210236
10	A5485	PILOT ASSEMBLY - NG	AG4M212087
10	A5642	PILOT ASSEMBLY - LPG	AG4M211988
15	NCA	THERMOCOUPLE	RG4T313799
20	NCA	BURNER DOOR ASSEMBLY	AG1M211928
25	G1094	SIGHT GLASS FRAME	AG2M210019
30	A2204	SIGHT GLASS GASKET	AG4M210011
35	A1236	SIGHT GLASS	AG4M30840
40	A4216	BURNER INJECTOR CAT 82	AG4M211236
40	A4217	INJECTOR BRAY CAT 92 (170)	AG4M211253
45	NCA	INJECTOR FEED PIPE	AG4M212010
50	NCA	PILOT FEED PIPE	AG4M212006
55	NCA	SOLENOID FEED PIPE	AG4M212008
60	A5497	GAS VALVE	AG4M212084
60A	A4652	GAS BY-PASS SCREW LPG (65)	KBYP211667
60B	A4872	GAS BY-PASS SCREW NG (110_	KBYP211668
65	NCA	3/8" BSP M x 8mm COUPLING	RG4M312137
70	NCA	GAS VALVE MOUNTING BRACKET	AG1M211931
75	NCA	GAS VALVE SPACER	AG4M211706
80	A2162	INSULATION PAD - VALVE BAFFLE	JPAD210200
85	R2601	GAS SHUT-OFF COCK	RG4M313792
90	A4602	3/8" TO 1/4" BSP NIPPLE	AG4M211662
95	NCA	3/8" M/F ELBOW	AG4M211990
100	A5387	SOLENOID (N/O)	AG4M211998
105	A3518	1/4" TO 8mm ELBOW	AG4M210556
110	A1501	1/4" TO 1/4" NIPPLE	AO4M35670
115	A5454	SOLENOID (N/C)	AG4M212031
120	NCA	PILOT FIXING BRACKET	AG2M211937
125	NCA	INSULATION PAD - BURNER DOOR	NCA



**TOP PLATES, 4 OVEN & HOTCUPBOARD SHROUDS
AGA GAS AIMS POWER FLUE**

AGA GAS AIMS POWER FLUE OCTOBER 2010
TOP PLATES, 4 OVEN & HOTCUPBOARD SHROUDS

ITEM No.	CAT No.	DESCRIPTION	PRODUCT CODE
1	A2997	LH SHROUD ASSY	AG1M210625
2	A1900	FLUE SHROUD SEALING ROPE - 5mm x 1300mm	JTHR20340
3	A2980	TOP PLATE	AG5E210543
4	A2979	TOP PLATE - HOT CUPBOARD	AE5E230277
5	A1117	HOTCUPBOARD SHROUD	AE5E1-18772

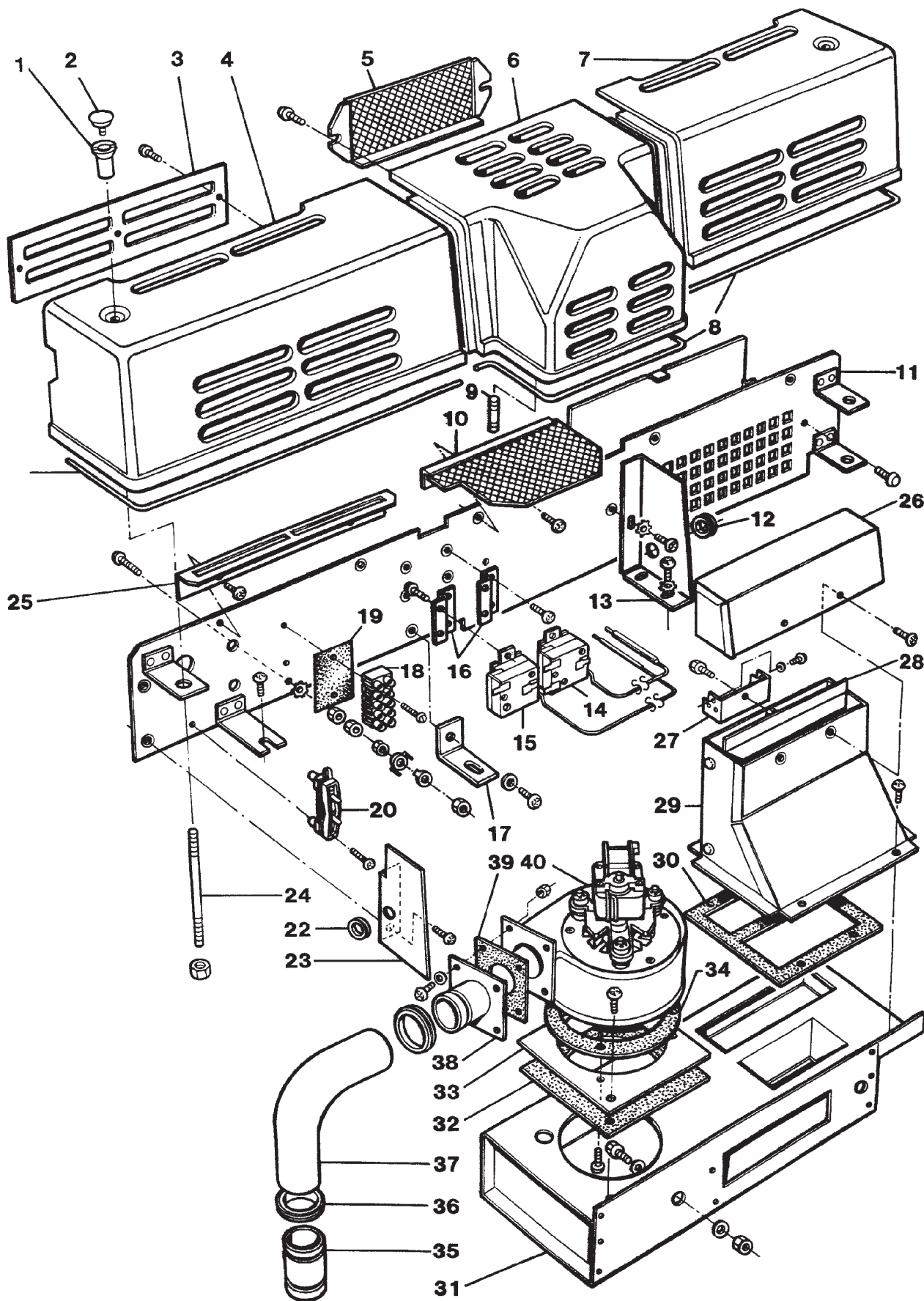


**FLUE PIPEWORK, TERMINAL & BACKPLATE
AGA GAS AIMS POWER FLUE**

**AGA GAS AIMS POWER FLUE
FLUE PIPEWORK, TERMINAL & BACKPLATE**

OCTOBER 2010

ITEM No.	CAT No.	DESCRIPTION	PRODUCT CODE
1	A3451	BACK PLATE	AG2M210344
2	A3007	VERTICAL FLUE PIPE	AG4M210380
3	A3006	HORIZONTAL FLUE PIPE	AG4M210566
4	A3244	SIDE PANEL GROMMET - RB 3516	AG4M210557
5	A3540	FLUE PIPE SUPPORT BRACKET	AG2M210357
6	A2569	FLUE PIPE LOCATION BRACKET (PAIR)	AG4M210358PR
8	A2570	FLUE PIPE CLAMP ASSY	AG4M210360PR
9	A2062	3/8" x 1/4" BSP TAPER HEX NIPPLE	AG4M35636
10	A2192	1/4" BSP FEMALE ELBOW	AG4M28623
11	A3517	SOLENOID CONNECTING TUBE	AG4M210382
12	R3218	SOLENOID (U.K.)	RG4M313331
	A3243	SOLENOID (U.S.A.)	AG4M210687
13	A3518	1/4" BSP TAPER x 8mm DIA TUBE COMP ELBOW	AG4M210556
14	A3011	BURNER FEED TUBE	AG4M210383
15	F3002	8mm COMPRESSION NUT	FG4M420151
16	A2995	FLUE TERMINAL PLATE	AG2M210456
17	A3499	RAWL PLUG AND WOOD SCREW No. 8 x 1"	KRAW40583
	A2279	WOODSCREW RH HD No. 8 x 1" SLOTTED	KRDH49601
18	A1233	FLUE PIPE GUARD (TERMINAL GRILL)	AG4M30439
19	A2575	FLUE PIPE SEALANT	MADH210578
20	A3000	TERMINAL GUARD - UP TO M06-170	HG4M410189
20A	A2227	TERMINAL GUARD - FROM M06-170	AG4M210160
21	A3539	FLUE PIPE POSITIONING BRACKET	AG2M210356
22	A3008	CABLE TUBE FIXING BRACKET	AG2M210522
23	A4212	SOLENOID PLUG & CABLE ASSY (U.K.)	AG4M210577
	A3872	SOLENOID PLUG & CABLE ASSY (U.S.A.)	AG4M210677
25	A2635	CABLE GUIDE TUBE	AG4M210355
26	A3013	CABLE TUBE FIXING CLIP	AG4M210459
27	NCA	RAWL PLUG AND WOOD SCREW No. 12	KRAW40581



**FAN ASSEMBLY & COMPONENTS INC. SHROUDS
AGA GAS AIMS POWER FLUE**

**AGA GAS AIMS POWER FLUE
FAN ASSEMBLY & COMPONENTS INC. SHROUDS (FROM M04-179)**

OCTOBER 2010

ITEM No.	CAT No.	DESCRIPTION	PRODUCT CODE
1	A2127	CORNER STAY NUT (U.K.)	AG4M210227
2	A2119	CORNER STAY BUTTON	AG4M210228
3	A3547	LH SHROUD FRONT PLATE	AG2V210569
4	A2146	LH SHROUD (2 OVEN MODEL)	AE5E230158
5	A4860	FAN SHROUD FRONT PLATE	AG2V211638
6	A4599	FAN SHROUD	AG5E210547
7	A3028	RH SHROUD	AG5E210376
8	A1900	FLUE SHROUD SEALING ROPE 5mm x 1300mm	JTHR20340
9	A2986	SHROUD LOCATION STUD	KSTD52085
10	A5156	CENTRE SHROUD TOP PLATE	AG2V211633
11	A4708	REAR SHIELD ASSY	AG1M211688
12	R2719	CHASSIS GROMMET	RG4M31317
13	A3541	FAN SHROUD BAFFLE	AG2M210389
14	A4481	FLUE TEMPERATURE STAT - 75°C (U.K.)	AG4T211644
15	A3034	FLUE TEMPERATURE STAT - 80°C (U.K.)	AG4T210541
16	A3029	FLUE STAT MOUNTING BRACKET	AG2M210354
17	R2891	FIXING BRACKET - BOILER LH	RO2M321281
18	A2471	12-WAY TERMINAL BLOCK	AE4M45669
19	A5448	TERMINAL BLOCK LABEL	EGLL210575
20	R2190	CABLE CLAMP	RG4M26192
21			
22	R2719	CHASSIS GROMMET	RG4M31317
23	A3543	SHROUD END BRACKET (4 OVEN MODEL)	AG2M210567
24	A1102	SHROUD STAY RODS	AE4M44115
25	A3546	END SHROUDS TOP PLATE	AG2V210377
26	A4738	FLUE MIXING SHROUD	AG2V211651
27	A3030	STAT PHIAL LOCATION BRACKET	AG2M210448
29	A4709	FLUE OUTLET NOZZLE ASSY	AG1M211649
30	A3038	FLUE NOZZLE GASKET	JGSG210452
31	A4680	FLUE DUCT ASSY	AG1M211654
32	A3037	FAN MOUNTING PLATE GASKET	JGSG210453
33	A2988	FAN MOUNTING PLATE	AG2M210351
34	C1591	FAN SEALING GASKET	JGSG410143
35	A2571	FLUE TUBE COUPLING - 4-OFF	HG9M410164COMP
36	(included with above)	FLUE PIPE SEALING RING	HG4M410180
37	A2574	FLUE PIPE BEND 90°	AG4M210381
38	A2989	FAN OUTLET ADAPTOR ASSY	AG1M210352
39	A3513	FAN OUTLET GASKET	JGSG210455
40	A2992	FLUE EXTRACTOR FAN (U.K.)	AG4M211685
	A4474	FLUE EXTRACTOR FAN C/W ADAPTOR LEADS	AG1M211686
Not Illustrated	A2626	FLUE PIPE BEND 45°	AG4M210618
	A2572	FLUE PIPE 1m PLASTIC COATED	AG4M210559
	A2573	FLUE PIPE 2m PLASTIC COATED	AG4M210576
	A5162	SEALING 'O' RING - PACK OF 8	AG4M211747
	A2571	FLUE COUPLING ASSEMBLY	HG9M410164COMP