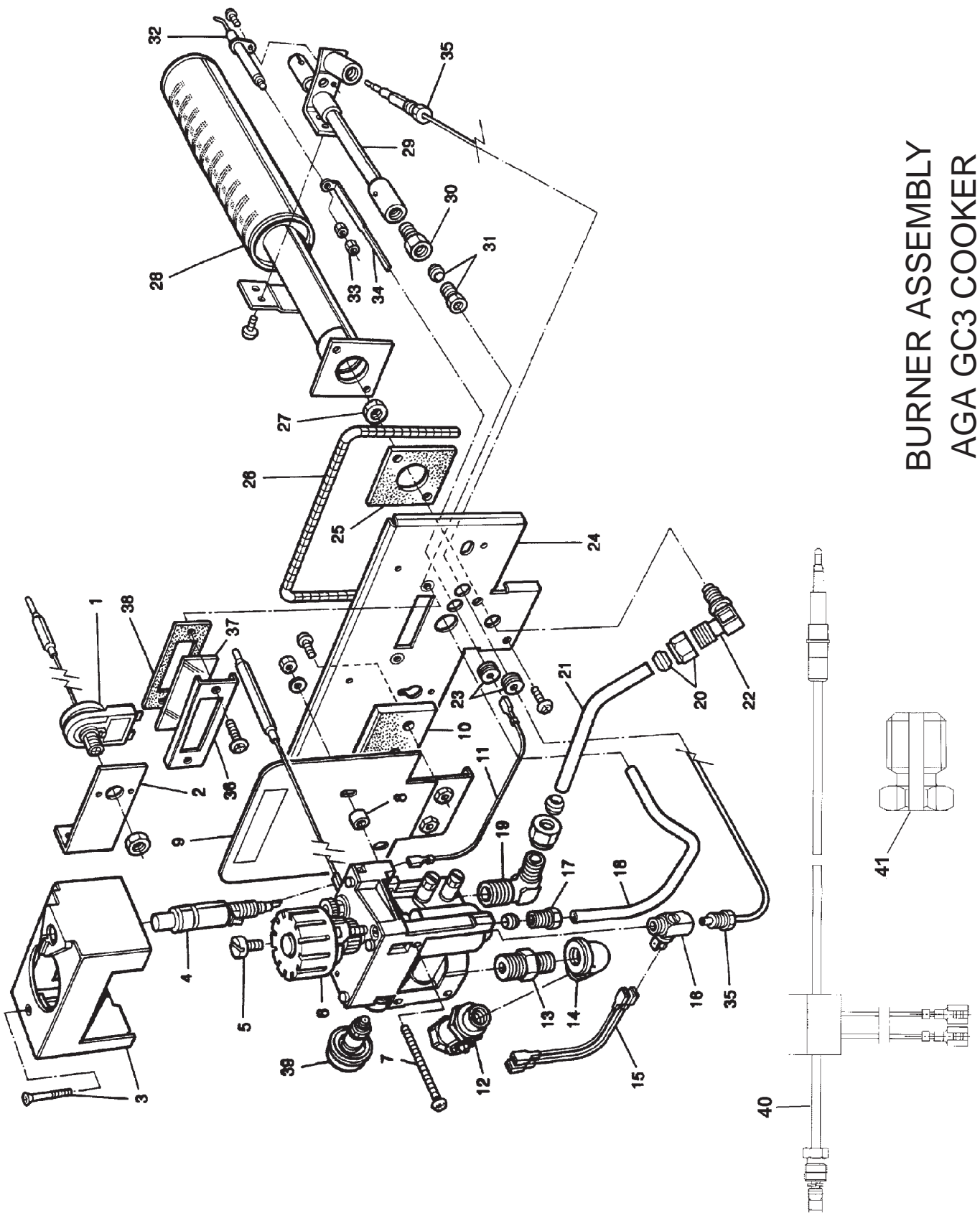


**AGA GC3
COOKER**

***SPARE PARTS
MANUAL***

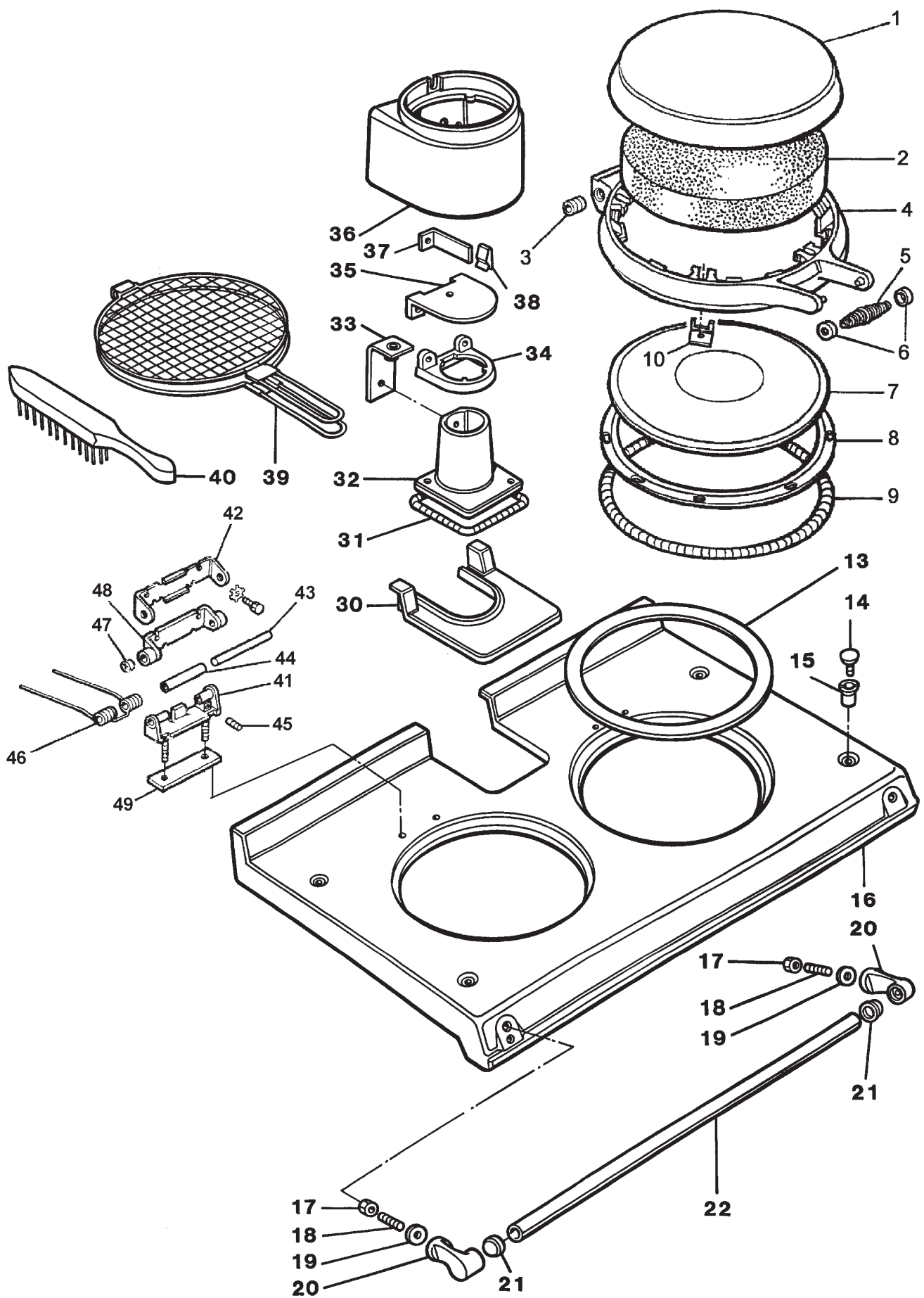
BURNER ASSEMBLY AGA GC3 COOKER



**AGA GC3 COOKER
BURNER ASSEMBLY**

MAY 2011

ITEM No.	CAT No.	DESCRIPTION	PRODUCT CODE
1	A2930	FLUE SPILLAGE THERMOSTAT	AG4T210686
2	A2664	SPILLAGE STAT MOUNTING BRACKET	AG2M210388
3	A2171	CONTROL COVER AND SCREW	AG4M210177
4	A2172	PIEZO IGNITOR	AG4M210178
5	A2154	BYPASS SCREW NG 1.0	KBYP210181
5A	A5851	BYPASS SCREW LPG 0.6	KBYP211274
6	A2160	GAS VALVE - SIT	AG1M210175
7	NCA	M5 x 65 LG PAN HEAD SCREW	KPAN500487
8	NCA	SPACER - VALVE	AG4M211263
9	A5333	GAS V/V MOUNTING ASSY	AG1M211215
10	A2162	INSULATION PAD - GAS V/V BAFFLE	JPAD210200
11	NCA	ELECTRODE HT LEAD	AG4M211088
12	R2601	GAS TAP	RG4M313792
13	A2062	3/8" BSP x 1/4" BSP HEX NIPPLE	AG4M35636
14	A1222	ELBOW 1/4" BSP M & F	AG4M286217
15	NCA	FLUE STAT WIRE - UP TO M08-087	AG4M211291
16	A2678	THERMOCOUPLE INTERRUPTOR BLOCK - UP TO M08-087	AG4M210291
17	A2199	6mm TUBE NUT	KNUT500003
18	A5205	PILOT INLET PIPE	AG4M211234
19	A2170	3/8" BSP MALE x 8mm O/D COMP ELBOW	AG4M210241
20	F3002	NUT 8mm	FG4M420151
20A	F3001	OLIVE 8mm	FG4M420149
21	A5184	BURNER INLET PIPE	AG4M211235
22	A4216	INJECTOR NG - BURNER	AG4M211236
22A	A4217	INJECTOR LPG BURNER - 170	AG4M211253
23	A4046	GROMMET - REEVITE	AG4M211223
24	A4218	BURNER DOOR ASSY	AG1M211416
25	A5277	BURNER INSULATION PAD	JPAD211188
26	NCA	ROPE T/SEAL 3F	JTHR20438
27	R2199	LOCKNUT 1/8" BSP	KNUT35297
28	A4246	BURNER - FURIGAS	AG4M210993
29	A4219	PILOT BURNER ASSY - NG (INCLS 30, 31, 32 & 33)	AG4M211251
29A	A4220	PILOT BURNER ASSY - LPG	AG4M211252
30		SEE ITEM 29	
31		SEE ITEM 29	
32	A4763	PILOT BURNER ELECTRODE	AG4M997055
33		SEE ITEM 29	
34	A4221	ELECTRODE CONNECTOR STRIP/IGNITOR HT LEAD ASSY	AG4M211419
35	A2369	THERMOCOUPLE KIT - UP TO M08-087	RG4M998603
35A	A2228	M9 SPLIT NUT	KNUT500441
36	G1094	SIGHT GLASS FRAME	AG2M210019
37	A1236	SIGHT GLASS	AG4M30840
38	A2204	SIGHT GLASS GASKET	AG4M210011
39	A2902	GAS REGULATOR - NG	AG4M210431
	A2541	GAS REGULATOR - LPG	AG4M210432
40	NCA	INTERRUPTED T/C ASSY (G1902230) - FROM M08-087	AG4M212036
41	A5475	SPLIT NUT FOR PILOT (G6032114) - FROM M08-087	AG4M212037

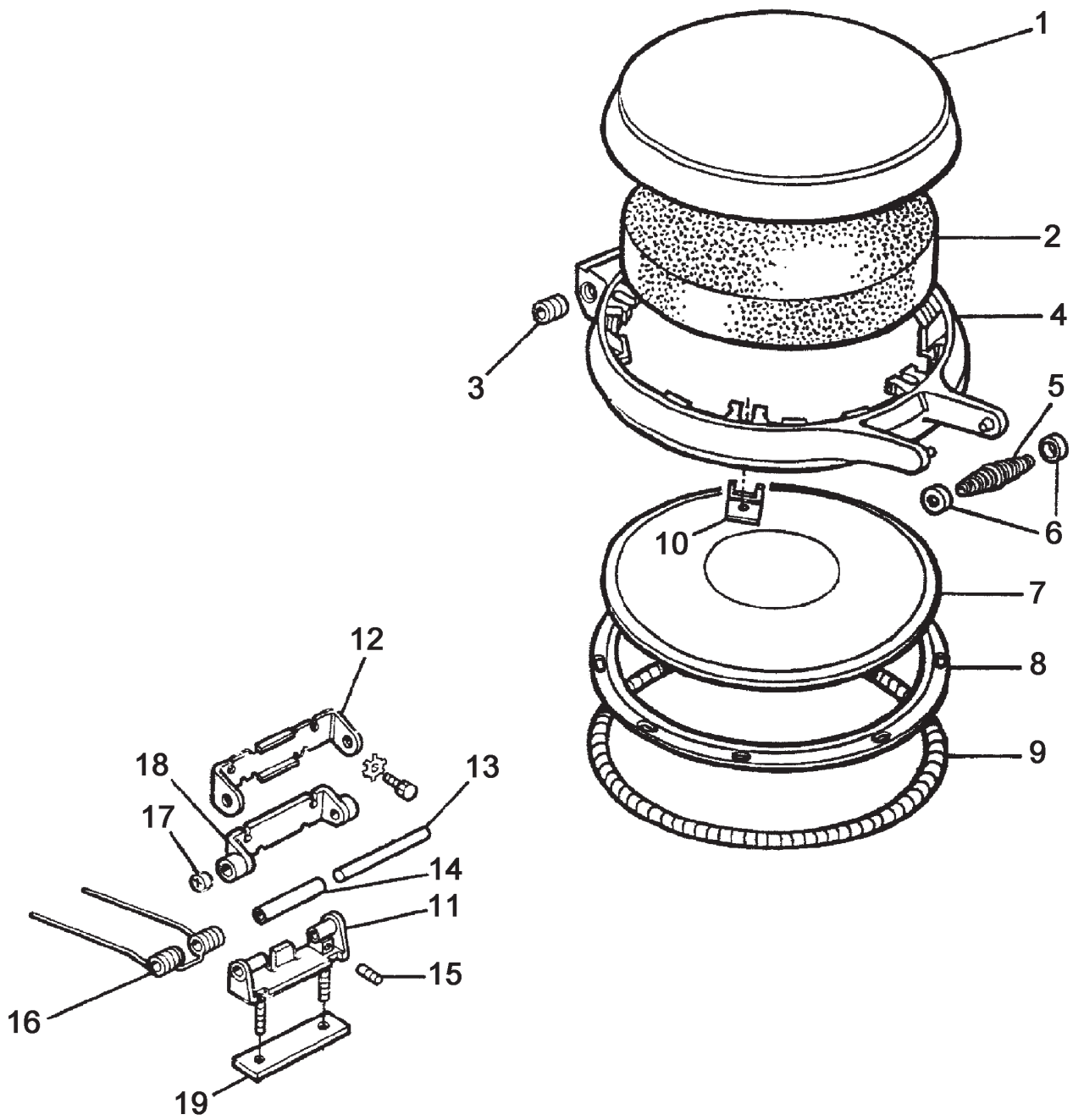


AGA AIMS GC3 COOKER
 TOP PLATE AND INSULATING COVERS (UP TO M05-008)

**AGA GC3 COOKER
TOP PLATE, INSULATING LIDS**

OCTOBER 2010

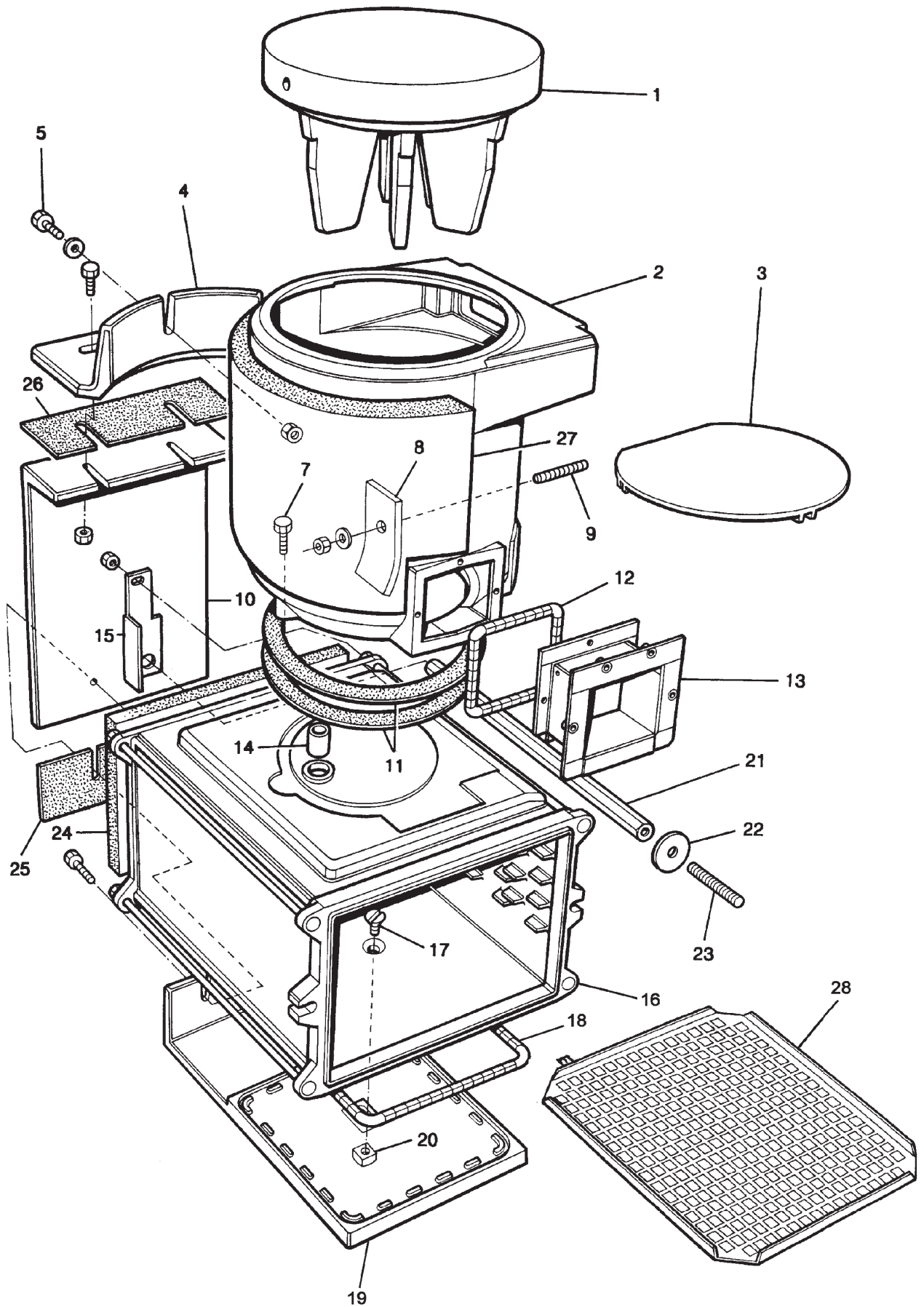
ITEM No.	CAT No.	DESCRIPTION	PRODUCT CODE
1	A3614	ST/STEEL INSULATING LID COVER	AG4M210905-K
	NCA	INSULATING LID - CI (NOT SHOWN)	AG5E210864
	NCA	INSULATING LID - CHROME (NOT SHOWN)	AG4M28101
	NCA	STEEL DOME ASSY COMPLETE	AG1M210917
2	A3283	GRUB SCREW SKIT M10 x 25mm LG	KGRB500445
3	A2583	M6 x 6mm LNG SKT GRUB CUP PNT	KGRB500437
4	A3501	ADJUSTABLE PIVOT BEARING	AG4M210620
5	A5074	DOME INSULATION PAD - 50mm	JPAD211934
6	A3511	INSULATING LID OUTER RING	AG5E210862
7	R3028	COIL HANDLE	RO4M340522
8	R3029	INSULATING LID HANDLE CUPS	RO4M340521
9	A3636	DOME CLAMPING BRACKET	AG4M210904
10	A1632	INSULATING LID LINING RH	AS4M34760
11	A1647	INNER HOLDING RING	AS4M40980
12	A1863	DOME SEALING ROPE	JMAR20410
13	A1342	INSULATING RING	AG5M210840
14	A2119	CORNER STAY BUTTON 5/16" BSW	AG4M210228
15	A2123	CORNER STAY NUT 5/16" BSW	AG4M210244
16	A2246	TOP PLATE	AG5E210167
17	R2630	NUT M8 x 35 LG	KNUT53061
18	A4192	ALLTHREAD M8 x 35 LG	KSTD500010
19	A3664	WASHER M8 ID SHAKEPROOF S/S	KWSR53346
20	A2314	HANDRAIL BRACKET	AG4M210853
21	A2975	VINYL END CAP	AG4M210660
22	A1630	HANDRAIL	AG4M210642
23	A3117	HINGE SPRING - ST/ST LID	AG9M998347
	A3118	HINGE SPRING - CAST IRON LID (NOT SHOWN)	AG9M998348
24	A3134	HINGE SPINDLE	AG4M210775
25	A3184	HINGE BLOCK - INSUL. LID	AG5E210860
26	A2081	M6 x 25mm STUD	AG4M211021
27	A2589	HINGE BLOCK GASKET	JGSG210477
28	A2583	M6 x 6mm LG SKT GRUB SCREW	KGRB500437
29	A4101	M6 x 10mm LG SKT GRUB SCREW	KGRB50512
30	A1317	FLUE COLLAR - STD FLUE	AG5E1-9269
31	NCA	ROPE 5mm DIA x 455mm LG	JTHR20393
32	A1316	FLUE OUTLET NOZZLE	AG1M211184
33	A2206	FLUE DIVERTER FIXING BRACKET	AG2M210212
34	A1334	FLUE PIPE LOCATING RING	AG5V3-544
35	A1354	DIVERTER HOOD BAFFLE PLATE	AG5V211182
36	A2990	DOWN DRAUGHT DIVERTER HOOD (4" FLUE)	AG5E210825
37	A2872	STAT PHIAL SUPPORT BRACKET	AG2M210282
38	A3031	STAT PHIAL LOCATION CLIP	KCLP500283
39	A1843	TOASTER	EACS47380
40	A1841	WIRE BRUSH	EACS23230



AGA HINGES & INSULATING LIDS
FROM MOD CHANGE M05-008

AGA GC3 COOKER **OCTOBER 2010**
HINGES & INSULATING COVERS FROM MOD CHANGE M05-008

ITEM No.	CAT No.	DESCRIPTION	PRODUCT CODE
1	A3614	ST/STEEL INSULATING LID COVER	AG4M210905-K
	NCA	INSULATING LID CI (NOT SHOWN)	AG5E211528
	A4637	ST/STEEL DOME ASSEMBLY - COMP.	AG1M211766
	A4639	CI DOME ASSEMBLY - COMP. (NOT SHOWN)	AG1M211765
2	A5074	DOME INSULATION PAD - 50mm	JPAD211934
3	A4816	M12 x 16 GRUB SCREW	KGRB500520
4	A4825	INSULATING LID OUTER RING	AG5E211310
5	R3028	COIL HANDLE	RO4M340522
6	R3029	INSULATING LID HANDLE CUPS	RO4M340521
7	A1632	INSULATING LID LINING - RH	AS4M34760
8	A1647	INNER HOLDING RING	AS4M40980
9	A1863	DOME SEALING ROPE	JMAR20410
10	A3636	DOME CLAMPING BRKTS - ST/ST LIDS ONLY	AG4M210904
11	A4641	HINGE ASSY WITHOUT SPRING	AG4M211742
11A	A4642	HINGE ASSY WITH SPRING - VE (UP TO M06-170)	AG4M211743
11B	A5157	HINGE ASSY - VE LIDS (FROM M06-170)	AG4M211921
12		PART OF ITEM 11 & 11A	
13		PART OF ITEM 11 & 11A	
14	NCA	SPINDLE SLEEVE (PART OF ITEM 11 & 11A)	AG4M997030
15	A5404	SCREW M5 x 16 LG GRUB	KGRB500521
16	A3646	SPRING (PART OF ITEM 11A/B)	AG4M210774
17	A4658	ADJUSTER (PART OF ITEM 11 & 11A)	AG4M997031
18		PART OF ITEM 11 & 11A	
19	A2589	HINGE BLOCK GASKET	JGSG210477
19A	NCA	GASKET HINGE BLOCK - VE LIDS (FROM M06-170)	JGSG211914

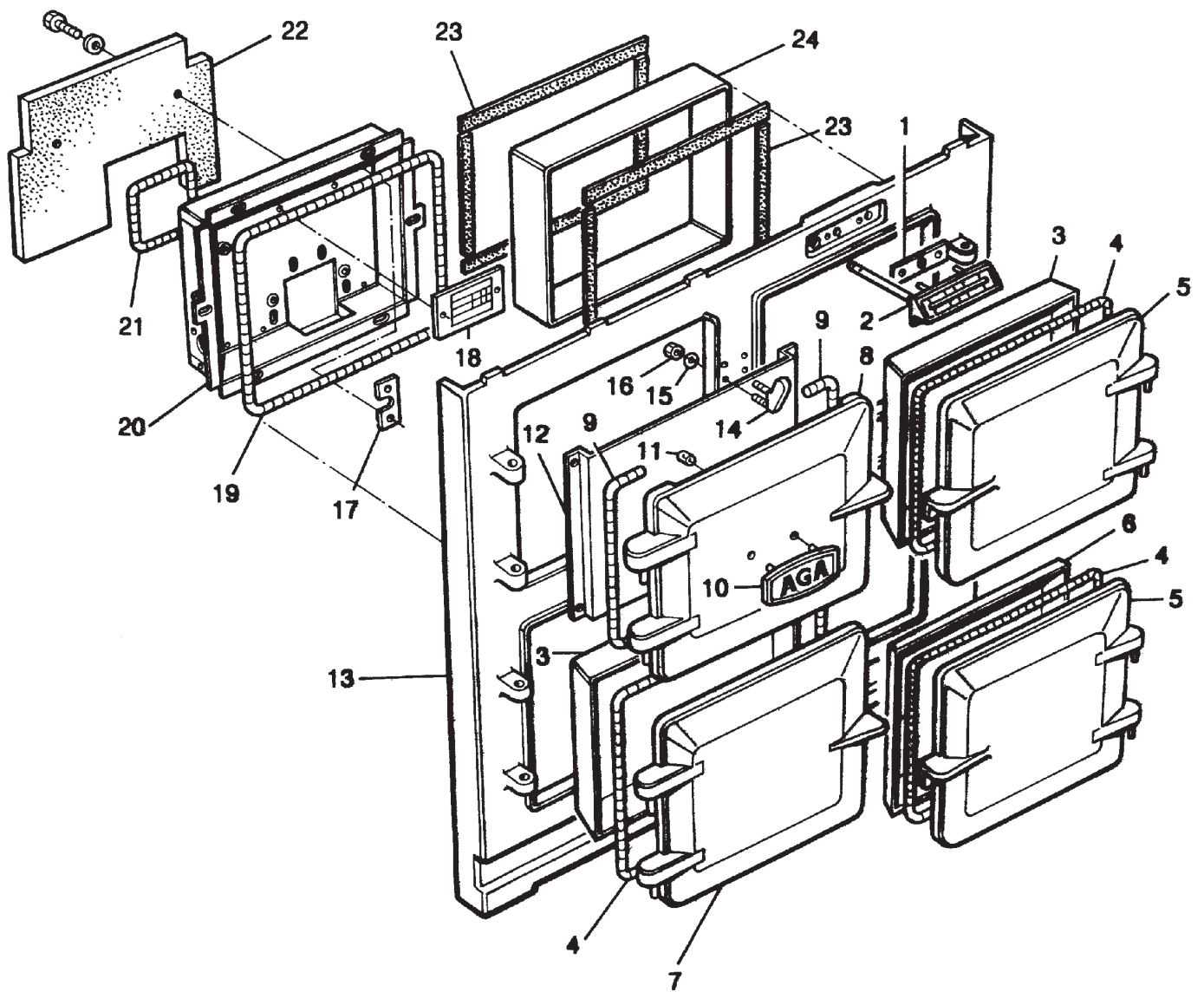


HOTSPOT, FIRE BARREL & BAKING OVEN
AGA GC3 COOKER

**AGA GC3 COOKER
HOT SPOT, FIRE BARREL AND BAKING OVEN**

OCTOBER 2010

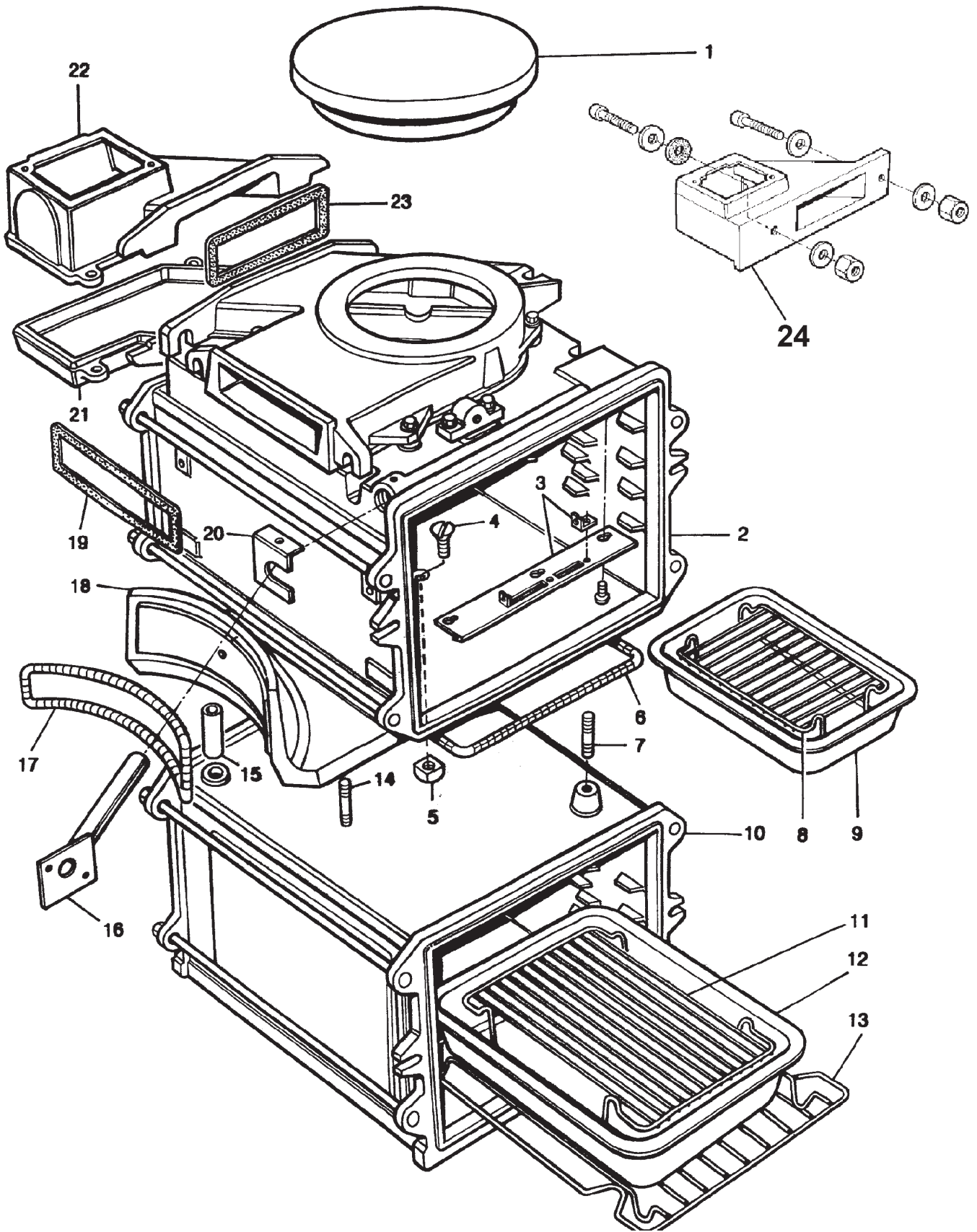
ITEM No.	CAT No.	DESCRIPTION	PRODUCT CODE
1	A1522	LH HOT SPOT	AO4M1-386
2	A4222	FIRE BARREL	AG4M210992
3	A4963	FIRE BARREL BAFFLE - UP TO M06-133	AO4M220575
3A	A1525	FIRE BARREL BAFFLE - NG (FROM M06-133)	AO5M220647
3B	A1327	FIRE BARREL BAFFLE - LPG (FROM M06-133)	AG5M2-687
4	A4403	BARREL HEAT CONDUCTING PLATE	AG5M211029
5	A3769	M10 x 40 CAP HEAD	KMIS500337
6	NCA	NUT M10 ST/ST	KNUT500311
7	A4936	M8 x 60 HX HD SET PIN	KHEX500498
8	A3166	BARREL FIXING CLAMP	AG2M210485
9	A3289	BARREL FIXING STUD	KSTD210489
10	A4223	REAR HEAT CONDUCTING PLATE	AG5M211100
11	A4224	BARREL GASKET	JGSG211378
12	R5100	CERAMIC ROPE - 10 DIA x 455mm LG	JCRP342282
13	A4225	TUNNEL ASSY	AG1M211040
14	R4992	VENT PIPE	RG4M313720
15	A4781	SECURING BAR RESTING PLATE	AG2M211379
16	A4187	BAKING OVEN ASSY	AG1M-3-3M-BO
17	NCA	SCREW M12 x 30	KCSK500460
18	A2961	ROPE 9mm x 1165 LG	JTHR220116
19	A4226	BOTTOM HEAT CONDUCTING PLATE	AG5M211031
20	A3639	M12 SQ NUT	KNUT500013
21	A4837	LOWER OVENS SECURING BAR	AG4M211377
22	NCA	WASHER M8 x 22mm	KWSR53410
23	A3625	M8 x 118 ALLTHREAD	KSTD210019
24	A4630	REAR BAKING OVEN INSULATION	JPAD211289
25	A4227	HEAT CONDUCTION GASKET LOWER	JGSG211409
26	A4228	HEAT CONDUCTION GASKET UPPER	JGSG211410
27	A4631	FIRE BARREL INSULATION WRAP	JPAD211288
28	A4467	OVEN BAFFLE PLATE	AG2M211648



FRONT PLATES, DOORS AND BURNER HOUSING ASSY
AGA GC3 COOKER

AGA GC3 COOKER **OCTOBER 2010**
FRONT PLATE, DOORS AND BURNER HOUSING ASSY

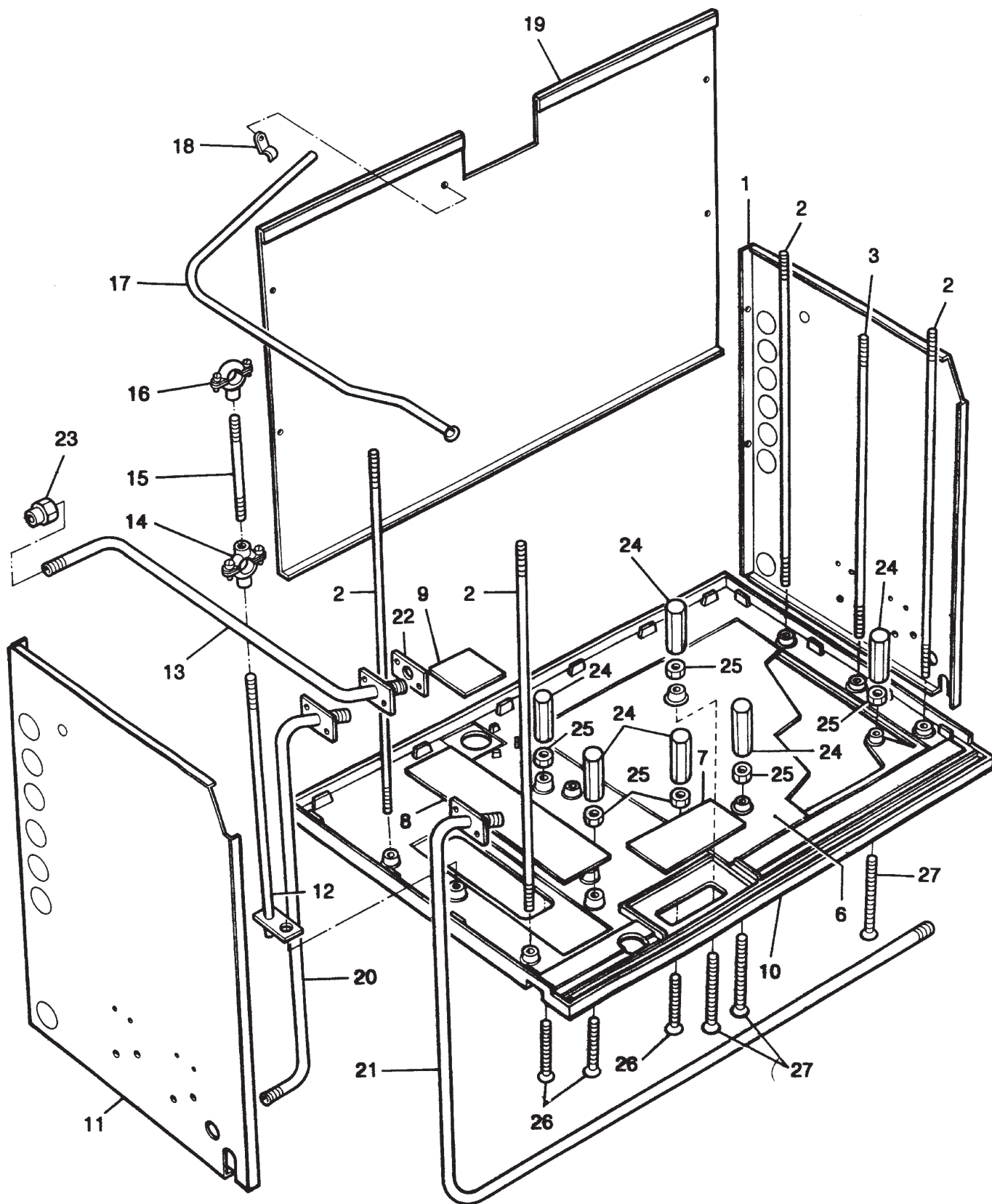
ITEM No.	CAT No.	DESCRIPTION	PRODUCT CODE
1	A2115	THERMOMETER RETAINING PLATE - UP TO M10-102	AO9M220004COMP
2	A1518	THERMOMETER - UP TO M10-102	AO4T46210
	A5662	BRANNAN HEAT INDICATOR AND SPARES KIT (PRE M10-102)	AG9M996187
	NCA	LIQUID FILLED HEAT INDICATOR - FROM M10-102	AE4T231182
2A	A1314	THERMOMETER (HOLLAND ONLY)	AG4T46290
3	A1482	COVER INSULATION	AO2M90347
4	A3935	ROPE T/SEAL - BLACK (TOP DOOR)	AG4M997916
	A3936	ROPE T/SEAL - BLACK (BOTTOM DOORS)	AG4M997917
5	A1709	OVEN DOOR COMPLETE - TOP RH	AS9E1-9285E
5A	A1710	OVEN DOOR COMPLETE - BOTTOM RH	AS9E1-9285F
6	A1482	COVER INSULATION	AO2M90347
7	NCA	DOOR	AS5E1-9285L
7A	A4182	OVEN DOOR COMPLETE - LH	AG9M998850
8	A4183	BURNER DOOR - COMP.	AG9M998851
9	NCA	BLACK ROPE TH No. 4 x 290 LG	JTHR210937X290
10	A2274	NAME BADGE	AG4M210184
11	A1567	PUSH-ON FIXING (PAIR)	AO9M38850PR
12	A4381	LIGHTING INSTRUCTIONS	AG4M211524
13	A4962	FRONT PLATE	AG5E211060
13A	A4194	FRONT PLATE COMPLETE	AG1M211332
14	A3956	DOOR CATCH	AG4M250478
15	A4706	DOOR CATCH GASKET	JGSG211270
16	A4707	LOCKING NUT	KNUT500485
17	A3008	CABLE TUBE FIXING BRACKET	AG2M210522
18	NCA	DATA PLAQUE - NG	AG2M211193
	NCA	DATA PLAQUE - LPG	AG2M211194
19	A4418	12mm x 3mm PYROTAPE	JTHR211302
20	A4370	CONTROL MOUNTING BRACKET	AG1M211036
21	A4419	ROPE SEAL 3F	JTHR211303
22	A4420	CONTROL BOX INSULATION PAD	JPAD211187
23	A2860	PYROTAPE	JTHR210645
24	A4784	OVEN FRAME KIT	AG4M211602



ROASTING OVEN, SIMMERING OVEN & FLUE MANIFOLD
AGA GC3 COOKER

AGA GC3 COOKER **OCTOBER 2010**
ROASTING OVEN, SIMMERING OVEN AND FLUE MANIFOLD

ITEM No.	CAT No.	DESCRIPTION	PRODUCT CODE
1	A1527	SIMMERING PLATE	AO5M2-695
2	A3537	ROASTING OVEN ASSY	AG1M-RO-NF
3	A3723	CONTROL PHIAL SUPPORT PLATE	AO1M220145
3A	A3739	PHIAL SECURING ANGLE	AO2M220147
4	NCA	SCREW M12 x 30 LG	NCA
5	NCA	M12 SQUARE NUT	NCA
6	A2961	SEALING ROPE 9mm x 1165 LG	JTHR220116
7	NCA	SCREW M12 x 40mm CUP PNT SKT HEAD	KGRB500338
8	A2312	GRILL RACK - SMALL	AG4M210269
9	A3284	ROASTING TIN - SMALL	EMTY530217
10	A1476	SIMMERING OVEN ASSY	AG1M-SO-NF
11	A2313	GRILL RACK - LARGE	AG4M210268
12	A3285	ROASTING TIN - LARGE	EMTY530218
13	A1282	OVEN GRID SHELF	AE4M211863
14	NCA	SCREW M12 x 40mm CUP PNT SKT HD	KGRB500338
15	A2929	OVEN VENT PIPE BOTTOM	AG4M210488
16	A4453	OVEN PHIAL GUIDE TUBE	AG4M211254
17	A2308	OUTER BARREL GASKET	JGSG210327
18	A2656	BOTTOM HEAT CONDUCTION PLATE	AG5M210486
19	A2308	OUTER BARREL GASKET	JGSG210327
20	A4750	PHIAL GUIDE TUBE LOCATION BRACKET	AG2M211287
21	NCA	FLUE MANIFOLD BOTTOM HALF - SEE 24	AG5M211211
22	NCA	FLUE MANIFOLD TOP HALF - SEE 24	AG5M211192
23	A2306	FLUE MANIFOLD GASKET	JGSG210328
24	A2662	FLUE MANIFOLD ASSY C/W WASHERS & SCREWS	AG9M998911



BASE, SIDE AND BACK PLATE
AGA GC3 COOKER

**AGA GC3 COOKER
BASE, SIDE AND BACK PLATE**

OCTOBER 2010

ITEM No.	CAT No.	DESCRIPTION	PRODUCT CODE
1	A2983	RH SIDE PLATE	AG2V210346
2	A2118	CORNER STAY ROD	AG4M210226
3	A2122	OVEN STAY ROD - TOP	AG4M210229
6	A2373	FILLER BASE PLATE - LARGE	AO2M210194
7	A4459	BASE PLATE FILLER PLATE - SMALL	AS2M90080R
8	A2374	RH BASE FILLER PLATE	AO2V210306
9	A3544	FLUE OUTLET BANKING PLATE	AG2M210568
10	A2659	BASE PLATE	AG4M210560
11	A2982	LH SIDE PLATE	AG2V210345
12	A4865	PIPE WORK SUPPORT RAIL	AG4M211269
13	A4247	MAINS GAS FEED PIPE - (GC3M ONLY)	AG4M211246
14	A4372	PIPE RING CLIP DOUBLE	AG4M211266
15	A5427	PIPE WORK SUPPORT STUD	AG4M211268
16	A4373	PIPE RING CLIP SINGLE	AG4M211267
17	A4417	PHIAL GUIDE TUBE - FLUE STAT	AG4M211247
18	A3013	CABLE TUBE FIXING CLIP	AG4M210459
19	A1612	BACK PLATE - FROM M03-064	AS2M200052
19	NCA	BACK PLATE - UP TO M03-064	AG2M211393
20	A4248	GAS INLET SUPPLY PIPE - LH (GC3 ONLY)	AG4M211306
21	A4249	GAS INLET SUPPLY PIPE - RH	AG4M211308
22	A4230	GAS SUPPLY GASKET	JGSG211356
23	A4598	END FEED TO BSP (INCLS NUTS AND OLIVES)	AG4M211385
24	NCA	BURNER CHAMBER SUPPORT STUD	AO4M220259
	NCA	ADJUSTER	NCA
25	R5022	M12 HEX FULL NUT	KNUT53135
26	NCA	M12 C/SNK SCREW x 50mm	KCSK500497
27	NCA	M12 C/SNK SCREW x 100mm	KCSK500492