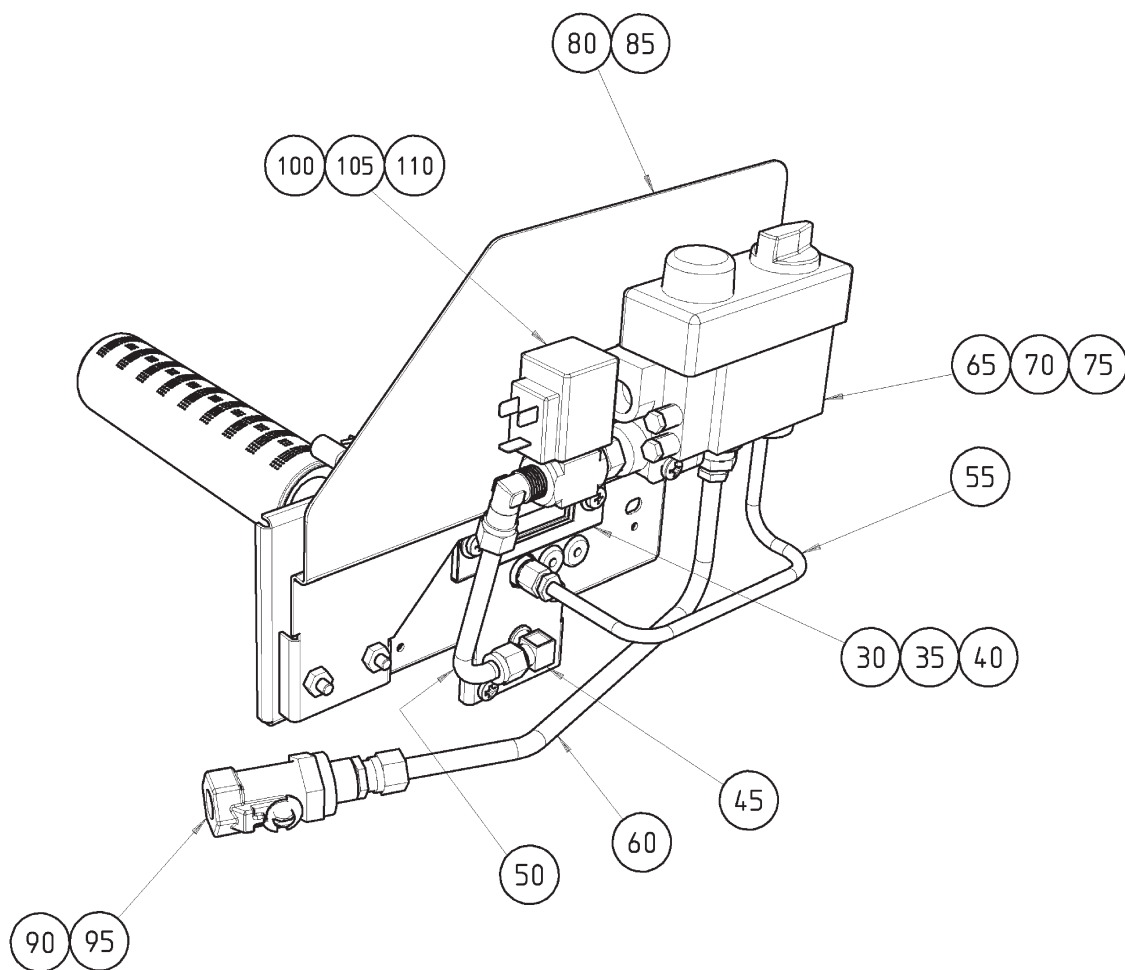
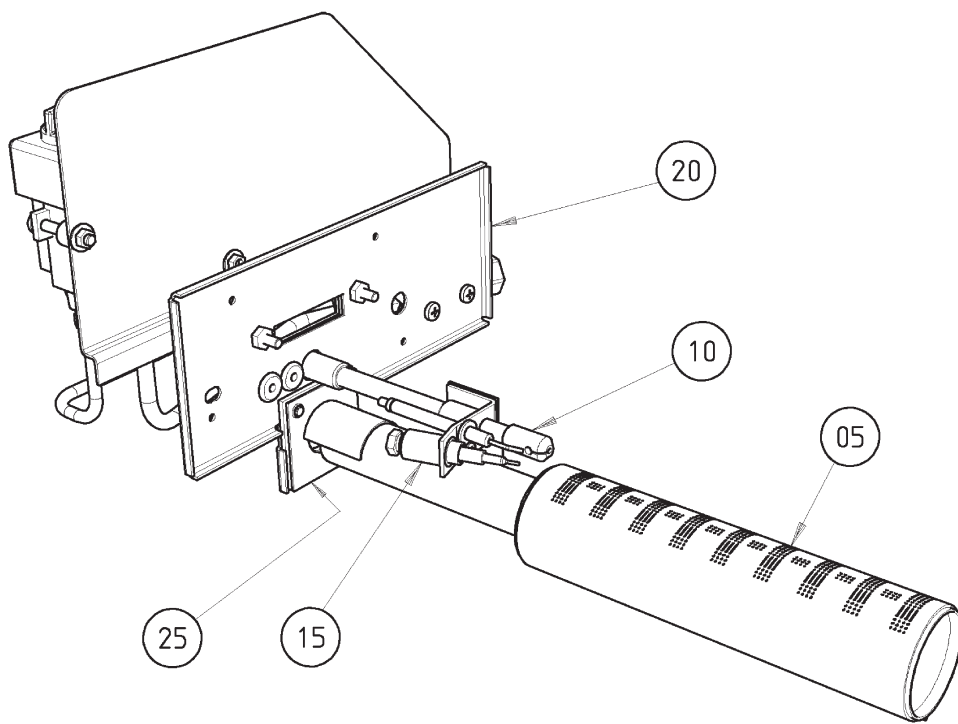


**AGA AIMS GC3
COOKER**

***SPARE PARTS
MANUAL***

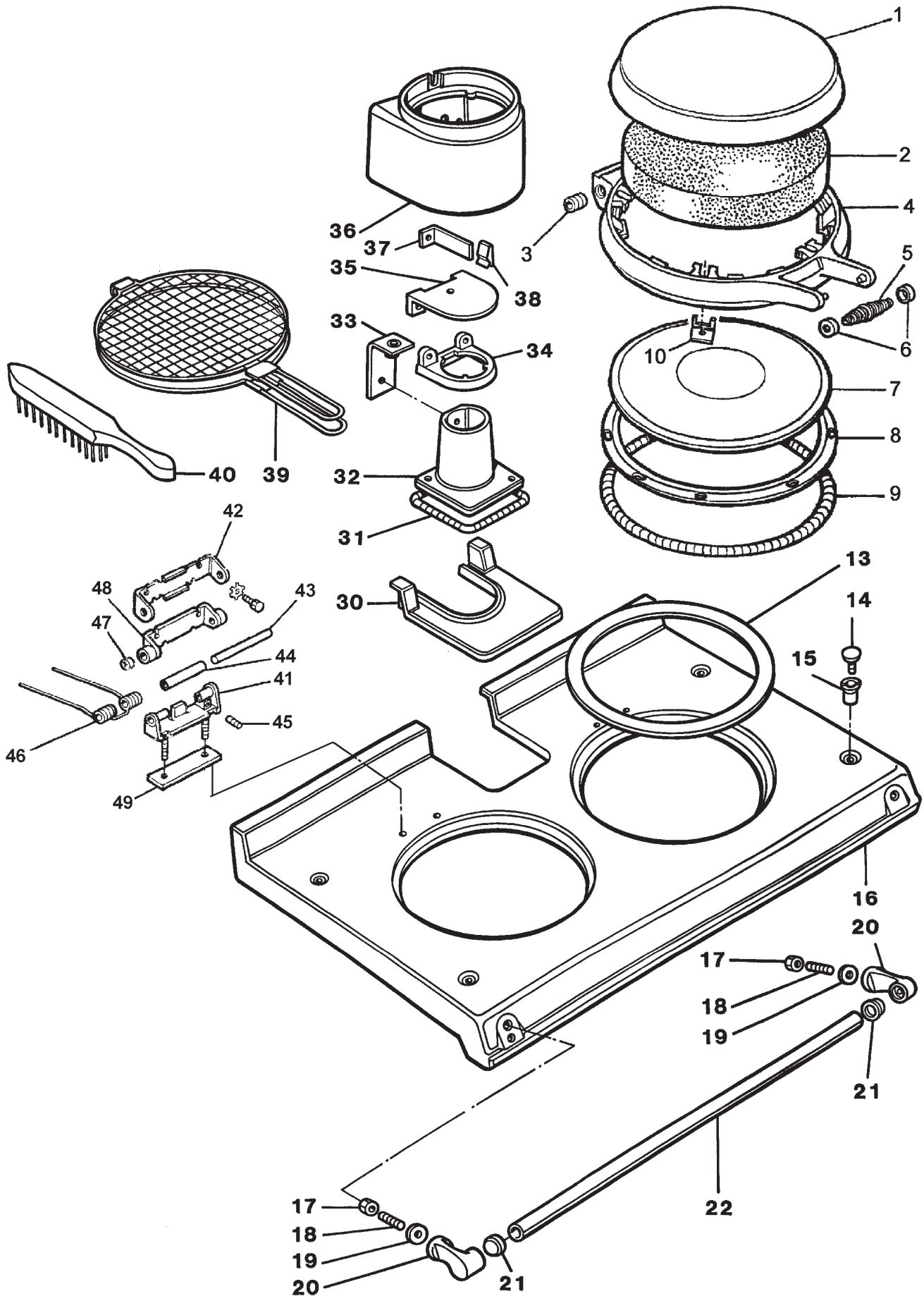


**AGA AIMS GC3 COOKER
BURNER ASSEMBLY**

**AGA AIMS GC3 COOKER
BURNER ASSEMBLY**

SEPTEMBER 2010

ITEM No.	CAT No.	DESCRIPTION	PRODUCT CODE
05	A4246	BURNER - FURIGAS	AG4M210993
10	A4219	PILOT ASSEMBLY - NG	AG4M211251
10	A4220	PILOT ASSEMBLY - LPG	AG4M211252
15	A4991	THERMOCOUPLE	AG4M212036
20	A4218	BURNER DOOR ASSEMBLY	AG1M211416
25	A5277	INSULATION PAD	JPAD211188
30	G1094	SIGHT GLASS BRACKET	AG2M210019
35	A2204	SIGHT GLASS GASKET	AG4M210011
40	A1236	SIGHT GLASS	AG4M30840
45	A4216	BURNER INJECTOR - NG CAT 82	AG4M211236
45	A4217	INJECTOR BRAY CAT 92	AG4M211253
50	NCA	INJECTOR FEED PIPE	AG4M211999
55	NCA	PILOT FEED PIPE	AG4M212000
60	A5585	MAINS FEED PIPE	AG4M212001
65	A5497	GAS VALVE	AG4M212084
65A	A4562	GAS BYPASS SCREW LPG (65)	KBYP211667
65B	A4872	GAS BYPASS SCREW NG (110)	KBYP211668
70	A2199	6mm TUBE NUT	KNUT500003
75	NCA	3/8" TO 8mm COMPRESSION STRAIGHT	RG4M312137
80	NCA	GAS VALVE MOUNTING BRACKET	AG2M211989
85	NCA	GAS VALVE SPACER	AG4M211706
90	R2601	GAS SHUT-OFF COCK	RG4M313792
95	R1393	1/4" TO 8mm COMPRESSION STRAIGHT	RO4M257541
100	A5387	SOLENOID (N/O)	AG4M211998
105	A4602	3/8" TO 1/4" BSP NIPPLE	AG4M211662
110	A3518	1/4" TO 8mm ELBOW	AG4M210556

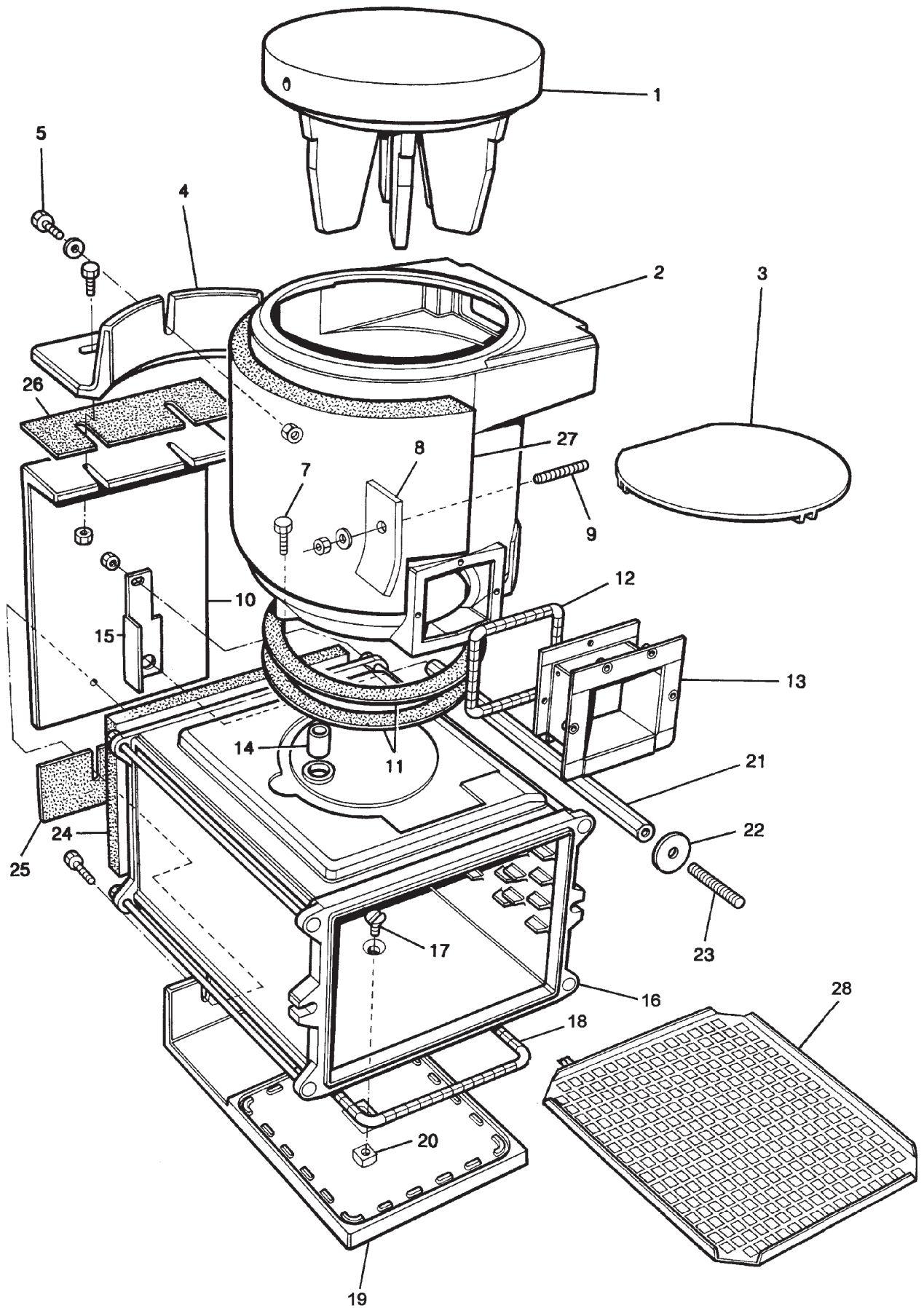


AGA AIMS GC3 COOKER
TOP PLATE & INSULATING COVERS

**AGA AIMS GC3 COOKER
TOP PLATES, INSULATING LIDS**

SEPTEMBER 2010

ITEM No.	CAT No.	DESCRIPTION	PRODUCT CODE
1	A3614	ST/STEEL INSULATING LID COVER	AG4M210905
	NCA	INSULATING LID CI (NOT SHOWN)	AG5E211528
	A4637	ST/STEEL DOME ASSEMBLY - COMP.	AG1M211766
	A4639	CI DOME ASSEMBLY - COMP. (NOT SHOWN)	AG1M211765
2	A5074	ROCKWOOL FIBRE	JPAD211934
3	A4816	M12 x 16 GRUB SCREW	KGRB500520
4	A4825	INSULATING LID OUTER RING	AG5E211310
5	R3028	COIL HANDLE	RO4M340522
6	R3029	INSULATING LID HANDLE CUPS	RO4M340521
7	A1632	INSULATING LID LINING - RH	AS4M34760
8	A1647	INNER HOLDING RING	AS4M40980
9	A1863	DOME SEALING ROPE	JMAR20410
10	A3636	DOME CLAMPING BRKTS - ST/ST LIDS ONLY	AG4M210904
13	A1342	INSULATING RING	AG5M210840
14	A2119	CORNER STAY BUTTON BSW	AG4M210228
15	A2123	CORNER STAY NUT 5/16" BSW	AG4M210244
16	A2246	TOP PLATE	AG5E210167
17	R2630	NUT M8 x 35 LG	KNUT53061
18	A4192	ALLTHREAD M8 x 35 LG	KSTD500010
19	A3664	WASHER M8 I/D SHAKEPROOF S/S	KWSR53346
20	A2314	HANDRAIL BRACKET	AG4M210853
21	A2975	VINYL END CAP	AG4M210660
22	A1630	HANDRAIL	AG4M210642
30	A1317	FLUE COLLAR - STD FLUE	AG6E1-9269
31	NCA	ROPE 5mm DIA x 432 LG	JTHR20393
32	A1316	FLUE OUTLET NOZZLE	AG5E211184
33	A2206	FLUE DIVERTER FIXING BRACKET	AG2M210212
34	A1334	FLUE PIPE LOCATING RING	AG5M3-544
35	A1354	DIVERTER HOOD BAFFLE PLATE	AG5V211182
36	A2990	DOWN DRAUGHT DIVERTER HOOD (4" FLUE)	AG5E210825
37	A2872	STAT PHIAL SUPPORT BRACKET	AG2M210282
38	A3031	STAT PHIAL LOCATION CLIP	KCLP500283
39	A1843	TOASTER	EACS47380
40	A1841	WIRE BRUSH	EACS23230
41	A4641	HINGE ASSY WITHOUT SPRING (ST/ST)	AG4M211742
41A	A4642	HINGE ASSY WITH SPRING - VE (UP TO M06-170)	AG4M211743
41B	A5157	HINGE ASSY - VE LIDS (FROM M06-170)	AG4M211921
42		PART OF ITEM 41 & 41A	
43		PART OF ITEM 41 & 41A	
44		SPINDLE SLEEVE (PART OF ITEM 41 & 41A)	AG4M997030
45	NCA	SCREW M5 x 16 LG GRUB	KHEX500521
46	A3646	SPRING (PART OF ITEM 41A/B)	AG4M210774
47	A4658	ADJUSTER (PART OF ITEM 41 & 41A)	AG4M997031
48		PART OF ITEM 11 & 11A	
49	A2589	HINGE BLOCK GASKET	JGSG210477
49A	NCA	GASKET HINGE BLOCK - VE LIDS (FROM M06-170)	JGSG211914

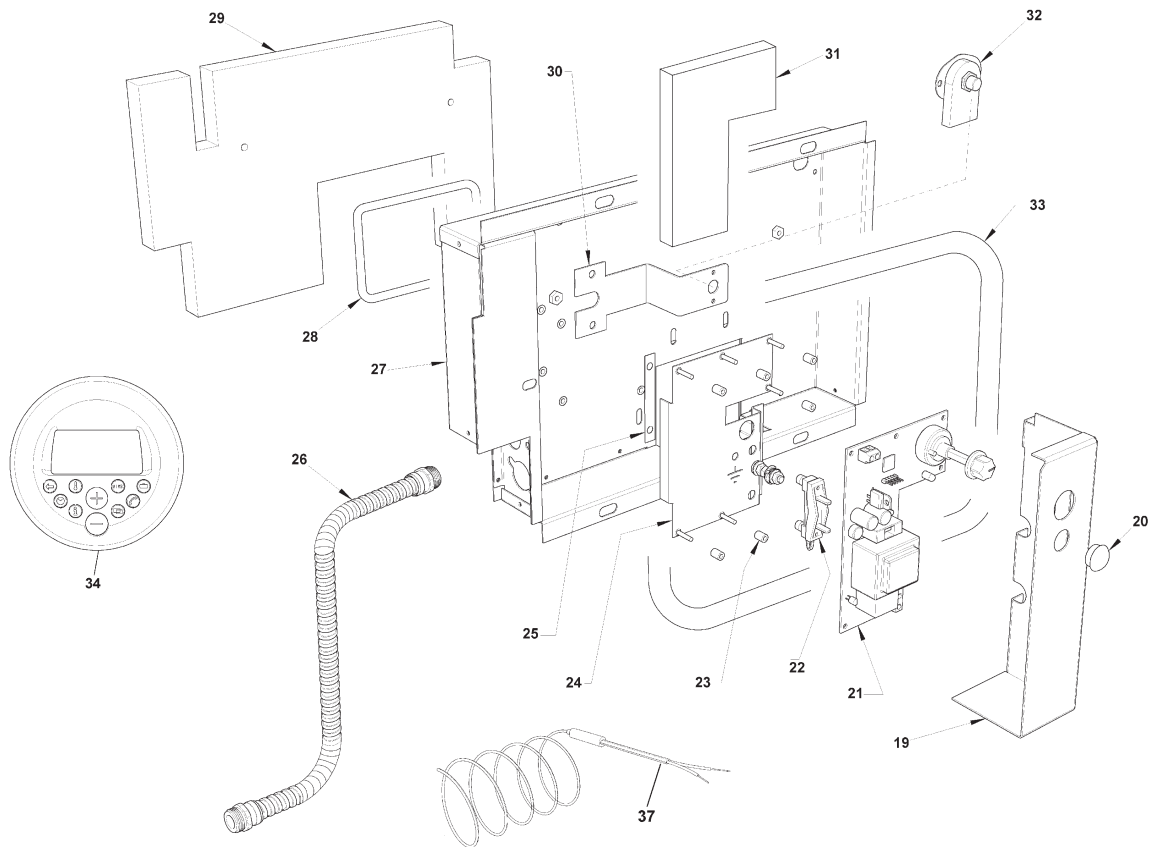
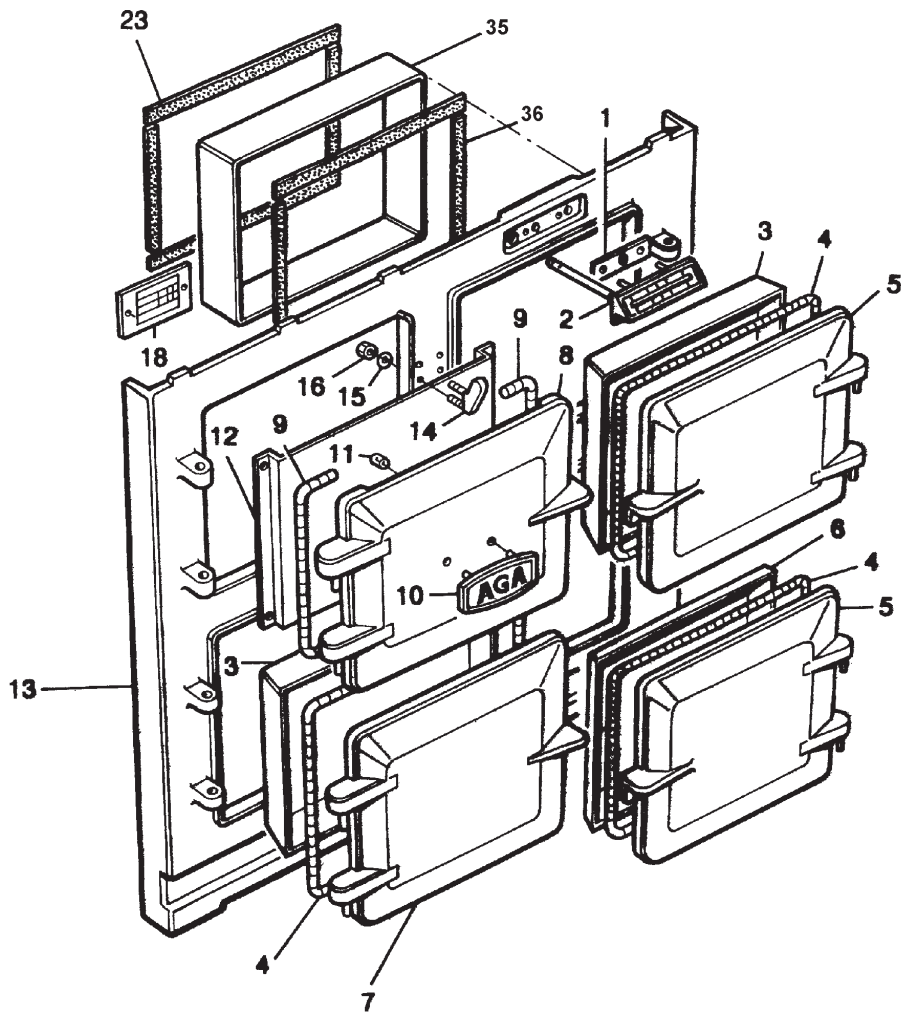


AGA AIMS GC3 COOKER
HOTSPOT, FIRE BARREL & BAKING OVEN

**AGA AIMS GC3 COOKER
HOT SPOT, FIRE BARREL AND BAKING OVEN**

SEPTEMBER 2010

ITEM No.	CAT No.	DESCRIPTION	PRODUCT CODE
1	A1522	LH HOT SPOT	AO5M1-386
2	A4222	FIRE BARREL	AG5M211061
3	A4963	FIRE BARREL BAFFLE	AO4M220575
4	A4403	BARREL HEAT CONDUCTING PLATE	AG5M211029
5	A3769	M10 x 45 CAP HEAD	KMIS500337
6	NCA	NUT M10 ST/ST	KNUT500311
7	A4936	M8 x 60 HX HD SET PIN	KHEX500498
8	A3166	BARREL FIXING CLAMP	AG2M210485
9	A3289	BARREL FIXING STUD	KSTD210489
10	A4223	REAR HEAT CONDUCTING PLATE	AG5M211100
11	A4224	BARREL GASKET	JGSG211378
12	R5100	CERAMIC ROPE	JCRP342282
13	A4225	TUNNEL ASSY	AG1M211040
14	R4992	VENT PIPE	RG4M313720
15	A4781	SECURING BAR RESTING PLATE	AG2M211379
16	A4187	BAKING OVEN ASSY	AG1M-3-3M-BO
17	NCA	SCREW M12 x 30	KCSK500460
18	A2961	ROPE 9mm x 110	JTHR220116
19	A4226	BOTTOM HEAT CONDUCTING PLATE	AG5M211031
20	A3639	M12 SQ NUT	KNUT500013
21	A4837	LOWER OVENS SECURING BAR	AG4M211377
22	NCA	WASHER M8 x 22mm	KWSR53410
23	A3625	M8 x 118 ALLTHREAD	KSTD210019
24	A4630	REAR BAKING OVEN INSULATION	JPAD211289
25	A4227	HEAT CONDUCTION GASKET LOWER	JGSG211409
26	A4228	HEAT CONDUCTION GASKET UPPER	JGSG211410
27	A4631	FIRE BARREL INSULATION WRAP	JPAD211288
28	A4467	OVEN BAFFLE PLATE	AG2M211648

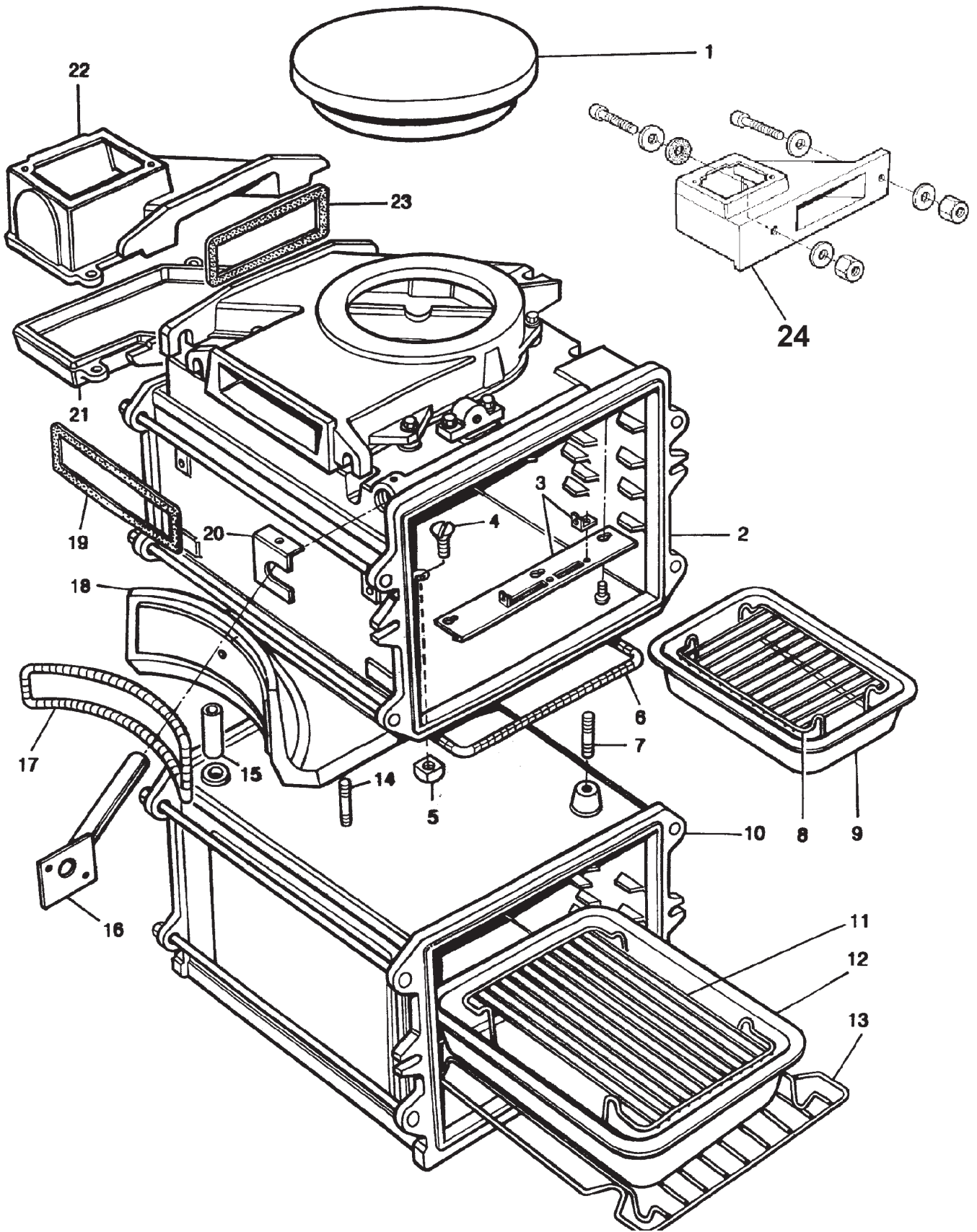


AGA AIMS GC3 COOKER
FRONT PLATES, DOORS AND BURNER HOUSING ASSY

**AGA AIMS GC3 COOKER
FRONT PLATE, DOORS AND BURNER HOUSING ASSY**

SEPTEMBER 2010

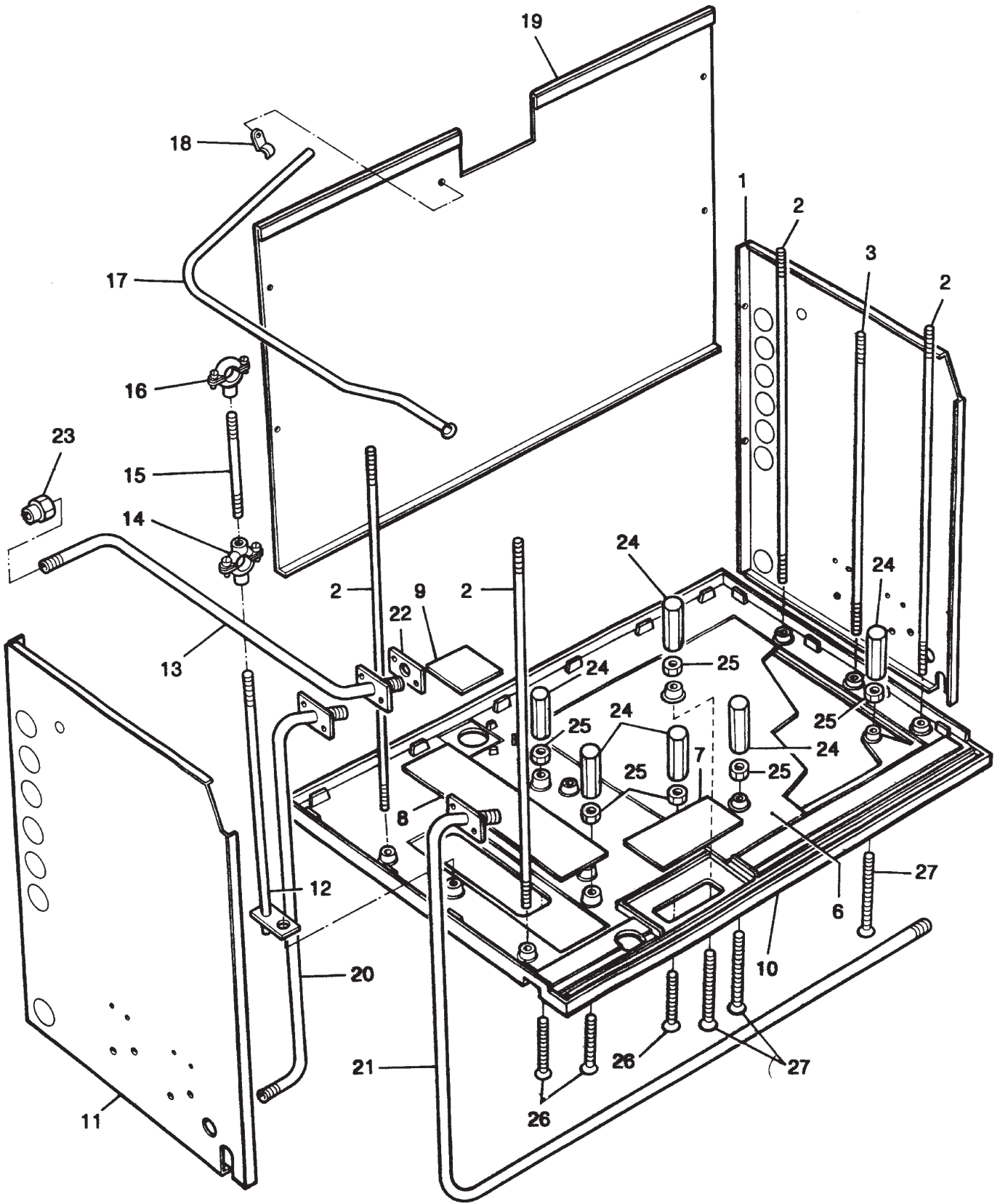
ITEM No.	CAT No.	DESCRIPTION	PRODUCT CODE
1	A2115	THERMOMETER RETAINING PLATE	AO9M220004COMP
2	A1518	THERMOMETER - UP TO M10-048	AO4T46210
2A	A1314	THERMOMETER (HOLLAND ONLY) - UP TO M10-048	AG4T46290
2B	A5610	HEAT INDICATOR ASSEMBLY - FROM M10-048	AG4M231169
3	A1482	COVER INSULATION	AO2M90347
4	A3935	ROPE T/SEAL - BLACK (TOP DOOR)	JTHR210937X1230
	A3936	ROPE T/SEAL - BLACK (BOTTOM DOORS)	JTHR210937X1205
5	A1709	OVEN DOOR - COMPLETE - TOP RH	AS9E1-9285E
5A	A1710	OVEN DOOR - COMPLETE - BOTTOM RH	AS9E1-9285F
6	A1482	COVER INSULATION	AO2M90347
7	A1671	DOOR	AS5E1-9285L
7A	A4182	OVEN DOOR COMPLETE - LH	AG9M998850
8	A4183	BURNER DOOR - COMP	AG9M998851
9	A3686	BLACK ROPE TH No.4 x 290 LG	JTHR210937X290
10	A2274	NAME BADGE	AG4M210184
11	A1567	PUSH ON FIXING (PAIR)	AO9M38850PR
12	NCA	LIGHTING INSTRUCTIONS	AG4M211229
13	A4962	FRONT PLATE	AG5E211060
13A	A4194	FRONT PLATE COMPLETE	AG1M 211332
14	A3956	DOOR CATCH	AG4M250478P
15	A4706	DOOR CATCH GASKET	JGSG211270
16	A4707	LOCKING NUT	KNUT500485
17	A3008	CABLE TUBE FIXING BRACKET	AG2M210522
18	NCA	DATA PLAQUE - NG	AG2M212040
	NCA	DATA PLAQUE - LPG	AG4M212039
19	NCA	CONTROLS COVER	AG2M212003
20	NCA	LENS COVER	AG4M212033
21	A5381	PCB CONTROLLER	AG4M211996
22	R2190	CABLE CLAMP	RG4M26192
23	NCA	PCB SPACER	AG4M212014
24	NCA	PCB MOUNTING PLATE	AG2M212013
25	NCA	GASKET - PCB MOUNTING PLATE	JGSG212090
26	A5433	CABLE GUIDE TUBE ASSY	AG1M212077
27	NCA	CONTROLS HOUSING	AG1M211993
28	A4419	TUNNEL ROPE SEAL	JTHR211303
29	NCA	INSULATION PAD	JPAD212038
30	A5459	FLUE SPILLAGE STAT MTG BRKT	AG2M212011
31	A5599	PCB INSULATION PAD	JPAD212089
32	A2930	FLUE SPILLAGE STAT	AG4T210686
33	A4418	ROPE SEAL - CONTROLS HOUSING	JTHR211302
34	A5382	HANDSET - UP TO M10-048	AG2M211997
34A	A5609	HEAT INDICATOR HANDSET - GAS AIMS FROM M10-048	AG4M212193
35	A2327	OVEN INSULATING FRAME ASSY	AG1M210308
36	A2860	PYROTAPE	JTHR210645
37	A5177	OVEN THERMOCOUPLE	AE4M230890



AGA AIMS GC3 COOKER
 ROASTING OVEN, SIMMERING OVEN & FLUE MANIFOLD

AGA AIMS GC3 COOKER **FEBRUARY 2011**
ROASTING OVEN, SIMMERING OVEN AND FLUE MANIFOLD

ITEM No.	CAT No.	DESCRIPTION	PRODUCT CODE
1	A1527	SIMMERING PLATE	AO5M2-695
2	A3537	ROASTING OVEN ASSY	AG1M-RO-NF
3	A3723	CONTROL PHIAL SUPPORT PLATE	AO1M220145
3A	A5388	THERMOCOUPLE RETAINING BRACKET	AG2M212034
4	A2068	SCREW M12 x 30 LG	KCSK500018
5	A3639	M12 SQUARE NUT	KNUT500013
6	A2961	SEALING ROPE 9mm x 1110 LG	JTHR220116
7	A3886	SCREW M12 x 40mm CUP PNT SKT HEAD	KGRB500338SET3
8	A2312	GRILL RACK - SMALL	AG4M210269
9	A3284	ROASTING TIN - SMALL	EMTY530217
10	A1476	SIMMERING OVEN ASSY	AG1M-SO-NF
11	A2313	GRILL RACK - LARGE	AG4M210268
12	A3285	ROASTING TIN - LARGE	EMTY530218
13	A1282	OVEN GRID SHELF	AG4M41621
14	NCA	SCREW M12 x 40mm CUP PNT SKT HD	KGRB500338
15	A2929	OVEN VENT PIPE BOTTOM	AG4M210488
16	A4453	OVEN PHIAL GUIDE TUBE	AG4M211254
17	A2308	FIRE BARREL GASKET	JGSG210327
18	A2656	BOTTOM HEAT CONDUCTION PLATE	AG5M210486
19	A2308	FIRE BARREL GASKET	JGSG210327
20	A4750	PHIAL GUIDE TUBE LOCATION BRACKET	AG2M211287
21	-	FLUE MANIFOLD BOTTOM HALF - SEE 24	AG5M211211
22	-	FLUE MANIFOLD TOP HALF - SEE 24	AG5M211192
23	A2306	FLUE MANIFOLD GASKET	JGSG210328
24	A2662	FLUE MANIFOLD ASSY C/W WASHERS & SCREWS	AG1M998911



AGA AIMS GC3 COOKER
 BASE, SIDE AND BACK PLATE

**AGA AIMS GC3 COOKER
BASE, SIDE AND BACK PLATE**

SEPTEMBER 2010

ITEM No.	CAT No.	DESCRIPTION	PRODUCT CODE
1	A2983	RH SIDE PLATE	AG2V210346
2	A2118	CORNER STAY ROD	AG4M210226
3	A2122	OVEN STAY ROD - TOP	AG4M210229
6	A2373	FILLER PIECE	AO2M210194
7	A4459	BASE PLATE FILLER PLATE - SMALL	AS2M90080R
8	A2374	RH BASE FILLER PLATE	AO2V210306
9	A3544	FLUE OUTLET BANKING PLATE	AG2M210568
10	A2659	BASE PLATE	AG5M210560
11	A2982	LH SIDE PLATE	AG2V210345
12	A4865	PIPE WORK SUPPORT RAIL	AG4M211269
13	A4247	MAINS GAS FEED PIPE - (GC3M ONLY)	AG4M211246
14	A4372	PIPE RING CLIP DOUBLE	AG4M211266
15	A5427	PIPE WORK SUPPORT STUD	AG4M211268
16	A4373	PIPE RING CLIP SINGLE	AG4M211267
17	A4417	PHIAL GUIDE TUBE - FLUE STAT	AG4M211247
18	A3013	CABLE TUBE FIXING CLIP	AG4M210459
19	A1612	BACK PLATE - FROM M03-064	AS2M200052
19	NCA	BACK PLATE - UP TO M03-064	AG2M211393
20	A4248	GAS INLET SUPPLY PIPE - LH (GC3 ONLY)	AG4M211306
21	A4249	GAS INLET SUPPLY PIPE - RH	AG4M211308
22	A4230	GAS SUPPLY GASKET	JGSG211356
23	A4598	END FEED TO BSP (INCLS NUTS AND OLIVES)	AG4M211385
24	NCA	BURNER CHAMBER SUPPORT STUD ADJUSTER	AO4M220259
25	R5022	M12 HEX FULL NUT	KNUT53135
26	NCA	M12 C/SNK SCREW x 50mm	KCSK500497
27	NCA	M12 C/SNK SCREW x 100mm	KCSK500492