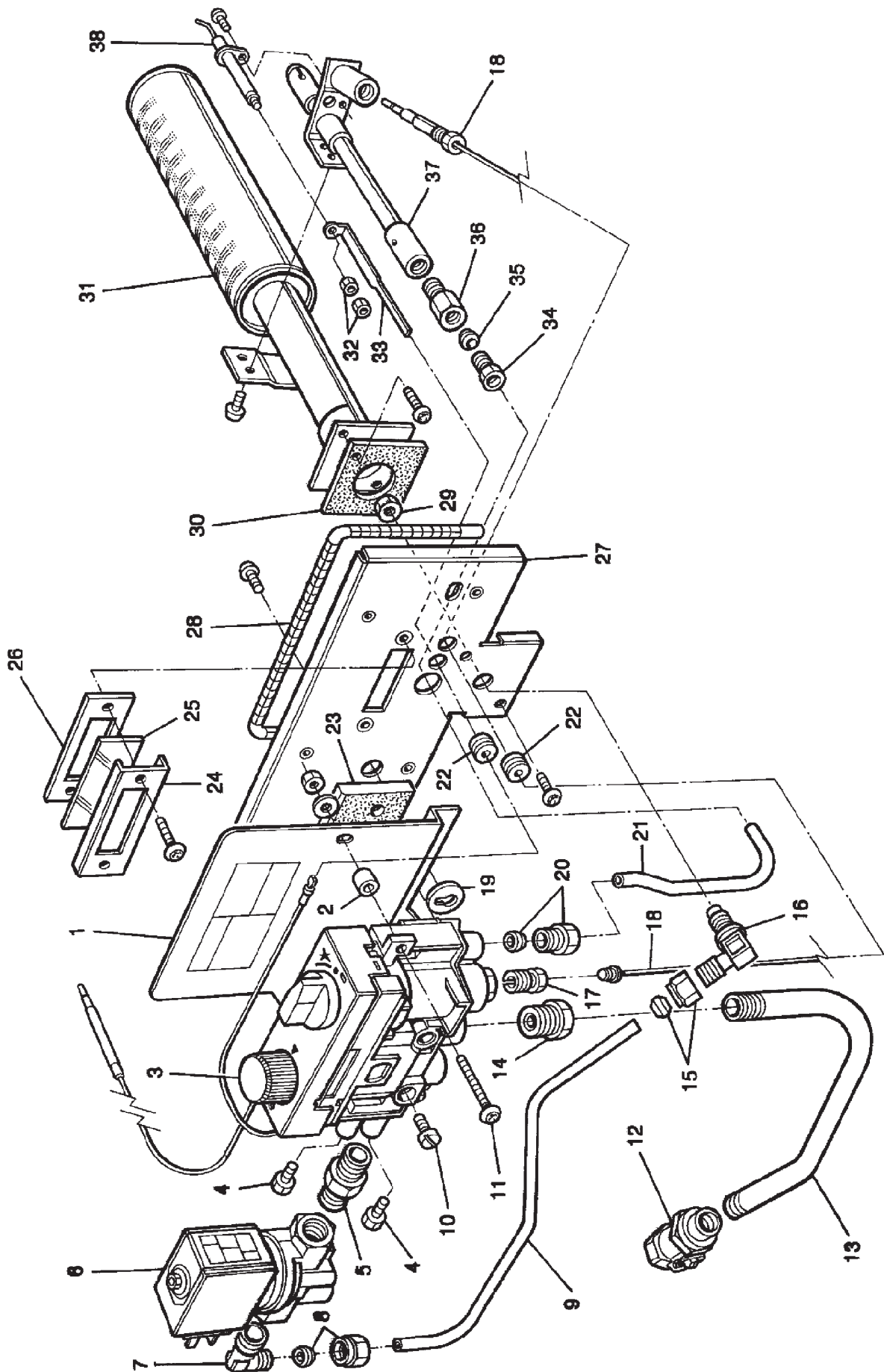


**AGA GC3 -
POWER FLUE**

***SPARE PARTS
MANUAL***

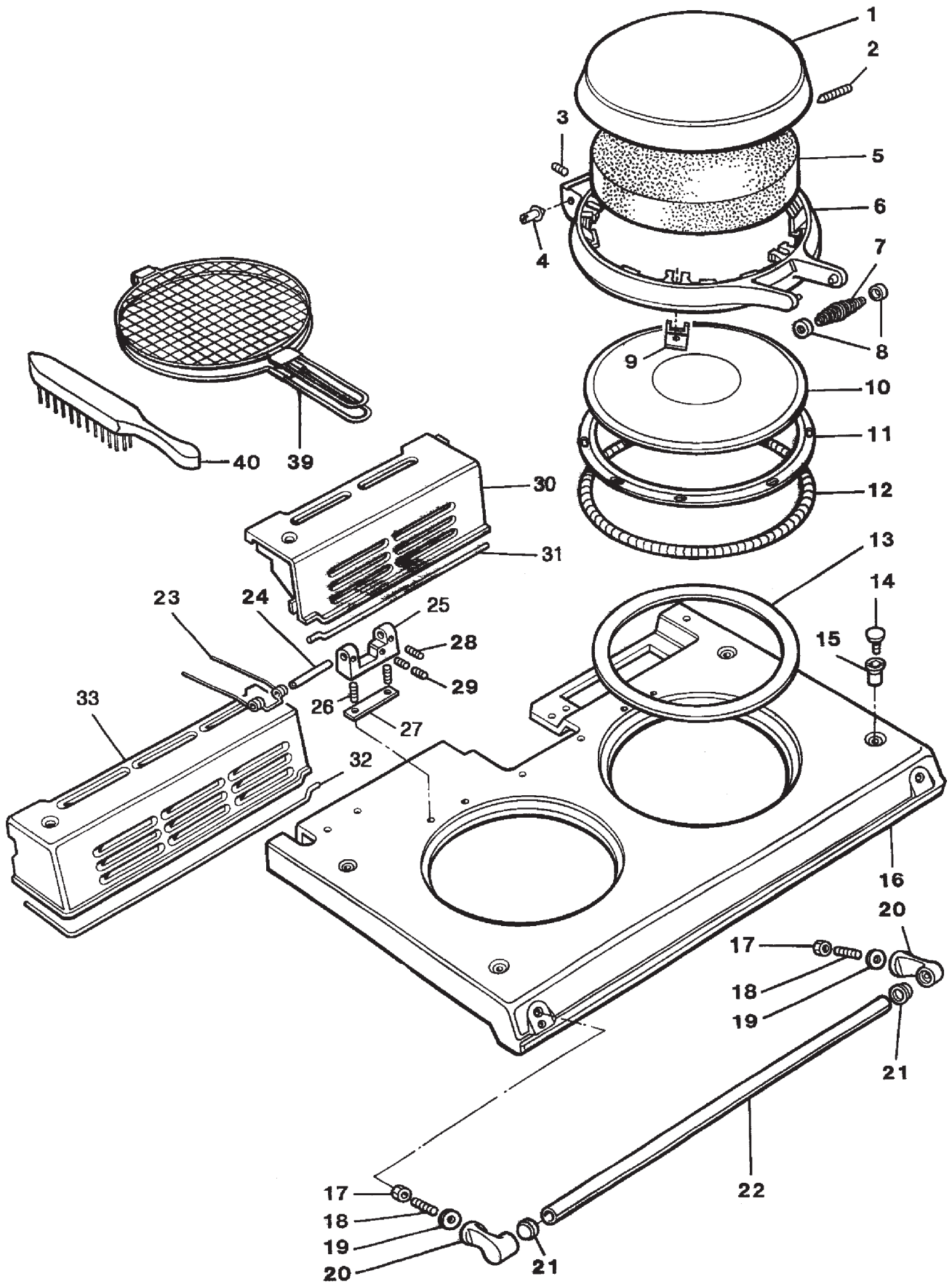


BURNER ASSEMBLY
AGA GC3 (POWER FLUE)

**AGA GC3 POWER FLUE
BURNER ASSEMBLY**

OCTOBER 2010

ITEM No.	CAT No.	DESCRIPTION	PRODUCT CODE
1	NCA	GAS VALVE BAFFLE	AG2M211704
2	NCA	SPACER	AG4M211706
3	A4479	MAXITROL GAS VALVE C/W BYPASS SCREW SIZE 110 - NG - UP TO M08-116	AG4M211621
	A5437 A5497	AGA GC3P/F MAXITROL KIT (PRE M08-116) VALVE - MAXITROL GREEN BAND (FROM M08-116)	AG9M997791
4	NCA	PRESSURE TEST SCREW	NCA
5	A4602	3/8" x 1/4" BSP TAPER ADAPTOR	AG4M211662
6	A4511	SOLENOID	AG4M211628
7	A3518	1/4" BSP MALE x 8mm O/D COMP ELBOW	AG4M210556
8		SEE ITEM 7	
9	A5075	BURNER INLET PIPE	AG4M211624
10	A4652	GAS VALVE BYPASS SCREW (65) - LPG	KBYP211667
	A4872	GAS VALVE BYPASS SCREW (110) - NG	KBYP211668
11	A3850	M5 x 35mm LG PAN HEAD SCREW	KPAN52611
12	R2601	GAS TAP	RG4M313792
13	A4601	GAS VALVE FEED PIPE	AG4M211627
14	A3500	3/8" TO 1/4" BSP BUSH	AG4M210780
15	F3002	NUT C/W OLIVE	FG4M420151
16	A4216	BURNER INJECTOR - NG (82/400)	AG4M211236
16A	A4217	BURNER INJECTOR - LPG 170 (CAT 92)	AG4M211253
17	A2228	M9 SPLIT NUT	KNUT500441
18	A2369	THERMOCOUPLE KIT	RG4M998603
19	NCA	KEYHOLE WASHER	AG2M211708
20	A2199	6mm TUBE NUT	KNUT500003
21	A5099	PILOT FEED PIPE	AG4M211625
22	A4046	GROMMET - REEVITE	AG4M211223
23	NCA	INSULATION PAD - GAS VALVE BAFFLE	JPAD211703
24	G1094	SIGHT GLASS FRAME	AG2M210019
25	A1236	SIGHT GLASS	AG4M30840
26	A2204	SIGHT GLASS GASKET	AG4M210011
27	A4218	BURNER DOOR ASSEMBLY	AG1M211416
28	NCA	ROPE SEAL - 3F	JTHR20438
29	R2199	LOCKNUT 1/8" BSP	KNUT35297
30	A5277	BURNER INSULATION PAD	JPAD211188
31	A4246	GAS BURNER - FURIGAS	AG4M210993
32		SEE ITEM 37	
33	A4221	ELECTRODE/CONNECTOR STRIP/ IGNITOR LEAD	AG4M211419
34	NCA	ELECTRODE/CONNECTOR	NCA
35	NCA	ELECTRODE/CONNECTOR	NCA
36	NCA	ELECTRODE/CONNECTOR	NCA
37	A4219	PILOT BURNER ASSY - NG (INCLS ITEM 32, 34, 35, 36 & 38)	AG4M211251
37A	A4220	PILOT BURNER ASSY - LPG	AG4M211252
38	A4763	PILOT BURNER ASSY ELECTRODE	AG4M997055



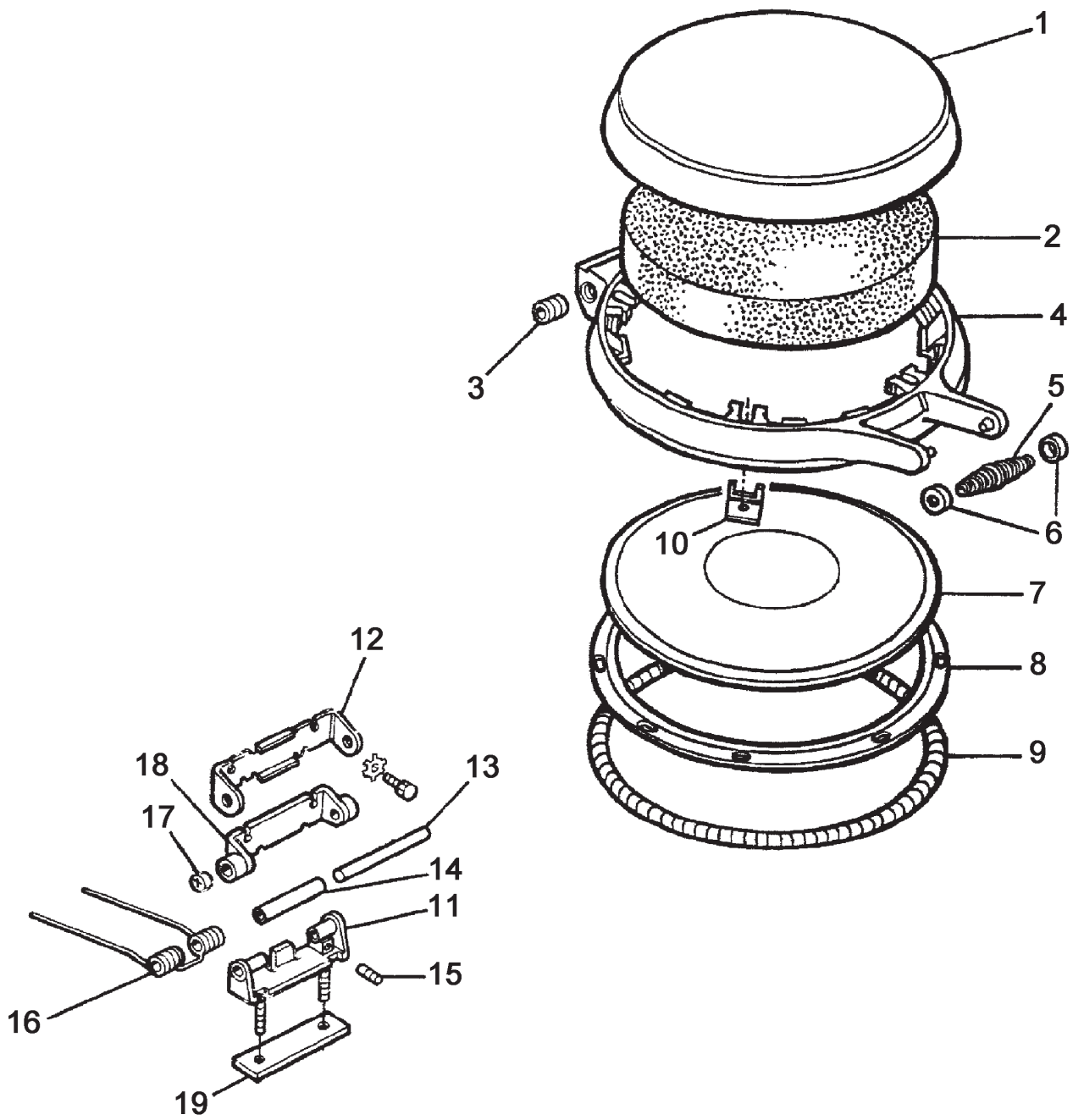
AGA GC3 POWER FLUE
TOP PLATES

AGA LID HINGES & INSULATING COVERS (UP TO M05-008)

**AGA GC3 POWER FLUE
TOP PLATES, SHROUDS & DOMES**

OCTOBER 2010

ITEM No.	CAT No.	DESCRIPTION	PRODUCT CODE
1	A3614	ST/STEEL INSULATING LID COVER	AG4M210905-K
	NCA	INSULATING LID - CI (NOT SHOWN)	AG5E210864
	NCA	INSULATING LID - CHROME (NOT SHOWN)	AG4M28101
	NCA	STEEL DOME ASSY COMPLETE	AG1M210917
2	A3283	GRUB SCREW SKT M10 x 25mm LG	KGRB500445
3	A2583	M6 x 6mm LNG SKT GRUB CUP PNT GRUB	KGRB500437
4	A3501	ADJUSTABLE PIVOT BEARING	AG4M210620
5	A5074	DOME INSULATION PAD - 50mm	JPAD211934
6	A3511	INSULATING LID OUTER RING	AG5E210862
7	R3028	COIL HANDLE	RO4M340522
8	R3029	INSULATING LID HANDLE CUPS	RO4M340521
9	A3636	DOME CLAMPING BRACKET	AG4M210904
10	A1632	INSULATING LID LINING RH	AS4M34760
11	A1647	INNER HOLDING RING	AS4M40980
12	A1863	DOME SEALING ROPE	JMAR20410
13	A1342	INSULATING RING	AG5M210840
14	A2119	CORNER STAY BUTTON 5/16" BSW	AG4M210228
15	A2123	CORNER STAY NUT 5/16" BSW	AG4M210244
16	A2980	TOP PLATE	AG5E210543
17	R2630	NUT M8 x 35 LG	KNUT53061
18	A4192	ALLTHREAD M8 x 35 LG	KSTD500010
19	A3664	WASHER M8 I/D SHAKEPROOF S/S	KWSR53346
20	A2314	HANDRAIL BRACKET	AG4M210853
21	A2975	END CAP	AG4M210660
22	A1630	HANDRAIL	AG4M210642
23	A3117	HINGE SPRING - ST/ST LID	AG9M998347
	A3118	HINGE SPRING - CAST IRON LID (NOT SHOWN)	AG9M998348
24	A3134	HINGE SPINDLE	AG4M210775
25	A3184	HINGE BLOCK - INSUL. LID	AG5E210860
26	A2081	M6 x 25mm STUD	AG4M211021
27	A2589	HINGE BLOCK GASKET	JGSG210477
28	A2583	M6 x 6mm LG SKT GRUB SCREW	KGRB500437
29	A4101	M6 x 10mm LG SKT GRUB SCREW	KGRB50512
30	A2997	SHROUD (LH OF FAN)	AG1M210625
31	NCA	SHROUD SEALING ROPE	NCA
32	NCA	SHROUD ASSY - MODULE	AE1M240098
33	NCA	SHROUD SEALING ROPE	NCA
39	A1843	TOASTER	EACS47380
40	A1841	WIRE BRUSH	EACS23230

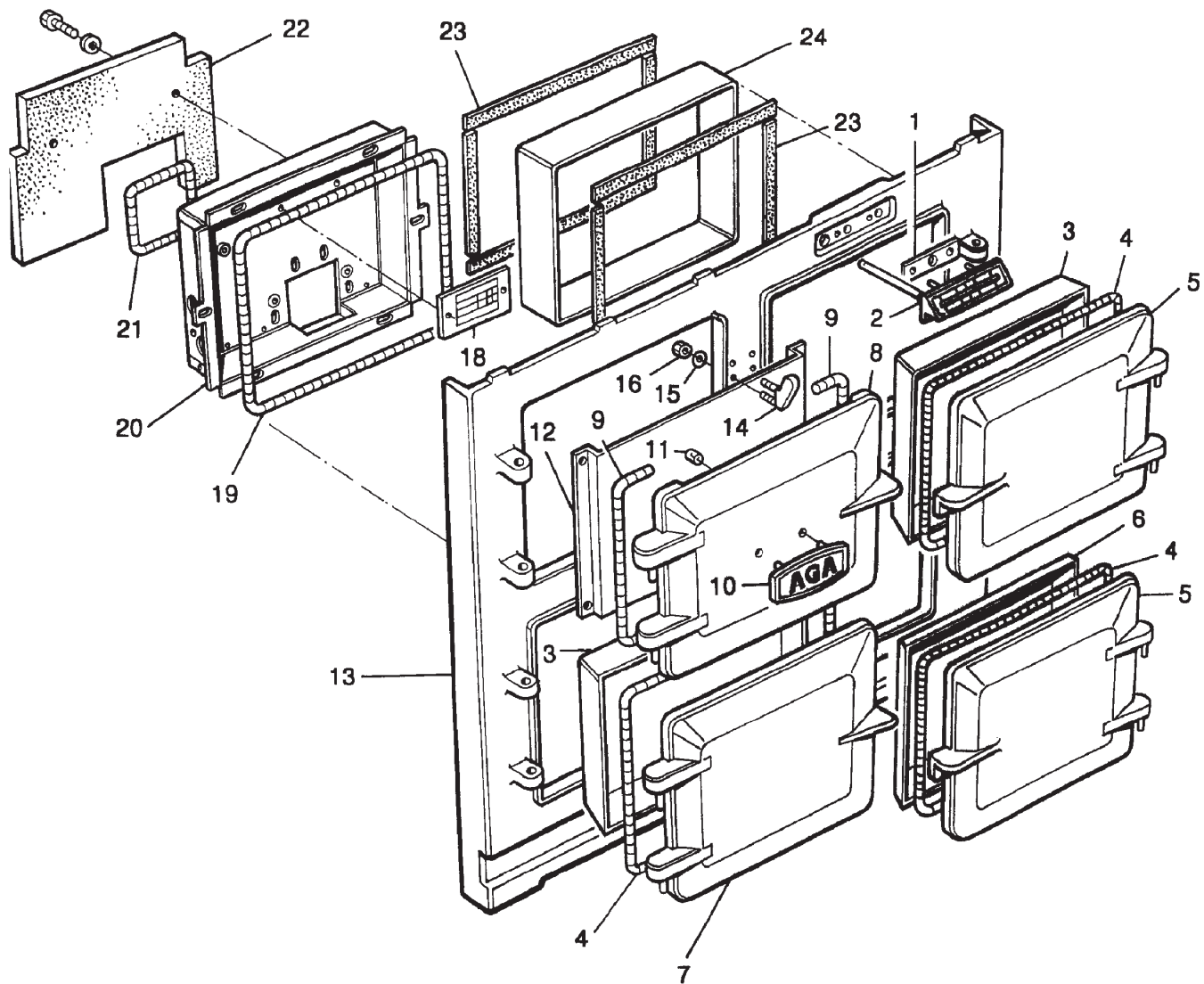


AGA HINGES & INSULATING LIDS
FROM MOD CHANGE M05-008

AGA GC3 (POWER FLUE) HINGES & INSULATING COVERS FROM MOD CHANGE M05-008

OCTOBER 2010

ITEM No.	CAT No.	DESCRIPTION	PRODUCT CODE
1	A3614	ST/STEEL INSULATING LID COVER	AG4M210905-K
	NCA	INSULATING LID CI (NOT SHOWN)	AG5E211528
	A4637	ST/STEEL DOME ASSEMBLY - COMP.	AG1M211766
	A4639	CI DOME ASSEMBLY - COMP. (NOT SHOWN)	AG1M211765
2	A5074	DOMES INSULATION PAD - 50mm	JPAD211934
3	A4816	M12 x 16 GRUB SCREW	KGRB500520
4	A4825	INSULATING LID OUTER RING	AG5E211310
5	R3028	COIL HANDLE	RO4M340522
6	R3029	INSULATING LID HANDLE CUPS	RO4M340521
7	A1632	INSULATING LID LINING - RH	AS4M34760
8	A1647	INNER HOLDING RING	AS4M40980
9	A1863	DOMES SEALING ROPE	JMAR20410
10	A3636	DOMES CLAMPING BRKTS - ST/ST LIDS ONLY	AG4M210904
11	A4641	HINGE ASSY WITHOUT SPRING	AG4M211742
11A	A4642	HINGE ASSY WITH SPRING - VE (UP TO M06-170)	AG4M211743
11B	A5157	HINGE ASSY - VE LIDS (FROM M06-170)	AG4M211921
12		PART OF ITEM 11 & 11A	
13		PART OF ITEM 11 & 11A	
14	NCA	SPINDLE SLEEVE (PART OF ITEM 11 & 11A)	AG4M997030
15	A5404	SCREW M5 x 16 LG GRUB	KGRB500521
16	A3646	SPRING (PART OF ITEM 11A/B)	AG4M210774
17	A4658	ADJUSTER (PART OF ITEM 11 & 11A)	AG4M997031
18		PART OF ITEM 11 & 11A	
19	A2589	HINGE BLOCK GASKET	JGSG210477
19A	NCA	GASKET HINGE BLOCK - VE LIDS (FROM M06-170)	JGSG211914

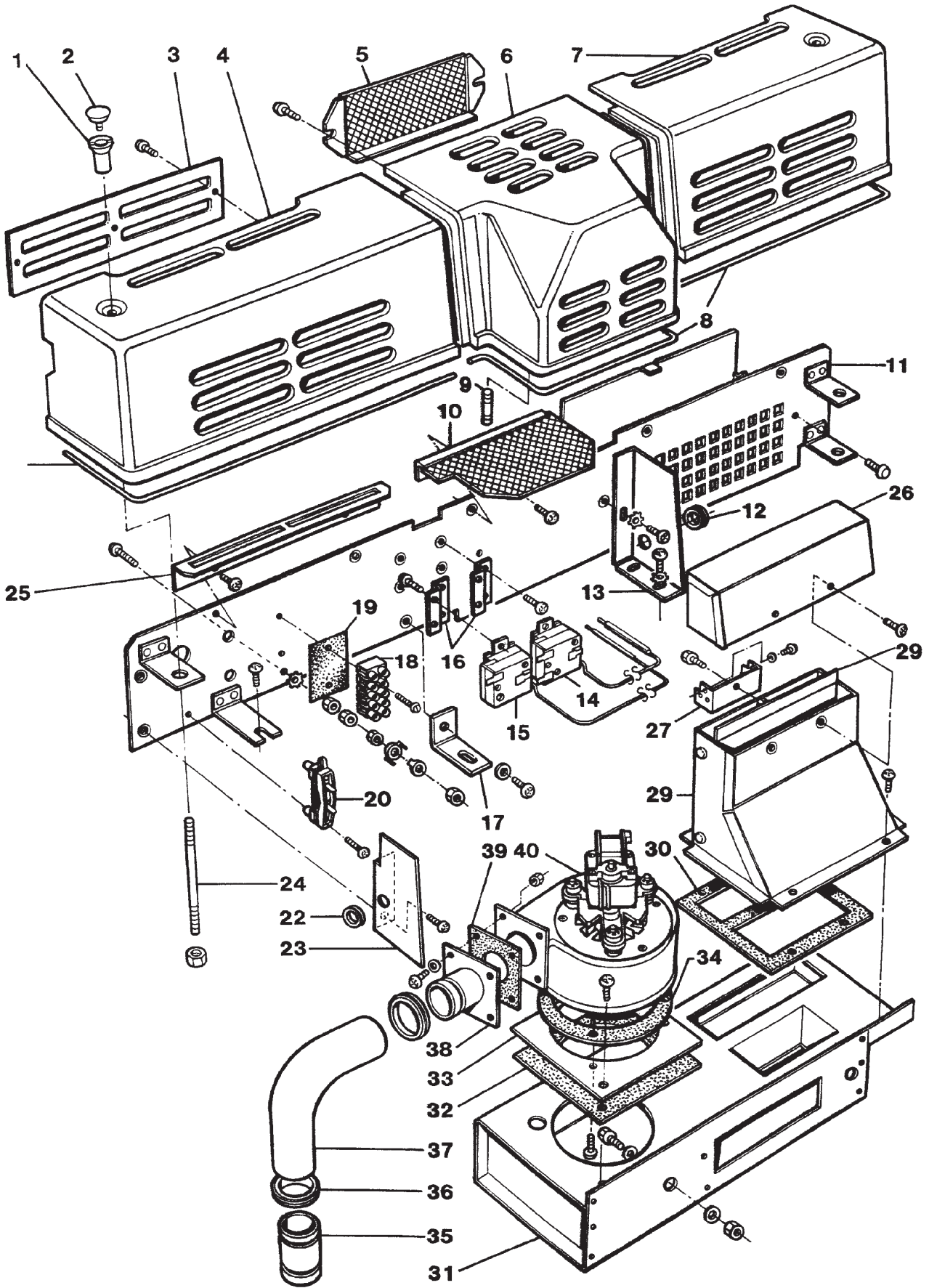


FRONT PLATE, DOORS AND BURNER HOUSING ASSY
 AGA GC3 POWER FLUE

**AGA GC3 POWER FLUE
FRONT PLATE, DOORS AND BURNER HOUSING ASSY**

OCTOBER 2010

ITEM No.	CAT No.	DESCRIPTION	PRODUCT CODE
1	A2115	THERMOMETER RETAINING PLATE - UP TO M10-102	AO9M220004COMP
2	A1518	THERMOMETER - UP TO M10-102	AO4T46210
	A5662	BRANNAN HEAT INDICATOR & SPARES KIT (PRE M10-102)	AG9M996187
	NCA	LIQUID FILLED HEAT INDICATOR (FROM M10-102)	AE4T231182
2A	A1314	THERMOMETER (HOLLAND ONLY)	AG4T46290
3	A1482	COVER INSULATION	AO2M90347
4	A3935	ROPE T/SEAL - BLACK (TOP DOOR)	AG4M997916
	A3936	ROPE T/SEAL - BLACK (BOTTOM DOORS)	AG4M997917
5	A1709	OVEN DOOR COMPLETE - TOP RH	AS9E1-9285E
5A	A1710	OVEN DOOR COMPLETE - BOTTOM RH	AS9E1-9285F
6	A1482	COVER INSULATION	AO2M90347
7	NCA	DOOR	AS5E1-9285L
7A	A4182	OVEN DOOR COMPLETE - LH	AG9M998850
8	A4183	BURNER DOOR - COMP	AG9M998851
9	NCA	BLACK ROPE TH No. 4 x 290 LG	JTHR210937X290
10	A2274	NAME BADGE	AG4M210184
11	A1567	PUSH ON FIXING (PAIR)	AO9M38850PR
12	A4786	LIGHTING INSTRUCTIONS	AG4M211634
13	A4962	FRONT PLATE	AG5E211060
13A	A4194	FRONT PLATE COMPLETE	AG1M211332
14	A3956	DOOR CATCH	AG4M250478
15	A4706	DOOR CATCH GASKET	JGSG211270
16	A4707	LOCKING NUT	KNUT500485
18	NCA	DATA PLAQUE - NG	AG2M211616
	NCA	DATA PLAQUE - LPG	AG2M211615
19	A4418	12mm x 3mm PYROTAPE	JTHR211302
20	A4370	CONTROL HOUSING ASSY	AG1M211036
21	A4419	ROPE SEAL 3F	JTHR211303
22	A4420	CONTROL BOX INSULATION PAD	JPAD211187
23	A2860	PYROTAPE	JTHR210645
24	A4784	OVEN FRAME KIT	AG4M211602

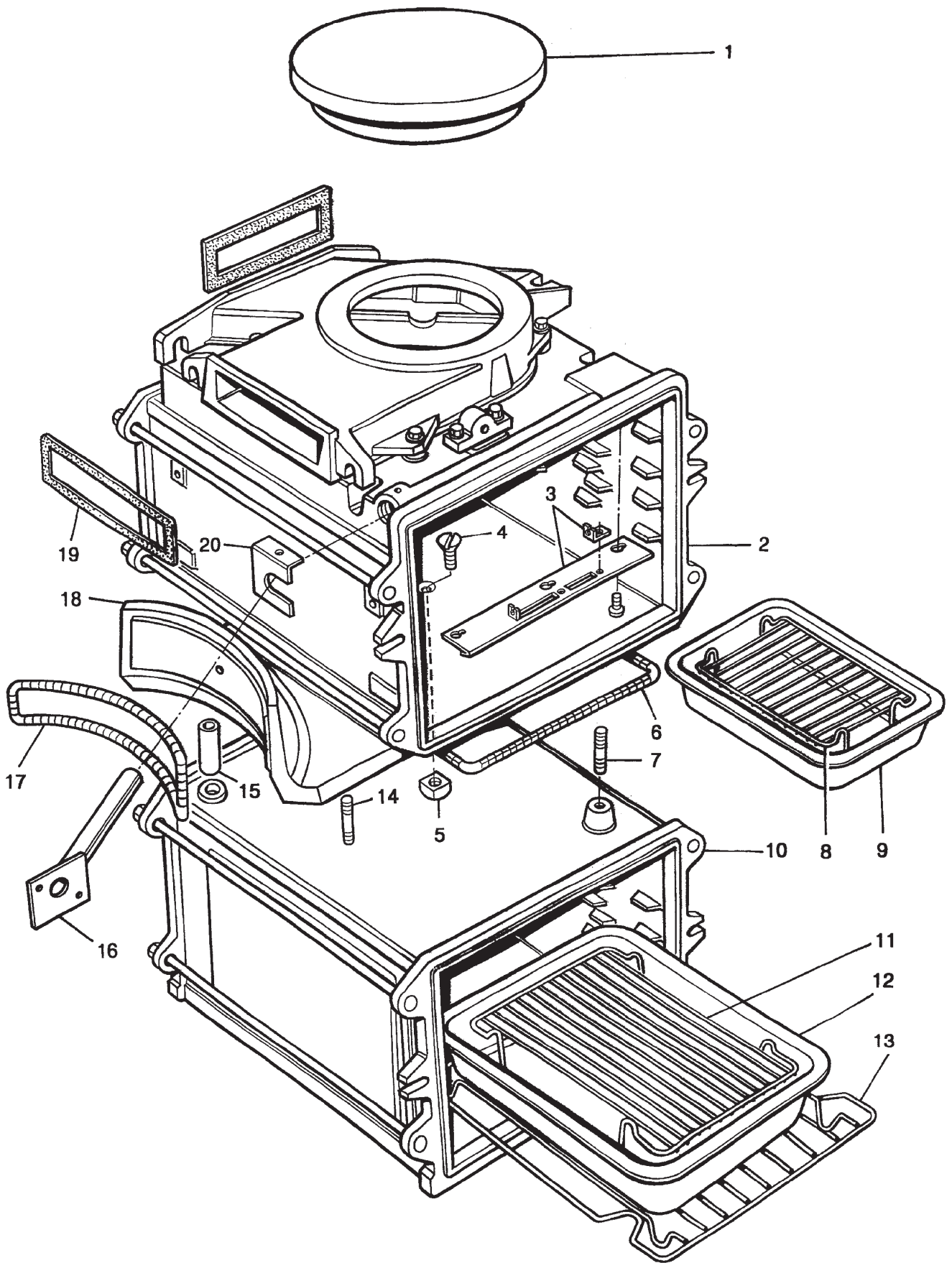


FAN ASSEMBLY & COMPONENTS INC. SHROUDS
AGA GC3 POWER FLUE

**AGA GC3 POWER FLUE
FAN ASSEMBLY & COMPONENTS INC. SHROUDS**

OCTOBER 2010

ITEM No.	CAT No.	DESCRIPTION	PRODUCT CODE
1	A2123	CORNER STAY NUT 5/16"	AG4M210244
2	A2119	CORNER STAY NUT BUTTON	AG4M210228
3	A3547	LH SHROUD FRONT PLATE	AG2V210569
4	A2146	LH SHROUD	AE5E230158
5	A4860	FAN SHROUD FRONT COVER PLATE	AG2V211638
6	A4599	FAN SHROUD	AG5E210547
7	A3028	RH SHROUD	AG5E210376
8	A1900	SHROUD SEALING ROPE	JTHR20340
9	A2986	SHROUD LOCATION STUD	KSTD52085
	A4749	CHASSIS ASSY (M09-142) (INCLS 10, 11, 13, 14, 15, 16, 17, 18, 19, 22, 25)	AG1M211687
10	A5156	CENTRE SHROUD TOP COVER	AG2V211633
11	A4708	REAR SHIELD ASSY	AG1M211688
12	R2719	CHASSIS GROMMET	RG4M31317
13	A3541	FAN SHROUD BAFFLE	AG2M210389
14	A4481	FLUE TEMPERATURE STAT - 75°C (UK)	AG4T211644
15	A3034	FLUE TEMPERATURE STAT - 80°C (UK)	AG4T210541
16	A3029	FLUE STAT MOUNTING BRACKET	AG2M210354
17	R2891	CHASSIS FIXING BRACKET	RO2M321281
18	A2471	12-WAY TERMINAL BLOCK	AE4M45669
19	A5448	TERMINAL BLOCK LABEL	EGLL210575
20	R2190	CABLE CLAMP	RG4M26192
22	R2719	CHASSIS GROMMET	RG4M31317
23	A3543	SHROUD END BRACKET FOR MODULE	AG2M210567
24	A1102	SHROUD STAY RODS	AE4M44115
25	A3546	END SHROUDS - TOP PLATE	AG2V210377
26	A4738	FLUE MIXING SHROUD	AG2V211651
27	A3030	STAT PHIAL LOCATION BRACKET	AG2M210448
29	A4709	FLUE OUTLET NOZZLE ASSY	AG1M211649
30	A3038	FLUE NOZZLE GASKET	JGSG210452
31	A4680	FLUE DUCT ASSY	AG1M211654
32	A3037	FAN MOUNTING PLATE GASKET	JGSG210453
33	A2988	FAN MOUNTING PLATE	AG2M210351
34	C1591	FAN SEALING GASKET	JGSG410143
35	A2571	FLUE TUBE COUPLING ASSY	HG9M410164COMP
36	(included with above)	FLUE PIPE SEALING RING	HG4M410180
37	A2574	FLUE PIPE BEND 90°	AG4M210381
38	A2989	FAN OUTLET ADAPTOR ASSY	AG1M210352
39	A3513	FAN OUTLET GASKET	JGSG210455
40	A4474	FLUE EXTRACTOR FAN (C/W ADAPTOR)	AG1M211686
	A2992	FLUE EXTRACTOR FAN	AG4M211685
Not illustrated	A2626	FLUE PIPE BEND 45°	AG4M210618
	A2572	FLUE PIPE 1m PLASTIC COATED	AG4M210559
	A2573	FLUE PIPE 2m PLASTIC COATED	AG4M210576
	A5162	SEALING 'O' RING - PACK OF 8	AG4M211747
	A2571	FLUE COUPLING ASSEMBLY (4-OFF)	HG9M410164COMP

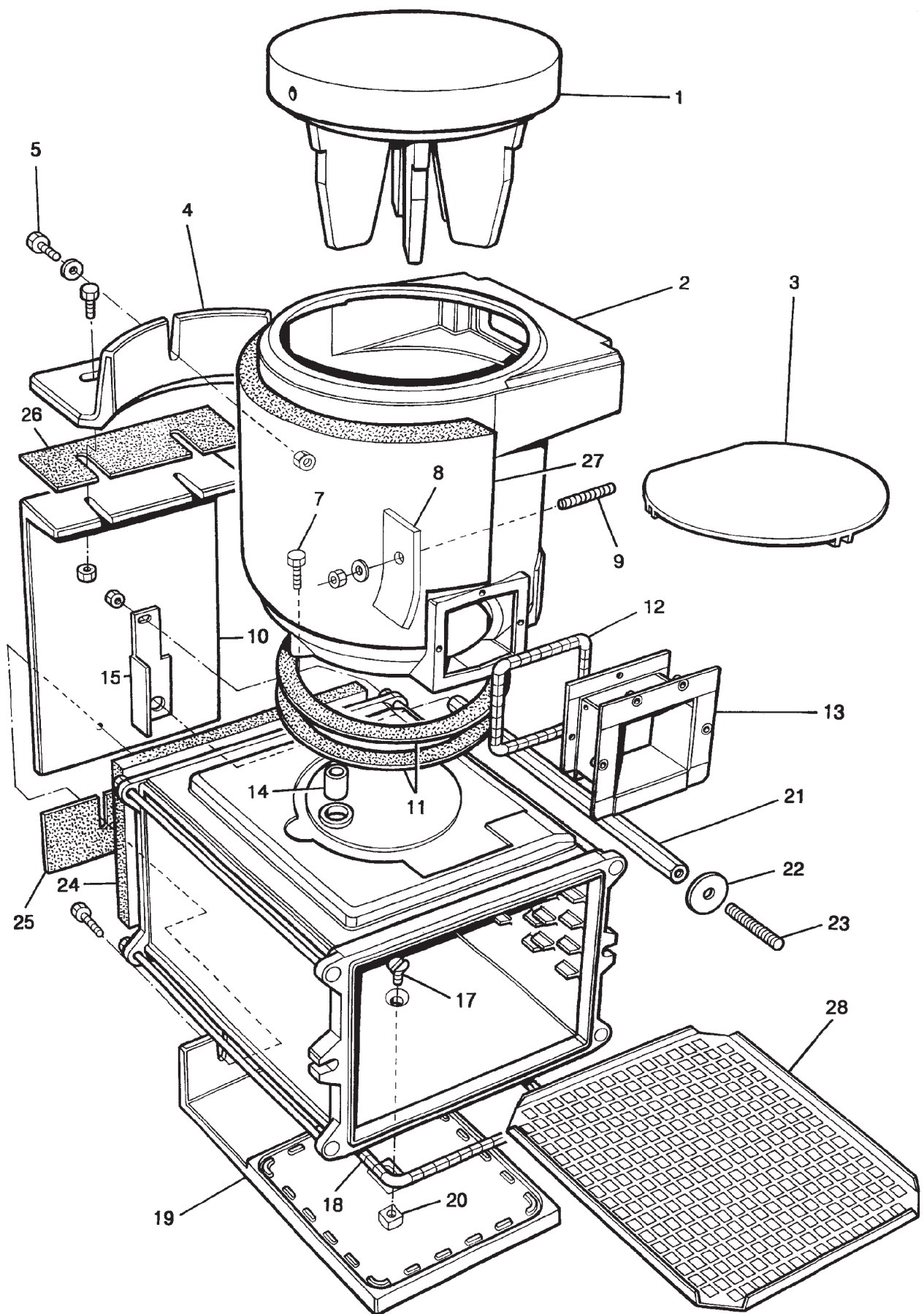


ROASTING OVEN, SIMMERING OVEN & FLUE MANIFOLD
AGA GC3 POWER FLUE

**AGA GC3 POWER FLUE
ROASTING OVEN, SIMMERING OVEN & FLUE MANIFOLD**

OCTOBER 2010

ITEM No.	CAT No.	DESCRIPTION	PRODUCT CODE
1	A1527	SIMMERING PLATE	AO5M2-695
2	A3537	ROASTING OVEN ASSY	AG1M-RO-NF
3	A3723	STAT PHIAL SUPPORT ASSY	AO1M220145
3A	A3739	PHIAL SECURING ANGLE	AO2M220147
4	NCA	SCREW M12 x 30 LG	NCA
5	NCA	M12 SQUARE NUT	NCA
6	A2961	SEALING ROPE 9mm x 1165 LG	JTHR220116
7	NCA	SCREW M12 x 40mm CUP PNT SKT HEAD	KGRB500338
8	A2312	GRILL RACK - SMALL	AG4M210269
9	A3284	ROASTING TIN - SMALL	EMTY530217
10	A1476	SIMMERING OVEN ASSY	AG1M-SO-NF
11	A2313	GRILL RACK - LARGE	AG4M210268
12	A3285	ROASTING TIN - LARGE	EMTY530218
13	A1282	OVEN GRID SHELF	AE4M211863
14	NCA	SCREW M12 x 40mm CUP PNT SKT HD	KGRB500338
15	A2929	OVEN VENT PIPE BOTTOM	AG4M210488
16	A4453	OVEN PHIAL GUIDE TUBE	AG4M211254
17	A2308	GASKET - OUTER BARREL	JGSG210327
18	A2656	BOTTOM HEAT CONDUCTION PLATE	AG5M210486
19	A2308	GASKET - OUTER BARREL	JGSG210327
20	A4750	PHIAL GUIDE TUBE LOCATION BRACKET	AG2M211287

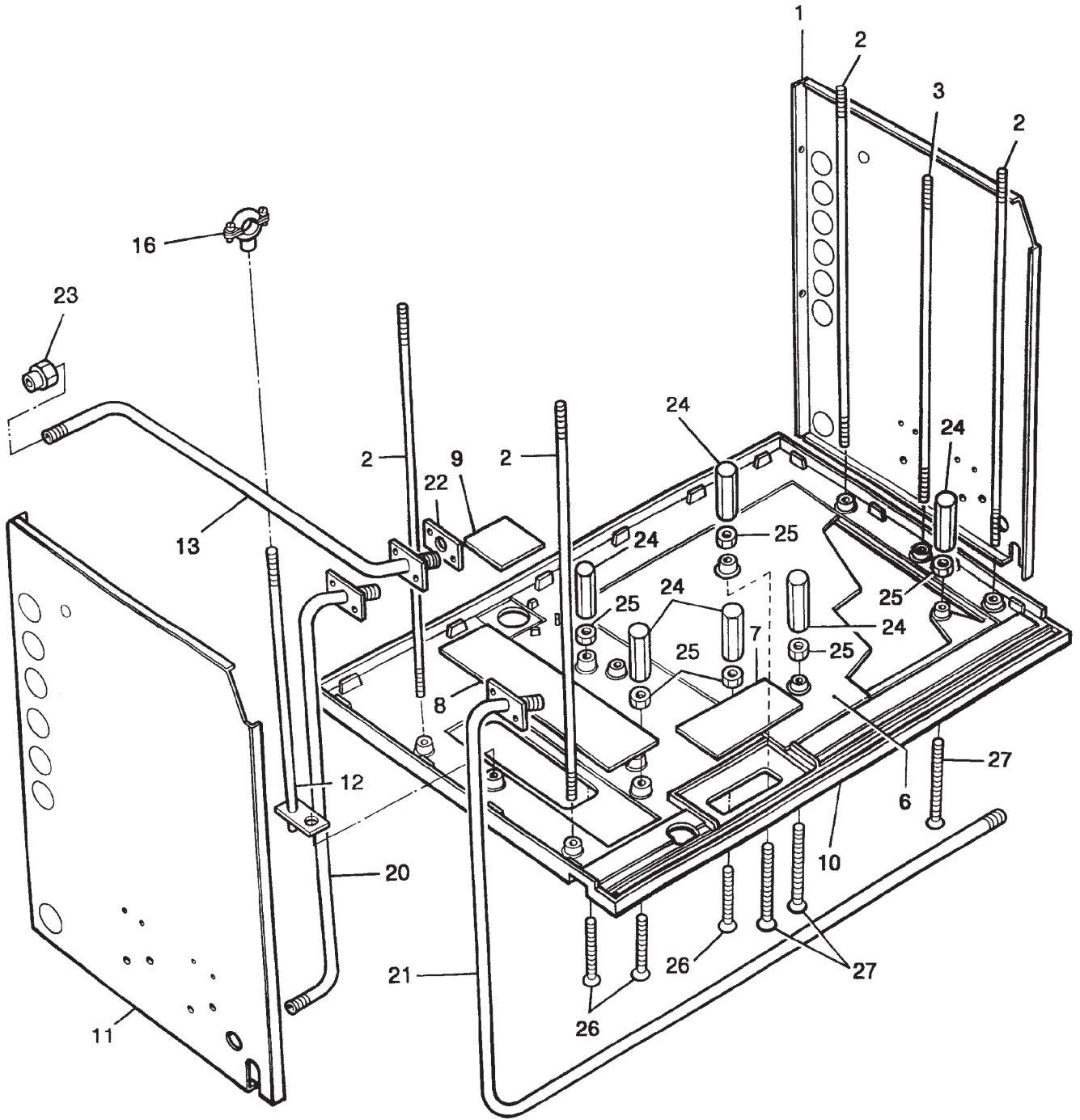


HOT SPOT, FIRE BARREL AND BAKING OVEN
AGA GC3 POWER FLUE

**AGA GC3 POWER FLUE
HOT SPOT, FIRE BARREL AND BAKING OVEN**

OCTOBER 2010

ITEM No.	CAT No.	DESCRIPTION	PRODUCT CODE
1	A1522	LH HOT SPOT	AO4M1-386
2	A4222	FIRE BARREL	AG4M210992
3	A4963	FIRE BARREL BAFFLE - UP TO M06-133	AO4M220575
3A	A1525	FIRE BARREL BAFFLE (NG) - FROM M06-133	AO5M220647
3B	A1327	FIRE BARREL BAFFLE (LPG - FROM M06-133	AG5M2-687
4	A4403	BARREL HEAT CONDUCTING PLATE	AG5M211029
5	A3769	M10 x 40 CAP HEAD	KMIS500337
6	NCA	NUT M10 HEX	KNUT500311
7	A4936	M8 x 60 HX HD SET PIN	KHEX500498
8	A3166	BARREL FIXING CLAMP	AG2M210485
9	A3289	BARREL FIXING STUD	KSTD210489
10	A4223	REAR HEAT CONDUCTING PLATE	AG5M211100
11	A4224	BARREL GASKET	JGSG211378
12	R5100	CERAMIC ROPE	JCRP342282
13	A4225	TUNNEL ASSY	AG1M211040
14	R4992	VENT PIPE	RG4M313720
15	A4781	SECURING BAR RESTING PLATE	AG2M211379
16	A4187	BAKING OVEN ASSY	AG1M-3-3M-BO
17	NCA	SCREW M12 x 30	KCSK500460
18	A2961	ROPE 9mm x 1165mm	JTHR220116
19	A4226	BOTTOM HEAT CONDUCTING PLATE	AG5M211031
20	A3639	M12 SQ NUT	KNUT500013
21	A4837	LOWER OVEN SECURING BAR	AG4M211377
22	NCA	WASHER M8 x 22mm	KWSR53410
23	A3625	M8 x 118 ALLTHREAD	KSTD210019
24	A4630	REAR BAKING OVEN INSULATION	JPAD211289
25	A4227	HEAT CONDUCTING GASKET LOWER	JGSG211409
26	A4228	HEAT CONDUCTING GASKET UPPER	JGSG211410
27	A4631	FIRE BARREL INSULATION WRAP	JPAD211288
28	A4467	OVEN BAFFLE PLATE	AG2M211648

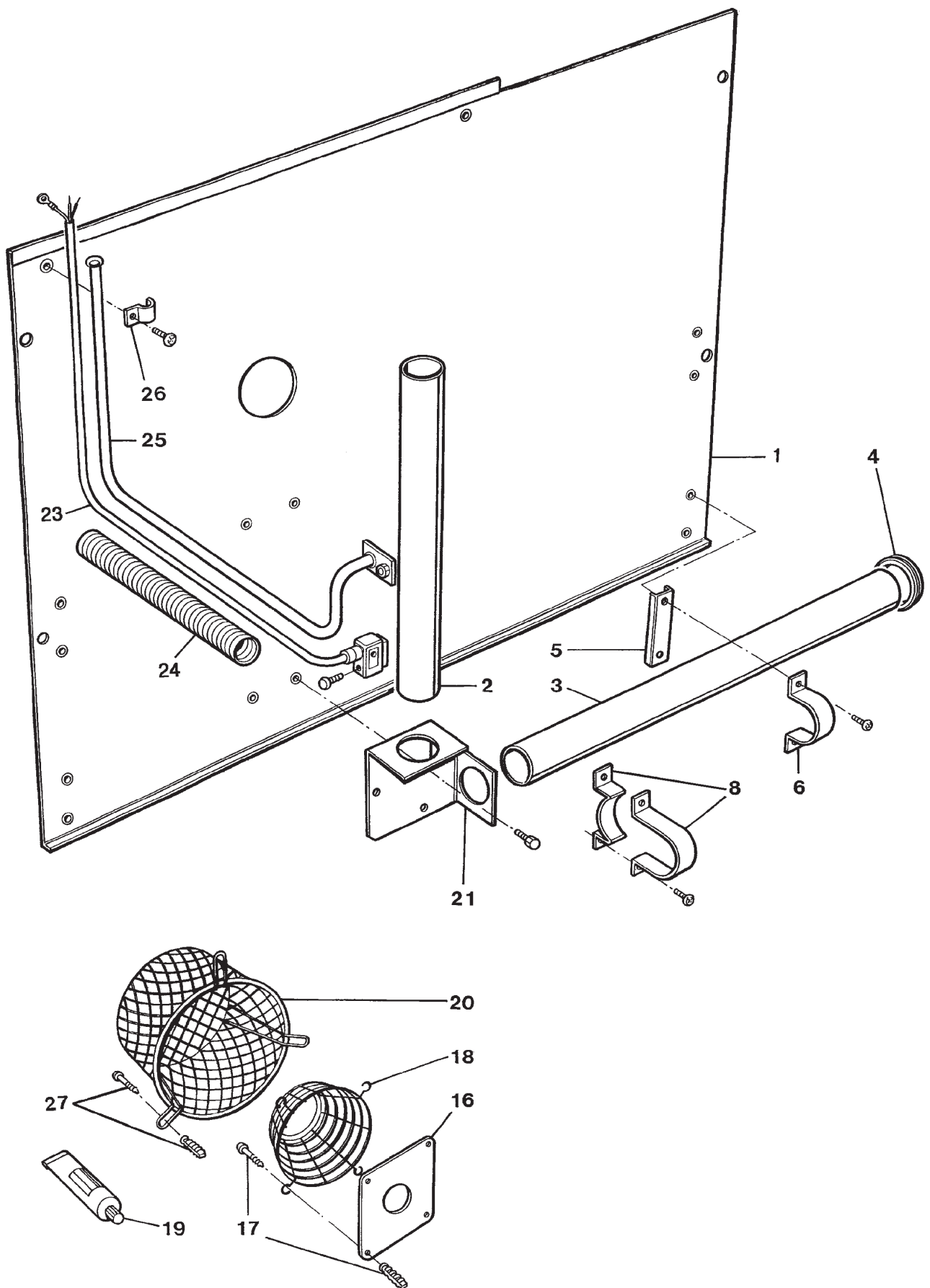


BASE, SIDE AND BACK PLATE
AGA GC3 POWER FLUE

**AGA GC3 POWER FLUE
BASE. SIDE AND BACK PLATE**

OCTOBER 2010

ITEM No.	CAT No.	DESCRIPTION	PRODUCT CODE
1	A2983	RH SIDE PLATE	AG2V210346
2	A2118	CORNER STAY ROD	AG4M210226
3	A2122	OVEN STAY ROD - TOP	AG4M210229
6	A2373	FILLER BASE PLATE LARGE	AO2M210194
7	A4459	BASE PLATE FILLER PLATE - SMALL	AS2M90080R
8	A2374	RH BASE FILLER PLATE	AO2V210306
9	A3544	FLUE OUTLET BANKING PLATE	AG2M210568
10	A2659	BASE PLATE	AG4M210560
11	A2982	LH SIDE PLATE	AG2V210345
12	A4865	PIPE WORK SUPPORT RAIL	AG4M211269
13	A4247	MAINS GAS FEED PIPE - (GC3M ONLY)	AG4M211246
16	A4373	PIPE RING CLIP SINGLE	AG4M211267
20	A4248	GAS INLET SUPPLY PIPE - LH (GC3 ONLY)	AG4M211306
21	A4249	GAS INLET SUPPLY PIPE - RH	AG4M211308
22	A4230	GAS SUPPLY GASKET	JGSG211356
23	A4598	END FEED TO BSP (INCLS NUTS AND OLIVES)	AG4M211385
24	NCA	BURNER CHAMBER SUPPORT STUD ADJUSTER	AO4M220259
25	R5022	M12 HEX FULL NUT	KNUT53135
26	NCA	M12 C/SNK SCREW x 50mm	KCSK500497
27	NCA	M12 C/SNK SCREW x 100mm	KCSK500492



FLUE PIPEWORK, TERMINAL AND BACKPLATE
AGA GC3 POWER FLUE

**AGA GC3 POWER FLUE
FLUE PIPEWORK, TERMINAL & BACK PLATE**

OCTOBER 2010

ITEM No.	CAT No.	DESCRIPTION	PRODUCT CODE
1	A3451	BACK PLATE	AG2M210344
2	A3007	VERTICAL FLUE PIPE	AG4M210380
3	A3006	HORIZONTAL FLUE PIPE	AG4M210566
4	A3244	SIDE PANEL GROMMET	AG4M210557
5	A3540	FLUE PIPE SUPPORT BRACKET	AG2M210357
6	A2569	BRACKET ASSY (PAIR)	AG4M210358PR
8	A2570	CLAMP ASSY (PAIR)	AG4M210360PR
16	A2995	FLUE TERMINAL PLATE	AG2M210456
17	A3499	RAWL PLUG AND WOOD SCREW No.8 x 1"	KRAW40583
	A2279	WOODSCREW RH HD No.8 x 1" SLOTTED	KRDH49601
18	A1233	FLUE PIPE GUARD (TERMINAL GRILL)	AG4M30439
19	A2575	FLUE PIPE SEALANT	MADH210578
20	NCA	TERMINAL GUARD - UP TO M06-170	HG4M410189
20A	A2227	TERMINAL GUARD - FROM M06-170	AG4M210160
21	A3539	FLUE PIPE POSITIONING BRACKET	AG2M210356
22	A3008	CABLE TUBE FIXING BRACKET	AG2M210522
23	A4833	SOLENOID PLUG & CABLE ASSY	AG4M211643
24	R4947	FLUE SENSOR TUBE ADAPTOR	RO4M341445
25	A4556	CABLE GUIDE TUBE	AG4M211620
26	NCA	CABLE GUIDE TUBE FIXING CLIP	AG4M211683
27	NCA	RAWL PLUG No. 12 x 35mm	KRAW40581
	A4113	WOODSCREW No. 12 x 1 1/2"	KRDH49600