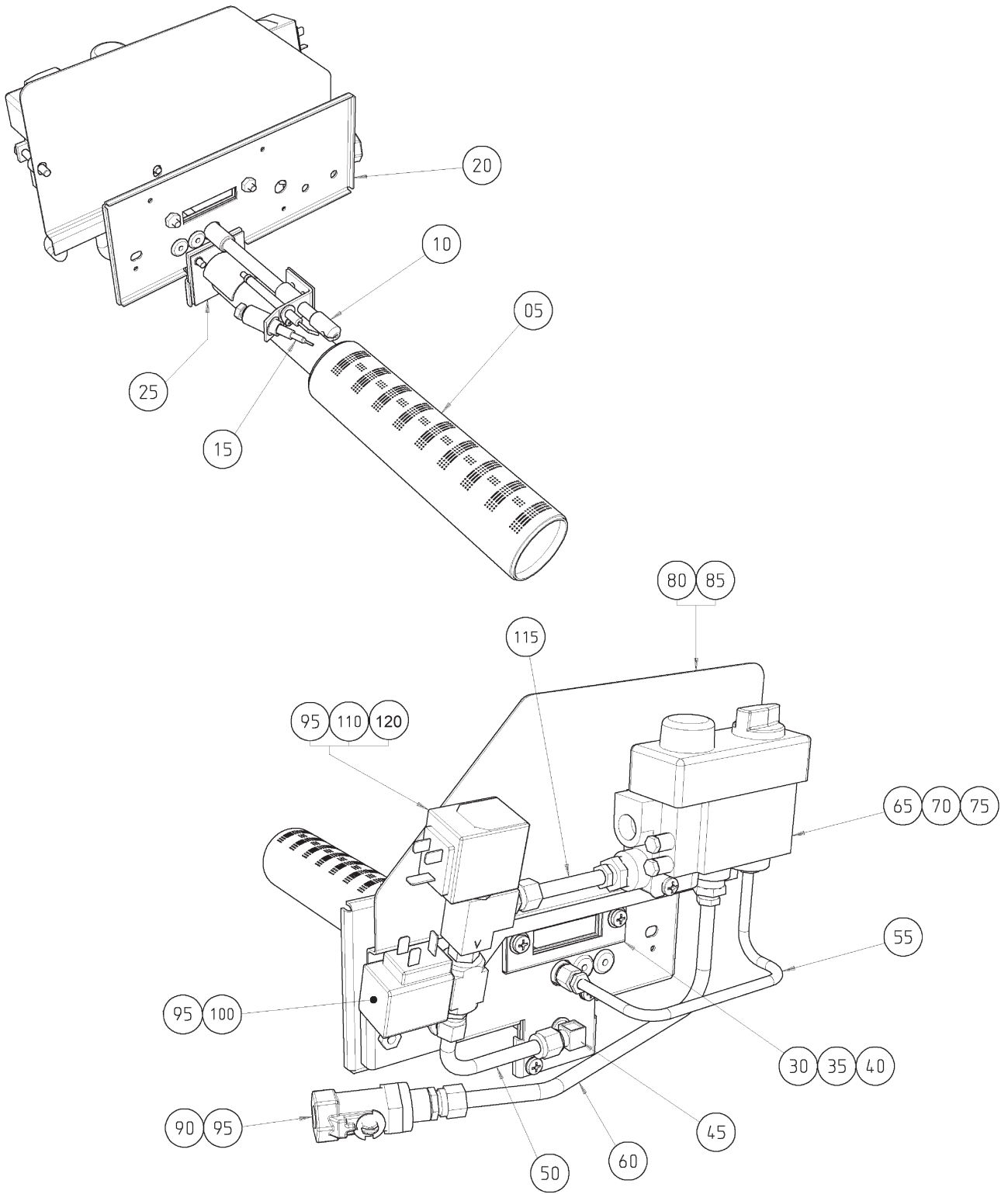


**AGA AIMS GC3 -
POWER FLUE**

***SPARE PARTS
MANUAL***

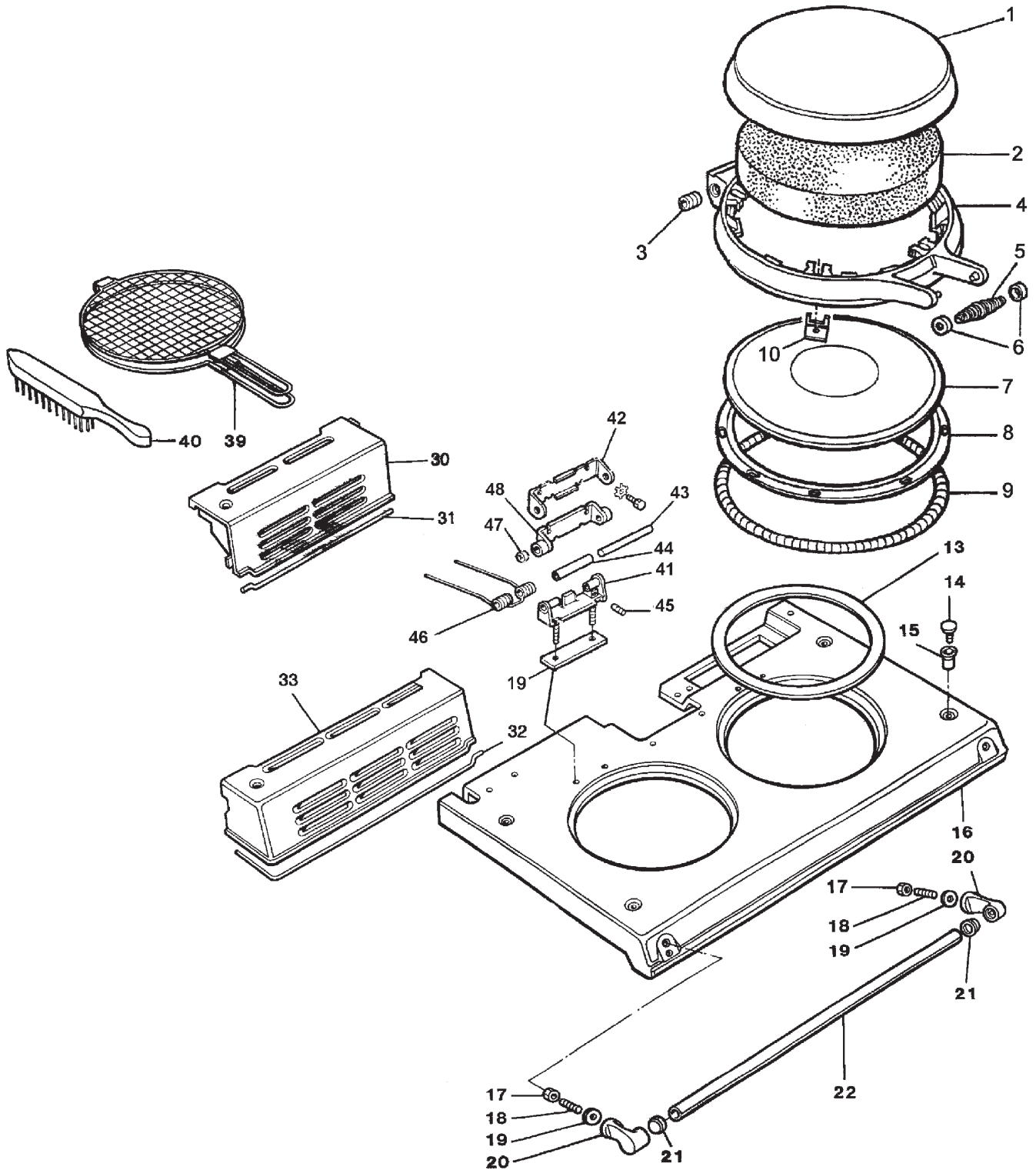


AGA AIMS GC3 POWER FLUE BURNER ASSEMBLY

**AGA AIMS GC3 POWER FLUE
BURNER ASSEMBLY (NG/LPG)**

OCTOBER 2010

ITEM No.	CAT No.	DESCRIPTION	PRODUCT CODE
05	A4246	BURNER - FURIGAS	AG4M210993
10	NCA	PILOT ASSEMBLY - NG	AG4M212086
10	A4220	PILOT ASSEMBLY - LPG	AG4M211252
15	NCA	THERMOCOUPLE	RG4T313799
20	A4218	BURNER DOOR ASSEMBLY	AG1M211416
25	A5277	INSULATION PAD - BURNER	JPAD211188
30	G1094	SIGHT GLASS FRAME	AG2M210019
35	A2204	SIGHT GLASS GASKET	AG4M210011
40	A1236	SIGHT GLASS	AG4M30840
45	A4216	BURNER INJECTOR NG CAT 82	AG4M211236
45	A4217	BURNER INJECTOR LPG CAT 92	AG4M211253
50	NCA	INJECTOR FEED PIPE	AG4M212002
55	NCA	PILOT FEED PIPE	AG4M212000
60	A5585	MAIN FEED PIPE	AG4M212001
65	A5497	GAS VALVE	AG4M212084
65A	A4652	GAS BYPASS SCREW LPG (65)	KBYP211667
65B	A4872	GAS BYPASS SCREW NG (110)	KBYP211668
70	A2199	6mm TUBE NUT	KNUT500003
75	NCA	3/8" TO 8mm COMPRESSION STRAIGHT	RG4M312137
80	NCA	GAS VALVE MOUNTING BRACKET	AG2M211989
85	NCA	GAS VALVE SPACER	AG4M211706
90	R2601	GAS SHUT-OFF COCK	RG4M313792
95	R1393	1/4" TO 8mm COMPRESSION STRAIGHT	RO4M27541
100	A5387	SOLENOID (N/O)	AG4M211998
110	A1501	1/4" HEX NIPPLE	AO4M35670
115	NCA	SOLENOID FEED PIPE	AG4M212009
120	A5454	SOLENOID (N/C) P/F GAS AIMS	AG4M212031

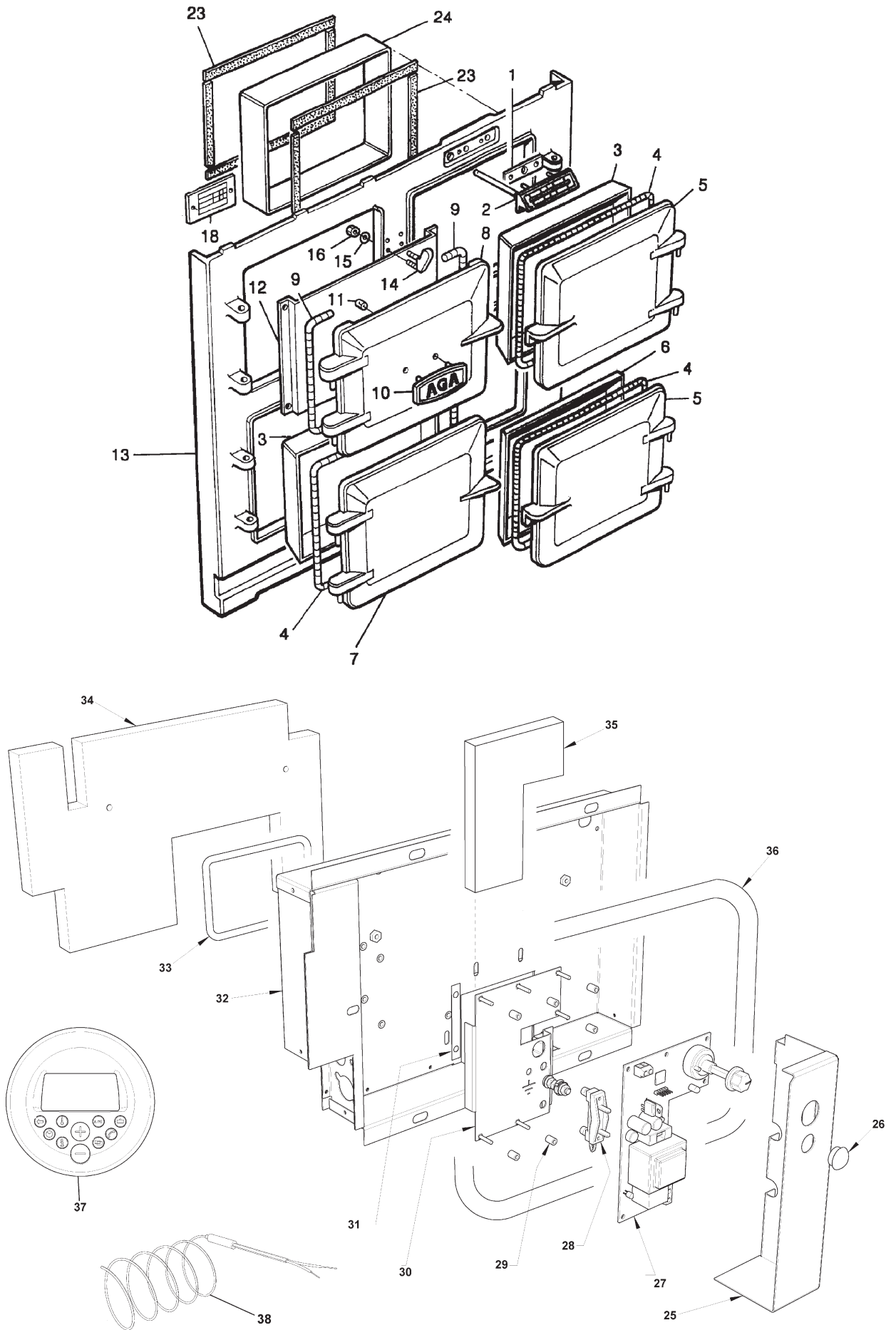


AGA AIMS GC3 POWER FLUE TOP PLATES & INSULATING COVERS

**AGA AIMS GC3 POWER FLUE
TOP PLATES, SHROUDS & DOMES**

OCTOBER 2010

ITEM No.	CAT No.	DESCRIPTION	PRODUCT CODE
1	A3614	ST/STEEL INSULATING LID COVER	AG4M210905-K
	NCA	INSULATING LID CI (NOT SHOWN)	AG5E211528
	A4637	ST/STEEL DOME ASSEMBLY - COMP.	AG1M211766
	A4639	CI DOME ASSEMBLY - COMP (NOT SHOWN)	AG1M211765
2	A5074	DOMES INSULATION PAD - 50mm	JPAD211934
3	A4816	M12 x 16 GRUB SCREW	KGRB500520
4	A4825	INSULATING LID OUTER RING	AG5E211310
5	R3028	COIL HANDLE	RO4M340522
6	R3029	INSULATING LID HANDLE CUPS	RO4M340521
7	A1632	INSULATING LID LINING - RH	AS4M34760
8	A1647	INNER HOLDING RING	AS4M40980
9	A1863	DOME SEALING ROPE	JMAR20410
10	A3636	DOME CLAMPING BRKTS - ST/ST LIDS ONLY	AG4M210904
13	A1342	INSULATING RINGS	AG5M210840
14	A2119	CORNER STAY BUTTON 5/16" BSW	AG4M210228
15	A2123	CORNER STAY NUT 5/16" BSW	AG4M210244
16	A2980	TOP PLATE	AG5E210543
17	R2630	NUT M8 x 35 LG	KNUT53061
18	A4192	ALLTHREAD M8 x 35 LG	KSTD500010
19	A3664	WASHER M8 I/D SHAKEPROOF S/S	KWSR53346
20	A2314	HANDRAIL BRACKET	AG4M210853
21	A2975	VINYL END CAP	AG4M210660
22	A1630	HANDRAIL	AG4M210642
30	A2997	SHROUD (LH OF FAN)	AG1M210625
31	NCA	SHROUD SEALING ROPE	NCA
32	NCA	SHROUD ASSY - MODULE	AE1M240098
33	NCA	SHROUD SEALING ROPE	NCA
39	A1843	TOASTER	EACS47380
40	A1841	WIRE BRUSH	EACS23230
41	A4641	HINGE ASSY WITHOUT SPRING	AG4M211742
41A	A4642	HINGE ASSY WITH SPRING - VE (UP TO M06-170)	AG4M211743
41B	A5157	HINGE ASSY - VE LIDS (FROM M06-170)	AG4M211921
42		PART OF ITEM 41 & 41A	
43		PART OF ITEM 41 & 41A	
44	NCA	SPINDLE SLEEVE (PART OF ITEM 41 & 41A)	AG4M997030
45	A5404	SCREW M5 x 16 LG GRUB	KGRB500521
46	A3646	SPRING (PART OF ITEM 41 A/B)	AG4M210774
47	A4658	ADJUSTER (PART OF ITEM 41 & 41A)	AG4M997031
48		PART OF ITEM 41 & 41A	
49	A2599	HINGE BLOCK GASKET	JGSG210477
49A	NCA	GASKET HINGE BLOCK - VE LIDS (FROM M06-170)	JGSG211914

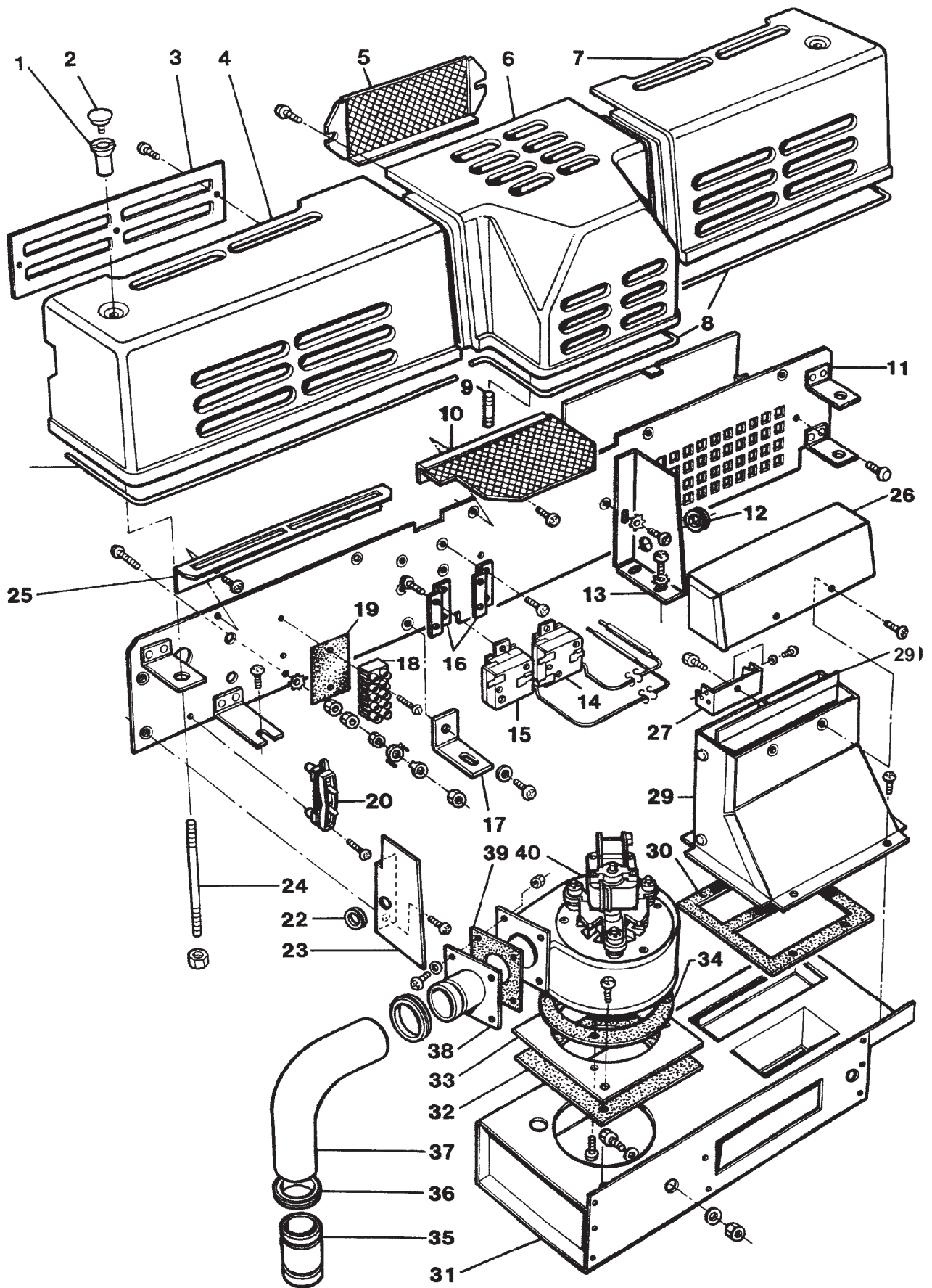


AGA GC3 POWER FLUE FRONT PLATE, DOORS AND BURNER HOUSING

**AGA AIMS GC3 POWER FLUE
FRONT PLATE, DOORS AND BURNER HOUSING ASSY**

OCTOBER 2010

ITEM No.	CAT No.	DESCRIPTION	PRODUCT CODE
1	A2115	THERMOMETER RETAINING PLATE	AO9M220004COMP
2	A1518	THERMOMETER - UP TO M10-048	AO4T46210
2A	A1314	THERMOMETER (HOLLAND ONLY) - UP TO M10-048	AG4T46290
2B	A5610	HEAT INDICATOR ASSY - FROM M10-048	AE4M231169
3	A1482	COVER INSULATION	AO2M90347
4	A3935	ROPE T/SEAL - BLACK (TOP DOOR)	AG4M997916
	A3936	ROPE T/SEAL - BLACK (BOTTOM DOORS)	AG4M997917
5	A1709	OVEN DOOR - COMPLETE TOP RH	AS9E1-9285E
5A	A1710	OVEN DOOR - COMPLETE BOTTOM RH	AS9E1-9285F
6	A1482	COVER INSULATION	AO2M90347
7	NCA	DOOR	AS5E1-9285L
7A	A4182	OVEN DOOR COMPLETE - LH	AG9M998850
8	A4183	BURNER DOOR - COMP	AG9M998851
9	NCA	BLACK ROPE TH No. 4 x 290 LG	JTHR210937X290
10	A2274	NAME BADGE	AG4M210184
11	A1567	PUSH ON FIXING (PAIR)	AO9M38850PR
12	A4786	LIGHTING INSTRUCTIONS	AG4M211634
13	A4962	FRONT PLATE	AG5E211060
13A	A4194	FRONT PLATE COMPLETE	AG1M211332
14	A3956	DOOR CATCH	AG4M250478
15	A4706	DOOR CATCH GASKET	JGSG211270
16	A4707	LOCKING NUT	KNUT500485
18	NCA	DATA PLAQUE - NG	AG2M211616
	NCA	DATA PLAQUE - LPG	AG2M211615
23	A2860	PYROTAPE	JTHR210645
24	A4784	OVEN FRAME KIT	AG4M211602
25	NCA	CONTROLS COVER	AG2M212003
26	NCA	LENS COVER	AG4M212033
27	A5381	PCB CONTROLLER	AG4M211996
28	R2190	CABLE CLAMP	RG4M26192
29	NCA	PCB SPACER	AG4M212014
30	NCA	PCB MOUNTING PLATE	AG2M212013
31	NCA	GASKET - PCB MOUNTING PLATE	JGSG212090
32	NCA	CONTROLS HOUSING	AG1M211993
33	A4419	TUNNEL ROPE SEAL	JTHR211303
34	NCA	INSULATION PAD	JPAD212038
35	A5599	PCB INSULATION PAD	JPAD212089
36	A4418	ROPE SEAL - CONTROLS HOUSING	JTHR211302
37	A5382	HANDSET - UP TO M10-048	AG4M211997
37A	A5609	HEAT INDICATOR HANDSET (GAS AIMS) - FROM M10-048	AG4M212193
38	A5177	OVEN THERMOCOUPLE	AE4M230890

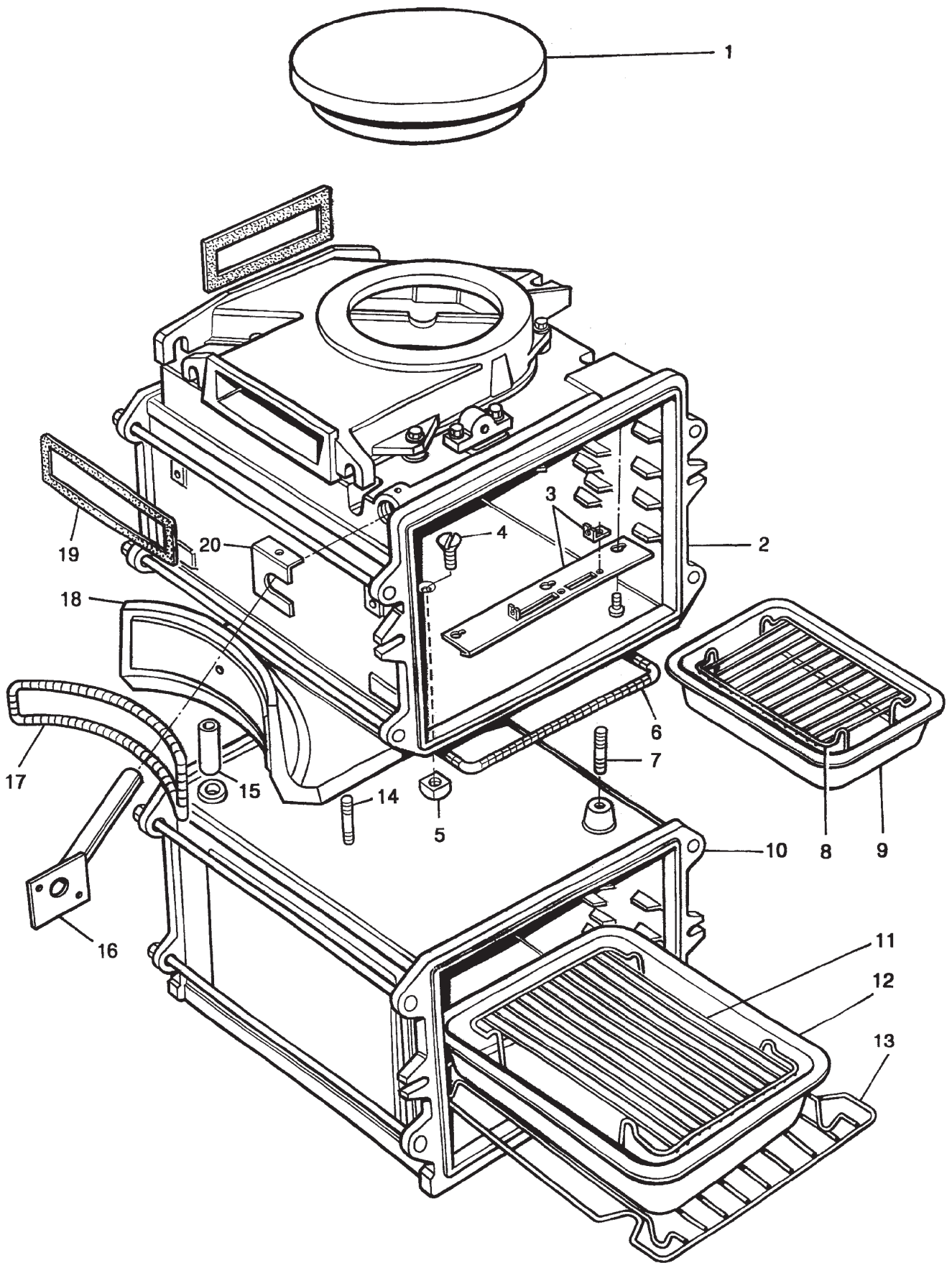


AGA AIMS GC3 POWER FLUE
 FAN ASSEMBLY & COMPONENTS INC. SHROUDS

**AGA AIMS GC3 POWER FLUE
FAN ASSEMBLY & COMPONENTS INC. SHROUDS**

OCTOBER 2010

ITEM No.	CAT No.	DESCRIPTION	PRODUCT CODE
1	A2123	CORNER STAY NUT - 5/16"	AG4M210244
2	A2119	CORNER STAY NUT BUTTON - 5/16"	AG4M210228
3	A3547	LH SHROUD FRONT PLATE	AG2V210569
4	A2146	LH SHROUD	AE5E230158
5	A4860	FAN SHROUD FRONT COVER PLATE	AG2V211638
6	A4599	FAN SHROUD	AG5E210547
7	A3028	RH SHROUD	AG5E210376
8	A1900	SHROUD SEALING ROPE	JTHR20340
9	A2986	ALLTHREAD M5 x 12mm	KSTD52085
	A4749	CHASSIS ASSY (M09-142) INCLS (10, 11, 13, 14, 15, 16, 17, 18, 19, 22, 25)	AG1M211687
10	A5156	CENTRE SHROUD TOP COVER	AG2V211633
11	A4708	REAR SHIELD ASSY	AG1M211688
12	R2719	CHASSIS GROMMET	RG4M31317
13	A3541	FAN SHROUD BAFFLE	AG2M210389
14	A4481	FLUE TEMPERATURE STAT - 75°C (UK)	AG4T211644
15	A3034	FLUE TEMPERATURE STAT - 80°C (UK)	AG4T210541
16	A3029	FLUE STAT MOUNTING BRACKET	AG2M210354
17	R2891	CHASSIS FIXING BRACKET	RO2M321281
18	A2471	12-WAY TERMINAL BLOCK	AE4M45669
19	A5448	TERMINAL BLOCK LABEL	EGLL210575
20	R2190	CABLE CLAMP	RG4M26192
22	R2719	CHASSIS GROMMET	RG4M31317
23	A3543	SHROUD END BRACKET FOR MODULE	AG2M210567
24	A1102	SHROUD STAY RODS	AE4M44115
25	A3546	END SHROUDS - TOP PLATE	AG2V210377
26	A4738	FLUE MIXING SHROUD	AG2V211651
27	A3030	STAT PHIAL LOCATION BRACKET	AG2M210448
29	A4709	FLUE OUTLET NOZZLE ASSY	AG1M211649
30	A3038	FLUE NOZZLE GASKET	JGSG210452
31	A4680	FLUE DUCT ASSY	AG1M211654
32	A3037	FAN MOUNTING PLATE GASKET	JGSG210453
33	A2988	FAN MOUNTING PLATE	AG2M210351
34	C1591	FAN SEALING GASKET	JGSG410143
35	A2571	FLUE TUBE COUPLING ASSY	HG9M410164COMP
36	(included with above)	FLUE PIPE SEALING RING	HG4M410180
37	A2574	FLUE PIPE BEND 90°	AG4M210381
38	A2989	FAN OUTLET ADAPTOR ASSY	AG1M210352
39	A3513	FAN OUTLET GASKET	JGSG210455
40	A4474	FLUE EXTRACTOR FAN (C/W ADAPTOR)	AG1M211686
	A2992	FLUE EXTRACTOR FAN	AG4M211685
Not illustrated	A2626	FLUE PIPE BEND 45°	AG4M210618
	A2572	FLUE PIPE 1m PLASTIC COATED	AG4M210559
	A2573	FLUE PIPE 2m PLASTIC COATED	AG4M210576
	A5162	SEALING 'O' RING - PACK OF 8	AG4M211747
	A2571	FLUE COUPLING ASSEMBLY (4-OFF)	HG9M410164COMP

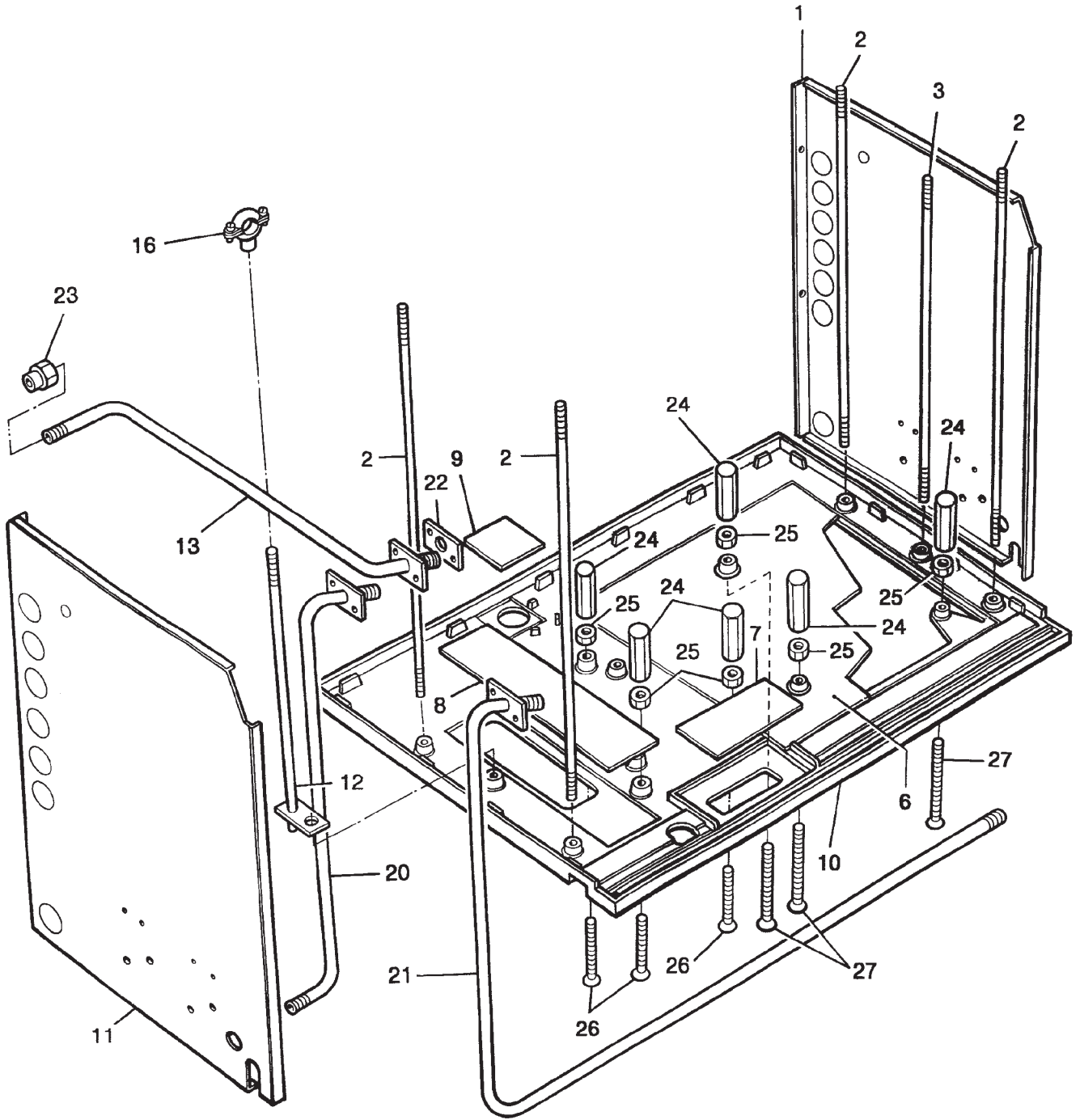


AGA AIMS GC3 POWER FLUE
 ROASTING OVEN, SIMMERING OVEN & FLUE MANIFOLD

**AGA AIMS GC3 POWER FLUE
ROASTING OVEN, SIMMERING OVEN & FLUE MANIFOLD**

FEBRUARY 2011

ITEM No.	CAT No.	DESCRIPTION	PRODUCT CODE
1	A1527	SIMMERING PLATE	AO5M2-695
2	A3537	ROASTING OVEN ASSY	AG1M-RO-NF
3	A3723	CONTROL PHIAL SUPPORT PLATE	AO1M220145
3A	A5388	THERMOCOUPLE RETAINING BRACKET	AG2M212034
4	A2068	SCREW M12 x 30 LG	KCSK500018
5	A3639	M12 SQUARE NUT	KNUT500013
6	A2961	SEALING ROPE 9mm x 1165mm LG	JTHR220116
7	NCA	SCREW M12 x 40mm CUP PNT SKT HEAD	KGRB500338
8	A2312	GRILL RACK - SMALL	AG4M210269
9	A3284	ROASTING TIN - SMALL	EMTY530217
10	A1476	SIMMERING OVEN ASSY	AG1M-SO-NF
11	A2313	GRILL RACK - LARGE	AG4M210268
12	A3285	ROASTING TIN - LARGE	EMTY530218
13	A1282	OVEN GRID SHELF	AE4M211863
14	NCA	SCREW M12 x 40mm CUP PNT SKT HD	KGRB500338
15	A2929	OVEN VENT PIPE BOTTOM	AG4M210488
16	A4453	OVEN PHIAL GUIDE TUBE	AG4M211254
17	A2308	OUTER BARREL GASKET	JGSG210327
18	A2656	BOTTOM HEAT CONDUCTION PLATE	AG5M210486
19	A2308	OUTER BARREL GASKET	JGSG210327
20	A4750	BRACKET - PHIAL GUIDE	AG2M211287

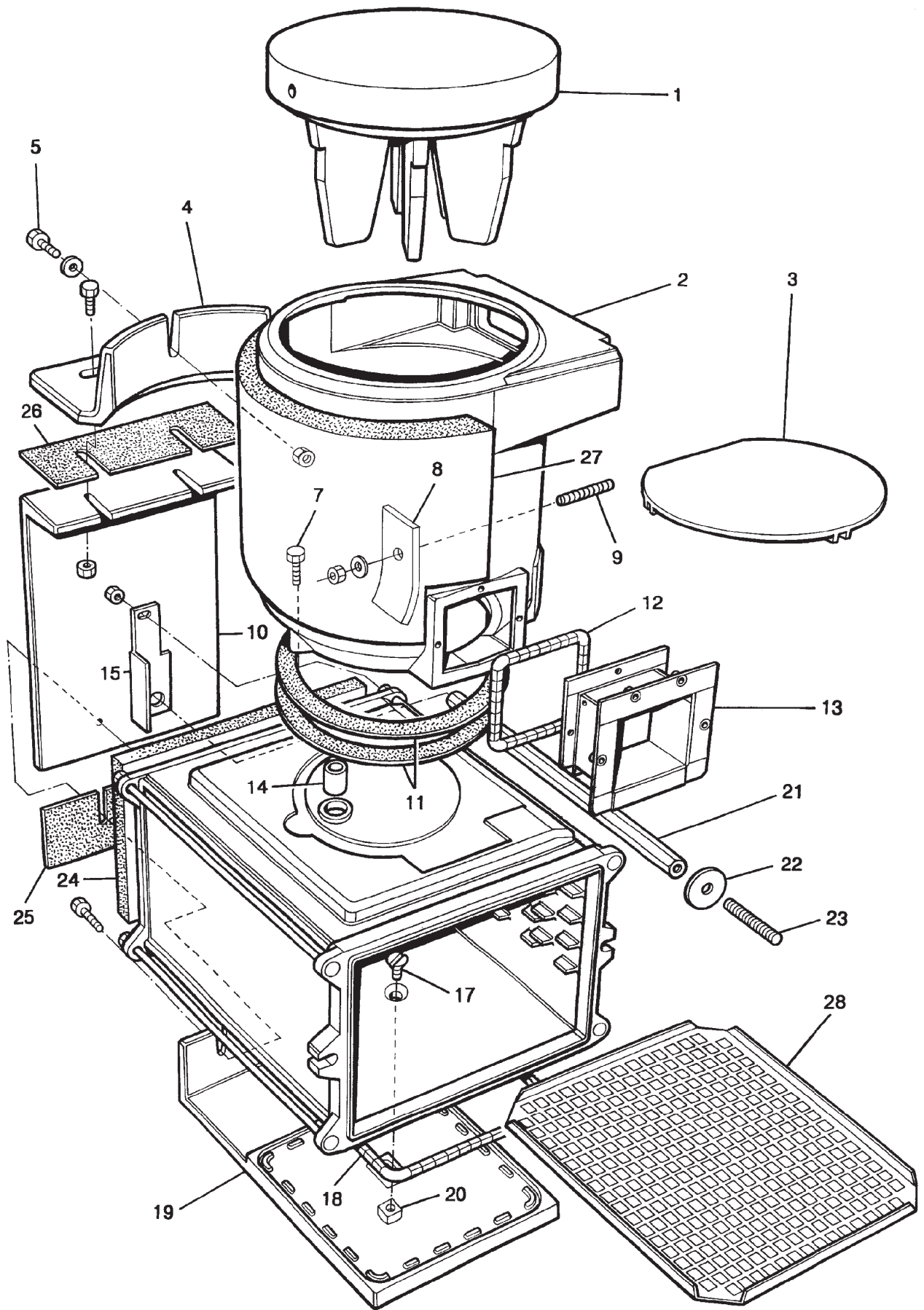


AGA AIMS GC3 POWER FLUE
BASE, SIDE AND BACK PLATE

**AGA AIMS GC3 POWER FLUE
BASE, SIDE AND BACK PLATE**

OCTOBER 2010

ITEM No.	CAT No.	DESCRIPTION	PRODUCT CODE
1	A2983	RH SIDE PLATE	AG2V210346
2	A2118	CORNER STAY ROD	AG4M210226
3	A2122	OVEN STAY ROD - TOP	AG4M210229
6	A2373	FILLER PIECE - BASE PLATE LARGE	AO2M210194
7	A4459	BASE PLATE FILLER PLATE - SMALL	AS2M90080R
8	A2374	RH BASE FILLER PLATE	AO2V210306
9	A3544	FLUE OUTLET BANKING PLATE	AG2M210568
10	A2659	BASE PLATE	AG4M210560
11	A2982	LH SIDE PLATE	AG2V210345
12	A4865	PIPE WORK SUPPORT RAIL	AG4M211269
13	A4247	MAINS GAS FEED PIPE - (GC3M ONLY)	AG4M211246
16	A4373	PIPE RING CLIP SINGLE	AG4M211267
20	A4248	GAS INLET SUPPLY PIPE - LH (GC3 ONLY)	AG4M211306
21	A4249	GAS INLET SUPPLY PIPE - RH	AG4M211308
22	A4230	GAS SUPPLY GASKET	JGSG211356
23	A4598	END FEED TO BSP (INCLS NUTS AND OLIVES)	AG4M211385
24		BURNER CHAMBER SUPPORT STUD ADJUSTER	AO4M220259
25	R5022	M12 HEX FULL NUT	KNUT53135
26	NCA	M12 C/SNK SCREW x 50mm	KCSK500497
27	NCA	M12 C/SNK SCREW x 100mm	KCSK500492

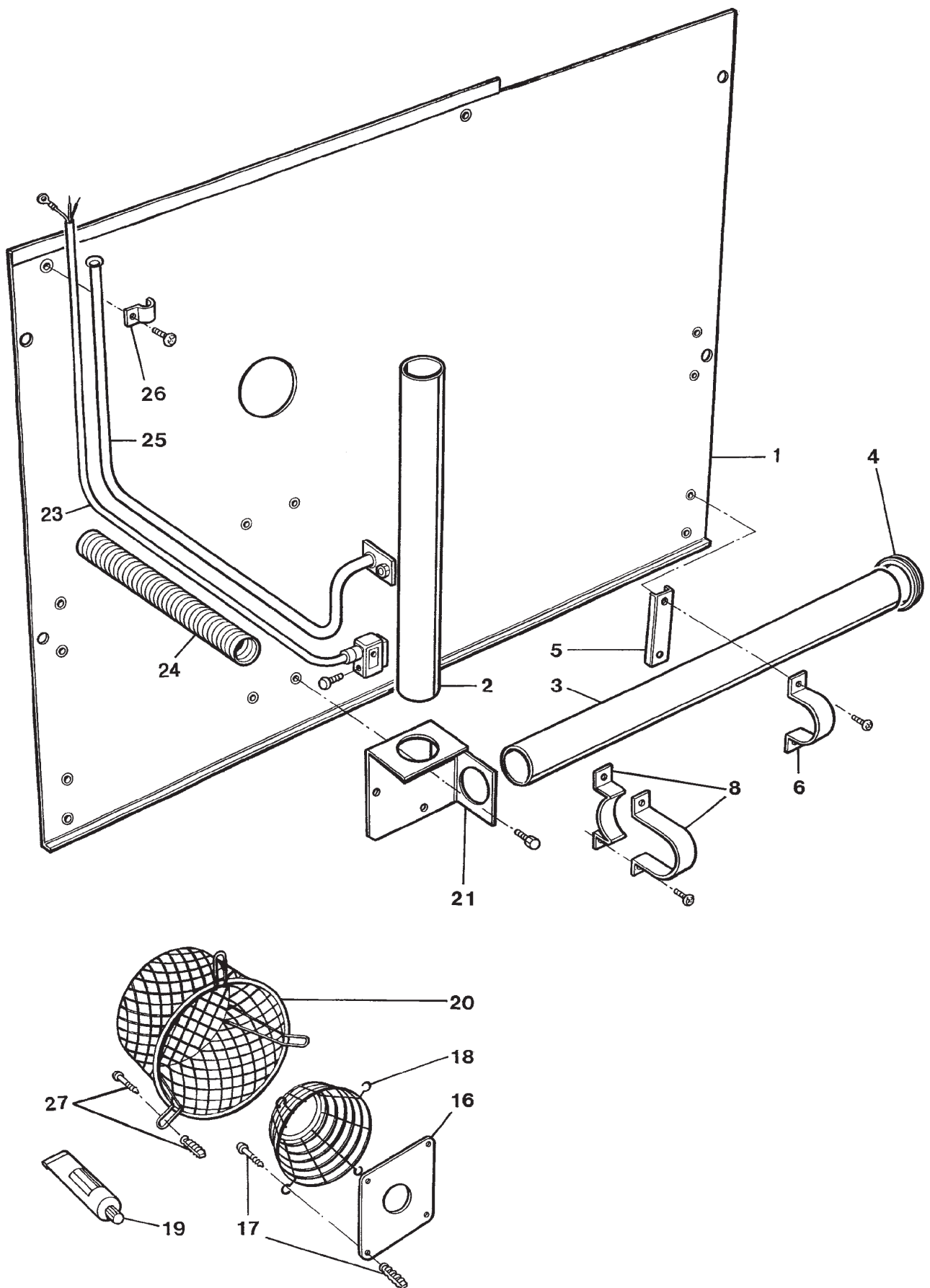


AGA AIMS GC3 POWER FLUE
HOT SPOT, FIRE BARREL AND BAKING OVEN

**AGA AIMS GC3 POWER FLUE
HOTSPOT, FIRE BARREL AND BAKING OVEN**

OCTOBER 2010

ITEM No.	CAT No.	DESCRIPTION	PRODUCT CODE
1	A1522	LH HOT SPOT	AO4M1-386
2	A4222	FIRE BARREL	AG4M210992
3	A1525	FIRE BARREL BAFFLE - NG	AO5M220647
	A1327	FIRE BARREL BAFFLE (WITH HOLE) - LPG	AG5M2-687
4	A4403	BARREL HEAT CONDUCTING PLATE	AG5M211029
5	A3769	M10 x 40 CAP HEAD	KMIS500337
6	NCA	NUT M10 ST/ST	KNUT500311
7	A4936	M8 x 60 HX HD SET PIN	KHEX500498
8	A3166	BARREL FIXING CLAMP	AG2M210485
9	A3289	BARREL FIXING STUD	KSTD210489
10	A4223	REAR HEAT CONDUCTING PLATE	AG5M211100
11	A4224	GASKET - OUTER BARREL	JGSG211378
12	R5100	CERAMIC ROPE - 10 x 455mm LG	JCRP342282
13	A4225	TUNNEL ASSY	AG1M211040
14	R4992	VENT PIPE	RG4M313720
15	A4781	SECURING BAR RESTING PLATE	AG2M211379
16	A4187	BAKING OVEN ASSY	AG1M-3-3M-BO
17	NCA	SCREW M12 x 30	KCSK500460
18	A2961	ROPE 9mm x 1165 mm	JTHR220116
19	A4226	BOTTOM HEAT CONDUCTING PLATE	AG5M211031
20	A3639	M12 SQ NUT	KNUT500013
21	A4837	LOWER OVEN SECURING BAR	AG4M211377
22	NCA	WASHER M8 x 22mm x 12 SWG	KWSR53410
23	A3625	M8 x 118 ALLTHREAD	KSTD210019
24	A4630	REAR BAKING OVEN INSULATION	JPAD211289
25	A4227	HEAT CONDUCTING GASKET LOWER	JGSG211409
26	A4228	HEAT CONDUCTING GASKET UPPER	JGSG211410
27	A4631	FIRE BARREL INSULATION WRAP	JPAD211288
28	A4467	OVEN BAFFLE PLATE	AG2M211648



AGA AIMS GC3 POWER FLUE
 FLUE PIPEWORK, TERMINAL & BACK PLATE

**AGA AIMS GC3 POWER FLUE
FLUE PIPEWORK, TERMINAL & BACK PLATE**

OCTOBER 2010

ITEM No.	CAT No.	DESCRIPTION	PRODUCT CODE
1	A3451	BACK PLATE	AG2M210344
2	A3007	VERTICAL FLUE PIPE	AG4M210380
3	A3006	HORIZONTAL FLUE PIPE	AG4M210566
4	A3244	SIDE PANEL GROMMET	AG4M210557
5	A3540	FLUE PIPE SUPPORT BRACKET	AG2M210357
6	A2569	FLUE PIPE LOCATION BRACKET	AG4M210358PR
8	A2570	FLUE PIPE CLAMP	AG4M210360PR
16	A2995	FLUE TERMINAL PLATE	AG2M210456
17	A3499	RAWL PLUG AND WOOD SCREW No.8 x 1"	KRAW40583
	A2279	WOODSCREW RH HD No.8 x 1" SLOTTED	KRDH49601
18	A1233	FLUE PIPE GUARD (TERMINAL GRILL)	AG4M30439
19	A2575	FLUE PIPE SEALANT	MADH210578
20	A3000	TERMINAL GUARD - UP TO M06-170	HG4M410189
20A	A2227	TERMINAL GUARD - FROM M06-170	AG4M210160
21	A3539	FLUE PIPE POSITIONING BRACKET	AG2M210356
22	A3008	CABLE TUBE FIXING BRACKET	AG2M210522
23	A4833	SOLENOID PLUG & CABLE ASSY	AG4M211643
24	R4947	CABLE PIPE SLEEVE	RO4M341445
25	A4556	CABLE GUIDE TUBE	AG4M211620
26	NCA	CABLE GUIDE TUBE FIXING CLIP	AG4M211683
27	NCA	RAWL PLUG	KRAW40581
27	A4113	WOOD SCREW No. 12 x 1.5"	KRDH49600