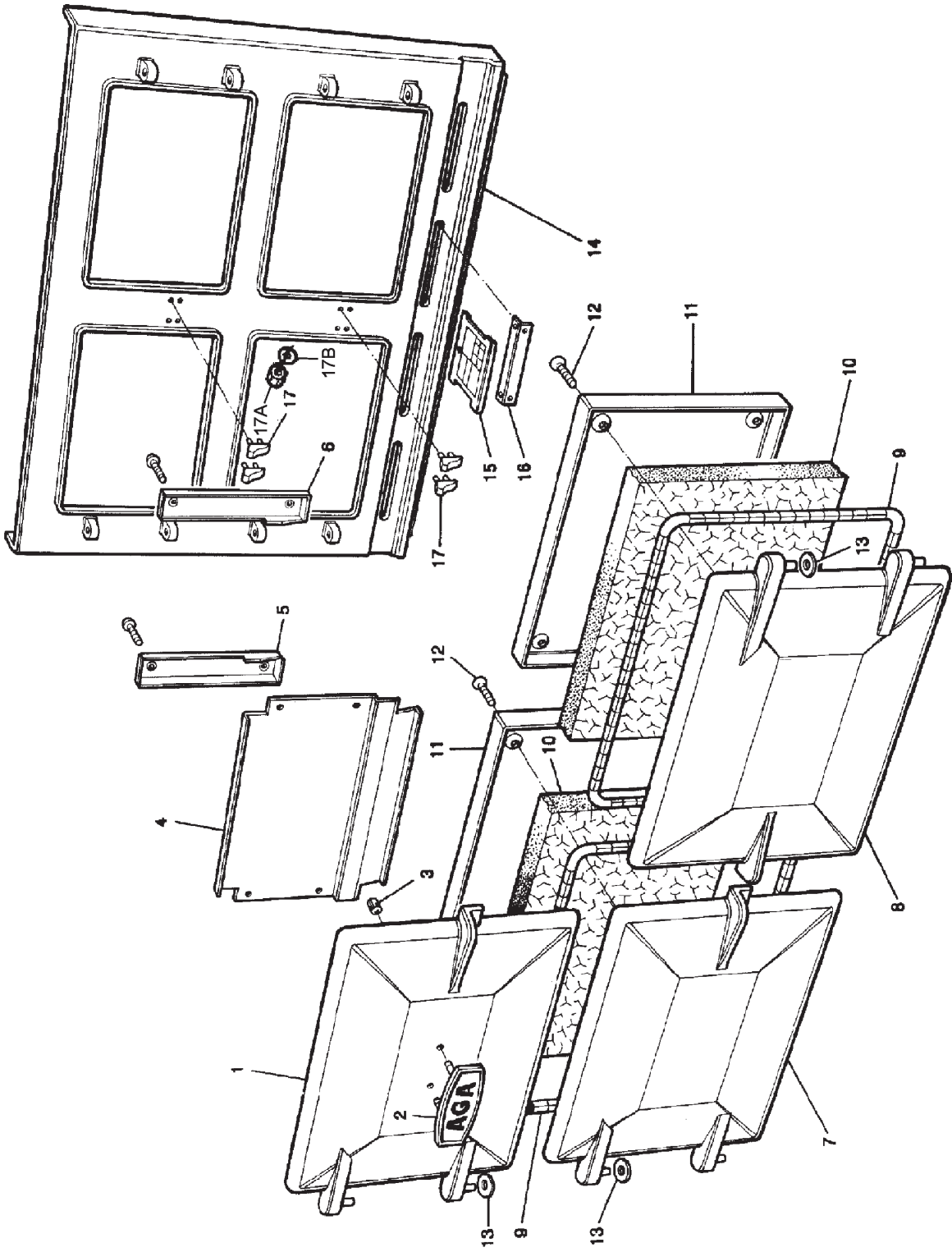


**AGA SIX-FOUR
SERIES - DC6
(WITH FFD'S)**

***SPARE PARTS
MANUAL***

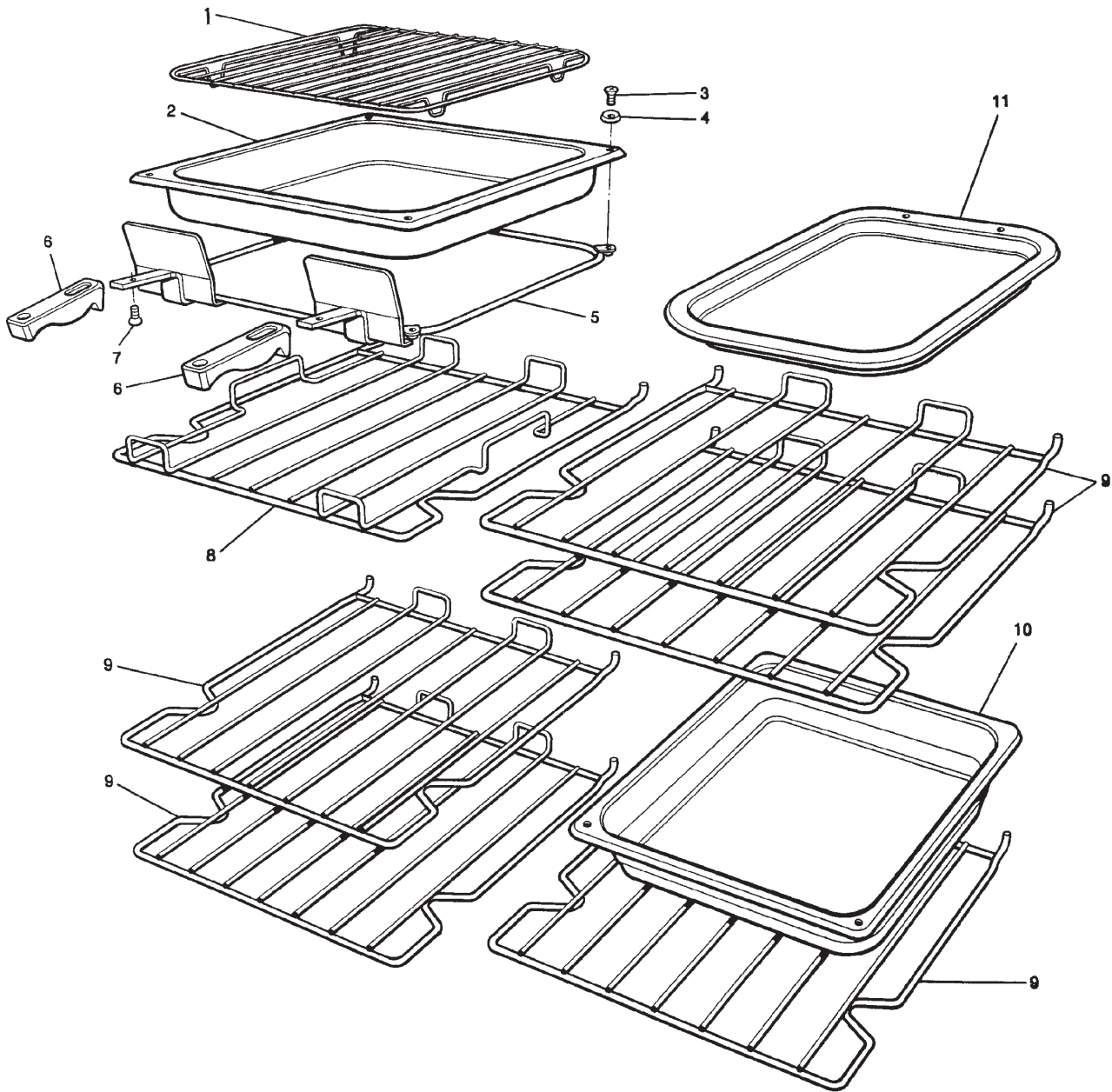


AGA SIX-FOUR SERIES - DC6 (WITH FFD'S)
FRONT PLATE AND DOORS

**AGA SIX-FOUR SERIES - DC6 (WITH FFD'S)
FRONT PLATE AND DOORS**

JANUARY 2011

ITEM No.	CAT No.	DESCRIPTION	PRODUCT CODE
1	A4069	GRILL DOOR COMP	AG9M998742
2	A2274	AGA BADGE	AG4M210184
3	A1567	BADGE CLIP (PAIR)	AO9M38850PR
4	A4365	GRILL DOOR LINER	AG4M250574
5	A3952	GRILL DOOR LINER - LH	AG4M250573
6	A3953	GRILL DOOR LINER - RH	AG4M250583
7	A4068	FAN OVEN DOOR ASSY COMP	AE9M240204
8	A4070	RH DOOR ASSY COMP	AG9M998743
9	A3954	DOOR SEAL T/SEAL ROPE 4 x 1185 LG	AE1M230400
10	R6413	ROCKWOOL	MRWF35400
11	A3022	DOOR LINING PANEL - UP TO M06-179	AG4M250923
11A	A5190	DOOR LINING PANEL - FROM M06-179	AG4M240436
12	A5255	SCREW M6 x 20 LG	KCSK500339
13	A1950	WASHER	KWSR53500
14	A3955	FRONT PLATE	AG5E250477
14A	A4026	FRONT PLATE C/W DOORS	AG9M998740
15	NCA	SLIDING PLATE - DATA PLAQUE	AE2V240148
16	A3058	SLIDING PLATE MOUNTING BRACKET - UP TO M04-090	AE2M240147
16A	A3057	SLIDING PLATE C/W BRACKET - FROM M04-090	RG9V301145
17	A3956	DOOR CATCH	AG4M250478
17A	A4706	DOOR CATCH GASKET	JGSG211270
17B	A4707	M5 LOCKING NUT	KNUT500485

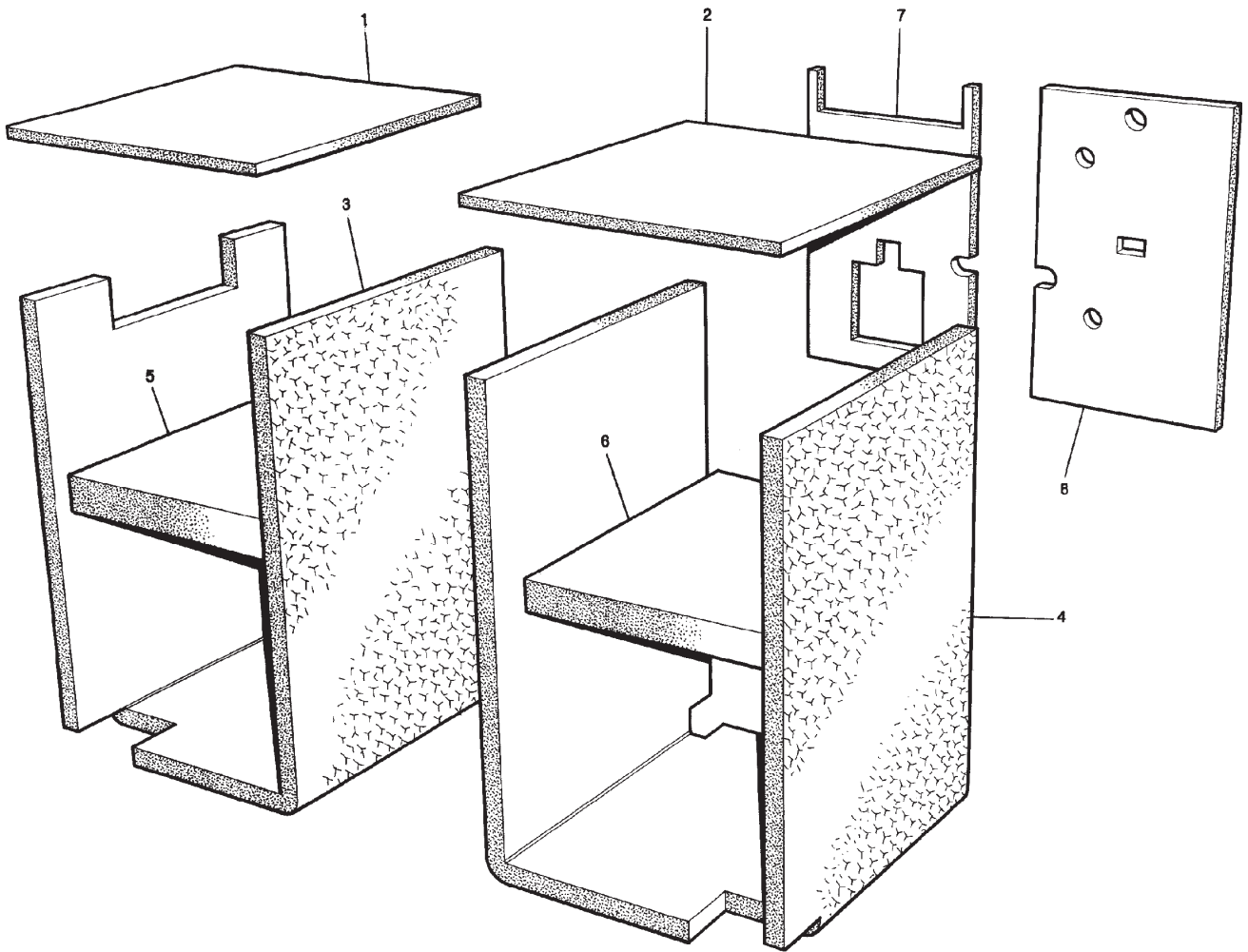


AGA SIX-FOUR SERIES - DC6 (WITH FFD'S)
ACCESSORIES/FURNITURE

**AGA SIX-FOUR SERIES - DC6 (WITH FFD'S)
ACCESSORIES/FURNITURE**

JANUARY 2011

ITEM No.	CAT No.	DESCRIPTION	PRODUCT CODE
1	A4028	GRILL PAN ASSY	AG1M250529
1	M0081	GRILL - TRIVET	AE4M260250
2	M0082	GRILL PAN - BODY	AE4M260337
3	A4120	SCREW M5 x 10mm	KCSK500408
4	M0242	M5 SCREW CAP	KWSR500415
5	A4173	SUPPORT FRAME - GRILL PAN	AG4M250480
6	M0084	HANDLE - GRILL PAN	AE4M260114
7	M0117	SCREW M5 x 12 (NYLON)	KCSK500483
8	A3957	GRILL SHELF	AG4M250516
9	A2973	GRID SHELF OVEN	AE4M240065
10	A3958	MEAT/ROASTING TIN	AG4M250432
11	A3959	BAKING TRAY	AG4M250579

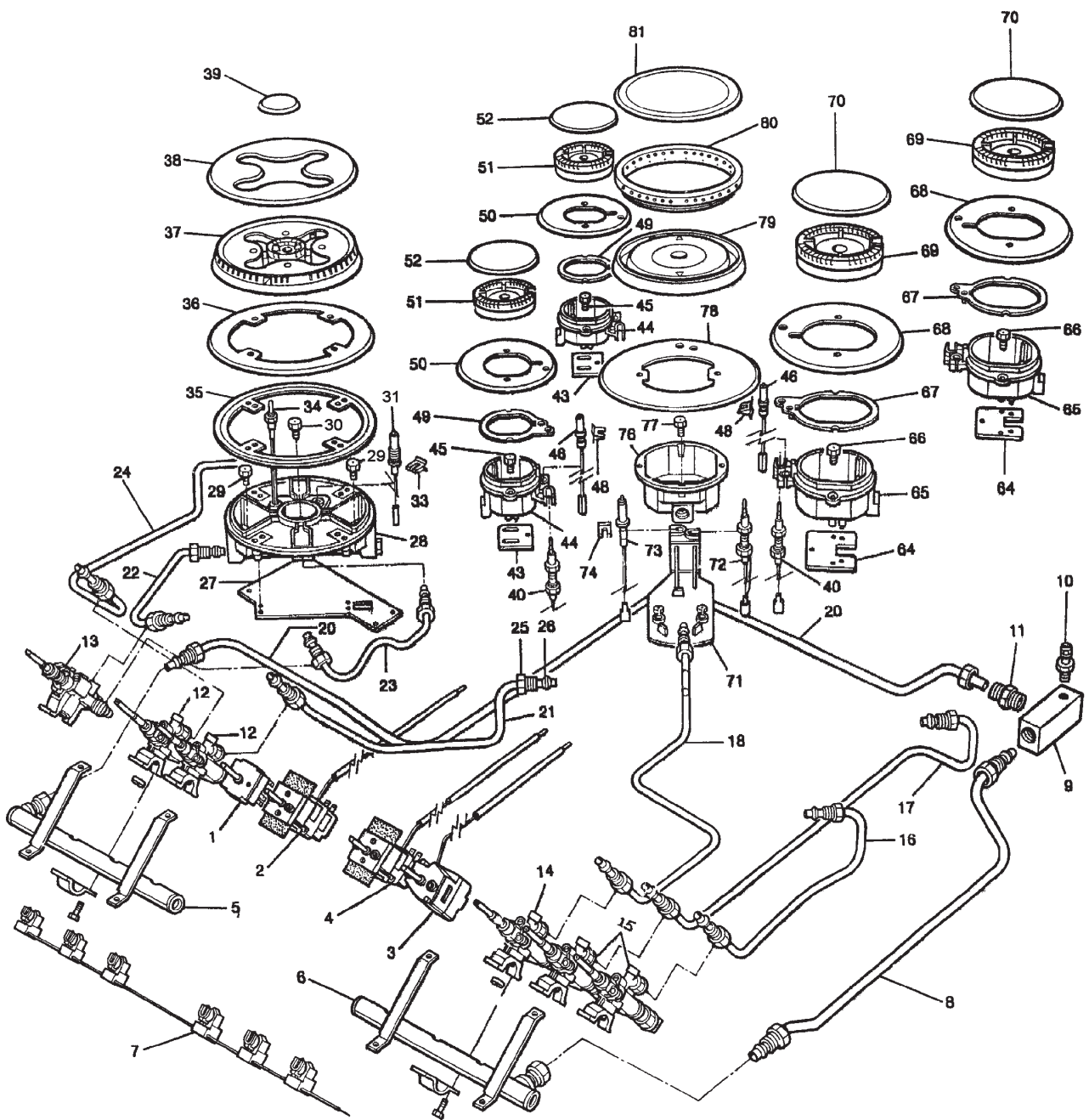


AGA SIX-FOUR SERIES - DC6 (WITH FFD'S)
INSULATION

**AGA SIX-FOUR SERIES - DC6 (WITH FFD'S)
INSULATION**

JANUARY 2011

ITEM No.	CAT No.	DESCRIPTION	PRODUCT CODE
1	A4107	OVEN INSULATION - LH TOP	JPAD250611
2	A4108	OVEN INSULATION - RH TOP	JPAD250496
3	NCA	OVEN INSULATION - LH WRAP	JPAD250494
4	A4527	OVEN INSULATION - RH WRAP	JPAD250495
5	A5264	OVEN INSULATION - INSERT	JPAD250512
6	A5564	OVEN INSULATION - INSERT (RH)	JPAD250596
7	NCA	OVEN INSULATION - BACK (LH)	JPAD250498
8	NCA	OVEN INSULATION - BACK (RH)	JPAD250499



AGA SIX-FOUR SERIES - DC6 (WITH FFD'S)
 (FROM NP04-019) HOTPLATE AND BURNER PARTS

**AGA SIX-FOUR SERIES
HOTPLATE BURNER PARTS**

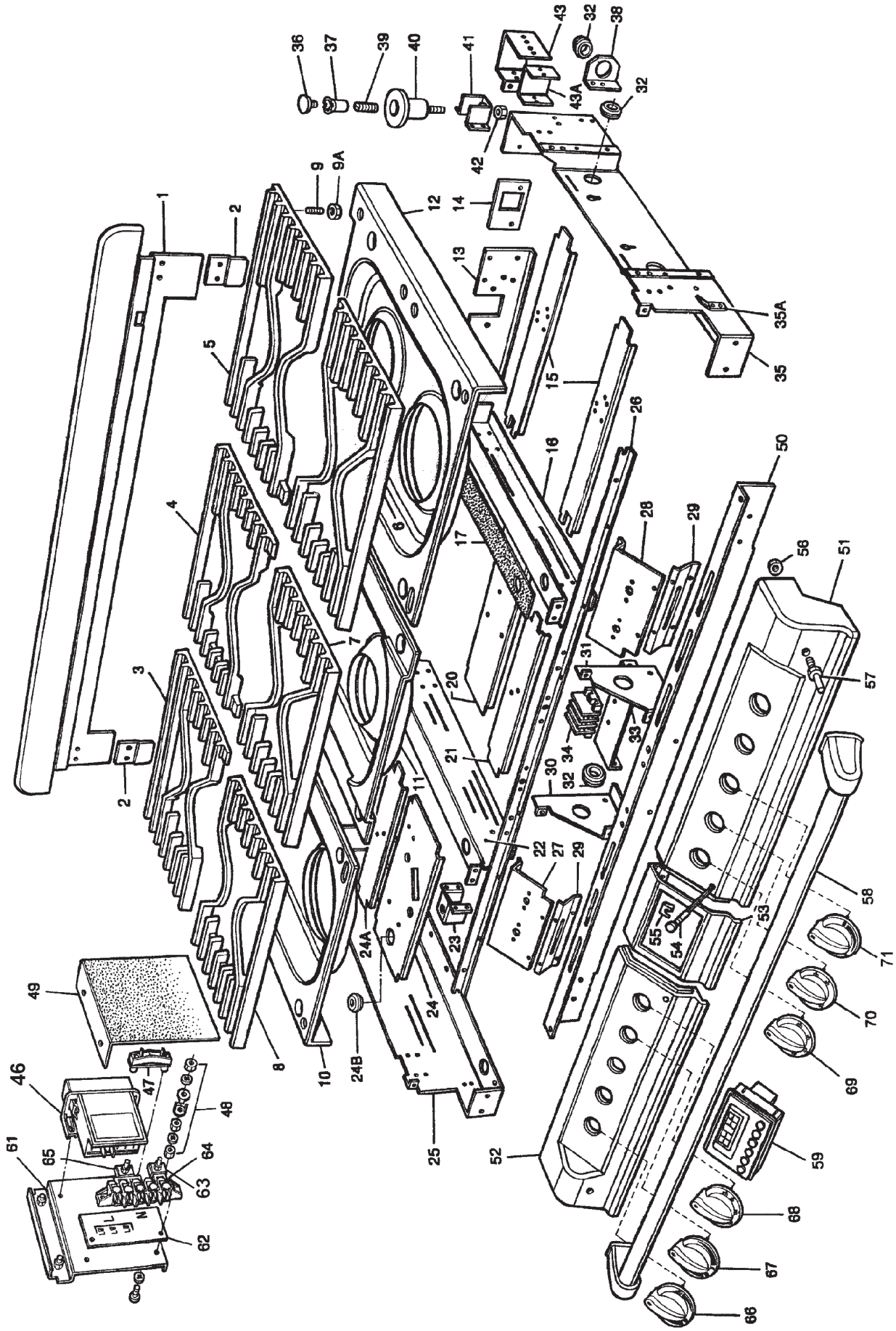
**JANUARY 2011
FROM NP04-019**

ITEM No.	CAT No.	DESCRIPTION	PRODUCT CODE
1	M0006	GRILL REGULATOR	AE4M260258
2	NCA	THERMOSTAT - FAN OVEN 46 THK 24/JS (UP TO M05-180)	AG4T250582
2A	A4507	THERMOSTAT FAN OVEN (FROM M05-180)	AG4T251101
3	NCA	THERMOSTAT - WARMING OVEN (UP TO M05-180)	AG4T250585
3A	A4910	THERMOSTAT WARMING OVEN (FROM M05-180)	AG4T251102
4	NCA	THERMOSTAT - UPPER OVEN (UP TO M05-180)	AG4T250584
4A	A4911	THERMOSTAT UPPER OVEN (FROM M05-180)	AG4T251103
5	A4903	GAS RAIL - LH	AG4M251029
6	A4902	GAS RAIL - RH	AG4M251028
7	A4795	HARNES C/W 6 MICROSWITCHES	AG4M251055
8	NCA	RH INLET TUBE	AG4M251035
9	A3963	GAS RAIL CONNECTION BLOCK	AG4M250487
10	A3964	PRESSURE TEST NIPPLE	AG4M250575
11	R1392	STUD COUPLING 1/4" BSP	RO4M27540
12	A4522	GAS TAP 1.75 kW (NG)	AG4M250900
	A4979	GAS TAP 1.75 kW (LPG)	AG1M251187
13	A4521	GAS TAP 4.5 kW (NG)	AG4M250899
	A4980	GAS TAP 4.0 kW (LPG)	AG1M251186
14	A4799	GAS TAP 5.0 kW (NG)	AG4M251048
	A4981	GAS TAP 5.0 kW (LPG)	AG1M251189
15	A4523	GAS TAP 3.0 kW (NG)	AG4M250901
	A4839	GAS TAP 3.0 kW (LPG)	AG1M251188
16	A5337	3.0 kW GAS TUBE FRONT	AG4M251042
17	A5336	3.0 kW GAS TUBE REAR	AG4M251041
18	NCA	5.0 kW GAS TUBE	AG4M251038
20	NCA	GAS RAIL TUBE (INPUT - LH)	AG4M251034
21	NCA	GAS TUBE FRONT 1.75 kW	AG4M251040
22	NCA	4.5 kW GAS TUBE MAIN	AG4M251037
23	A5051	4.5 kW GAS TUBE INNER	AG4M251036
24	NCA	1.75 kW REAR TUBE	AG4M251039
25	NCA	NUT	NCA
26	NCA	OLIVE	NCA
27	NCA	WOK SPACER	AG2M250858
28	A4757	4.5 kW BASE C/W INJ. (NG)	AG4M251015
29	A4760	INJECTOR NG OUTER (1.0Z) - 4.5 kW	AG4M998973
	A4532	INJECTOR LPG OUTER (0.66) - 4.5 kW	AG4M250945
30	A4761	INJECTOR NG INNER (0.66X) - 4.5 kW	AG4M998974
	A4560	INJECTOR LPG INNER (0.46) - 4.5 kW	AG4M250944
31	A4663	ELECTRODE C/W LEAD 1100mm	AG4M251065
33	A3216	CLIP - IGNITION ELECTRODE	AG4M250031
34	A4526	THERMOCOUPLE C/W JACK	AG4M250941
35	A4660	GASKET BURNER CUP	AG4M251011
36	A4758	BURNER SKIRT 4.5 kW	AG4M250857
37	A4533	FLAME SPREADER - 4.5 kW	AG4M251016
38	A4759	BURNER LID - EXTERNAL	AG4M251017
39	A4563	BURNER LID - INTERNAL	AG4M251018
40	A4525	THERMOCOUPLE - 600mm LG	AG4M250912
43	A4346	1.75 kW SPACER	AG4M250032
44	M0078	BURNER BASE C.W INJECTOR - 0.97 (NG)	AG4M250132
45	A3227	INJECTOR 1.75 No. 97 (NG)	AG4M998433
45	A3228	INJECTOR 1.75 No. 65 (LPG)	AG4M250119
46	A4662	ELECTRODE C/W LEAD 600 LG	AG4M251064
47	A4031	(NOT SHOWN) ELECTRODE C/W LEAD 1000 LG	AG4M250594
48	A3216	ELECTRODE CLIP	AG4M250031
49	A4819	GASKET	AG4M251007
50	A4817	BURNER SKIRT 1.75 kW	AG4M251043

**AGA SIX-FOUR SERIES
HOTPLATE BURNER PARTS**

**JANUARY 2011
FROM NP04-019**

ITEM No.	CAT No.	DESCRIPTION	PRODUCT CODE
51	A3192	BURNER HEAD - 1.75 kW	AG4M250123
52	A3193	BURNER LID - 1.75 kW	AG4M250124
64	A3976	3.0 kW SPACER	AG4M250033
65	M0079	BURNER BASE C/W INJECTOR 1.16 (NG)	AG4M250133
66	A3234	INJECTOR (116) - NG (3.0 kW)	AG4M998434
	A3231	INJECTOR (0.85) - LPG (3.0 kW)	AG4M250120
67	A4820	GASKET	AG4M251008
68	A4520	3.0 kW BURNER SKIRT	AG4M251044
69	A3194	BURNER HEAD (2.5/3.0 kW)	AG4M250125
70	A3195	BURNER LID (3.0 kW)	AG4M250126
71	NCA	SUPPORT FOR ELECTRODE AND THERMOCOUPLE	AG4M251023
72	A4765	THERMOCOUPLE C/W JACK CONN & 600mm LEAD	AG4M251024
73	A4614	ELECTRODE C/W LEAD 700mm LG	AG4M251183
74	A3216	CLIP IGNITION ELECTRODE	AG4M250031
76	A4931	BURNER BASE WITH INJECTOR 1.67 (NG) (5 kW)	AG4M251020
77	A4853	INJECTOR - NG (1.67) (5 kW)	AG4M998975
	A4617	INJECTOR - LPG (1.10) (5 kW)	AG4M251069
78	A4877	BURNER SKIRT (5.0 kW)	AG4M251032
79	A4878	BURNER SUPPORT & FLAME SPREADER (5 kW)	AG4M251022
80		FLAME SPREADER - PART OF ITEM 80	
81	A4798	BURNER LID - GLOSS BLACK (5 kW)	AG4M251021



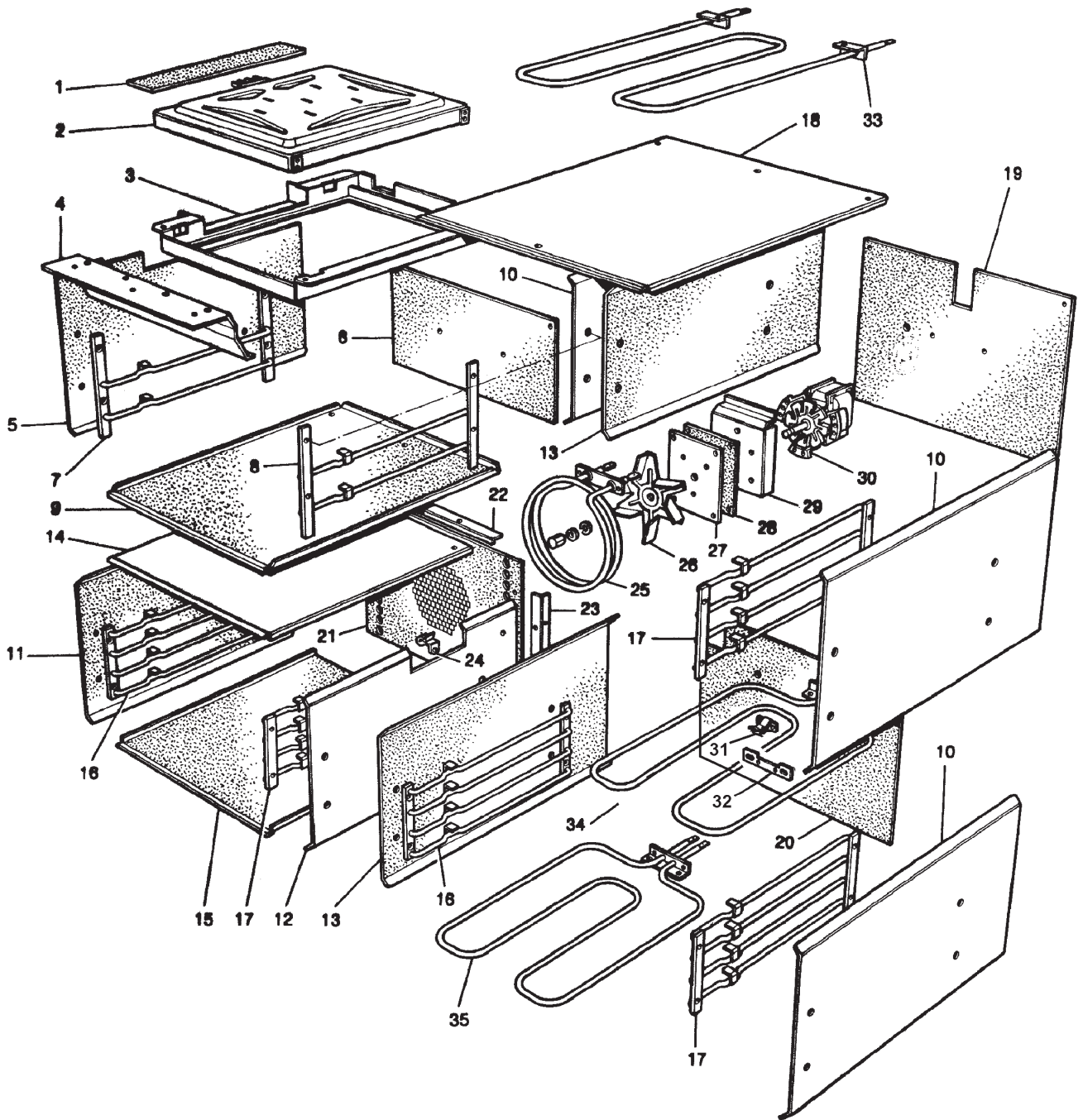
AGA SIX-FOUR SERIES - DC6 (WITH FFD'S) (FROM NP04-019)
 TOP PLATE AND HOTPLATE FRAME

AGA SIX-FOUR SERIES - DC6 (WITH FFD'S) JUNE 2011
TOP PLATE AND HOTPLATE FRAME (FROM NP04-019)

ITEM No.	CAT No.	DESCRIPTION	PRODUCT CODE
1	A3978	SPLASHBACK ASSEMBLY	AG4M250438
2	NCA	LOCATION PLATE - SPLASHBACK	AG2M250525
3	A3979	LH REAR PAN SUPPORT ASSY	AG1M250545
4	A3980	CENTRE REAR PAN SUPPORT ASSY	AG1M250543
5	A3981	RH REAR PAN SUPPORT ASSY	AG1M250547
6	A3982	RH FRONT PAN SUPPORT ASSY	AG1M250546
7	A3983	CENTRE FRONT PAN SUPPORT ASSY	AG1M250542
8	A4739	LH FRONT PAN SUPPORT ASSY	AG1M251002
9	A4027	ADJUSTING PAN SUPPORT FOOT	KGRB500470
9A	A4441	M5 LOCKNUT - BRASS	KNUT500482
10	A4657	LH SPILLAGE WELL	AG5E250986
11	A4783	CENTRE SPILLAGE WELL	AG5E251026
12	A3987	RH SPILLAGE WELL	AG5E250559
13	A5135	BURNER FRAME - REAR ANGLE	AG2M250367
14	NCA	CONNECTION BLOCK SUPPORT	AG2M250255
15	NCA	2.5 kW BURNER SUPPORT	AG2M250463
16	NCA	BURNER SUPPORT - RH	AG2M250337
17	A4058	GASKET SPILLAGE WELL (2-OFF)	JGSG250570
20	NCA	5 kW SUPPORT PLATE	AG2M251031
21	NCA	1.75 kW SUPPORT BRACKET CENTRE	AG2M250413
22	NCA	BURNER SUPPORT - LH	AG2M250338
23	NCA	SPILLAGE WELL FIXING BRACKET	AG2M250426
24	NCA	DUAL WOK BURNER SUPPORT	AG2M250716
24A	NCA	1.75 kW BURNER SUPPORT	AG2M250412
25	A4359	TOP FRAME - LH	AG2M250335
26	A5139	BURNER FRAME FRONT ANGLE	AG2V250366
27	NCA	LH CONTROL PANEL - MOUNTING	AG2M251059
28	NCA	RH CONTROL PANEL - MOUNTING	AG2M251060
29	NCA	CONTROL FIXING BRACKET	AG2M251061
30	A5137	FRONT ANGLE SUPPORT - LH	AG2M250535
31	A5138	FRONT ANGLE SUPPORT - RH	AG2M250536
32	A2757	GROMMET (5-OFF) (RB3461)	AE4M240132
33	NCA	NEON CONNECTION BLOCK - BRACKET	AG2M250540
34	A3988	TERMINAL BLOCK 3-WAY	AE4M260105
35	A5539	TOP FRAME RH ASSEMBLY	AG1M250581
35A	NCA	EARTH TAB	AE2M240154
36	A2119	CORNER STAY BUTTON	AG4M210228
37	A2123	CORNER STAY NUT	AG4M210244
38	A4900	CABLE SUPPORT BRACKET	AG2M251004
39	A4454	JACKING STUD	AG4M250429
40	A4528	SPILLAGE WELL ADJUSTER	AG4M250427
41	A4297	FIXING BRACKET OUTER	AG2M250425
42	R2630	M8 NUT	KNUT53061
43	NCA	SPLASHBACK RH BRACKET	AG2M250517
43A	NCA	SPLASHBACK INNER BRACKET	AG2M250513
44	A4460	TERMINAL MOUNTING PANEL - UP TO NP04-001	AG2M250459
45	M0158	MAINS TERMINAL BLOCK - UP TO NP04-001	AG4M250613
46	A3989	GENERATOR IGNITION (M03-133) (UP TO M10-094)	AG4M250526
	A5721	SPARK GENERATOR ANSTOSS (IGM60) FROM M10-094	AG4M251348
47	R2190	CABLE CLAMP	RG4M26192
48	NCA	EARTH POST ASSEMBLY	NCA
49	A5258	TERMINAL BLOCK COVER	AG4M250460
50	A4362	FACIA SUPPORT BRACKET	AG2M250424
51	A3990	RH FACIA - NG	AG5V250691
51A	A3991	RH FACIA - LPG	AG5V250693
52	A3992	LH FACIA	AG5V250475

AGA SIX-FOUR SERIES - DC6 (WITH FFD'S) JANUARY 2011
TOP PLATE AND HOTPLATE FRAME (FROM NP04-019)

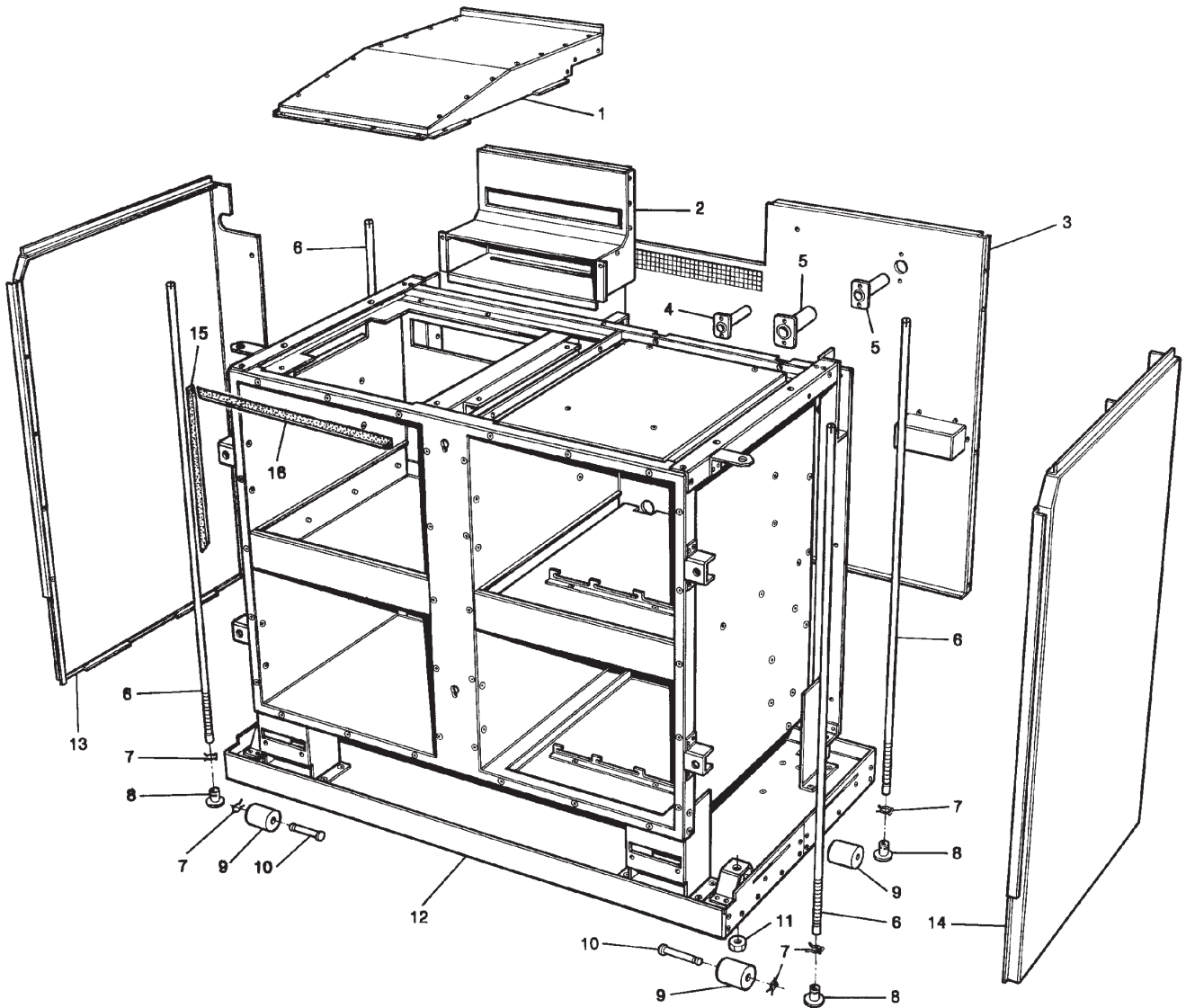
ITEM No.	CAT No.	DESCRIPTION	PRODUCT CODE
53	A3993	TIMER PANEL	AG4M250410
53A	A5674	TIME PANEL ASSY (INCLS ITEMS 53 & 59) - NO LONGER AVAILABLE	AG4M250597
	A4603	TIMER & PANEL ASSY	AG1M250597
54	M0032	NEON (INCLUDES ITEM 55)	AE4M260211
55	NCA	CLIP	NCA
56	NCA	M8 NUT	NCA
57	A4554	HANDRAIL BRACKET FASTENER	AG4M250533
58	A3940	HANDRAIL ASSY (INCLS ITEMS 56 & 57)	AG4M250376
59	M0012	TIMER	AE1M260148
61	NCA	TERMINAL MOUNTING PLATE	AG2M250948
62	NCA	TERMINAL LABEL	EGLL250979
63	NCA	TERMINAL BLOCK ADAPTOR - 2 PRONG	AG4M250975
64	A5482	MAINS TERMINAL BLOCK	AG4M250973
65	NCA	TERMINAL BLOCK ADAPTOR - 3 PRONG	AG4M250974
66	A4514	KNOB 4.5 kW BURNER	AG4M250891
67	A4515	KNOB - GRILL	AG4M250890
68	A4959	KNOB - FAN OVEN	AG4M251146
69	A4908	KNOB - TOP OVEN	AG4M251144
70	A4978	KNOB - SLOW COOK OVEN	AG4M251136
71	A4516	KNOB - HOB BURNERS	AG4M250893



AGA SIX-FOUR SERIES - DC6 (WITH FFD'S)
TOP, BOTTOM, FAN AND GRILL ASSEMBLIES

AGA SIX-FOUR SERIES - DC6 (WITH FFD'S) JANUARY 2011
TOP, BOTTOM, FAN AND GRILL ASSEMBLIES

ITEM No.	CAT No.	DESCRIPTION	PRODUCT CODE
1	NCA	GRILL SIDE DUCT INSERT	JPAD250493
2	M0033	GRILL ASSEMBLY -ELECTRIC (UP TO M09-046)	AE4M260103
2A	M0488	GRILL ASSY RETRO-KIT PRE M09-046	AE9M997830
3	A5230	SUPPORT ASSEMBLY - GRILL ELEMENT	AG1M250340
4	NCA	GRILL HEAT DEFLECTOR	AG4M250385
5	A3995	GRILL LINER - LH	AG4M250451
6	A3996	GRILL BACK LINER	AG4M250449
7	A3997	GRILL SUPPORT RAIL - LH	AG4M250514
8	A3998	GRILL SUPPORT RAIL -RH	AG4M250515
9	A3999	BOTTOM OVEN LINER	AG4M250600
9A	A4176	TOP OVEN BOTTOM LINERS	AG4M250812
10	A4000	OVEN LINER - RH	AG4M250452
11	A4001	FAN OVEN LINER - LH	AG4M250453
12	A4002	FAN OVEN LINER - RH	AG4M250454
13	A4003	OVEN LINER - LH	AG4M250456
14	A4004	FAN OVEN TOP LINER (SELF CLEAN)	AG4M250455SCE
15	A4005	FAN OVEN BOTTOM LINER (BLK V.E.)	AG4M250455BVE
16	A4006	OVEN RAILS - LH - UP TO M05-151	AG4M250527
16A	A5254	OVEN RAIL LH - FROM M05-151	AG4M251228
17	A4007	OVEN RAILS -RH - UP TO M05-151	AG4M250528
17A	A5253	OVEN RAIL LH - FROM M05-151	AG4M251227
18	A4008	OVEN TOP LINER	AG4M250308
19	A4009	TOP OVEN BACK LINER	AG4M250458
20	A4010	BOTTOM OVEN REAR LINER	AG4M250466
21	A4011	FAN OVEN BAFFLE PLATE	AE4M240178
22	A4012	SEALING BRACKET	AG2M250598
23	NCA	FIXING BRACKET	AG2M250599
24	A3087	PHIAL CLIP	AE4M240058
25	A4264	OVEN ELEMENT FAN	AG4M250397
26	NCA	IMPELLOR (UP TO M07-142)	NCA
26A	A5332	IMPELLOR 120MM (FROM M07-142)	AG4M251303
27	A5058	PLATE - FAN	AE4M240017
28	A3093	GASKET	JGSG240142
29	A3094	FAN SHIELD	AE2M240119
30	A3095	FAN & IMPELLOR ASSY (INCLS 26) (UP TO M07-142)	AE4M240093
30A	NCA	FAN OVEN (FROM M07-142)	AE4M260908
30B	M0424	CIRCULATION FAN ASSY (PRE M07-142)	AE9M997604
31	A4287	PHIAL CLIP	AE4M260292
32	M0336	PHIAL CLIP STRAP	AE2M260335
33	A4013	TOP OVEN TOP ELEMENT	AG4M250398
34	A4014	TOP OVEN BASE ELEMENT (UP TO M06-193)	AG4M250508
34A	A5050	TOP OVEN BASE ELEMENT (FROM M06-193)	AG4M251282
35	A4015	WARMING OVEN ELEMENT	AG4M250390



AGA SIX-FOUR SERIES - DC6 (WITH FFD'S)
 CHASSIS FRAME ASSEMBLY

AGA SIX-FOUR SERIES - DC6 (WITH FFD'S) JANUARY 2011
CHASSIS FRAME ASSEMBLY

ITEM No.	CAT No.	DESCRIPTION	PRODUCT CODE
1	NCA	GRILL TOP DUCT ASSY	AG1M250348
2	NCA	REAR GRILL HEAT DUCT ASSY	AG1M250358
3	A4448	BACK PANEL	AG2M250479
4	A3100	VENT PIPE	AE4M240090
5	A5570	VENT PIPE - LARGE	AG4M250534
6	A4497	ADJUSTING RODS COOKER SUPPORT	AG4M250485
7	A4430	CIRCLIP ROLLER ASSY	KCLP250580
8	A4429	FOOT COOKER SUPPORT	AG4M250484
9	A5159	ROLLER - WHEEL ASSY	AG4M250471
10	A5160	ROLLER WHEEL SPINDLE	AG4M250472
11	A5354	NUT M16	KNUT500417
12	A4620	PLINTH ASSY	AG1M250329
13	A4016	LH SIDE PLATE ASSY	AG2V250696
14	A4017	RH SIDE PLATE ASSY	AG2V250697
15	NCA	FRONT PLATE SEAL - VERTICAL	AG4M250562
16	NCA	FRONT PLATE SEAL - HORIZONTAL	AG4M250561