

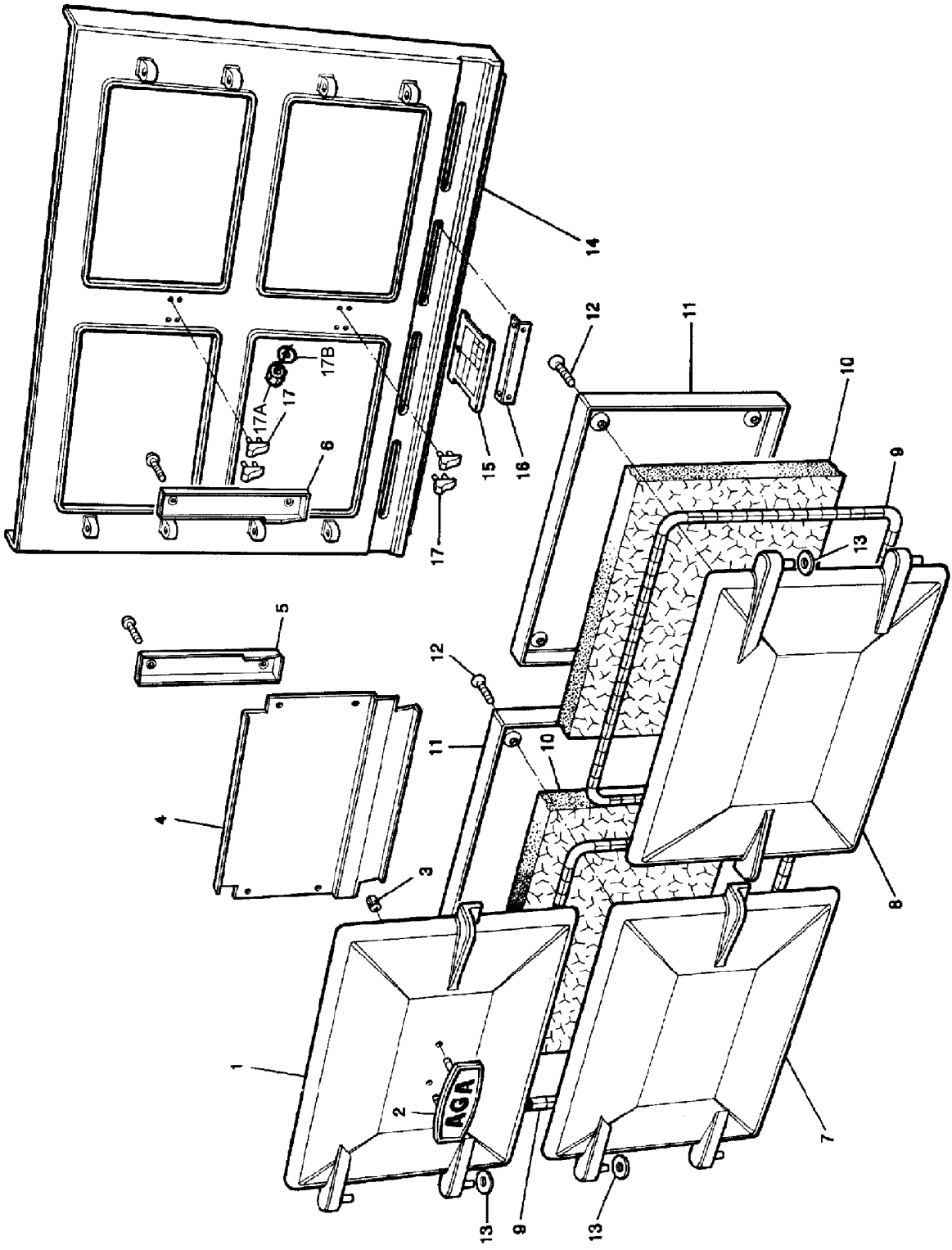
**AGA SIX-FOUR  
SERIES - DC6  
(WITH FFD'S)  
USA**

***SPARE PARTS  
MANUAL***

**AGA SIX-FOUR SERIES - DC6 (WITH FFD'S) USA  
FRONT PLATE AND DOORS**

**OCTOBER 2007**

<b>ITEM No.</b>	<b>CAT No.</b>	<b>DESCRIPTION</b>	<b>PRODUCT CODE</b>
1	A4069	GRILL DOOR COMP	AG9M998742
2	A2274	AGA BADGE	AG4M210184
3	A1567	BADGE CLIP	A09M38850PR
4	A4365	GRILL DOOR LINER	AG4M250574
5	A3952	GRILL DOOR LINER - LH	AG4M250573
6	A3953	GRILL DOOR LINER - RH	AG4M250583
7	A4068	FAN OVEN DOOR ASSY COMP	AE9M240204
8	A4070	RH DOOR ASSY COMP	AG9M998743
9	A3954	DOOR SEAL T/SEAL ROPE 4 x 1185 LG	AE1M230400
10		ROCKWOOL	MRWF35400
11	A3022	DOOR LINING PANEL - UP TO M06-179	AG4M250923
11A		DOOR LINING PANEL - FROM M06-179	AG4M240436
12		SCREW M6 x 20 LG	KCSK500359
13		WASHER	KWSR53500
14	A3955	FRONT PLATE	AG5E250477
14A	A4026	FRONT PLATE C/W DOORS	AG9M998740
15		SLIDING PLATE - DATA PLAQUE	AE2V240148
16		SLIDING PLATE MOUNTING BRACKET - UP TO M04-090	AE2V240147
16A	A3057	SLIDING PLATE C/W BRACKET - FROM M04-090	RG9V301145
17	A3956	DOOR CATCH	AG4M250478
17A		DOOR CATCH GASKET	JGSG211270
17B		M5 LOCKING NUT	KNUT500485

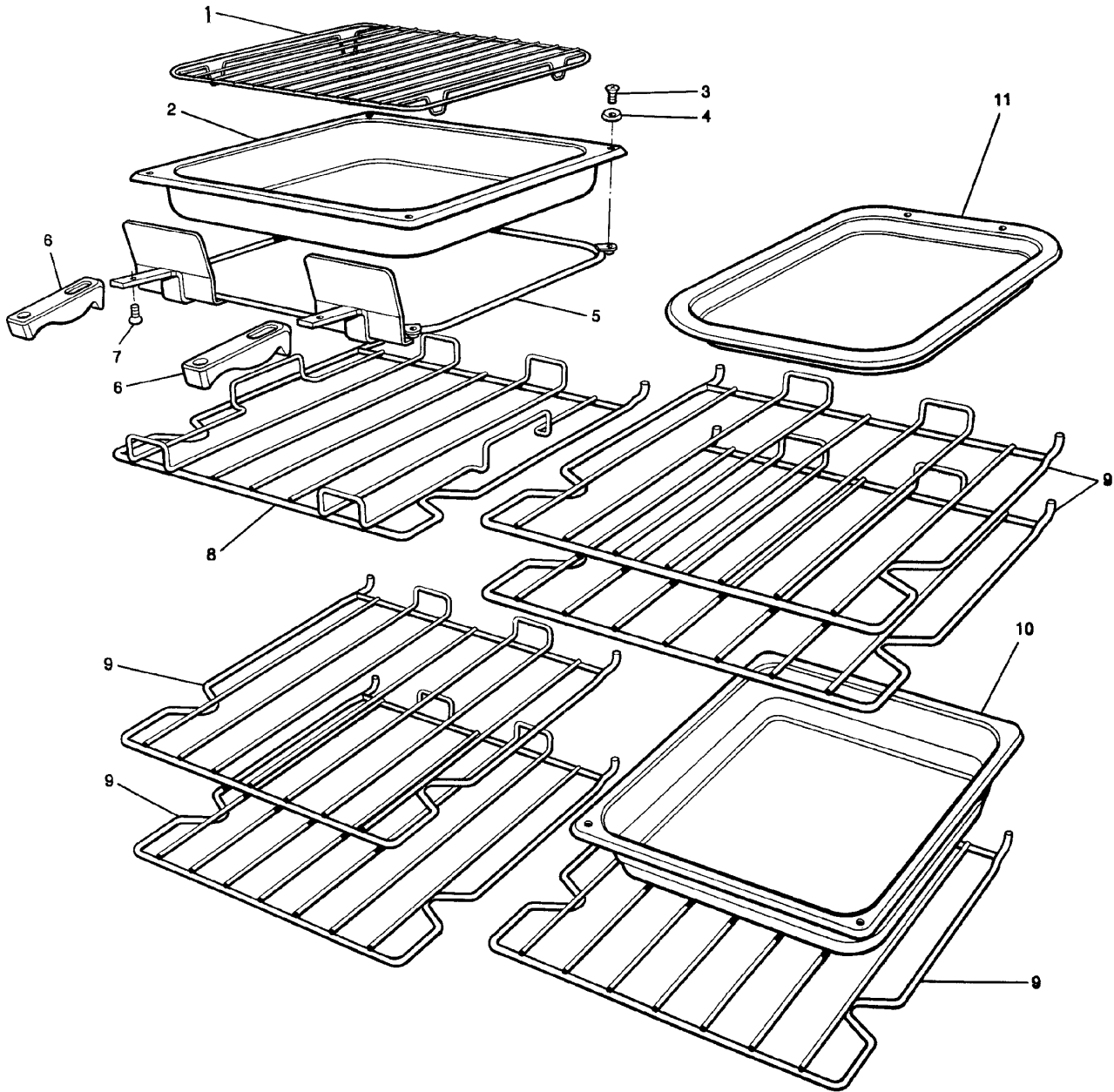


AGA SIX-FOUR SERIES - DC6 (WITH FFD'S) USA  
FRONT PLATE AND DOORS

**AGA SIX-FOUR SERIES - DC6 (WITH FFD'S) USA  
ACCESSORIES/FURNITURE**

**OCTOBER 2007**

ITEM No.	CAT No.	DESCRIPTION	PRODUCT CODE
1		GRILL PAN ASSY	AG1M250529
1	M0081	GRILL - TRIVET	AE4M260250
2	M0082	GRILL PAN	AE4M260337
3	A4120	SCREW M5 x 10mm	KCSK500408
4		M5 SCREW CAP	KWSR500415
5	A4173	SUPPORT FRAME	AG4M250480
6	M0084	HANDLE	AE4M260114
7	M0117	SCREW M5 x 16 (NYLON)	KCSK500483
8	A3957	GRILL SHELF	AG4M250516
9	A2973	GRID SHELF OVEN	AE4M240065
10	A3958	MEAT/ROASTING TIN	AG4M250432
11	A3959	BAKING TRAY	AG4M250579

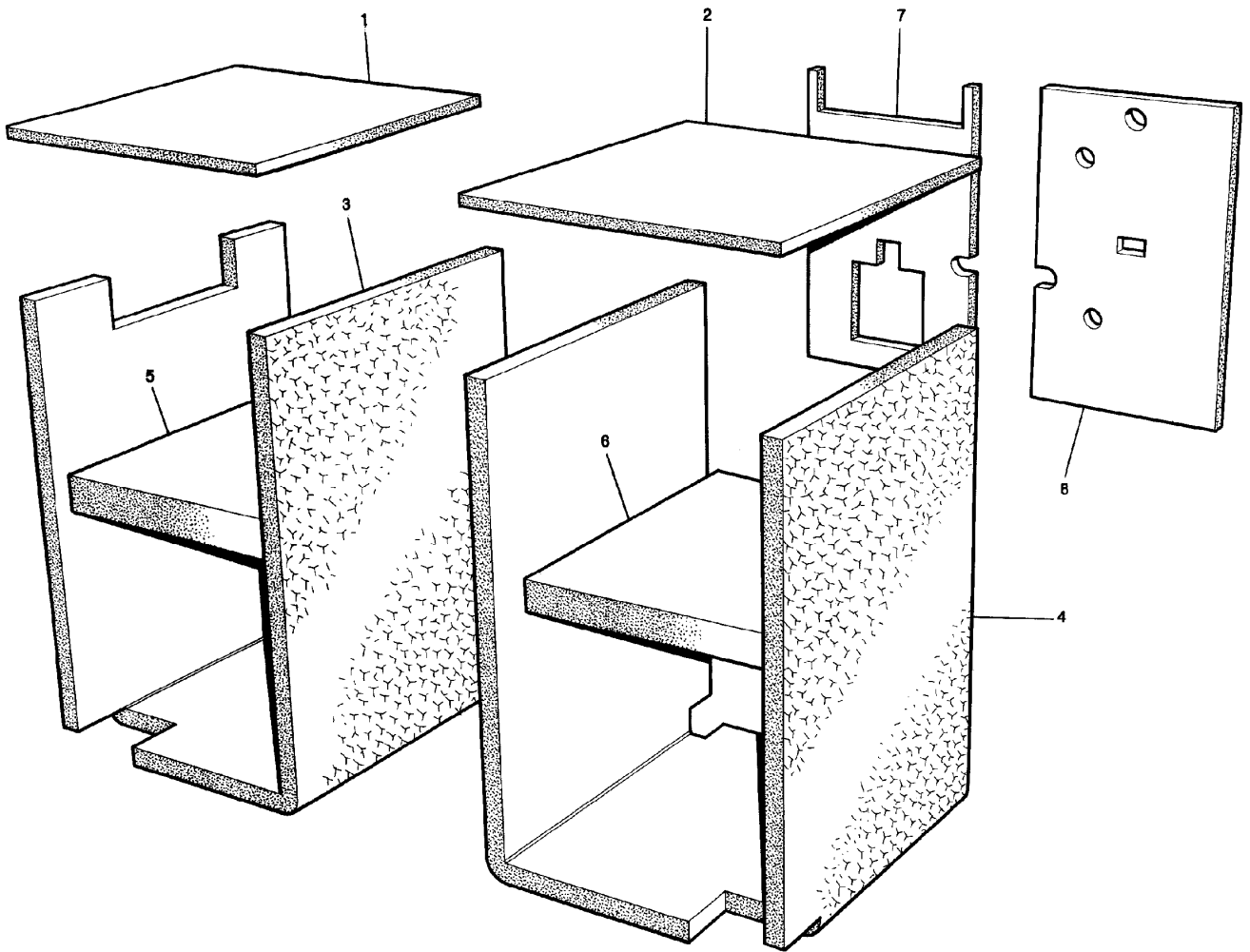


AGA SIX-FOUR SERIES - DC6 (WITH FFD'S) USA  
 ACCESSORIES/FURNITURE

**AGA SIX-FOUR SERIES - DC6 (WITH FFD'S) USA  
INSULATION**

**OCTOBER 2007**

ITEM No.	CAT No.	DESCRIPTION	PRODUCT CODE
1	A4107	OVEN INSULATION - LH TOP	JPAD250611
2	A4108	OVEN INSULATION - RH TOP	JPAD250496
3		OVEN INSULATION - LH WRAP	JPAD250494
4		OVEN INSULATION - RH WRAP	JPAD250495
5		OVEN INSULATION - INSERT	JPAD250512
6		OVEN INSULATION - INSERT (RH)	JPAD250596
7		OVEN INSULATION - BACK (LH)	JPAD250498
8		OVEN INSULATION - BACK (RH)	JPAD250499



AGA SIX-FOUR SERIES - DC6 (WITH FFD'S) USA  
INSULATION

**AGA SIX-FOUR SERIES - DC6 (WITH FFD'S) USA  
HOTPLATE BURNER PARTS FROM NP04-019**

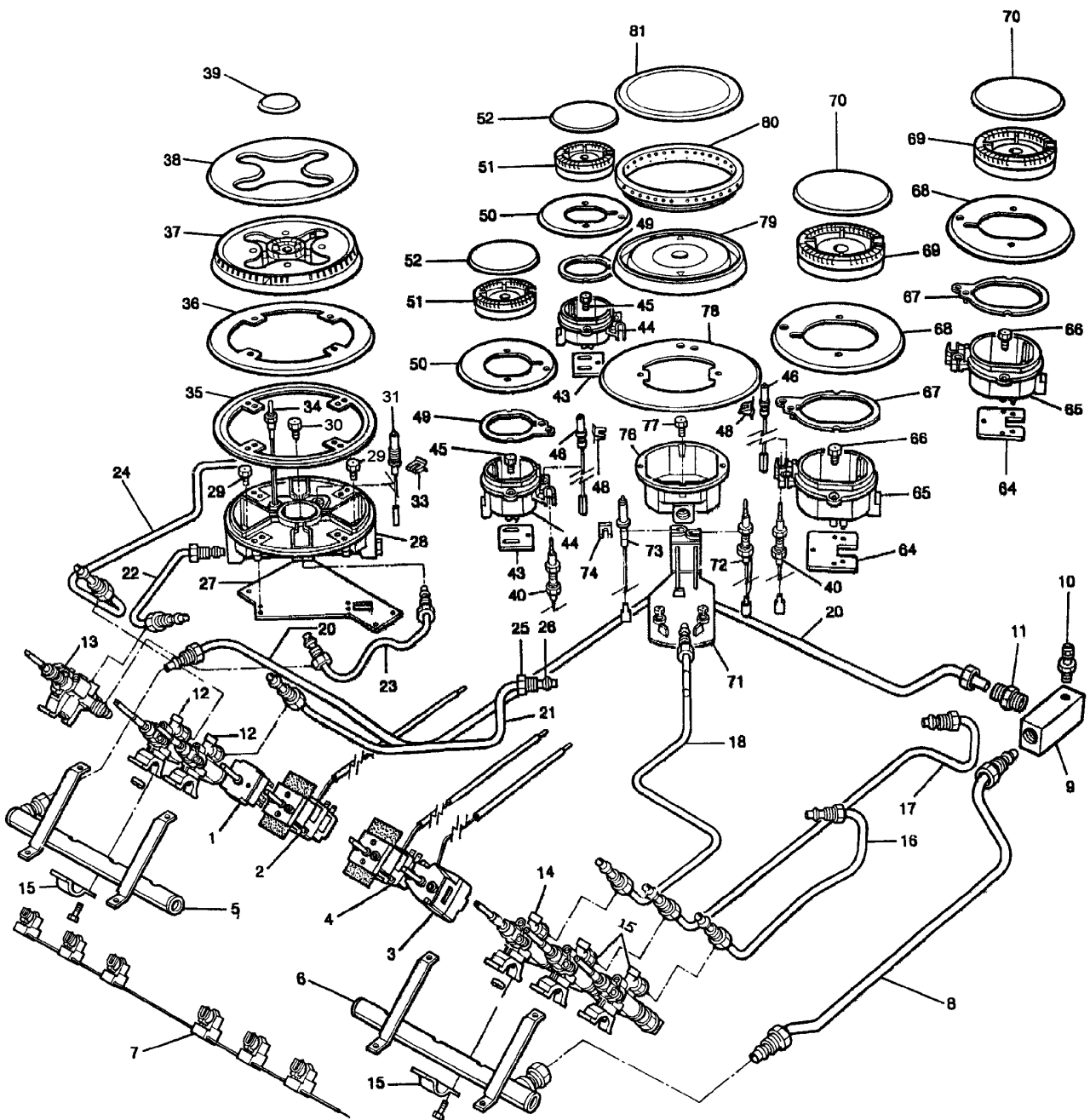
**OCTOBER 2007**

ITEM No.	CAT No.	DESCRIPTION	PRODUCT CODE
1	M0006	GRILL REGULATOR	AG4M260258
2	A3960	THERMOSTAT - FAN OVEN 46 THK 24/JS (UP TO M05-180)	AG4T250582
2A		THERMOSTAT FAN OVEN (FROM M05-180)	AG4T251101
3	A3961	THERMOSTAT - WARMING OVEN (UP TO M05-180)	AG4T250585
3A		THERMOSTAT WARMING OVEN (FROM M05-180)	AG4T251102
4	A3962	THERMOSTAT - UPPER OVEN (UP TO M05-180)	AG4T250584
4A		THERMOSTAT UPPER OVEN (FROM M05-180)	AG4T251103
5		GAS RAIL - LH	AG4M251029
6		GAS RAIL - RH	AG4M251028
7		HARNES C/W 6 MICROSWITCHES	AG4M251294
8	A3963	RH INLET TUBE	AG4M251035
9	A3964	GAS RAIL CONNECTION BLOCK	AG4M250487
10		PRESSURE TEST NIPPLE	AG4M250575
11		STUD COUPLING 1/4" BSP	AG4M250080
12		GAS TAP 1.75 kW (NG)	AG4M250900
		GAS TAP 1.75 kW (LPG)	AG1M251187
13		GAS TAP 4.5 kW (NG)	AG4M250899
		GAS TAP 4.0 kW (LPG)	AG1M251186
14		GAS TAP 5.0 kW (NG)	AG4M251048
		GAS TAP 5.0 kW (LPG)	AG4M251189
15		GAS TAP 3.0 kW (NG)	AG4M250901
		GAS TAP 3.0 kW (LPG)	AG4M251188
16		3.0 kW GAS TUBE FRONT	AG4M251042
17		3.0 kW GAS TUBE REAR	AG4M251041
18		5.0 kW GAS TUBE	AG4M251038
20		GAS RAIL TUBE (INPUT - LH)	AG4M251034
21		GAS TUBE FRONT 1.75 kW	AG4M251040
22		4.5 kW GAS TUBE MAIN	AG4M251037
23		4.5 kW GAS TUBE INNER	AG4M251036
24		1.75 kW REAR TUBE	AG4M251039
25		NUT	
26		OLIVE	
27		WOK SPACER	AG2M250858
28		4.5 kW BASE C/W INJ. (NG)	AG4M251015
29		INJECTOR NG OUTER (1.3)	AG4M251288
		INJECTOR LPG OUTER (0.66)	AG4M250945
30		INJECTOR NG INNER (0.8H1)	AG4M251287
		INJECTOR LPG INNER (0.46)	AG4M250944
31		ELECTRODE C/W LEAD	AG4M251065
33		CLIP - IGNITION ELECTRODE	AG4M250031
34		THERMOCOUPLE C/W JACK	AG4M250941
35		GASKET BURNER CUP	AG4M251011
36		BURNER SKIRT 4.5 kW	AG4M250857
37		FLAME SPREADER	AG4M251016
38		BURNER LID - EXTERNAL	AG4M251017
39		BURNER LID - INTERNAL	AG4M251018
40		THERMOCOUPLE - 600mm LG	AG4M250912
43		1.75 kW SPACER	AG4M250032
44		BURNER BASE C.W INJECTOR - 0.97 (NG)	AG4M250132
45		INJECTOR 1.18 (NG)	AG4M250188
45		INJECTOR 1.75 No. 65 (LPG)	AG4M250119
46		ELECTRODE C/W LEAD 600 LG	AG4M251064
47		(NOT SHOWN) ELECTRODE C/W LEAD 800 LG	AG4M250594
48		ELECTRODE CLIP	AG4M250031
49		GASKET	AG4M251007
50	A4817	BURNER SKIRT 1.75 kW	AG4M251043



**AGA SIX-FOUR SERIES - DC6 (WITH FFD'S) USA      OCTOBER 2007**  
**HOTPLATE BURNER PARTS      FROM NP04-019**

ITEM No.	CAT No.	DESCRIPTION	PRODUCT CODE
51	A3192	BURNER HEAD	AG4M250123
52		BURNER LID	AG4M250124
64	A3976	3.0 kW SPACER	AG4M250033
65		BURNER BASE C/W INJECTOR 1.16 (NG)	AG4M250133
66		INJECTOR (1.55) - NG	AG4M250189
		INJECTOR (0.85) - LPG	AG4M250120
67		GASKET	AG4M251008
68	A4520	3.0 kW BURNER SKIRT	AG4M251044
69		BURNER HEAD	AG4M250125
70		BURNER LID	AG4M250126
71		SUPPORT FOR ELECTRODE AND THERMOCOUPLE	AG4M251023
72		THERMOCOUPLE C/W JACK CONN & 600mm LEAD	AG4M251024
73		ELECTRODE C/W LEAD 700mm LG	AG4M251183
74		CLIP IGNITION ELECTRODE	AG4M250031
76		BURNER BASE WITH INJECTOR 1.67 (NG)	AG4M251020
77		INJECTOR - NG (2.0)	AG4M251289
		INJECTOR - LPG (1.10)	AG4M251069
78	A4877	BURNER SKIRT (5.0 kW)	AG4M251032
79		BURNER SUPPORT & FLAME SPREADER	AG4M251022
80		FLAME SPREADER - PART OF ITEM 80	
81		BURNER LID - GLOSS BLACK	AG4M251021



AGA SIX-FOUR SERIES - DC6 (WITH FFD'S ) USA  
 (FROM NP04-019) HOTPLATE AND BURNER PARTS

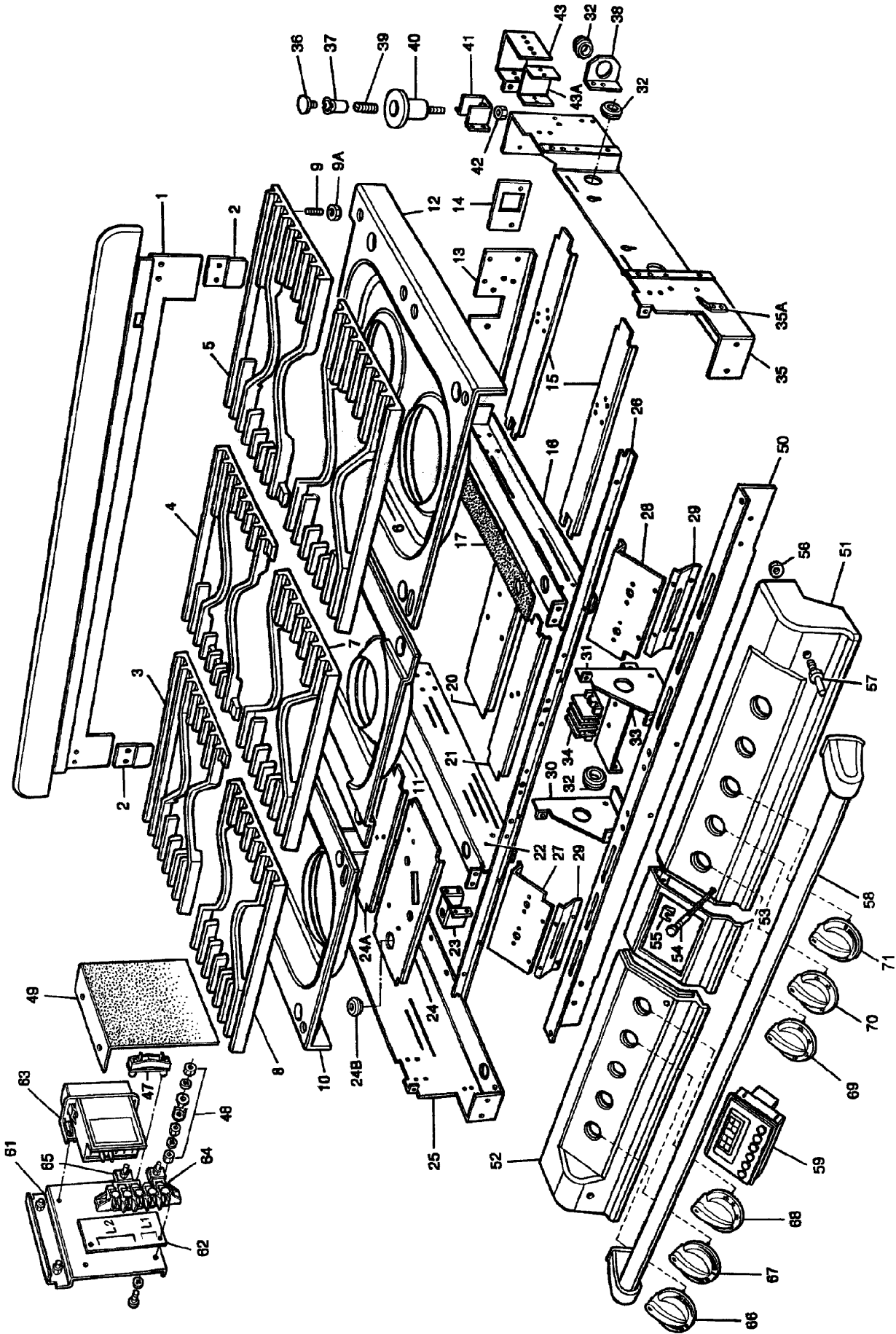
**AGA SIX-FOUR SERIES - DC6 (WITH FFD'S) USA  
TOP PLATE AND HOTPLATE FRAME (FROM NP04-019)**

**OCTOBER 2007**

<b>ITEM No.</b>	<b>CAT No.</b>	<b>DESCRIPTION</b>	<b>PRODUCT CODE</b>
1	A3978	SPLASHBACK ASSEMBLY	AG4M250438
2	A4382	LOCATION TONGUE - SPLASHBACK	AG2M250525
3	A3979	LH REAR PAN SUPPORT	AG1M250545
4	A3980	CENTRE REAR PAN SUPPORT	AG1M250543
5	A3981	RH REAR PAN SUPPORT	AG1M250547
6	A3982	RH FRONT PAN SUPPORT	AG1M250546
7	A3983	CENTRE FRONT PAN SUPPORT	AG1M250542
8	A4739	LH FRONT PAN SUPPORT	AG1M251002
9	A4027	ADJUSTING PAN SUPPORT FOOT	KGRB500470
9A		LOCKNUT - BRASS	KNUT500482
10		LH SPILLAGE WELL	AG5E250986
11		CENTRE SPILLAGE WELL	AG5E251026
12	A3987	RH SPILLAGE WELL	AG5E250559
13		BURNER FRAME - REAR ANGLE	AG2M250367
14		CONNECTION BLOCK SUPPORT	AG2M250255
15		2.5 kW BURNER SUPPORT	AG2M250463
16		BURNER SUPPORT - RH	AG2M250337
17		GASKET SPILLAGE WELL (2-OFF)	JGSG250570
20		5 kW SUPPORT PLATE	AG2M251031
21		1.75 kW SUPPORT BRACKET CENTRE	AG2M250413
22		BURNER SUPPORT - LH	AG2M250338
23		SPILLAGE WELL FIXING BRACKET	AG2M250426
24		DUAL WOK BURNER SUPPORT	AG2M250716
24A		1.75 kW BURNER SUPPORT	AG2M250412
25	A4359	TOP FRAME - LH	AG2M250335
26		BURNER FRAME FRONT ANGLE	AG2V250366
27		LH CONTROL PANEL - MOUNTING	AG2M251059
28		RH CONTROL PANEL - MOUNTING	AG2M251060
29		CONTROL FIXING BRACKET	AG2M251061
30		FRONT ANGLE SUPPORT - LH	AG2M250535
31		FRONT ANGLE SUPPORT - RH	AG2M250536
32	A2757	GROMMET (5-OFF)	AE4M240132
33		NEON CONNECTION BLOCK - BRACKET	AG2M250540
34	A3988	TERMINAL BLOCK 3-WAY	AE4M260105
35		TOP FRAME RH ASSEMBLY	AG1M250581
35A		EARTH TAB	AE2M240154
36	A2119	CORNER STAY BUTTON	AG4M210228
37	A2117	CORNER STAY NUT	AG4M210227
38		CABLE SUPPORT BRACKET	AG2M251004
39	A4454	JACKING STUD	AG4M250429
40		SPILLAGE WELL ADJUSTER	AG4M250427
41	A4297	FIXING BRACKET OUTER	AG2M250425
42		M8 NUT	
43		SPLASHBACK OUTER BRACKET	AG2M250517
43A		SPLASHBACK INNER BRACKET	AG2M250513
44		TERMINAL MOUNTING PANEL - UP TO NP04-001	AG2M250459
45	M0158	MAINS TERMINAL BLOCK - UP TO NP04-001	AG4M250613
46	A3989	GENERATOR IGNITION (M03-133)	AG4M250526
47	R2190	CABLE CLAMP	RG4M26192
48		EARTH POST ASSEMBLY	
49		TERMINAL BLOCK COVER	AG4M250460
50	A4362	FACIA SUPPORT BRACKET	AG2M250424
51	A3990	RH FACIA - NG	AG5V250691
51A	A3991	RH FACIA - LPG	AG5V250693
52	A3992	LH FACIA	AG5V250475

**AGA SIX-FOUR SERIES - DC6 (WITH FFD'S) USA      OCTOBER 2007  
TOP PLATE AND HOTPLATE FRAME (FROM NP04-019)**

<b>ITEM No.</b>	<b>CAT No.</b>	<b>DESCRIPTION</b>	<b>PRODUCT CODE</b>
53	A3993	TIMER PANEL	AG4M250410
53A		TIME PANEL ASSY (INCLS ITEMS 53 & 59)	AG4M250597
54	M0032	NEON (INCLUDES ITEM 55)	AE4M260211
55		CLIP	
56		M8 NUT	
57		HANDRAIL BRACKET FASTENER	AG4M250533
58	A3940	HANDRAIL ASSY (INCLS ITEMS 56 & 57)	AG4M250376
59	R4993	TIMER	RG4M341496
61		TERMINAL MOUNTING PLATE	AG2M251264
62		TERMINAL LABEL	EGLL251285
63		TERMINAL BLOCK ADAPTOR - 2 PRONG	AG4M250975
64		MAINS TERMINAL BLOCK	AG4M250973
65		TERMINAL BLOCK ADAPTOR - 3 PRONG	AG4M250974
66		KNOB 4.5 kW BURNER	AG4M250891
67		KNOB - GRILL	AG4M250890
68		KNOB - FAN OVEN	AG4M251284
69		KNOB - TOP OVEN	AG4M251284
70		KNOB - SLOW COOK OVEN	AG4M251286
71		KNOB - HOB BURNERS	AG4M250893

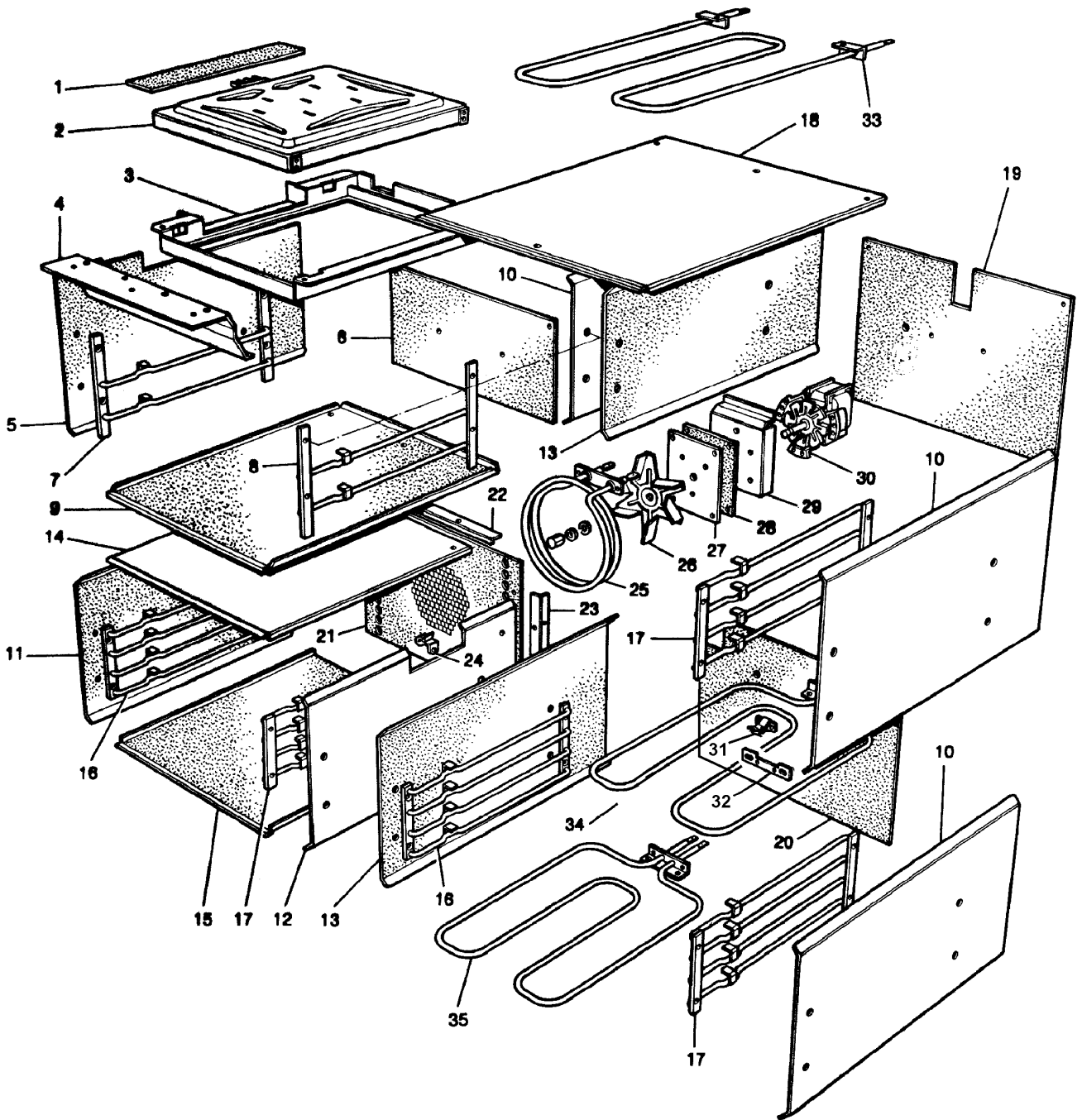


AGA SIX-FOUR SERIES - DC6 (WITH FFD'S) USA (FROM NP04-019)  
 TOP PLATE AND HOTPLATE FRAME

**AGA SIX-FOUR SERIES - DC6 (WITH FFD'S) USA  
TOP, BOTTOM, FAN AND GRILL ASSEMBLIES**

**OCTOBER 2007**

<b>ITEM No.</b>	<b>CAT No.</b>	<b>DESCRIPTION</b>	<b>PRODUCT CODE</b>
1		GRILL SIDE DUCT INSERT	JPAD250493
2	M0033	GRILL ASSEMBLY -ELECTRIC	AE4M260103
3		SUPPORT ASSEMBLY - GRILL ELEMENT	AG1M250340
4		GRILL HEAT DEFLECTOR	AG4M250385
5	A3995	GRILL LINER - LH	AG4M250451
6	A3996	GRILL BACK LINER	AG4M250449
7	A3997	GRILL SUPPORT RAIL - LH	AG4M250514
8	A3998	GRILL SUPPORT RAIL -RH	AG4M250515
9	A3999	BOTTOM OVEN LINER	AG4M250600
9A	A4176	TOP OVEN BOTTOM LINERS	AG4M250812
10	A4000	OVEN LINER - RH	AG4M250452
11	A4001	FAN OVEN LINER - LH	AG4M250453
12	A4002	FAN OVEN LINER - RH	AG4M250454
13	A4003	OVEN LINER - LH	AG4M250456
14	A4004	FAN OVEN TOP LINER	AG4M250455SCE
15	A4005	FAN OVEN BOTTOM LINER	AG4M250455BVE
16	A4006	OVEN RAILS - LH	AG4M250527
17	A4007	OVEN RAILS -RH	AG4M250528
18	A4008	OVEN TOP LINER	AG4M250308
19	A4009	TOP OVEN BACK LINER	AG4M250458
20	A4010	BOTTOM OVEN REAR LINER	AG4M250466
21	A4011	FAN OVEN BAFFLE PLATE	AE4M240178
22	A4012	FIXING BRACKET	AG2M250598
23		FIXING BRACKET	AG2M250599
24	A3087	PHIAL CLIP	AE4M240058
25	A4264	OVEN ELEMENT FAN	AG4M250397
26		IMPELLOR (UP TO M07-142)	AE4M240156
26A		IMPELLOR 120MM (FROM M07-142)	AG4M251303
27		PLATE - FAN	AE4M240017
28		GASKET	JGSG240142
29	A3094	FAN SHIELD	AE2M240119
30	A3095	FAN & IMPELLOR ASSY (INCLS 26) (UP TO M07-142)	AE4M240093
30A		FAN OVEN (FROM M07-142)	AG4M260908
30B		CIRCULATION FAN ASSY (PRE M07-142)	AE9M997604
31	A4287	PHIAL CLIP	AE4M260292
32		PHIAL CLIP STRAP	AE2M260335
33	A4013	TOP OVEN TOP ELEMENT	AG4M250398
34	A4014	TOP OVEN BASE ELEMENT	AG4M250508
35	A4015	WARMING OVEN ELEMENT	AG4M250390



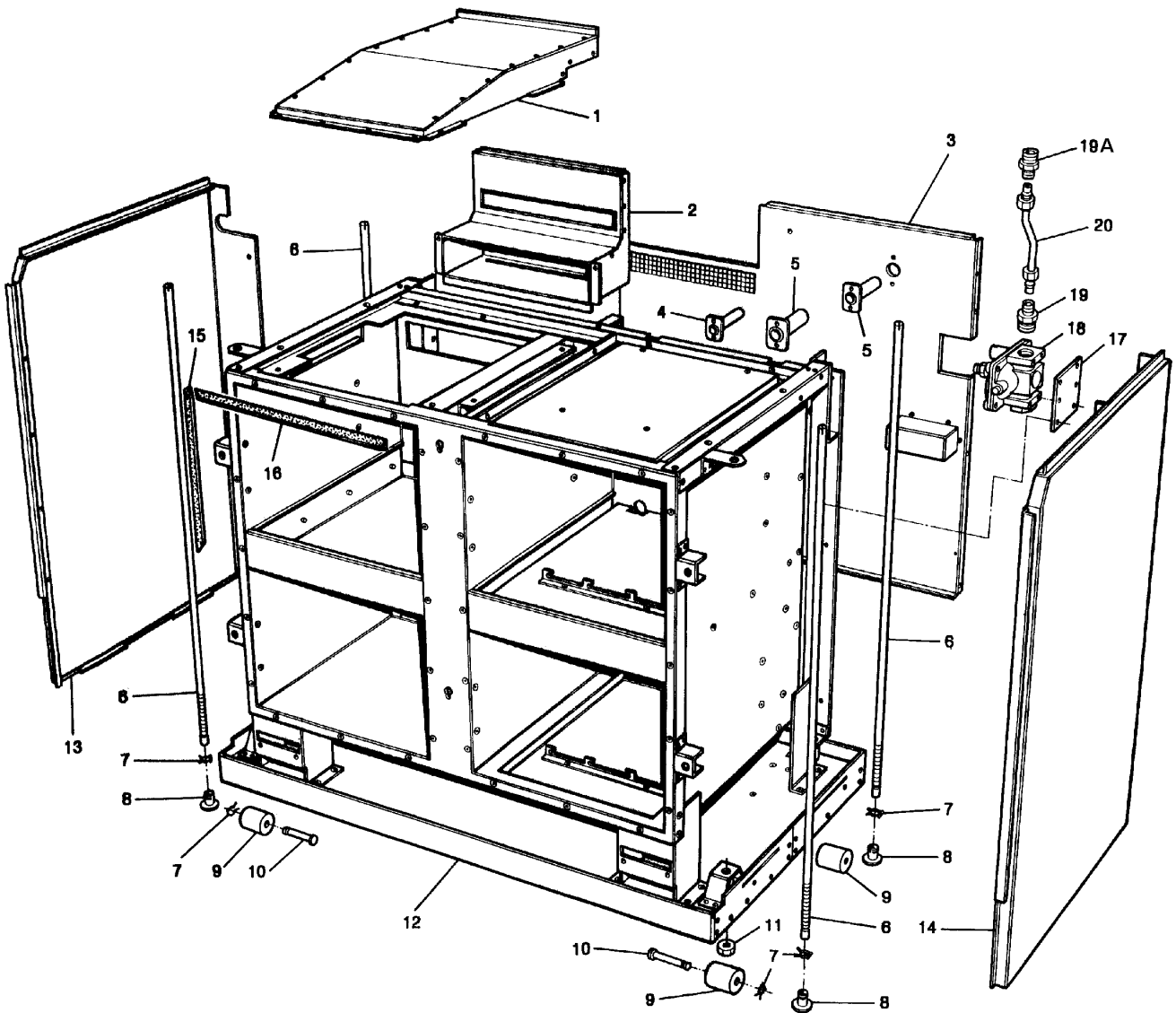
AGA SIX-FOUR SERIES - DC6 (WITH FFD'S) USA  
TOP, BOTTOM, FAN AND GRILL ASSEMBLIES

**AGA SIX-FOUR SERIES - DC6 (WITH FFD'S) USA  
CHASSIS FRAME ASSEMBLY**

**OCTOBER 2007**

<b>ITEM No.</b>	<b>CAT No.</b>	<b>DESCRIPTION</b>	<b>PRODUCT CODE</b>
1		GRILL TOP DUCT ASSY	AG1M250348
2		REAR GRILL HEAT DUCT ASSY	AG1M250358
3		BACK PANEL	AG2M250702
4	A3100	VENT PIPE	AE4M240090
5		VENT PIPE	AG4M250534
6		ADJUSTING RODS	AG4M250485
7		CIRCLIP ROLLER	KCLP250580
8		FEET	AG4M250484
9		ROLLER	AG4M250471
10		ROLLER WHEEL SPINDLE	AG4M250472
11		NUT M16	KNUT500417
12		BASE PLATE ASSY	AG1M250329
13	A4016	LH SIDE PLATE	AG2V250482
14	A4017	RH SIDE PLATE	AG2V250697
15	A4414	FRONT PLATE SEAL - VERTICAL	AG4M250562
16	A4415	FRONT PLATE SEAL - HORIZONTAL	AG4M250561
17		REGULATOR SUPPORT BRACKET	AG2M250705
18	A3476	GOVERNOR (UP TO M05-172)	AG4M250174
18A		GOVERNOR - MAXITROL (FROM M05-172)	AG4M251246
19	A4243	COUPLING 1/2 NPT x 10mm	AG4M250369
19A		STUD COUPLING 1/2" BSP x 10mm	AG4M250997
20		CONNECTING PIPE (10mm DIA)	AG4M250708





AGA SIX-FOUR SERIES - DC6 - FFD (USA)  
 CHASSIS FRAME ASSEMBLY