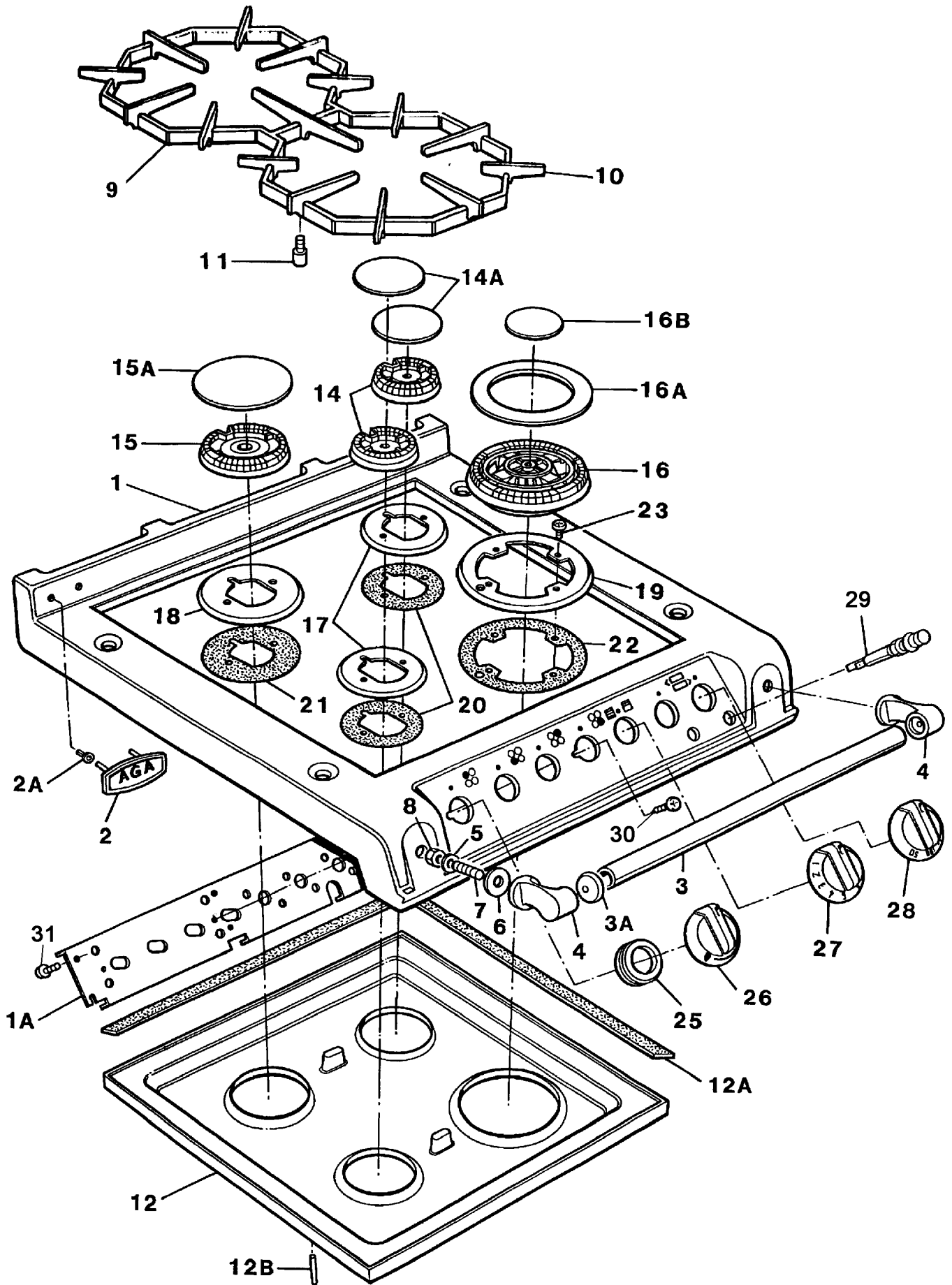


**AGA COMPANION  
WITH GAS HOB - USA**

***SPARE PARTS  
MANUAL***

**AGA COMPANION WITH GAS HOB - USA      MAY 2003**  
**TOP PLATE AND HOTPLATE PARTS**

ITEM No.	CAT No.	DESCRIPTION	PRODUCT CODE
1	A3187	TOP PLATE	AG5E250010
1A		FACIA PANEL	AG2M250047
2		AGA BADGE (UP TO M02-037)	AE4M240175
2A		BADGE CLIP SIMM SCG 168/17/05	KCLP26230
3	A3019	HANDRAIL	AE4M240180
3A	A2975	VINYL END CAP	AG4M210660
4	A2314	BRACKET HANDLE	AG4M210853
5	A1472	WASHER M8 SHAKEPROOF	KWSR53346
6		FIBRE WASHER	JWSR313206
7		ALLTHREAD M8 x 35	KSTD500010
8	R2630	NUT M8	KNUT53061
9		PAN SUPPORT ASSEMBLY (INCLUDES 10 & 11)	AG4M250205
10	A3475	PAN SUPPORT	AG4M250186
11	A3508	PAN SUPPORT FEET	AG4M250178
12	A3189	HOTPLATE	AG5E250012
12A	A3190	HOTPLATE GASKET (x4)	JGSG250083
12B	A3191	SPIROL PIN $\varnothing$ 6 x 30	KCTR500380
14	A3192	BURNER RING 1.75kW	AG4M250123
14A	A3193	BURNER CAP 1.75kW VE	AG4M250124
15	A3194	BURNER RING 3.0kW	AG4M250125
15A	A3195	BURNER CAP 3.0kW VE	AG4M250126
16	A3196	BURNER RING 3.5kW	AG4M250127
16A	A3197	BURNER CAP 3.5kW VE	AG4M250128
16B	A3198	BURNER INNER CAP 3.5kW VE	AG4M250129
17	A3199	BURNER SKIRT DISC 1.75kW	AG4M250109
18	A3200	BURNER SKIRT DISC 3.0kW	AG4M250108
19	A3201	BURNER SKIRT DISC 3.5kW	AG4M250107
20	A3202	BURNER GASKET 1.75kW	JGSG250079
21	A3203	BURNER GASKET 3.0kW	JGSG250078
22	A3204	BURNER GASKET 3.5kW	JGSG250077
23	A2332	SCREW M8 x 8 C'SNK HEAD M/C ST/ST	KCSK500365
25		GROMMET - REEVITE PV865	AG4M250089
26	A3205	KNOB - GAS BURNERS	AG4M250072
27	A3206	KNOB - GRILL	AG4M250074
28	A3207	KNOB - OVENS	AG4M250218
29	A3045	NEON	AE4M240092
30		M3.5 X 16mm PAN HEAD POZI	KPAN500370
31		M5 x 8 PAN HEAD TAPTITE	KPAN500317



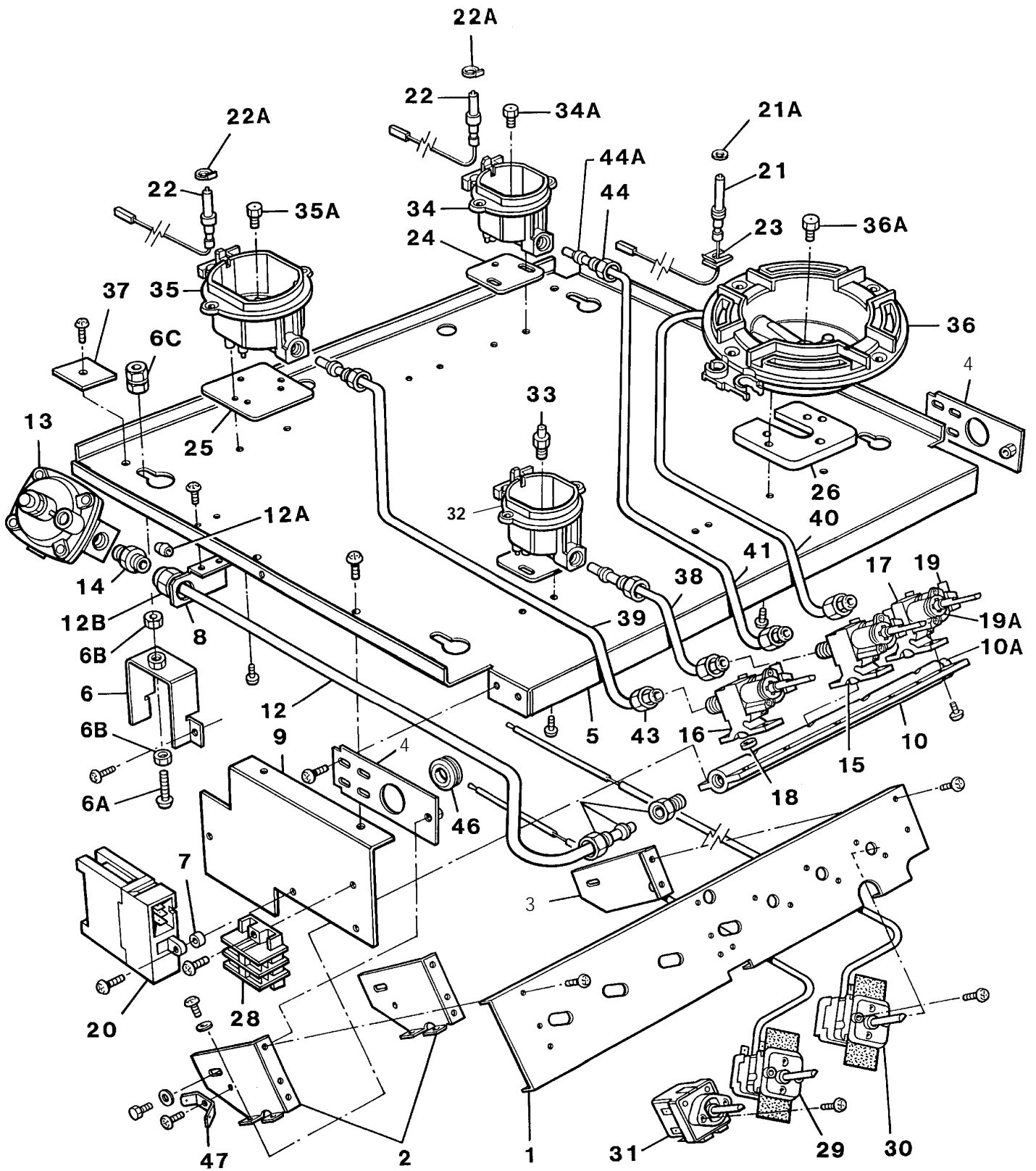
TOP PLATE & HOTPLATE PARTS  
 AGA COMPANION WITH GAS HOB - USA

**AGA COMPANION WITH GAS HOB - USA      FEBRUARY 1999**  
**CHASSIS PARTS**

ITEM No.	CAT No.	DESCRIPTION	PRODUCT CODE
1		CONTROL MOUNTING PLATE	AG2M250046
2		GAS RAIL BRACKET	AG2M250048
3		SUPPORT BRACKET	AG2M250049
4		END SUPPORT BRACKET	AG2M250051
5		BURNER MOUNTING PANEL	AG2M250194
6		HOTPLATE SUPPORT BRACKET	AG2M250053
6A		SCREW M8 x 45 POZI PAN MS/ZP	KPAN500371
6B	C1552	M6 NUT	KNUT53051
6C		SPECIAL NUT	AG4M250064
7		SPACER	AG4M250200
8		GAS TUBE BRACKET	AG2M250275
9		IGNITION GENERATOR CARRIER	AG2M250195
10		GAS RAIL	AE4M250055
10A		PLUG (BSPT TAPER) QC.D88.163	AG4M250081
11	R1392	COMPRESSION TO 1/4" BSPT UNION QC.MG13.10.163	RO4M27540
12		GAS RAIL TUBE ø 'BUNDY'	AG4M250271
13	A3476	GOVERNOR 4743G0002A D/H	AG4M250174
14		3/8" BSP x 10mm COUPLING UP TO 14 DEC 2000	RG4M27532
		COUPLING 1/2 NPT x 10mm FROM 15 DEC 2000	AG4M250369
15		GAS TAP 1.75kW	
	A3477	N.G.	AG1M250211
	A3478	L.P.G.	AG1M250214
16		GAS TAP 3.0kW	
	A3479	N.G.	AG1M250212
	A3480	L.P.G.	AG1M250215
17		GAS TAP 3.5kW	
	A3481	N.G.	AG1M250213
	A3482	L.P.G.	AG1M250216
18	A3211	TAP SEAL 16800 JG	AG4M250131
19		IGNITION SWITCH 61450GH	AG4M998425
19A		SWITCH PUSH-ON CLIP 21140VP	AG4M998426
20	A3212	IGNITION GENERATOR	AG4M250021
21	A3213	IGNITION ELECTRODE & WIRE 0746/750	AG4M250027
21A	M0010	ELECTRODE SEAL SABAF 0817	AG4M250028
22	A3214	IGNITION ELECTRODE & WIRE 0812/600	AG4M250029
22A	A3215	ELECTRODE SEAL 0816	AG4M250030
23	A3216	ELECTRODE CLIP 0813	AG4M250031
24		S/RAPIDE SPACER (1.75kW)	AG4M250032
25		RAPIDE SPACER (3.0kW)	AG4M250033
26		'WOK' SPACER (3.5kW)	AG4M250068
28		TAB TERMINAL BLOCK METWAY 3070 PC 02 WE 53	AG4M250075
29	A3223	REGULATOR TOP OVEN	AG4T250111
30	A3224	REGULATOR BOTTOM OVEN	AG4T250112
31	A3225	REGULATOR GRILL	AG4M250110
32	A3495	BURNER CUP 1.75 kW COMP/MOD	AG1M998525
33	A3483	INJECTOR/TEST NIPPLE 1.18    N.G.	AG4M250191
	A3486	INJECTOR/TEST NIPPLE 0.72    L.P.G.	AG4M250192
34	A3495	BURNER CUP 1.75 kW COMP/MOD	AG1M998525
34A	A3485	INJECTOR 1.18    N.G.	AG4M250188
	A3487	INJECTOR 0.72    L.P.G.	AG4M250165
35	A3496	BURNER CUP 3.0kW COMP/MOD	AG1M998526
35A	A3488	INJECTOR 1.55    N.G.	AG4M250189
	A3489	INJECTOR 0.94    L.P.G.	AG4M250166

**AGA COMPANION WITH GAS HOB - USA      FEBRUARY 1999**  
**CHASSIS PARTS**

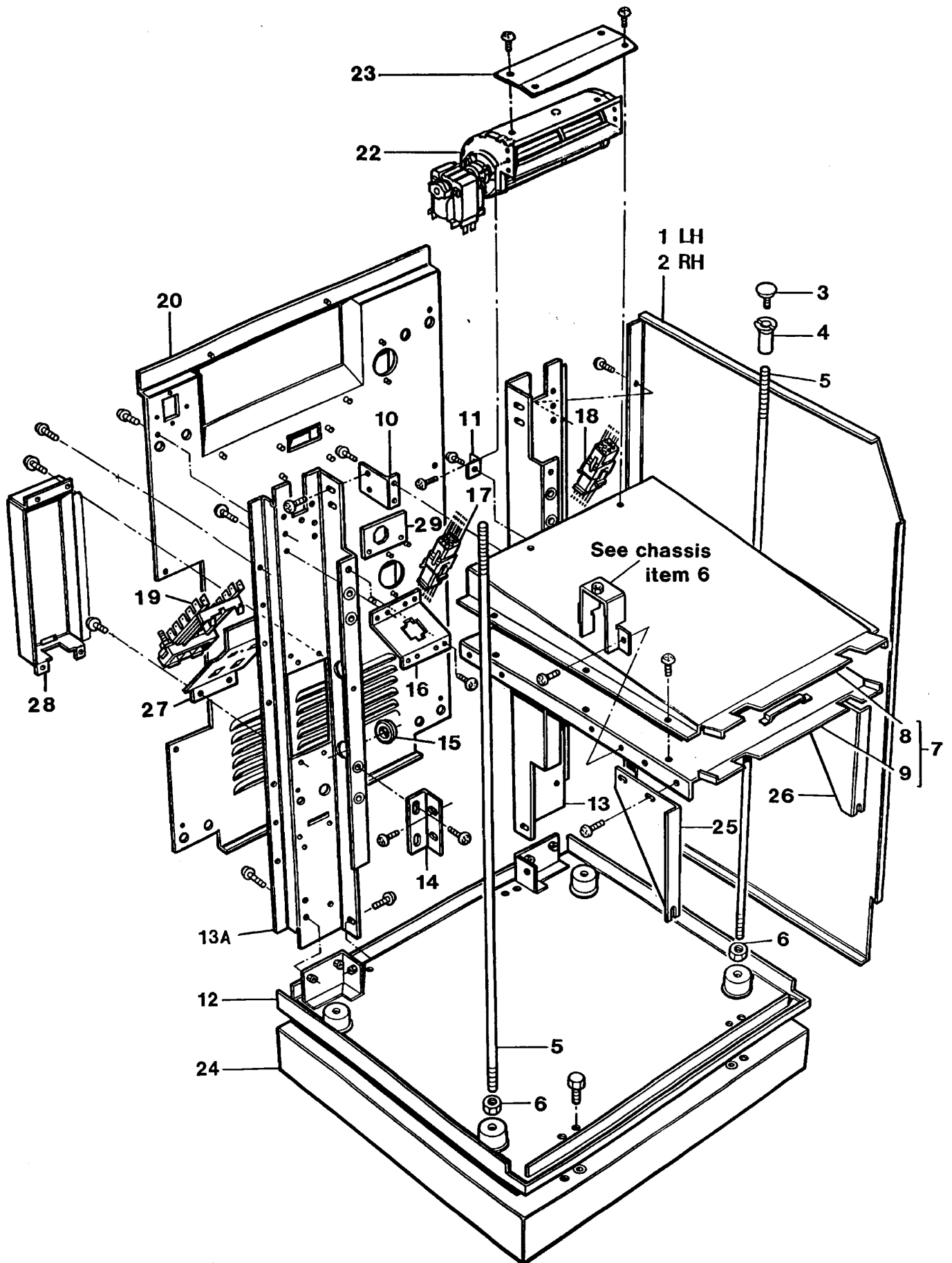
ITEM No.	CAT No.	DESCRIPTION	PRODUCT CODE
36	A3497	'WOK' BURNER CUP 3.5kW COMP/MOD	AG1M998527
36A	A3490	WOK INJECTOR 1.70 NG	AG4M250190
	A3491	WOK INJECTOR 1.05 LPG6	AG4M250167
37		STOP PLATE	AG2M250145
38		GAS PIPE 1.75kW FRONT	AG4M250061
39		GAS PIPE 3.0kW BACK	AG4M250060
40		GAS PIPE 3.5kW FRONT	AG4M250063
41		GAS PIPE 1.75kW BACK	AG4M250062
		SUPPLY EACH PIPE WITH ONE EACH:-	
43		TUBE NUT (MALE) M16 x 1.5	AG4M250065
44		TUBE NUT (SABAF) 0784	AG4M250135
44A		OLIVE (SABAF) 0775	AG4M250136
46		GROMMET - REEVITE 3461	AE4M250132
47		EARTH TAB CONNECTOR	AG4M250082



CHASSIS PARTS  
AGA COMPANION WITH GAS HOB - USA

**AGA COMPANION WITH GAS HOB - USA    FEBRUARY 1999  
 BASE, BACK PLATE & COOLING DUCT ASSEMBLY - UP TO M01-086**

<b>ITEM No.</b>	<b>CAT No.</b>	<b>DESCRIPTION</b>	<b>PRODUCT CODE</b>
1	A2985	SIDE PLATE LH	AE2V240105
2	A2984	SIDE PLATE RH	AE2V240106
3	A2119	BUTTON CORNER STAY	AG4M210228
4	A2123	NUT- CORNER STAY	AG4M210244
5	A2124	STAY ROD	AG4M210242
6	A3069	LOCKNUT - 5/16 BSW	KNUT53065
7	A3635	DUCT ASSEMBLY	AG1M250141
8	A3071	DUCT TOP ASSEMBLY	AE1M240122
9	A3072	DUCT BOTTOM	AE2M240111
10	A3073	BRACKET - REAR DUCT	AE2M240118
11	A3074	BRACKET - FAN FIXING	AE2M240143
12	A3075	BASE PLATE ASSEMBLY	AE2V240067
13		REAR STRUT - RH	AG2M250193
13A		REAR STRUT - LH	AG2M250182
14	A3077	SUPPORT BRACKET - OVEN	AE2M240123
15	A2757	GROMMET	AE4M240132
16	A3078	BRACKET - WIRING SOCKET	AE2M240113
17		LH 9-WAY PLUG	AG4M250161/1
18		RH 9-WAY PLUG	AG4M250161/2
19	M0040	MAINS TERMINAL BLOCK	AG4M250175
20		BACK PLATE ASSEMBLY	AG1M250274
22	A3081	COOLING FAN	AE4M240008
23	A3082	BRACKET - FAN	AE2M240114
24	A3015	PLINTH ASSEMBLY	AE2V240195
25		STABILISING BRACKET - LH	AG2M250056
26		STABILISING BRACKET - RH	AG2M250057
27	A3920	TERMINAL BLOCK MOUNTING PLATE	AG2M250180
28	A3921	TERMINAL BLOCK COVER	AG2M250181
29		GOVERNOR MOUNTING PLATE	AG2M250276

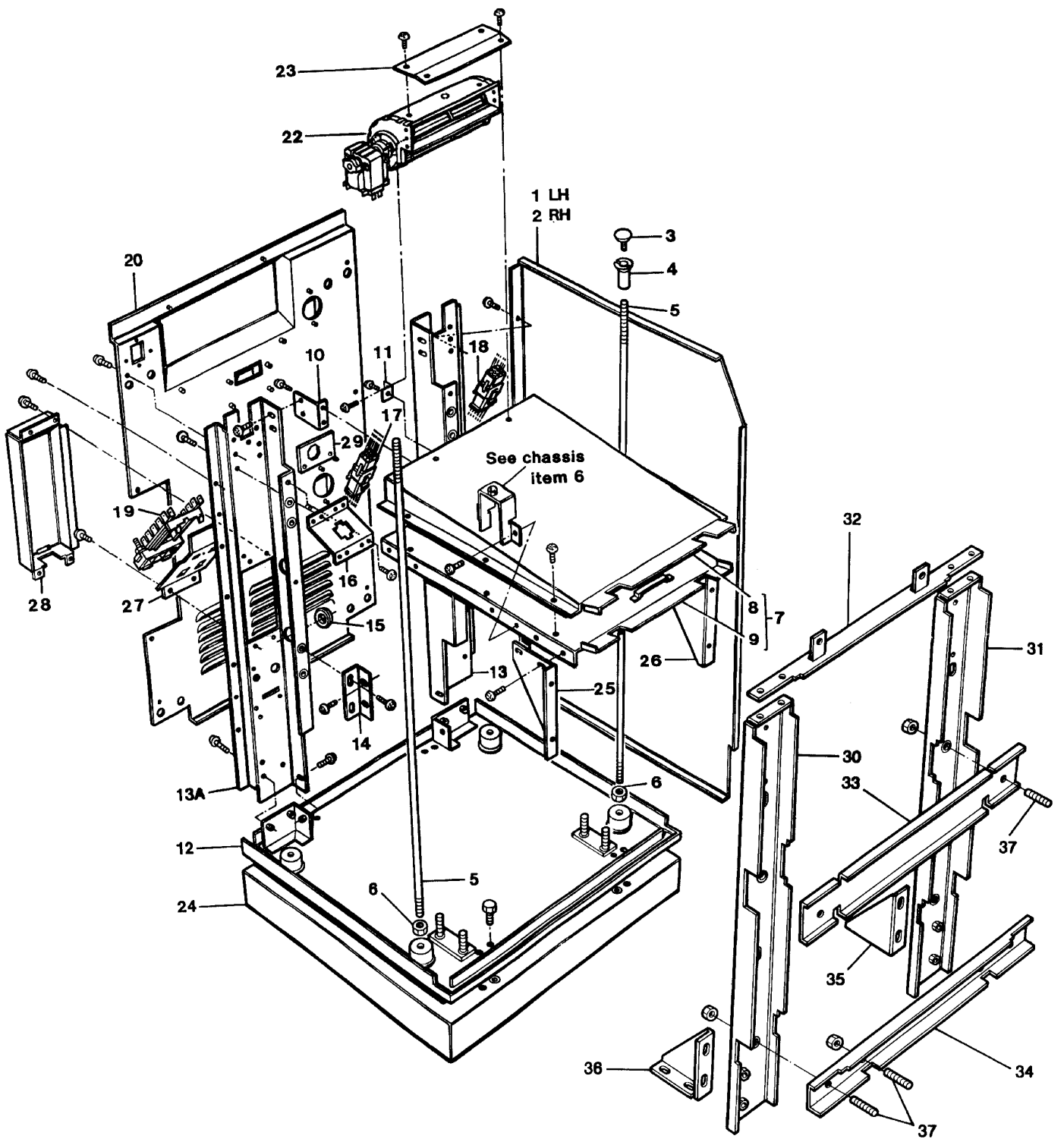


BASE, BACK PLATE & COOLING DUCT ASSEMBLY  
 AGA COMPANION WITH GAS HOB - USA - UP TO M01-086



**AGA COMPANION WITH GAS HOB - USA    MARCH 2002  
BASE, BACK PLATE & COOLING DUCT ASSEMBLY - FROM M01-086**

<b>ITEM No.</b>	<b>CAT No.</b>	<b>DESCRIPTION</b>	<b>PRODUCT CODE</b>
1	A2985	SIDE PLATE LH	AE2V240105
2	A2984	SIDE PLATE RH	AE2V240106
3	A2119	BUTTON CORNER STAY	AG4M210228
4	A2123	NUT- CORNER STAY	AG4M210244
5	A2124	STAY ROD	AG4M210242
6	A3069	LOCKNUT - 5/16 BSW	KNUT53065
7	A3635	DUCT ASSEMBLY	AG1M250141
8	A3071	DUCT TOP ASSEMBLY	AE1M240122
9	A3072	DUCT BOTTOM	AE2M240111
10	A3073	BRACKET - REAR DUCT	AE2M240118
11	A3074	BRACKET - FAN FIXING	AE2M240143
12	A3075	BASE PLATE ASSEMBLY	AE2V240067
13		REAR STRUT - RH	AG2M250193
13A		REAR STRUT - LH	AG2M250182
14	A3077	SUPPORT BRACKET - OVEN	AE2M240123
15	A2757	GROMMET	AE4M240132
16	A3078	BRACKET - WIRING SOCKET	AE2M240113
17		LH 9-WAY PLUG	AG4M250161/1
18		RH 9-WAY PLUG	AG4M250161/2
19	M0040	MAINS TERMINAL BLOCK	AG4M250175
20		BACK PLATE ASSEMBLY	AG1M250274
22	A3081	COOLING FAN	AE4M240008
23	A3082	BRACKET - FAN	AE2M240114
24	A3015	PLINTH ASSEMBLY	AE2V240195
25		STABILISING BRACKET - LH	AG2M250263
26		STABILISING BRACKET - RH	AG2M250264
27	A3920	TERMINAL BLOCK MOUNTING PLATE	AG2M250180
28	A3921	TERMINAL BLOCK COVER	AG2M250181
29		GOVERNOR MOUNTING PLATE	AG2M250276
30		FRONT STRUT - LH	AG2M250256
31		FRONT STRUT - RH	AG2M250257
32		TOP CROSS MEMBER ASSY	AG1M250258
33		CENTRE CROSS MEMBER	AG2M250262
34		BOTTOM CROSS MEMBER	AG2M250265
35		FRONT RH STRUT	AG2M250257
36		FRONT LH STRUT	AG2M250256
37		ALLTHREAD M6 x 32	KSTD52750

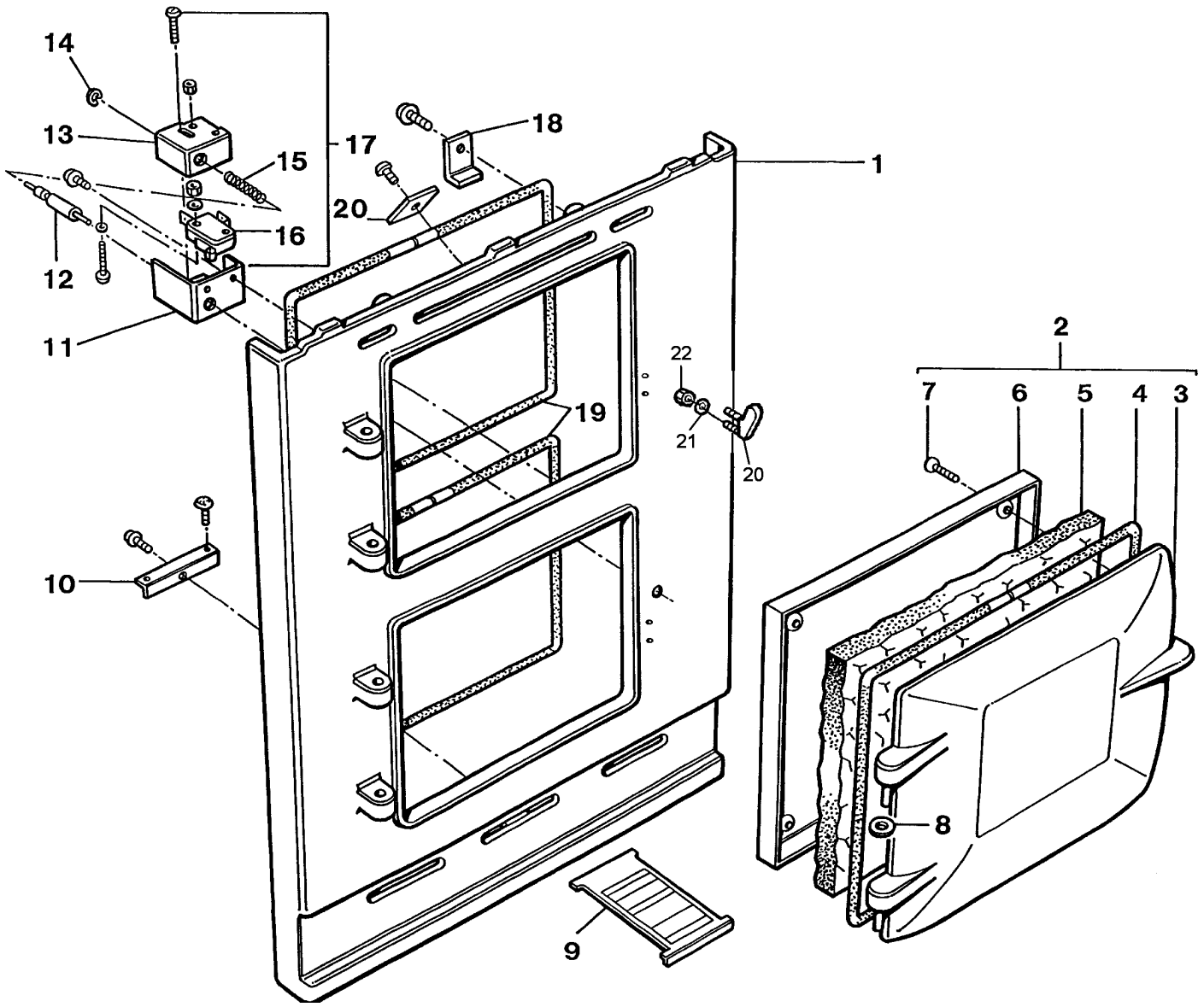


BASE, BACK PLATE & COOLING DUCT ASSEMBLY  
 AGA COMPANION WITH GAS HOB - USA - FROM M01-086

**AGA COMPANION WITH GAS HOB - USA  
FRONT PLATE & DOOR ASSEMBLY**

**MAY 2003**

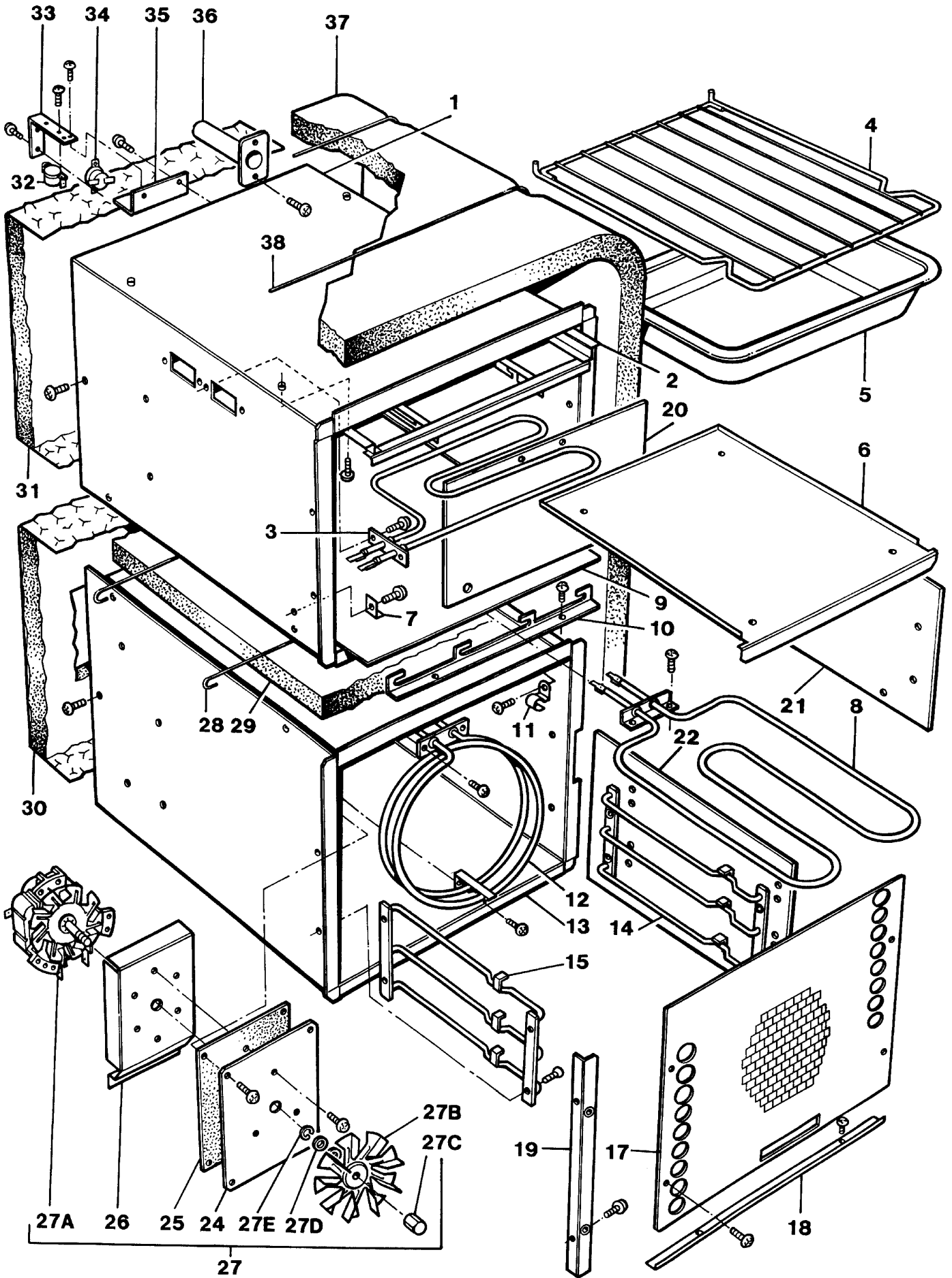
<b>ITEM No.</b>	<b>CAT No.</b>	<b>DESCRIPTION</b>	<b>PRODUCT CODE</b>
1		FRONT PLATE (UP TO M02-081)	AE5E240005
1A		FRONT PLATE (FROM M02-081)	AE5E240247
2	A4068	DOOR ASSEMBLY - BOTTOM	AE9M240204
2A	A2955	DOOR ASSY TOP (UP TO M02-037)	AE9M240197
2B	A4067	DOOR ASSY TOP - INCLS BADGE (FROM M02-037)	AE9M998793
3	A1671	DOOR - BOTTOM	AE9M240204
4	A3054	SEAL - THERMOSEAL ROPE No. 4 x 1200 LG - UP TO M01-080	AE1M230125
	A4340	TOP DOOR SEAL - THERMOSEAL ROPE No. 4 x 1000 LG (BLACK) FROM M01-080	AE1M230399
		BOTTOM DOOR SEAL - THERMOSEAL ROPE No. 4 x 1185 LG (BLACK) FROM M01-080	AE1M230400
5	R1080	INSULATION	MRWF210639
6	A3022	LINER	AE4M240186
7		SCREWS M8 x 20 LG CSK HD	KCSK500341
8	A1950	WASHER 8 x 16 x 1mm THICK	KWSR53500
9		SLIDING PLATE - DATA PLAQUE	AG2V250185
10	A3058	ANGLE CARRIER	AE2M240147
11	A3059	SUPPORT BRACKET DOOR SWITCH	AE2V240080
12	A3060	PIN	AE4M240021
13	A3526	BRACKET	AE2M240081
14	A3062	CIRCLIP	KCLP500303
15	A3063	SPRING	AE4M240085
16	A3064	MICROSWITCH	AE4M240084
17	A3114	DOOR SWITCH ASSEMBLY	AE4M240056
18	A3065	CLAMP - OVEN FITTING	AE2M240082
19	A3066	ROPE SEAL 7 DIA	JTHR240144
20	A3956	DOOR CATCH	AG4M250478P
21		DOOR CATCH GASKET	JGSG211270
22		LOCKING NUT	KNUT500485



FRONT PLATE & DOOR ASSEMBLY  
 AGA COMPANION WITH GAS HOB - USA

**AGA COMPANION WITH GAS HOB - USA      MAY 2003**  
**TOP AND BOTTOM OVEN ASSEMBLIES**

<b>ITEM No.</b>	<b>CAT No.</b>	<b>DESCRIPTION</b>	<b>PRODUCT CODE</b>
1		TOP OVEN ASSEMBLY	AE4M240184
2		SUPPORT - GRILL ELEMENT	AE1M240031
3	A3068	ELEMENT - GRILL	AE4M240054
4	A2973	GRID SHELF	AE4M240065
5	A3285	ROASTING TIN - VE	EMTY530218
6	A3083	GRILL TRAY	AE4M240032
7		RETAINING CLIP	AE2M240079
8	A3043	ELEMENT - TOP OVEN	AE4M240042
9	A3085	BASE PANEL	AE4M240039
10		SUPPORT - OVEN ELEMENT	AE2M240125
11	A3087	PHIAL CLIP	AE4M240058
12	A3088	ELEMENT - BOTTOM OVEN	AE4M240053
13		BOTTOM OVEN ASSEMBLY	AE4M240185
14	A3089	SHELF SUPPORT RH	AE4M240075
15	A2974	SHELF SUPPORT LH	AE4M240074
16			
17		BAFFLE PLATE	AE4M240178
18		SEALING BRACKET	AE2M240078
19		FIXING BRACKET	AE2M240020
20	A3016	TOP OVEN REAR LINING	AE4M240179
21	A3017	TOP OVEN INNER SIDE LINING (LH & RH)	AE4M240176
22	A3018	BOTTOM OVEN INNER SIDE LINING (LH & RH)	AE4M240177
24		MOUNTING PLATE	AE4M240017
25		GASKET	JGSG240142
26		FAN SHIELD	AE2M240119
27	A3095	FAN AND IMPELLOR ASSEMBLY	AE4M 240093
27A		MOTOR	AE4M240155
27B		IMPELLOR	AE4M240156
27C		NUT - IMPELLOR	AE4M240157
27D		WASHER	AE4M240158
27E		CIRCLIP	AE4M240159
28		WIRE 650 LG	AE4M240145
29		INSULATION - PLAIN	JPAD230037
30	A3097	INSULATION - BOTTOM OVEN	JPAD240051
31	A3098	INSULATION - TOP OVEN	JPAD240050
32	A3042	CUT-IN	AE4M240131
33	A3099	CARRIER BRACKET - FAN CUT OUT/IN	AE2M240135
34	R3246	CUT-OUT	RO4T340645
35		BRACKET - FAN CUT OUT/IN	AE4M240134
36	A3100	VENT PIPE	AE4M240090
37	A3101	MAIN WRAP INSULATION	JPAD240052
38	A3096	WIRE 2.3m LONG	AE4M240145



TOP & BOTTOM OVEN ASSEMBLIES  
 AGA COMPANION WITH GAS HOB - USA