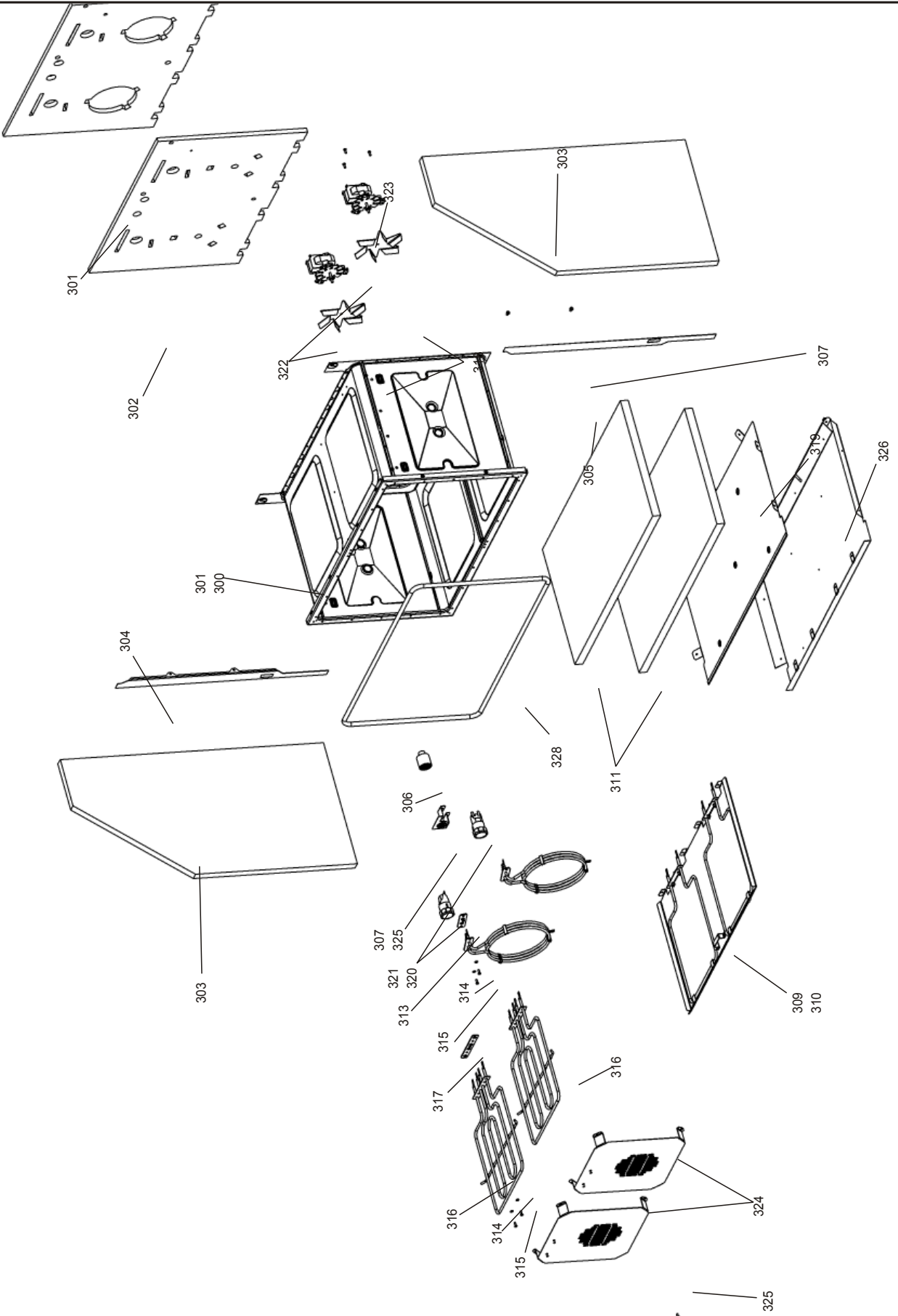
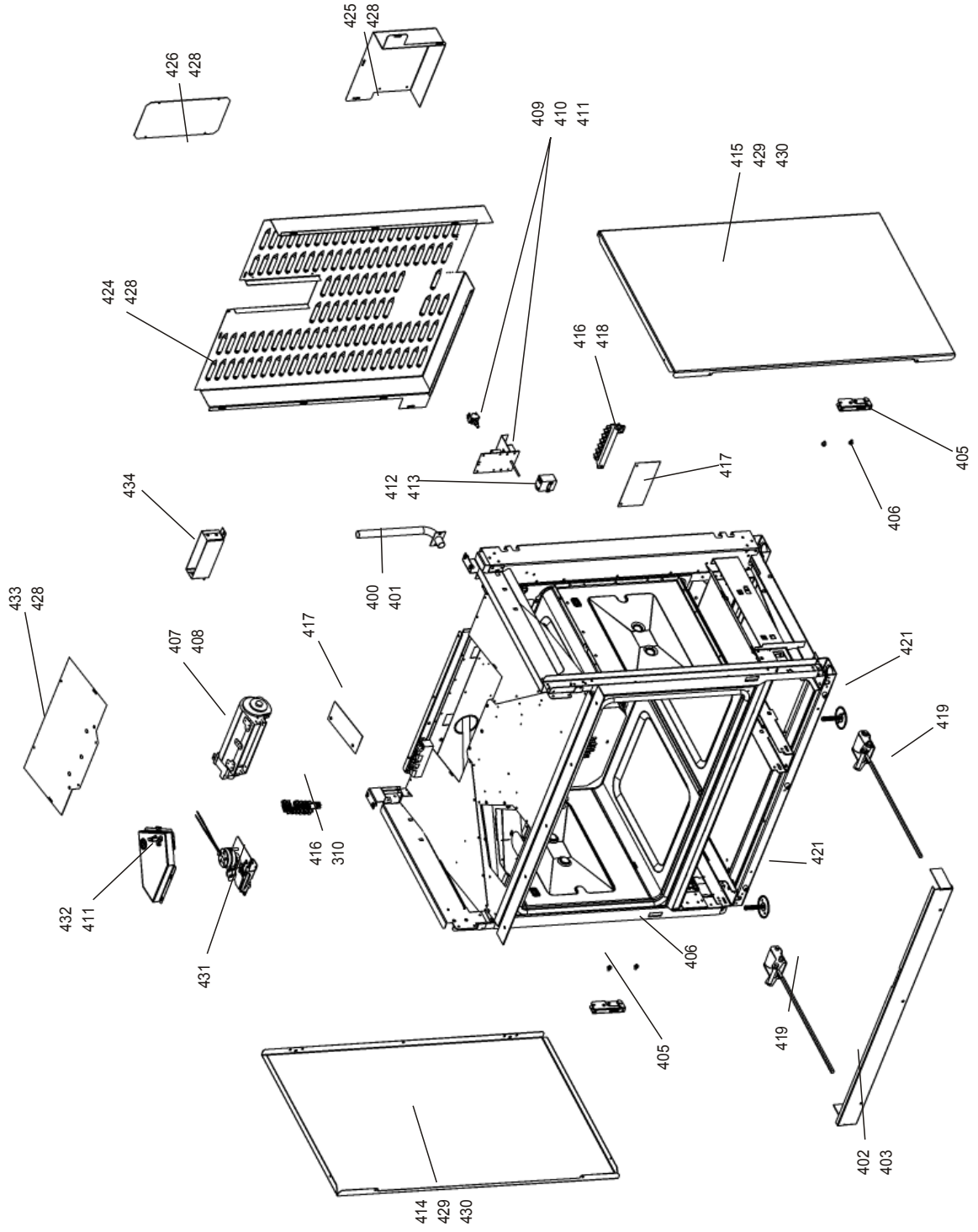


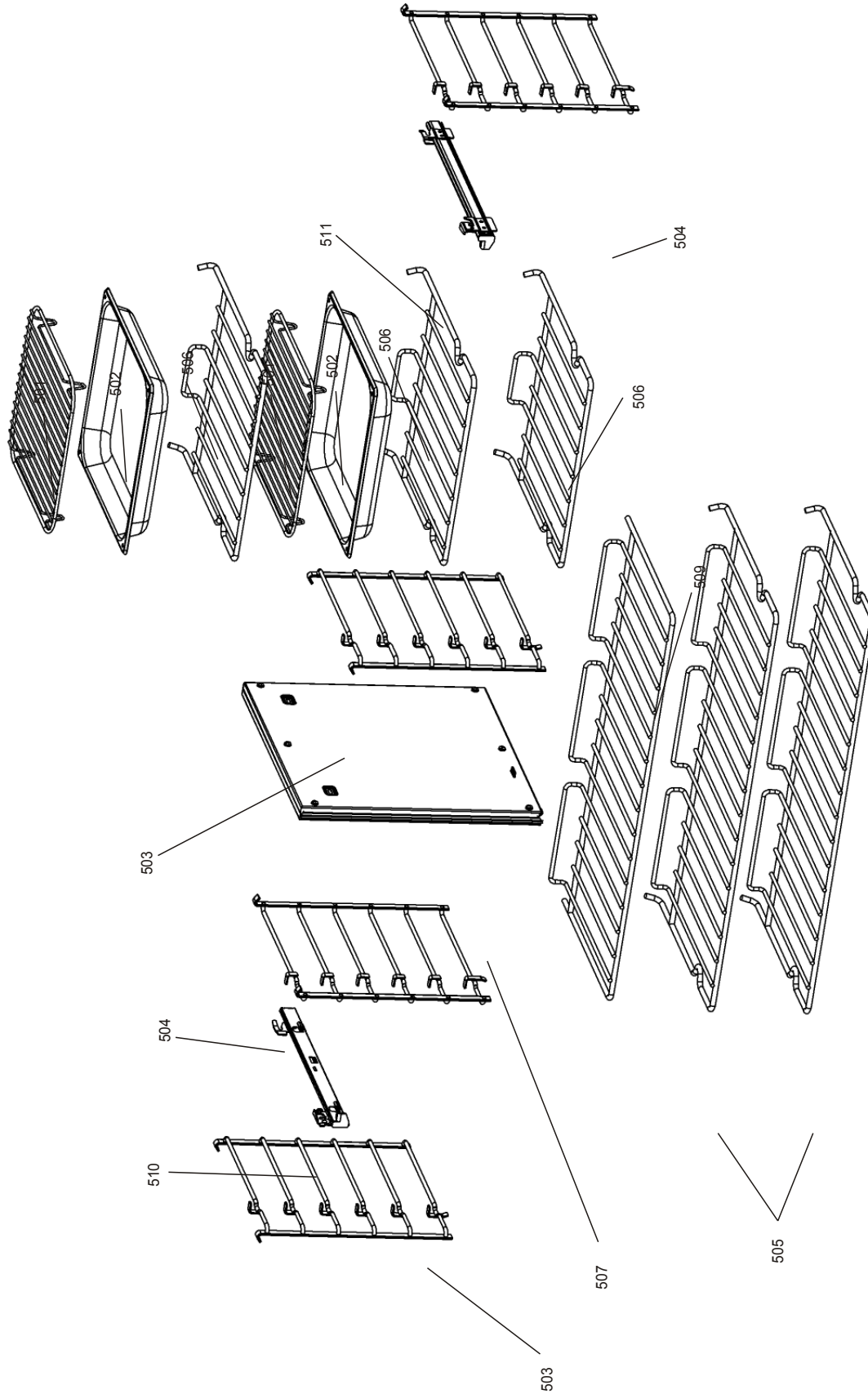
DSL0435 P03
ISSUE STATUS 01

DATE 09.03.10

AGA PRO+ 900 DF PYRO



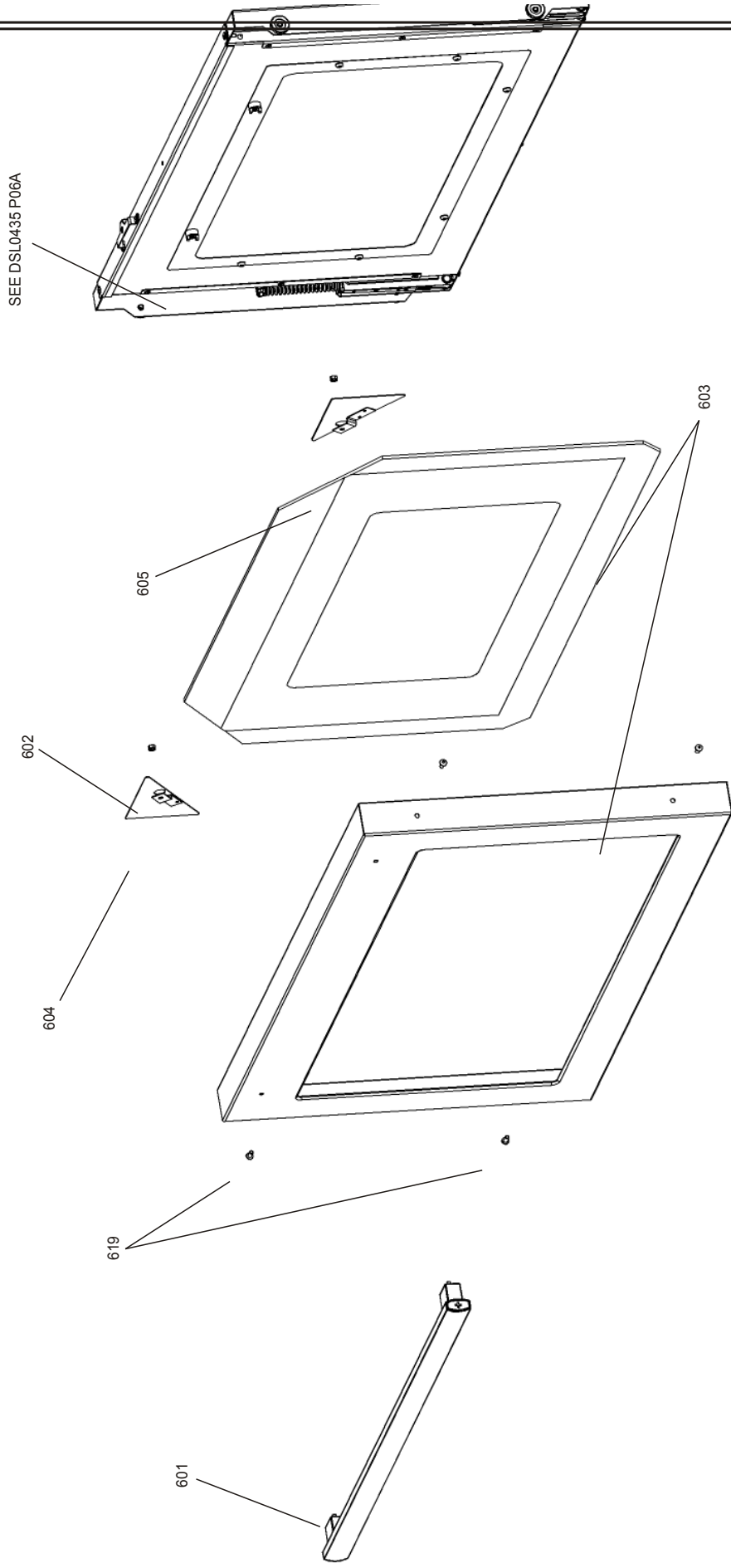


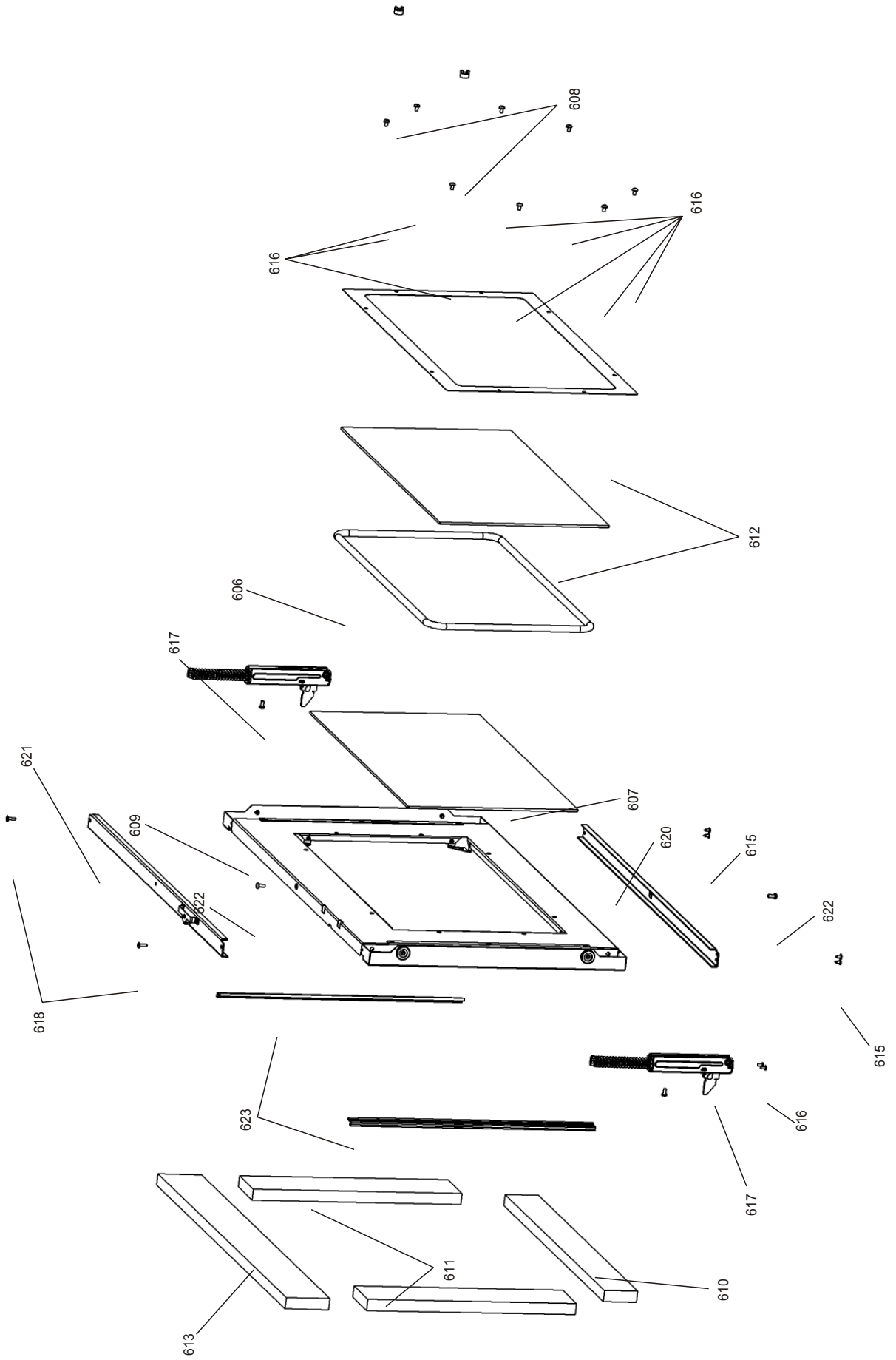


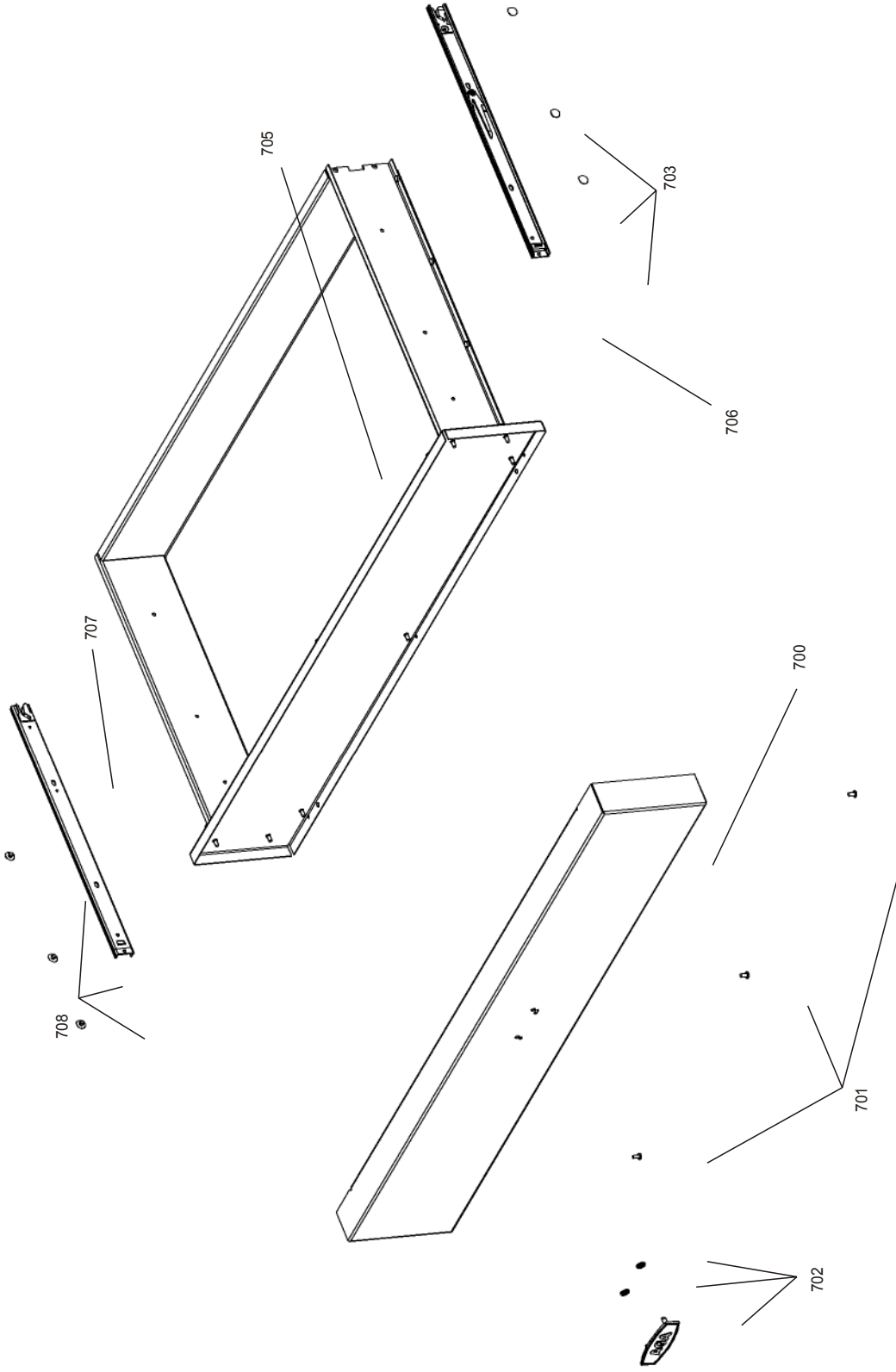
DSL0435 P06
ISSUE STATUS 01

DATE 09.03.10

AGA PRO+ 900 DF PYRO







Item No	HOTPLATE	QTY	ART No
101	900 HOTPLATE ASSY ST/ST - 8970	1A	050280
101	900 HOTPLATE ASSY BLACK - 9267 - 9268 - 9269 - 9270	1A	050331
102	RH INNER PAN SUPP ASSY USA GLOSS	1P	033784
103	LH INNER PAN SUPP ASSY USA GLOSS	1P	033782
104	90 CENTRE PAN SUPPORT ASSY USA	1P	035298
105	TRIPLE RING WOK BURNER INNER CAP	1P	026994
106	TRIPLE RING WOK BURNER INNER RING	1P	026992
107	TRIPLE RING WOK BURNER OUTER CAP	1P	026993
108	TRIPLE RING WOK BURNER OUTER RING	1P	026991
109	TRIPLE RING WOK BURNER BODY	1P	026990
110	INJECTOR (No80) WOK INNER	1P	033359
111	INJECTOR (No129) WOK OUTER	1P	027688
112	INJECTOR HOLDER CLIP	1P	027690
113	FSD PROBE - 600MM	1P	028236
114	TRB ELECTRODE	1P	027689
115	BURNER CAP ASSY SEMI RAPIDE	1P	024809
116	BURNER HEAD SEMI RAPIDE	2P	028233
117	90 BURNER ACCESSORIES KIT GLOSS	1A	043345
118	SEMI-RAPIDE BURNER BODY NG USA	2P	033361
119	HOTPLATE ELECTRODE	4P	026089
120	SCREW M3 x 6 PHP TAPTITE	5N	003376
121	FSD PROBE 600mm	4P	028226
122	BURNER CAP SEMI RAPID	1P	024809
123	BURNER HEAD RAPIDE	1P	028232
124	M3 X 8 PHP ST ST	10	N003476
125	M3 ALUM WASHER 3.2 6.8 0.5 TH	10	N003478
126	RAPIDE BURNER BODY NG USA	1P	033360
127	INJECTOR RAPIDE NG	1P	025015
128	BURNER CAP AUX,Y	1P	024811
129	BURNER HEAD AUX, Y	1P	028234
130	AUXILLIARY BURNER BODY NG USA	1P	033362
131	INJECTOR AUX,Y - NG	1P	025013
133	SCREW NO8X16 FHP S'T AB. BLACK	6N	003287
134	BLACK FIBRE WASHER	6N	003444
	FLUE TRIM		
150	FLUE EXTENSION PACK ST ST USA - 8970	1A	050308
150	FLUE EXTENSION PACK BLACK USA - 9267 - 9268 - 9269 - 9270	1A	050309
151	END CAP S/S RH STUD ASSY - 8970	1A	049938
151	END CAP RH STUD ASSY - 9267 - 9268 - 9269 - 9270	1A	049815_0791
152	END CAP S/S LH STUD ASSY - 8970	1A	050247
152	END CAP LH STUD ASSY - 9267 - 9268 - 9269 - 9270	1A	049249_0791
153	SHAKEPROOF WASHER M4 INT - FIX END CAPS	6N	003039
154	NUT M4 HEX - FIX END CAPS	6N	003019
155	SCREW M5x12 HEX SOCKET BUTTON HD STST - FIX A050308	4N	003479
155	SCREW M5x12 HEX SOCKET BUTTON HD BLACK - FIX A050309	4N	003467
155	FIBRE WASHER - FIX A050309	4N	003238
	CONTROLS & PIPES		
201	BURNER CONTROL KNOB ASSY	5P	050000
202	THERMO CTRL KNOB ASSY (C)	1P	050002
202A	THERMO CTRL KNOB ASSY (F)	1P	050003
203	MULTI FUCTION KNOB ASSY - PYRO	1P	050001
204	SWITCH BUTTON CHROMED DOMED	1P	098103
205	SWITCH BEZEL BLACK DOMED	1P	098100
206	TIMER BUTTON	6P	096548
209	LIGHT SWITCH	1P	033523
210	SIGNAL LAMP	2P	093040
211	TIMER MOUNTING BRACKET	1P	045404

212	GAS TAP TRB	1P	050264	
213	GAS TAP RAPIDE USA	1P	050263	
214	GAS TAP SEMI RAPIDE USA	2P	050262	
215	GAS TAP AUXILLIARY USA	1P	050261	
216	TAP CLAMP	5P	024285	
217	SCREW M4X8 PHP.	10	N003278	
218	SCREW M5 X 8PHP NIBBED	3N	003127	
219	CONTROL PANEL KIT PROF+ 900 DF PYRO USA ST ST - 8970	1A	050846	
219	CONTROL PANEL KIT PROF+ 900 DF PYRO USA BLACK - 9267	1A	050847	
219	CONTROL PANEL KIT PROF+ 900 DF PYRO USA IVORY - 9268	1A	050848	
219	CONTROL PANEL KIT PROF+ 900 DF PYRO USA WHITE - 9269	1A	050849	
219	CONTROL PANEL KIT PROF+ 900 DF PYRO USA CRANBERRY - 9270	1A	050850	
220	CAPTIVE NUT	6N	003546	
221	OVEN THERMOSTAT (NAK)	1P	049551	
222	DRONE MF SWITCH	1P	049550	
223	MASTER MF SWITCH	1P	049549	
224	PIPE ASSY TRB OUTER	1P	037463	
225	FSD PIPE ASSY BLOCK TO TRB OUTER	1P	035255	
226	3 WAY INLET BLOCK	1P	027066	
227	BURNER PIPE No3 (TAP 3 TO TRB)	1P	050258	
228	BURNER PIPE No5 (TAP 5 TO RAP)	1P	050260	
229	BURNER PIPE No4 (TAP 4 TO S/RAP RH)	1P	050259	
230	BURNER PIPE No2 (TAP 2 TO S/RAP LH)	1P	050257	
231	BURNER PIPE No1 (TAP 1 TO AUX)	1P	050256	
232	GAS RAIL FABRICATION (NO TAPS)	1P	049563	
232	GAS RAIL 90 WIDE USA ASSY (WITH TAPS)	1P	049564	
233	SPARK GENERATOR	1P	045065	
234	KNOB SET PYRO USA	1A	050307	
235	ROTARY SWITCH EGO	1P	095199	
236	TIMER BLUE/ 6 BUTTON/ PYRO	1P	049553	
	OVEN			
300	MULTIFUNCTION OVEN FABRICATION	1A	040762_0788	
301	BACK INSULATION	1P	049336	
302	BACK INSULATION (OVEN)	1P	049335	
303	SIDE INSULATION	2P	049338	
304	OVEN MOUNTING TRIM LH	1	049340_0617	
305	OVEN MOUNTING TRIM RH	1	049341_0617	
306	CATALYST	1A	050318	
307	CATALYST COVER	1Q	050235	
308	ELEMENT & REFLECTOR ASSEMBLY	2A	050282	
309	LOWER OVEN ELEMENT	2P	049327	
310	SCREW No8 x 1/2" PHP S'TAP AB	8N	001780	
311	LOWER ELEMENT INSULATION	1P	049339	
312	ELEMENT (3 COIL 240V)	2	P043423	
313	ELEMENT MOUNTING GASKET	2P	080009	
314	SHAKEPROOF WASHER M4 INT	10	N003039	
315	SCREW M4 x 12 PHP NICKEL/ CHROME	10	N003264	
316	TOP OVEN ELEMENT 240V	2P	049326	
317	GASKET - TOP & WARMER ELEMENTS	2P	043742	
318	FAN BLADES S/S	2P	049546	
319	BOTTOM	1Q	050271	
320	LAMPHOLDER-BULB ASSY & LENS	2P	050275	
321	OVEN LIGHT BULB (120V)	2P	033451	
322	OVEN FAN EBM-PAPST 900 CAVITY	2P	045095	
323	SCREW M4 X 12 PHP TAPTITE	6N	003174	
324	OVEN BAFFLE 900 OVEN	2	042849_0792	
325	SCREW No10X10 PHP PLASTITE	9N	003469	
326	BOTTOM COVER	1Q	049574	
328	DOOR SEAL 900 OVEN	1P	049225	
	COOKER CHASSIS			
400	FLUE TUBE FALCON 110 DF	1P	029479	

401	SCREW No8 x 1/2" PHP S'TAP AB	2	N001780
402	KICK STRIP	1	029005_06
403	SCREW	3	N003277
405	HINGE SUPPORT	2	P043562
406	SCREW M5 X 8 FLANGE	4	N003510
407	COOLING FAN	1	P049548
408	SCREW No 8	3	N001780
409	INTERLOCK SWITCH ASSY 900 CAVITY	1	A045096
410	INTERLOCK SWITCH 900 CAVITY	1	P043408
411	SCREW	4	N003174
412	OVERHEAT THERMOSTAT	1	P049552
413	SCREW M4 X 6 NIBBED	2	N003542
414	OUTER SIDE ASSY LH S/S - 8970	1	A045394
415	OUTER SIDE ASSY RH S/S - 8970	1	A045393
416	TERMINAL BLOCK	1	P025657
417	TERMINAL BLOCK INSULATION	1	P025656
418	SCREW	3	N001780
419	REAR ROLLER & JACKING KIT	2	A097341
420	LEVELLING FOOT FABRICATION	2	A095726
421	SPLITTER BEAK	1	Q049542 (
422	SCREW	2	N003169
424	REAR COVER 900 SINGLE OVEN	1	Q043654
425	TERMINAL BLOCK COVER	1	Q043831
426	REAR COVER HEAT SHIELD	1	Q045271
428	SCREW No 8	21	N001780
429	SCREW Ø3.5X16 FHP S'T PT.BLACK	2	N003323
430	SCREW NO8X10FHP NIB ST AB.BLACK	6	N003341
431	CATCH	1	A049555
432	COVER ASSEMBLY	1	A050295
433	COVER PLATE	1	Q043240
434	DIRECTOR	1	Q050291
	OVEN FURNITURE.		
501	TRIVET GRILL	2	P032192
502	GRILL PAN BODY	2	P032190
503	LH RUNNER 6 POSITION	2	P043431
504	RH RUNNER 6 POSITION	2	P043432
505	SHELF 900 OVEN	2	P043958
506	HALF SHELF - 900 OVEN	3	P043957
507	DIVIDER KIT	1	A050845
509	900 OVEN SHELF (RUNNER SYSTEM)	1	P048026
510	LH OVEN SLIDE ASSY	1	P049604
511	RH OVEN SLIDE ASSY	1	P049605
	OVEN DOOR		
601	DOOR HANDLE	1	P048036
602	M5 BARB NUT	2	P038000
603	OUTER DOOR GLUED ASSY ST ST - 8970	1	A050278
603	OUTER DOOR GLUED ASSY BLACK - 9267	1	A050411
603	OUTER DOOR GLUED ASSY IVORY - 9268	1	A050422
603	OUTER DOOR GLUED ASSY WHITE - 9269	1	A050431
603	OUTER DOOR GLUED ASSY CRANBERRY - 9270	1	A050437
604	HANDLE LOCATOR LH	1	A050303
605	HANDLE LOCATOR RH	1	A050304
606	SPACER SEAL ASSY	1	A050268
607	CENTRE DOOR GLASS	1	P049561
608	DOOR SPACER	2	P050272
609	INNER DOOR ASSY	1	A050320
610	INNER GLASS INSULATION - BOTTOM	1	P050143
611	INNER DOOR INSULATION - SIDE	2	P050142
612	INNER DOOR GLASS ASSY	1	A050057
613	INNER DOOR INSULATION - TOP	1	P049334
614	SCREW M4 x 8 PHP T'TITE BLACK - FIX HINGES	4	N003169
615	SCREW No8 x 10 FHP NIB ST AB BLACK - FIX ITEM 620	4	N003341
616	SCREW M5x8	8	N003134
617	OVEN DOOR HINGE	2	P050141
618	SCREW No8 x 16 FHP ST AB BLACK - FIX ITEM 621	2	N003277
619	SCREW M5X12 HEX SOCKET HD ST ST - SIDE FIXINGS	4	N003479
620	DOOR TRIM BOTTOM	1	Q050439
621	DOOR TRIM TOP	1	A050321
622	SCREW M5 x 10 PHP - FIX ITEM 620 & 621	2	N003064
623	DOOR GLASS EDGE SEAL	2	P050297
624	INNER DOOR GLASS (RESISTAN)	1	P049560

	DRAWER		
700	DRAWER FRONT STAINLESS STEEL - 8970	1Q	049488
700	DRAWER FRONT BLACK - 9267	1Q	050378_0674
700	DRAWER FRONT IVORY - 9268	1Q	050378_0675
700	DRAWER FRONT WHITE - 9269	1Q	050378_0676
700	DRAWER FRONT CRANBERRY - 9270	1Q	050378_0658
701	SCREW - DRAWER TO FRONT	6N	003169
702	NAMEBADGE KIT	1A	042008
703	RIVET 4 dia x 6.12 dia HEAD - FIX DRAWER SLIDES	6N	003601
705	DRAWER FABRICATION	1A	050075
706	DRAWER SLIDE RH	1P	048386
707	DRAWER SLIDE LH	1P	048384
	WIRING		
h1	HARNESS - PYRO RH OVEN	1P	050067
h2	HARNESS COOLING FAN	1P	050068
h3	WIRE HARNESS FEED	1P	050069
h4	WIRE ASSY TIMER PYRO LINK	1P	050070
h5	WIRE ASSY LIGHTS NEUTRAL	1P	045123
h6	WIRE ASSY EARTHS	2P	045124
h7	HARNESS - DOOR LOCK	1P	050071
h8	HARNESS - PYRO STAT FEED	1P	050072
h9	WIRE ASSY	1P	049241
h10	WIRING HARNESS IGNITION	1P	049254
h11	HARNESS PYRO LH OVEN	1P	050073
h15	HT HARNESS	1P	049242
h17	MULTI--OVEN STAT SELECTOR SW - VIOLET	1P	033074
	MISCELLANEOUS		
	LP CONVERSION KIT ASSY LEGACY 90	1A	035325
	INSTRUCTION PACK AGA PRO + PYROLYTIC OVEN	1	A034259
	STABILITY BRACKET KIT	1	A033649
	SIDE PANEL EXTENSION PACK - S/S - 8970	1	A050315
	SIDE PANEL EXTENSION PACK - BLACK - 9267 - 9268 - 9269 - 9270	1	A050383