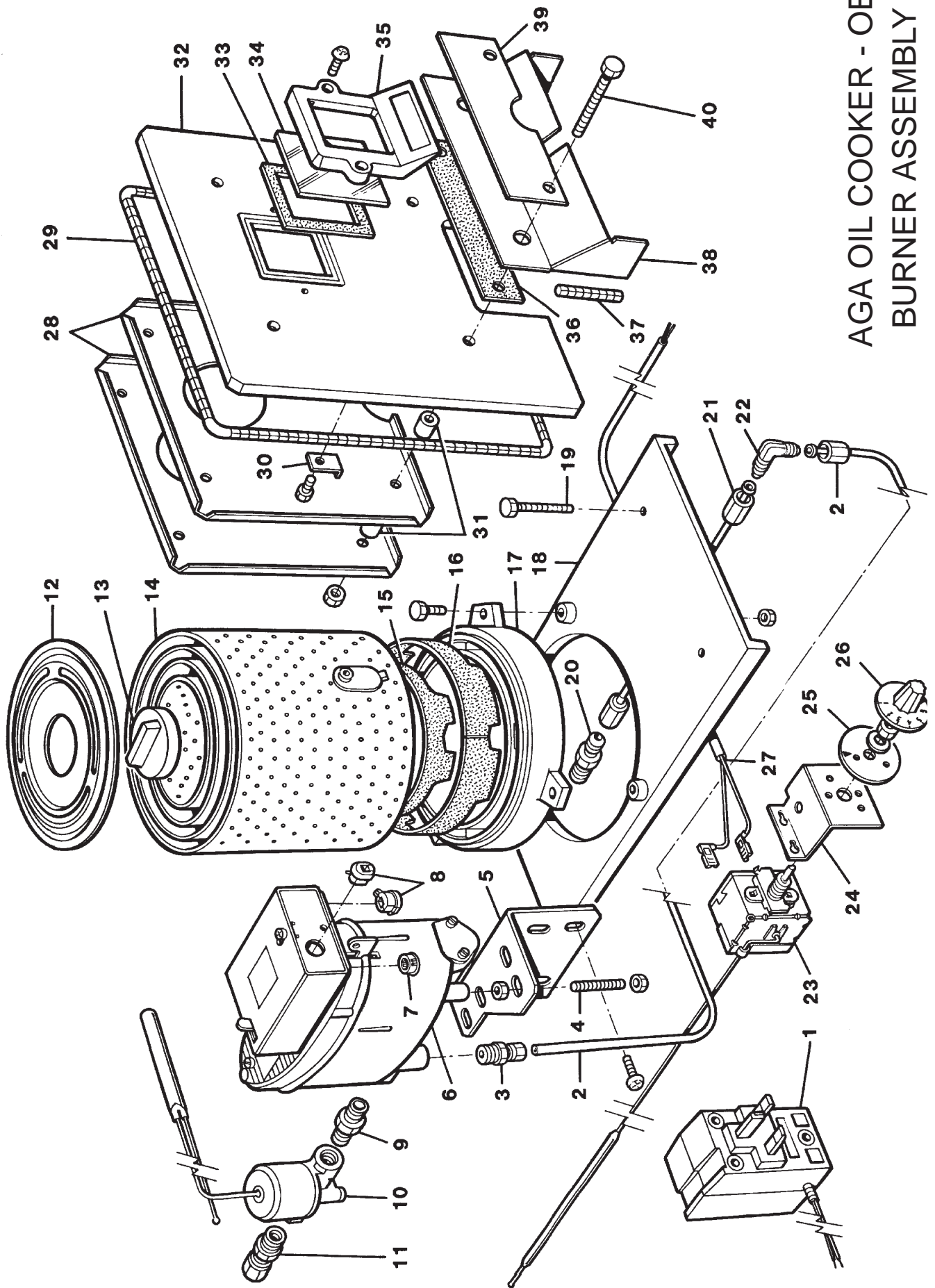


AGA OIL COOKER (OE) MODEL

SPARE PARTS MANUAL

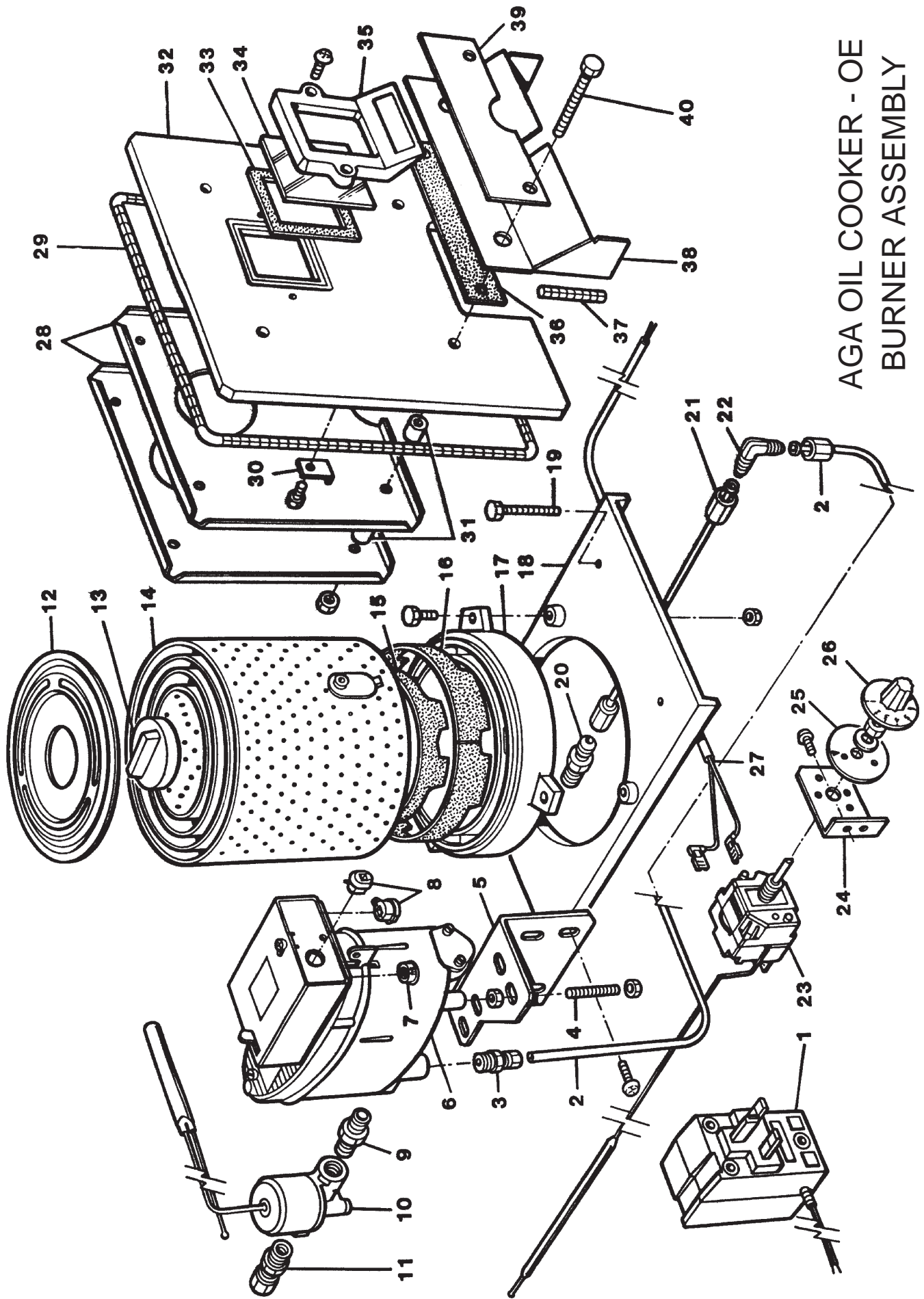


AGA OIL COOKER - OE
 BURNER ASSEMBLY
 (UP TO MAY 2000)

**AGA OIL COOKER - OE
BURNER ASSEMBLY (UP TO MAY 2000)**

OCTOBER 2010

ITEM No.	CAT No.	DESCRIPTION	PRODUCT CODE
1	A2442	TRANSFORMER - C/W CABLE	AO4M220045
2	A2518	TUBE 6mm O/D x 2M - FLARED ONE END	AO4M220040
3	R1395	1/4 BSP x 6mm COUPLING	RO4M27544
4	R4509	M8 x 50mm LG ALLTHREAD	KSTD50506
5	R2655	OIL CONTROL V/V - SUPPORT BRACKET	RO2V320137
6	A2309	VALVE C/W FLEXI TOP & COUPLINGS - FROM M09-100	AO9M997983
6A	A5559	ELECTRIC TOP ONLY - FROM M09-100 (REPLACES AO2M220022 - FOR SPARES)	AO4M997900
9	A1501	1/4" BSP M & M NIPPLE HEX O/L	AO4M35670
10	A1516	FIRE V/V - TYPE C/150 1/4" BSPOC	AO4M220685
11	R1392	1/4" x 10mm COUPLING	RO4M27540
12	A2951	BURNER SHELL - LID	AO2M220011
13	A2433	LID - DEEP WELL BURNER BASE	AO4M220030
14	A2439	BURNER SHELLS - SET	AO4M220041
	A2528	WICK SET - OIL BURNERS	AO4M220047
17	A2441	BASE - OIL BURNER	AO4M220024
18	A1528	BURNER SUPPORT PLATE	AO5M2-713
19	R4649	SCREW M6 x 60 LG HEX HD	KHEX500031
20	A2417	1/4" MALE NIPPLE x 6mm O/D	AO4M220038
21	A2431	OIL FEED LEG C/W SLEEVE & NUT	AO4M220037
22	A2432	ELBOW 6mm x 6mm FLARED	AO4M220039
23	A1519	THERMOSTAT C26" 54" RANCO	AO4T46350
24	A2191	THERMOSTAT SUPPORT BRACKET	AO2V93082
25	A1495	ESCUTCHEONS REF. 814/1/202	AO4M29000
26	A3898	KNOB - RANCO	AO4M220090
27	A2481	THERMOSTAT CABLE ASSY	AO4M220063
28	A3522	INNER FIREDOOR BAFFLE PLATE	AO2M220096
29	R5288	ROPE 8mm x 760 LG	JTHR20391
30	A5664	BURNER DOOR MTG BRACKETS	AO2M220032
31	A2331	BAFFLE PLATE DISTANCE PIECE	AS4M28060
32	NCA	INNER FIREDOOR - UP TO M06-183	AO5M2-688
32A	A5221	INNER FIREDOOR ASSY - FROM M06-183	AO1M220654
33	A2255	GASKET SIGHTGLASS	JGSG33910
34	A2254	INNER FIREDOOR GLASS PANEL	AO4M37370
35	NCA	GLASS PANEL RETAINING PLATE	AO5V4-573
36	A3785	GASKET PERMANITE	JGSG30500
37	A2290	ROPE 12mm x 3mm x 100 mm LG	JTHR20394
38	A1480	PHIAL PROTECTIVE COVER	AO2M220003
39	A4735	BURNER DOOR WARNING LABEL	EGLL220031
40	NCA	SCW M6 x 50 HEX SET Z/P	KHEX50918

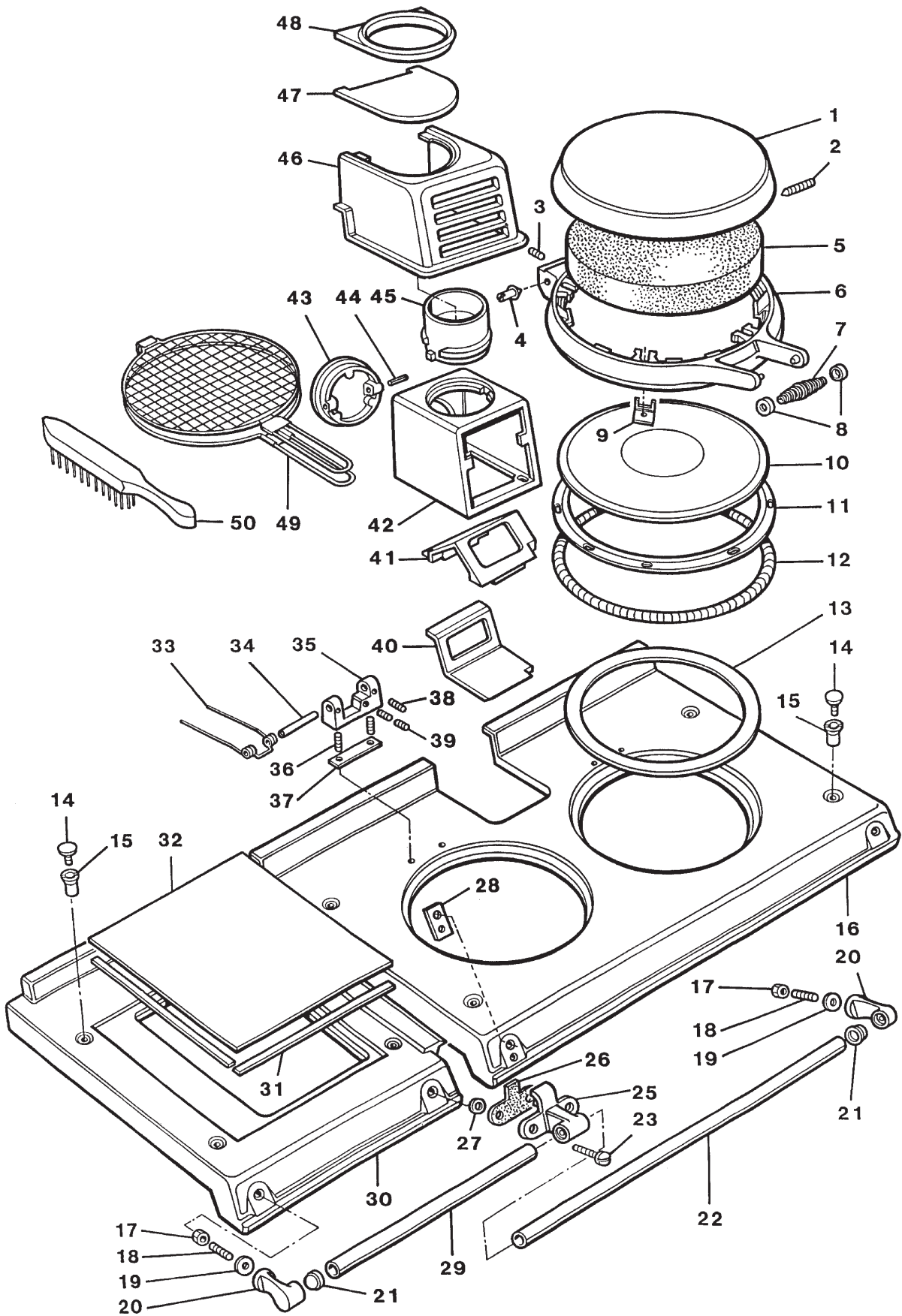


AGA OIL COOKER - OE
 BURNER ASSEMBLY
 (FROM MAY 2000)

**AGA OIL COOKER - OE
BURNER ASSEMBLY (FROM MAY 2000)**

OCTOBER 2010

ITEM No.	CAT No.	DESCRIPTION	PRODUCT CODE
1	A2442	TRANSFORMER - C/W CABLE	AO4M220045
2	A2518	TUBE 6mm O/D x 2m FLARED ONE END	AO4M220040
3	R1395	1/4 BSP x 6mm COUPLING	RO5M27544
4	R4509	M8 x 50mm LG ALLTHREAD	KSTD50506
5	R2655	OIL CONTROL V/V - SUPPORT BRACKET	RO2V320137
6	A2309	VALVE C/W FLEXI TOP & COUPLINGS - FROM M09-100	AO9M997983
6A	A5559	ELECTRIC TOP ONLY - FROM M09-100 (REPLACES AO2M220022 - FOR SPARES)	AO4M997900
9	A1501	1/4" BSP M & M HEX NIPPLE O/L	AO4M35670
10	A1516	FIRE V/V - TYPE C/150 1/4" BSPOC	AO4M220685
11	R1392	1/4" x 10mm COUPLING	RO4M27540
12	A2951	BURNER SHELL - LID	AO2M220011
13	A2433	LID - DEEP WELL BURNER BASE	AO4M220030
14	A2439	BURNER SHELLS - SET	AO4M220041
	A2528	WICK SET - OIL BURNERS	AO4M220047
17	A2441	BASE - OIL BURNER	AO4M220024
18	A3721	BURNER SUPPORT PLATE	AO5M220163
19	R4649	SCREW M6 x 60 LG HEX HD	KHEX500031
20	A2417	1/4" MALE NIPPLE x 6mm O/D	AO4M220038
21	A2431	OIL FEED LEG C/W SLEEVE & NUT	AO4M220037
22	A2432	ELBOW 6mm x 6mm FLARED	AO4M220039
23	A3722	THERMOSTAT - UP TO M05-180	AO4T220162
23A	A4912	THERMOSTAT - FROM M05-180	AO4T220574
24	A3790	THERMOSTAT MOUNTING BRACKET	AO2M220142
25	A1495	ESCUTCHEONS REF. 814/1/202	AO4M29000
26	A3898	KNOB - RANCO	AO4M220090
27	A2481	THERMOSTAT CABLE ASSY	AO4M220063
28	A3522	INNER FIREDOOR BAFFLE PLATE	AO2M220096
29	R5288	ROPE 8mm x 760 LG	JTHR20391
30	A5664	BURNER DOOR MTG BRACKETS	AO2M220032
31	A2331	BAFFLE PLATE DISTANCE PIECE	AS4M28060
32	A1526	INNER FIREDOOR - UP TO M06-183	AO5M2-688
32A	A5221	INNER FIREDOOR ASSY - FROM M06-183	AO1M220634
33	A2255	GASKET SIGHTGLASS	JGSG33910
34	A2254	INNER FIREDOOR GLASS PANEL	AO4M37370
35	NCA	GLASS PANEL RETAINING PLATE	AO5V4-573
36	A3785	GASKET PERMANITE	JGSG30500
37	A2290	ROPE 12mm x 3mm x 83mm LG	JTHR20394
38	A1480	PHIAL PROTECTIVE COVER	AO2M220003
39	A4735	BURNER DOOR WARNING LABEL	EGLL220031
40	NCA	SCW M6 x 50 HEX SET Z/P	KHEX50918

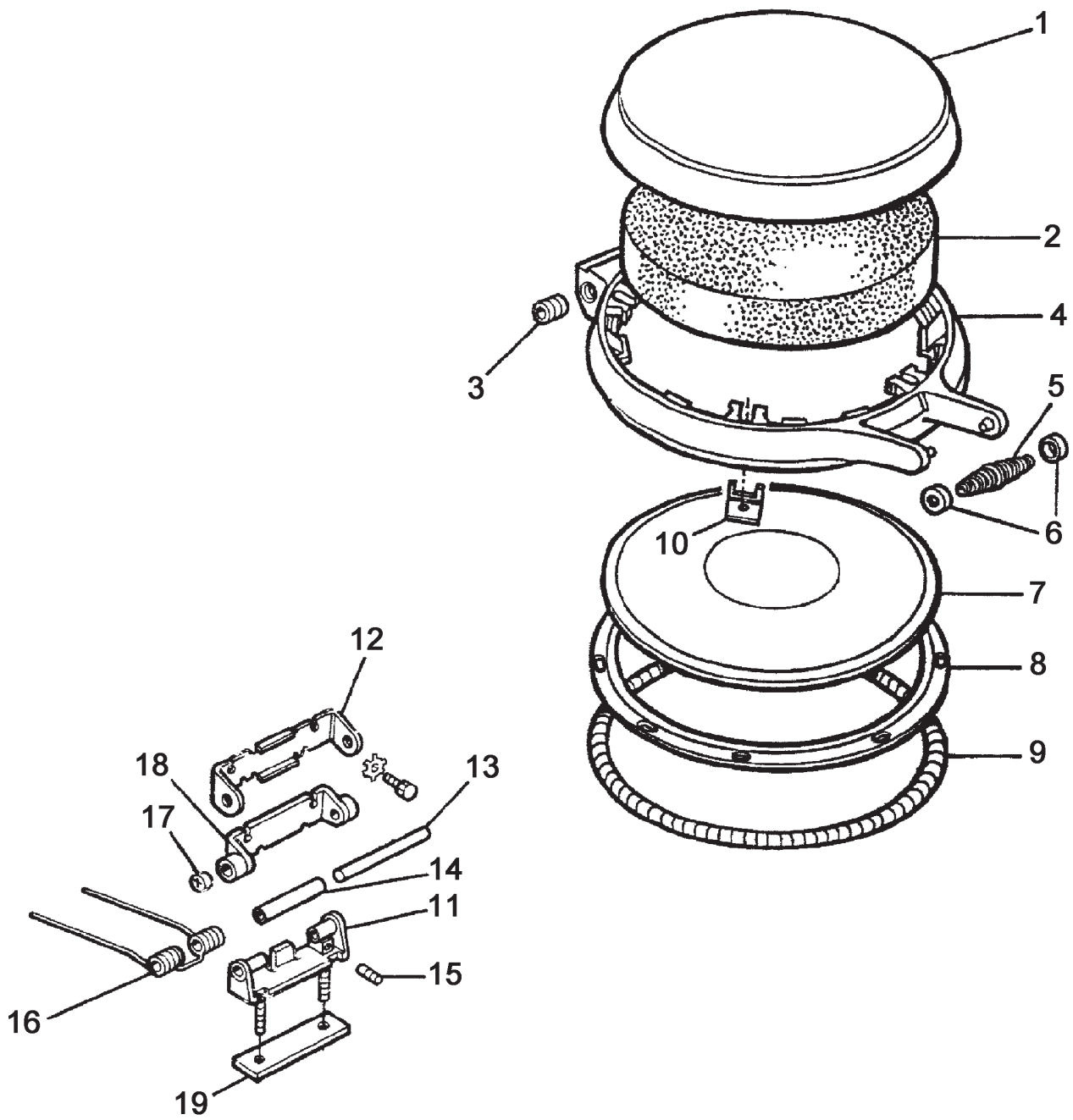


AGA OIL COOKER - OE
 TOP PLATES
 AGA HINGES & INSULATING LIDS (UP TO M05-008)

**AGA OIL COOKER - OE
TOP PLATES & INSULATING LIDS**

OCTOBER 2010

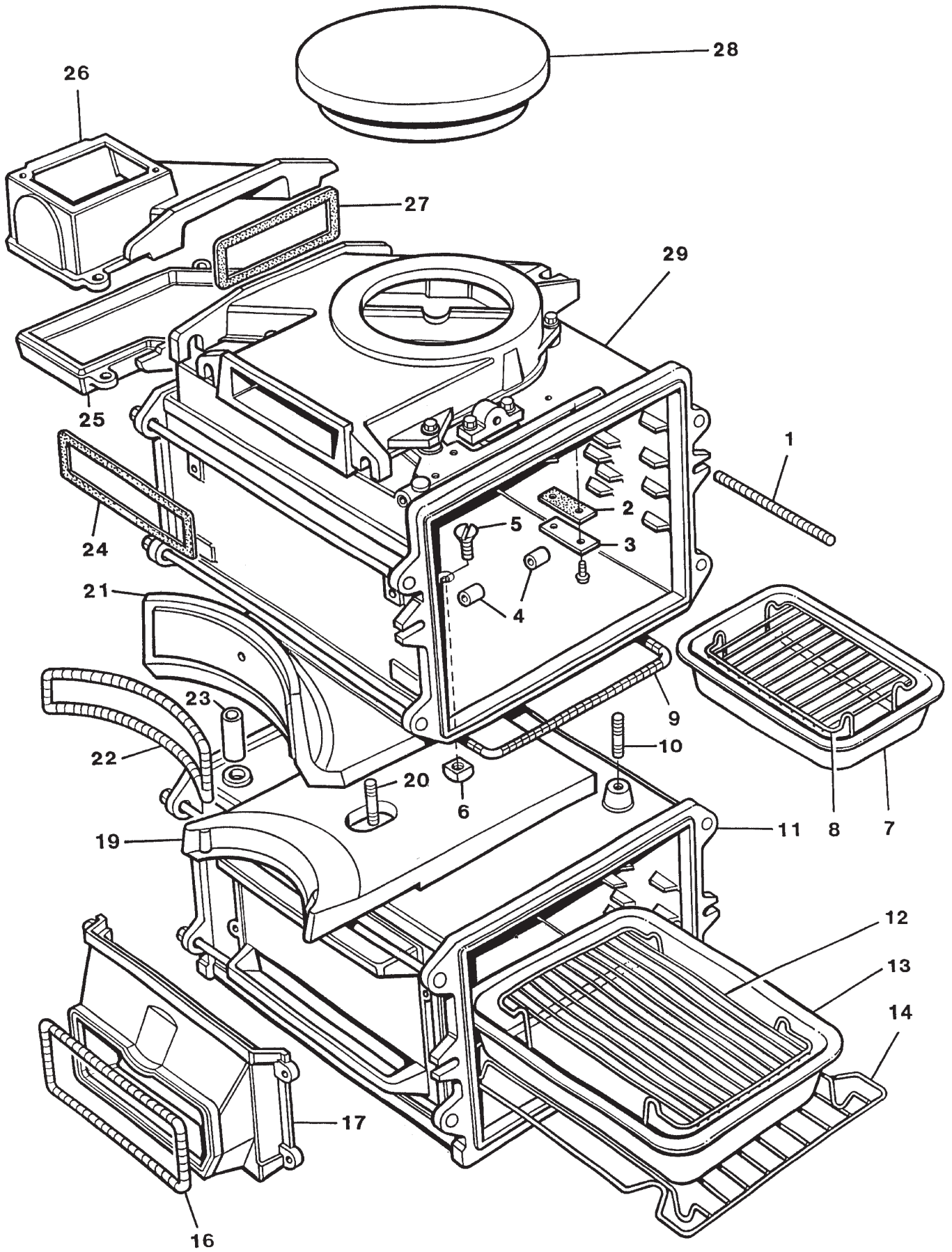
ITEM No.	CAT No.	DESCRIPTION	PRODUCT CODE
1	A3614	ST/STEEL INSULATING LID COVER	AG4M210905-K
	NCA	INSULATING LID (CI) - NOT SHOWN (95/98)	AG5E210387
	NCA	INSULATING LID (CI) - NOT SHOWN (98 ONWARDS)	AG5E210864
	NCA	INSULATING LID (CHROME) - NOT SHOWN	AG4M28101
	NCA	STEEL DOME ASSY COMPLETE	AG1M210917
2	A3283	GRUB SCREW SKT M10 x 25mm LG	KGRB500445
3	A2583	M6 x 6mm LG SKT GRUB CUP PNT GRUB	KGRB500437
4	A3501	ADJUSTABLE PIVOT BEARING	AG4M210620
5	A5074	DOME INSULATION PAD - 50mm	JPAD211934
6	A3511	INSULATING LID OUTER RING	AG5E210862
7	R3028	COIL HANDLE	RO4M340522
8	R3029	INSULATING LID HANDLE CUPS	RO4M340521
9	A3636	DOME CLAMPING BRACKET (S/S LIDS ONLY)	AG4M210904
10	A1632	INSULATING LID LINING RH	AS4M34760
11	A1647	INNER HOLDING RING	AS4M40980
12	A1863	DOME SEALING ROPE	JMAR20410
13	A1342	INSULATING RING	AG5M210840
14	A2119	CORNER STAY BUTTON 5/16" BSW	AG4M210228
15	A2123	CORNER STAY NUT 5/16 BSW	AG4M210244
16	A2246	TOP PLATE	AG5E210167
17	R2630	NUT M8 x 35 LG	KNUT53061
18	A4192	ALLTHREAD M8 x 35 LG	KSTD500010
19	A3664	WASHER M8 I/D SHAKEPROOF S/S	KWSR53346
20	A2314	HANDRAIL BRACKET	AG4M210853
21	A2975	VINYL END CAP (4-OFF)	AG4M210660
22	A2414	HANDRAIL EXTENDED COOKER	AG4M210445
23	A3109	SCREW - HANDRAIL JOINTING	KMIS500305
25	A3622	BRACKET - HANDRAL JOINTING	AG4M210854
26	A2532	GASKET - HANDRAIL JOINTING	JGSG210523
27	A3044	JOINTING BRACKET WASHER	JWSR210469
28	A3738	HANDRAIL BRACKET PLATE	AG2M210467
29	A2415	HANDRAIL 25.4 DIA HOTCUPBOARD	AG4M210446
30	A2457	TOP PLATE - HOT CUPBOARD	AG5E210391
31	A3446	SEALING STRIP SHORT - H/PLATE	JGSG210483
	A3445	SEALING STRIP LONG - H/PLATE	JGSG210482
32	A2474	HOTCUPBOARD HOTPLATE	AG9M210402COMP
33	A3117	HINGE SPRING (ST/ST LID)	AG9M998347
	A3118	HINGE SPRING (CAST IRON LID) - NOT SHOWN	AG9M998348
34	A3134	HINGE SPINDLE	AG4M210775
35	A3184	HINGE BLOCK	AG5E210860
36	A2081	M6 x 25mm STUD	AG4M211021
37	A2589	HINGE BLOCK GASKET	JGSG210477
38	A2583	M6 x 6mm LG SKT GRUB SCREW	KGRB500437
39	A4101	M6 x 10mm LG SKT GRUB SCREW	KGRB50512
40	A1533	FLUE CHAMBER DIVERTER PLATE	AO5M220343
41	A1532	DIVERTER PLATE F/C (FOR REAR FLUE OUTLET)	AO5M220344
	A1596	FLUE CHAMBER COMPLETE (INCLUDES ITEMS 42, 43, 44 & 45)	AO9M81619COMP
42	A1536	FLUE CHAMBER	AO4M200038
43	A1538	FLUE CHAMBER BLANKING DISC	AO5M83142
44	A4506	5/32" DIA x 1" ROLL PIN	KCTR37861
45	A1537	FLUE CHAMBER NOZZLE	AO5M83141
46	A2239	SHROUD	AO5E220023
47	A2222	SHROUD FILLER PLATE	AG5E210262
48	A1521	SHROUD FILLER RING	AO5E83953
49	A1843	TOASTER	EACS47380
50	A1841	WIRE BRUSH	EACS23230



AGA HINGES & INSULATING LIDS
FROM MOD CHANGE M05-008

AGA OIL COOKER - OE **OCTOBER 2010**
HINGES & INSULATING COVERS **FROM MOD CHANGE M05-008**

ITEM No.	CAT No.	DESCRIPTION	PRODUCT CODE
1	A3614	ST/STEEL INSULATING LID COVER	AG4M210905-K
	NCA	INSULATING LID CI (NOT SHOWN)	AG5E211528
	A4637	ST/STEEL DOME ASSEMBLY - COMP.	AG1M211766
	A4639	CI DOME ASSEMBLY - COMP. (NOT SHOWN)	AG1M211765
2	A5074	DOME INSULATION PAD - 50mm	JPAD211934
3	A4816	M12 x 16 GRUB SCREW	KGRB500520
4	A4825	INSULATING LID OUTER RING	AG5E211310
5	R3028	COIL HANDLE	RO4M340522
6	R3029	INSULATING LID HANDLE CUPS	RO4M340521
7	A1632	INSULATING LID LINING - RH	AS4M34760
8	A1647	RING SECURING DOME	AS4M40980
9	A1863	DOME SEALING ROPE	JMAR20410
10	A3636	DOME CLAMPING BRKTS - ST/ST LIDS ONLY	AG4M210904
11	A4641	HINGE ASSY WITHOUT SPRING	AG4M211742
11A	A4642	HINGE ASSY WITH SPRING - VE (UP TO M06-170)	AG4M211743
11B	A5157	HINGE ASSY - VE LIDS - FROM M06-170	AG4M211921
12		PART OF ITEM 11 & 11A	
13		PART OF ITEM 11 & 11A	
14	NCA	SPINDLE SLEEVE (PART OF ITEM 11 & 11A)	AG4M997030
15	A5404	SCREW M5 x 16 LG GRUB	KGRB500521
16	A3646	SPRING (PART OF ITEM 11A/B)	AG4M210774
17	A4658	ADJUSTER (PART OF ITEM 11 & 11A)	AG4M997031
18		PART OF ITEM 11 & 11A	
19	A2589	HINGE BLOCK GASKET	JGSG210477
19A	NCA	GASKET HINGE BLOCK - VE LIDS - FROM M06-170	JGSG211914

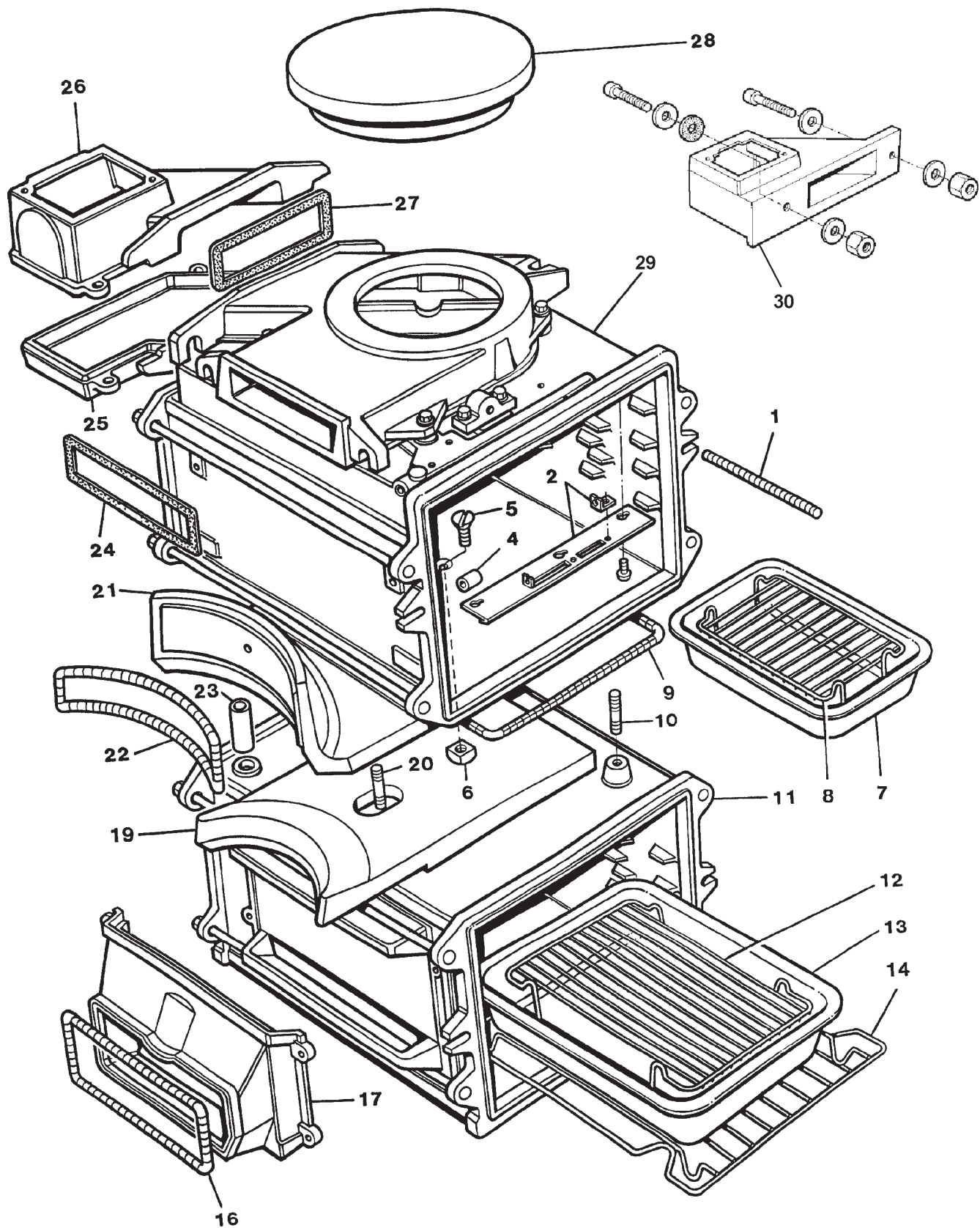


AGA OIL COOKER - OE
 OVENS, ACCESSORIES & SIMMERING PLATE
 (UP TO MAY 2000)

**AGA OIL COOKER - OE
OVENS, ACCESSORIES & SIMMERING PLATE (UP TO MAY 2000)**

OCTOBER 2010

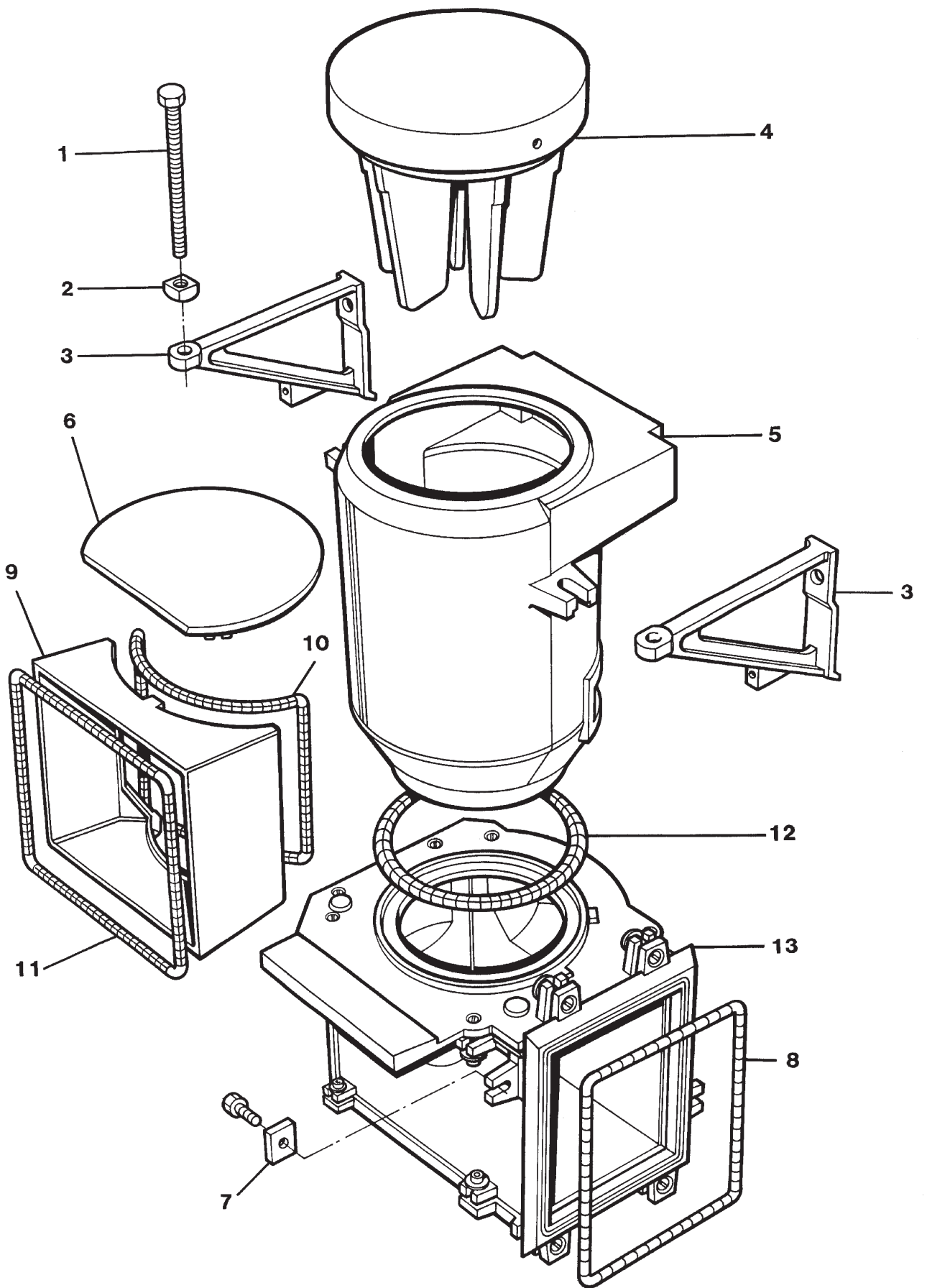
ITEM No.	CAT No.	DESCRIPTION	PRODUCT CODE
1	A3625	ALLTHREAD M8 x 118 LG	KSTD210019
2	A1861	GASKET - PHIAL INS STRIP	JGSG46940
3	A1512	THERM PHIAL SUPPORT BRACKET	AO2M220126
4	A2394	TUBE PAPER (2-OFF) (PHIAL)	AO4M48060
5	A2068	SCW CSK HD M12 x 30mm	KCSK500018
6	A3639	NUT M12 SQ	KNUT500013
7	A3284	ROASTING TIN - SMALL	EMTY530217
8	A2312	GRILL RACK - SMALL	AG4M210269
9	A2961	SEALING ROPE 9mm DIA x 1165 LG	JTHR220116
10	NCA	SCREW M12 x 40 mm CUP SKT HD	KGRB500338
11	A1827	BAKING OVEN ASSY - COMP	AS9O81105COMP
12	A2313	GRILL RACK - LARGE	AG4M210268
13	A3285	ROASTING TIN - LARGE	EMTY530218
14	A1282	OVEN GRID SHELF	AE4M211863
16	R5627	ROPE 13mm DIA x 2m	JTHR997624
17	A2029	LH SIDE PLATE FILLER HOUSING	AO5M2-683
19	A1524	BAKING OVEN HEAT CONDUCTING PLATE	AO5M2-682
20	NCA	SCREW M12 x 40mm CUP SKT HD	KGRB500338
21	NCA	TOP OVEN HEAT CONDUCTING PLATE	AX5M210478
22	A1856	ROPE 10mm x DIA x 762 LNG	JCRP20403
23	NCA	BOTTOM OVEN VENT PIPE	AO4M220058
24	A2308	GASKET - OUTER BARREL	JGSG210327
25	A1344	BOTTOM HALF - FLUE MANIFOLD	AG5M81621
26	A1343	TOP HALF - FLUE MANIFOLD	AG5M211192
27	A2306	FLUE MANIFOLD GASKET	JGSG210328
28	A1527	SIMMERING PLATE	AO5M2-695
29	A1600	ROASTING OVEN ASSEMBLY	AO1M-OCB-RO



AGA OIL COOKER - OE
 OVENS, ACCESSORIES & SIMMERING PLATE
 (FROM MAY 2000)

AGA OIL COOKER - OE **OCTOBER 2010**
OVENS, ACCESSORIES & SIMMERING PLATE (FROM MAY 2000)

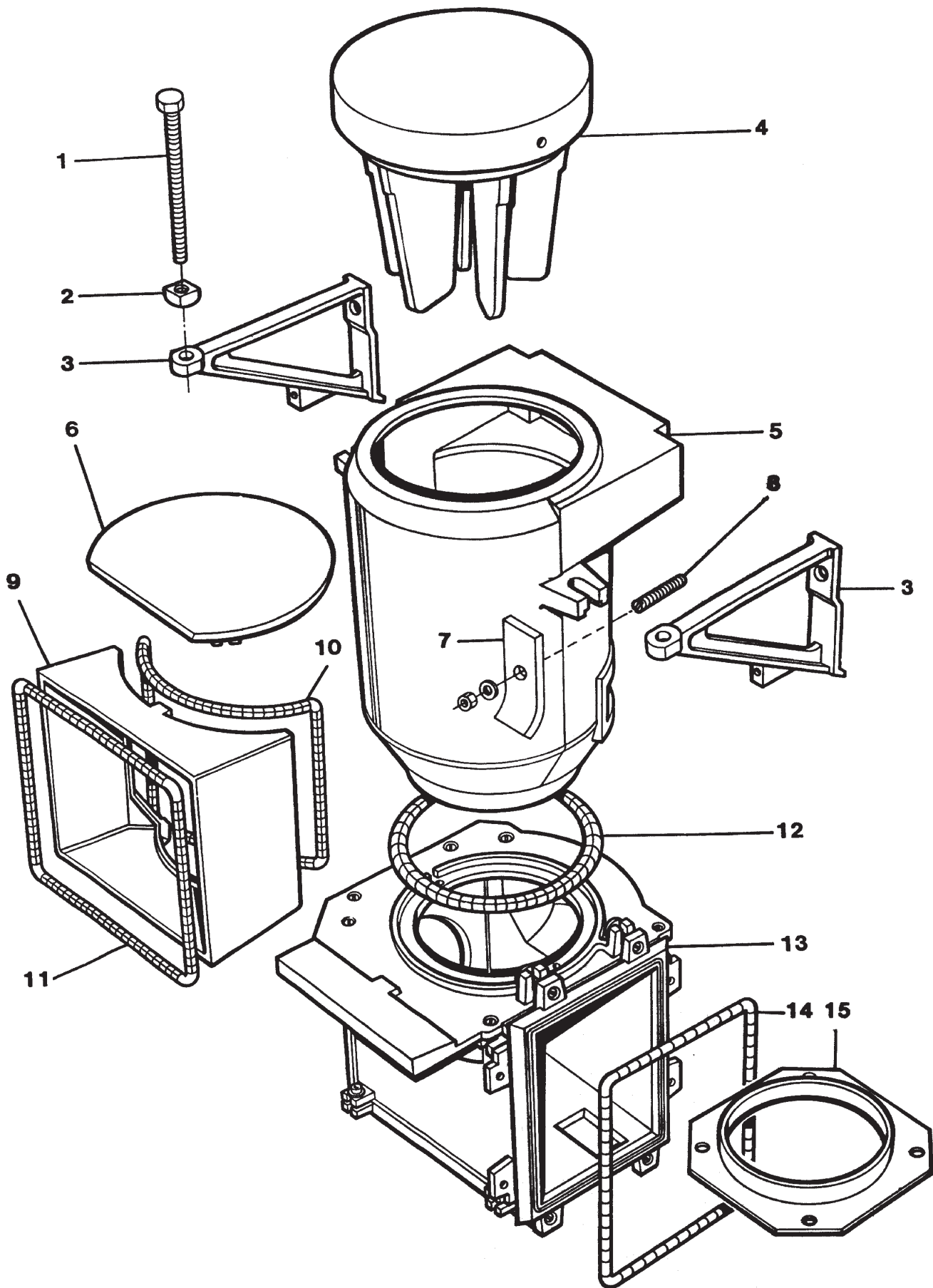
ITEM No.	CAT No.	DESCRIPTION	PRODUCT CODE
1	A3625	ALLTHREAD M8 x 118 LG	KSTD210019
2	A3723	STAT PHIAL SUPPORT ASSY	AO1M220145
2A	A3739	THERMOSTAT RETAINING BRACKET	AO2M220147
4	A2394	TUBE PAPER PHIAL (1-OFF)	AO4M48060
5	A2068	SCW CSK HD M12 x 30mm	KCSK500018
6	A3639	NUT M12 SQ	KNUT500013
7	A3284	ROASTING TIN - SMALL	EMTY530217
8	A2312	GRILL RACK - SMALL	AG4M210269
9	A2961	SEALING ROPE 9mm DIA x 1165 LG	JTHR220116
10	NCA	SCREW M12 x 40mm CUP SKT HD	KGRB500338
11	A1827	BAKING OVEN ASSY - COMP	AS9O81105COMP
12	A2313	GRILL RACK - LARGE	AG4M210268
13	A3285	ROASTING TIN - LARGE	EMTY530218
14	A1282	OVEN GRID SHELF	AE4M211863
16	R5627	ROPE 13mm DIA x 2m	JTHR997624
17	A2029	LH SIDE PLATE FILLER HOUSING	AO5M2-683
19	A2141	BAKING POVEN HEAT CONDUCTING PLATE	AG5M210165
20	NCA	SCREW M12 x 40mm CUP SKT HD	KGRB500338
21	A2656	TOP OVEN HEAT CONDUCTING PLATE	AG5M210486
22	A1856	ROPE 10mm DIA x 762 LNG	JCRP20403
23	A2929	BOTTOM OVEN VENT PIPE	AG4M210488
24	A2308	FIRE BARREL GASKET	JGSG210327
25	NCA	BOTTOM HALF - FLUE MANIFOLD - SEE 30	AG5M211211
26	NCA	TOP HALF - FLUE MANIFOLD - SEE 30	AG5M211192
27	A2306	FLUE MANIFOLD GASKET	JGSG210328
28	A1527	SIMMERING PLATE	AO5M2-695
29	A3537	ROASTING OVEN ASSEMBLY	AG1M-RO-NF
30	A2662	FLUE MANIFOLD COMPLETE	AG9M998911



AGA OIL COOKER - OE
 HOTSPOT, FIRE BARREL & BURNER CHAMBER ASSEMBLY
 (UP TO MAY 2000)

HOTSPOT, FIRE BARREL AND BURNER CHAMBER ASSEMBLY (UP TO MAY 2000)

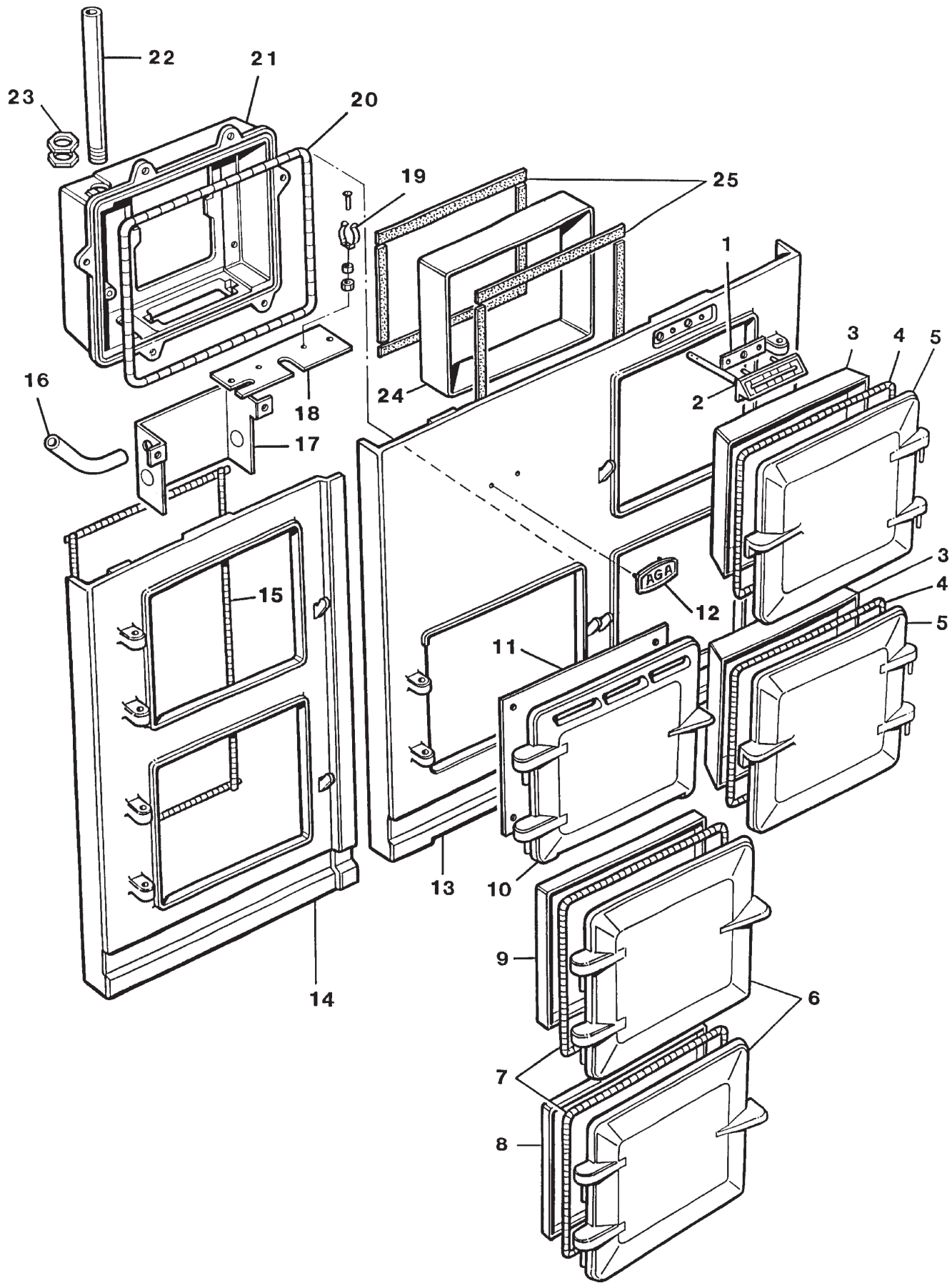
ITEM No.	CAT No.	DESCRIPTION	PRODUCT CODE
1	A1800	BARREL BOLT & NUT SET (INCLS ITEM 2)	AS9M52960PR
2			
3	A1346	OUTER BARREL BRCKET	AG5M211047
4	A1522	LH HOT SPOT	AO4M1-386
5	A2419	OUTER BARREL - ONE PIECE	AG4M210442
6	A1525	FIRE BARREL BAFFLE	AO5M220647
7	NCA	WASHER INSULATION	JWSR210329
8	NCA	ROPE 7mm x 980 LG SEALING	JTHR20390
9	A1683	HEATER CASTING	AX5M211130
10	NCA	ROPE 20mm DIA x 1067mm LG	JCRP20398
11	R5627	ROPE 13mm DIA x 2m	JTHR997624
12	A1854	ROPE SEALING 20 DIA x 1525 LG	JTHR20402
13	A2382	BURNER CHAMBER ASSEMBLY	AG1M-GE-OE-BC



AGA OIL COOKER - OE
 HOTSPOT, FIRE BARREL & BURNER CHAMBER ASSEMBLY
 (FROM MAY 2000)

HOTSPOT, FIRE BARREL AND BURNER CHAMBER ASSEMBLY (FROM MAY 2000)

ITEM No.	CAT No.	DESCRIPTION	PRODUCT CODE
1	A1800	BARREL BOLT & NUT SET (INCLS ITEM 2)	AS9M52960PR
2			
3	A1346	OUTER BARREL BRACKET	AG5M211047
4	A1522	LH HOT SPOT	AO4M1-386
5	A2419	OUTER BARREL - ONE PIECE	AG4M210442
6	A1525	BAFFLE PLATE - PLAIN	AO5M220647
7	A3166	BARREL FIXING CLAMP	AG2M210485
8	A3289	BARREL FIXING STUD	KSTD210489
9	A1683	HEATER CASTING	AG5M211130
10	NCA	ROPE 20mm DIA x 1067mm LG	JCRP20398
11	R5627	ROPE 13mm DIA x 2m LG	JTHR997624
12	A1854	ROPE SEALING 20 DIA x 1178	JCRP20402
13	A2430	BURNER CHAMBER ASSY	AG1M-BC-NF
14	A2130	ROPE 7mm x 980 LG SEALING	JTHR20450
15	A2648	OUTER BARREL SEALING RING	AG2M210461

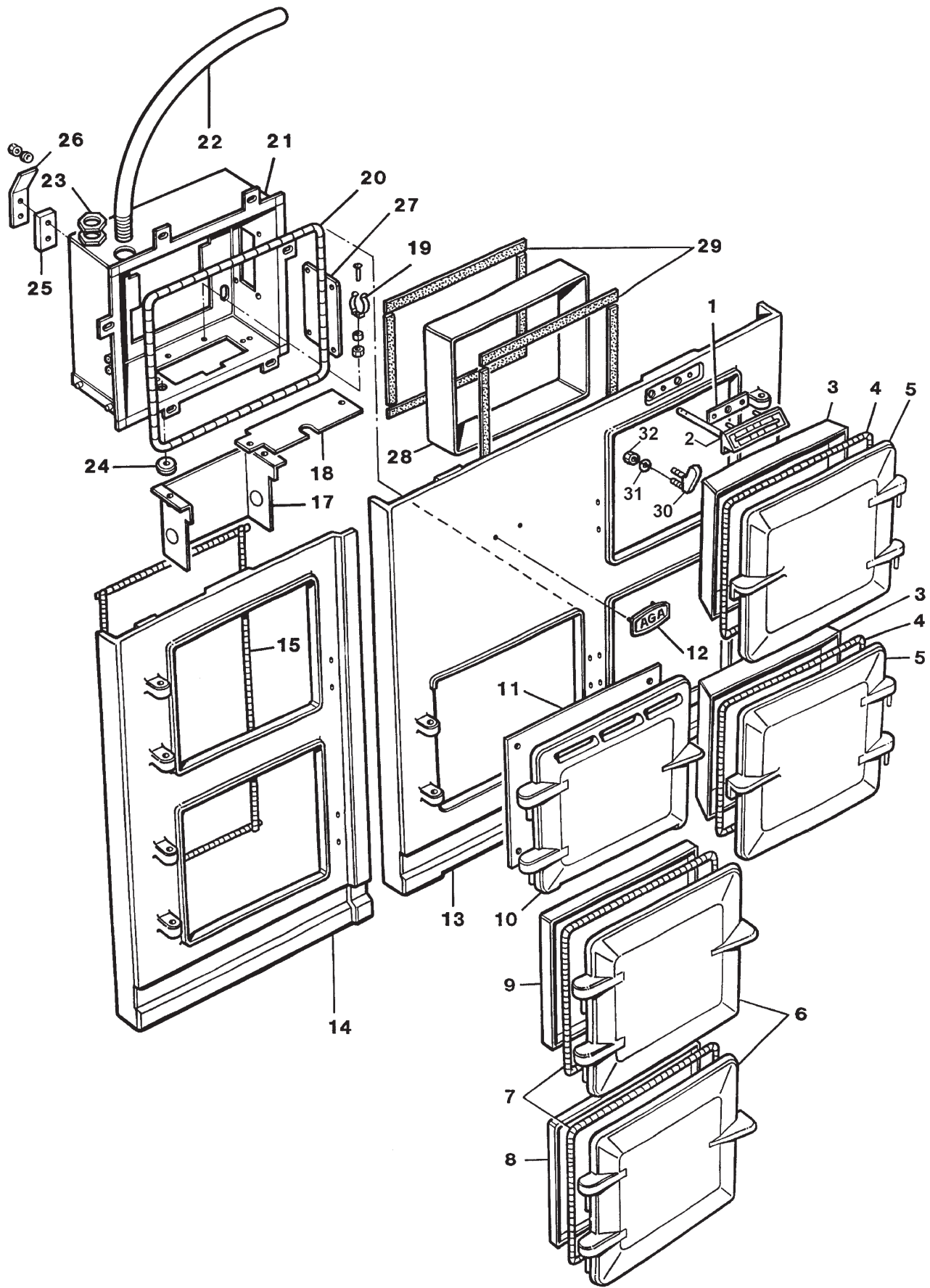


AGA OIL COOKER - OE
 FRONT PLATE & DOORS (UP TO MAY 2000)

**AGA OIL COOKER - OE
FRONT PLATES & DOORS (UP TO MAY 2000)**

OCTOBER 2010

ITEM No.	CAT No.	DESCRIPTION	PRODUCT CODE
1	A2115	THERMOMETER RETAINING PLATE - UP T- M10-102	A09M220004COMP
2	A1518	THERMOMETER - UP TO M10-102	AO4T46210
	R5627	BRANNAN HEAT INDICATOR & SPARES KIT (PRE M10-102)	AG9M996187
	NCA	LIQUID FILLED HEAT INDICATOR (FROM M10-102)	AE4T231182
3	A1482	COVER INSULATION	AO2M90347
4	R5627	No. 4 T/SEAL 13mm x 2m	JTHR997624
5	A1709	OVEN DOOR COMPLETE - TOP RH	AS9E1-9285E
5A	A1710	OVEN DOOR COMPLETE - BOTTOM RH	AS9E1-9285F
6	A1711	DOOR - HOT CUPBOARD TOP	AS9E1-9285G
6A	A1712	HOT CUPBOARD BOTTOM OVEN DOOR	AS931-9285H
7	R5627	No. 4 T/SEAL 13mm x 2m	JTHR997624
8	A1483	OVEN DOOR INSULATING LININGS SHALLOW	AO2M90348
9	A1483	OVEN DOOR INSULATING LININGS SHALLOW	AO2M90348
10	A2391	BURNER DOOR OUTER	AG1E2-753A
11	NCA	DATA PLAQUE - OE	AO4M220052
12	A2274	AGA BADGE	AG4M210184
	A2435	AGA BADGE - OLD STYLE (NOT SHOWN)	AG4M210341
13	NCA	FRONT PLATE - COOKER	AG5E210249
14	NCA	FRONT PLATE - HOT CUPBOARD	AG5E210281
15	A2290	ROPE SEAL 12W x 3 THK x 350	JTHR20394
	NCA	ROPE SEAL 12W x 3 THK x 350 BLACK - FROM M01-080	JTHR211146
	A2290	ROPE SEAL 12W x 3 THK x 642	JTHR20394
	NCA	ROPE SEAL 12W x 3 THK x 642 BLACK - FROM M01-080	JTHR211146
16	A1511	BURNER HOUSING CABLE SLEEVE	AO4M42440
17	A3907	BURNER HOUSING DUCT	AO2M220138
18	NCA	BURNER HOUSING COVER PLATE	AO2V93070
19	A1939	TERRY CLIP	KCLP26260
20	A3467	ROPE 5mm DIA x 1300 LG	JTHR210867
21	A1523	BURNER HOUSING	AO5M1-7281
22	A3433	CONDUIT PHIAL TUBE	AO4M48071
23	A2653	LOCKNUT 20mm COND LIGHT GAUGE	KNUT53261
24	A4784	OVEN INSULATING FRAME ASSEMBLY	AG4M211602
25	A2860	PYROTAPE	JTHR210645

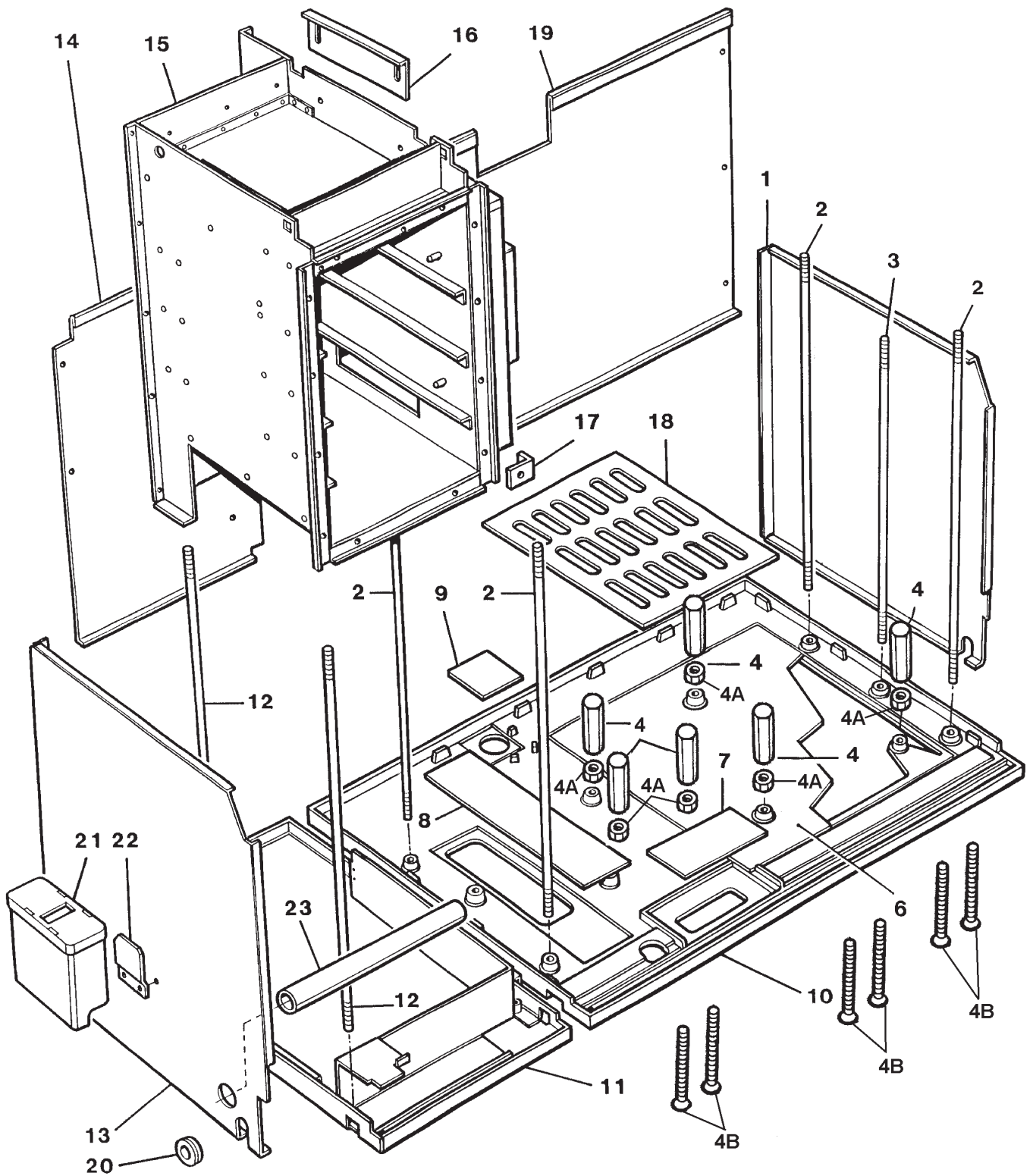


AGA OIL COOKER - OE
 FRONT PLATE & DOORS (FROM MAY 2000)

**AGA OIL COOKER - OE
FRONT PLATES & DOORS (FROM MAY 2000)**

OCTOBER 2010

ITEM No.	CAT No.	DESCRIPTION	PRODUCT CODE
1	A2115	THERMOMETER RETAINING PLATE - UP TO M10-102	AO9M220004COMP
2	A2157	THERMOMETER - UP TO M10-102	AG4T210257
	A5662	BRANNAN HEAT INDICATOR & SPARES KIT (PRE M10-102)	AG9M996187
	NCA	LIQUID FILLED HEAT INDICATOR (FROM M10-102)	AE4T231182
3	A1482	COVER INSULATION	AO2M90347
4	R5627	ROPE THERMOSEAL No. 4 x 1230 LG - UP TO M01-080	JTHR997624
5	A3935	ROPE T/S BLACK - TOP DOOR x 1230 - FROM M01-080	AG4M997916
5A	A1709	OVEN DOOR COMPLETE - TOP RH	AS9E1-9285E
6	A1710	OVEN DOOR COMPLETE - BOTTOM RH	AS9E1-9285F
6A	A1711	DOOR - HOT CUPBOARD - TOP	AS9E1-9285G
7	A1712	HOT CUPBOARD BOTTOM OVEN DOOR	AS9E1-9285H
	R5627	ROPE THERMOSEAL No. 4 x 1230 LG - UP TO M01-080	JTHR997624
8	A3936	ROPE T.S BLACK - BTM DOOR x 1205 - FROM M01-080	AG4M997917
9	A1483	OVEN DOOR INSULATING COVERS SHALLOW	AO2M90348
10	A1483	OVEN DOOR INSULATING COVERS SHALLOW	AO2M90348
11	A2391	BURNER DOOR OUTER	AG1E2-753A
12	A4184	LIGHTING INSTRUCTIONS	AO4M220287
	A2274	AGA BADGE	AG4M210184
13	A2435	AGA BADGE - OLD STYLE (NOT SHOWN)	AG4M210341
	NCA	FRONT PLATE - COOKER (UP TO M02-081)	AG5E210249
	A4383	FRONT PLATE (FROM M02-081)	AG5E211245
14	A5048	FRONT PLATE C/W DOORS (FROM M02-192)	AO1M220298
	NCA	FRONT PLATE - HOT CUPBOARD (UP TO M02-081)	AG5E210281
15	A4907	FRONT PLATE HOT CUPBOARD (FROM M02-081)	AG5E211243
	A4290	ROPE SEAL 12W x 3 THK x 350	JTHR20394
	NCA	ROPE SEAL 12W x 3 THK x 350 BLACK FROM M01-080	JTHR211146
	A4290	ROPE SEAL 12W x 3 THK x 642	JTHR20394
17	NCA	ROPE SEAL 12W x 3 THK x 642 BLACK - FROM M01-080	JTHR211146
18	A3907	BURNER HOUSING DUCT	AO2M220138
19	A3724	BURNER HOUSING COVER PLATE	AO2M220141
20	A1939	TERRY CLIP	KCLP26260
21	A3467	ROPE 5mm DIA x 1300 LG	JTHR210867
22	A3725	BURNER HOUSING	AO1M220136
23	A1293	CONDUIT PHIAL TUBE	AG4M211880
24	A3469	LOCKNUT 25mm COND LIGHT GAUGE	KNUT35275
25	R2719	GROMMET	RG4M31317
	A4349	BURNER DOOR RETAINING SPACER - UP TO M04-009	AO2M220144
26	A4348	BURNER DOOR RETAINING BRACKET - UP TO M04-009	AO2M220140
27			
28	A2178	ACCESS PLATE	AG2M210190
29	A4784	OVEN FRAME KIT	AG4M211602
30	A2860	PYROTAPE	JTHR210645
31	A3956	DOOR CATCH	AG4M250478
32	A4706	DOOR CATCH GASKET	JGSG211270
	A47047	LOCKING NUT	KNUT500485



AGA OIL COOKER - OE
 BASE, SIDES, BACK PLATES & HOTCUPBOARD

**AGA OIL COOKER - OE
BASE, SIDES, BACK PLATES & HOTCUPBOARD**

OCTOBER 2010

ITEM No.	CAT No.	DESCRIPTION	PRODUCT CODE
1	A2983	SIDE PLATE COOKER	AG2V210346
2	A2118	CORNER STAY ROD 5/16" BSW	AG4M210226
3	A2346	OVEN STAY ROD	AG4M41129
	A4266	BASE PLATE ASSY FASTENERS PACK (CONTAINS ITEMS 4, 4A & 4B)	AG4M211530
4	NCA	BURNER CHAMBER SUPPORT ADJUSTER	AO4M220259
4A	R5022	M12 HEX FULL NUT	KNUT53135
4B	NCA	M12 C/SNK SCREW x 100mm	KCSK500492
6	A2373	FILLER PIECE	AO2M210194
7	A4550	BASE FRONT FILLER PLATE - SMALL	AS2M90080R
8	A2374	RH BASE PLATE FILLER	AO2V210306
9	A3544	FLUE OUTLET BLANKING PLATE	AG2M210568
10	A2659	BASE PLATE	AG4M210560
11	A3186	BASE PLATE HOT CUPBOARD	AG1M210798
12	A2118	CORNER STAY ROD	AG4M210226
13	A2982	SIDE PLATE - HOT CUPBOARD	AG2V210345
14	A3260	BACK PLATE - HOT CUPBOARD	AG2M210657
15	A3262	HOTCUPBOARD OVEN SHELL ASSEMBLY	AG1M210796
16	A3261	AIR BAFFLE	AG2M210797
17	NCA	FRONT PLATE SPACING BKT (UP TO M02-109)	AG2M210517
	A4075	BRACKET STAND-OFF (FROM M02-109)	AG2V211283
18	A3647	OVEN DIVIDING SHELF (PERFORATED)	AO5V211617
19	A1612	BACK PLATE	AS2M200052
20	R2709	GROMMET - HELVIN	AO4M31370
21	A2403	OCV - COVER ASSY	AO2V220048
22	A3123	FIXING BRACKET - COVER OCV	AO2V220119
23	A2232	TUBE SAFETY VALVE GUIDE 713	AO2M48500