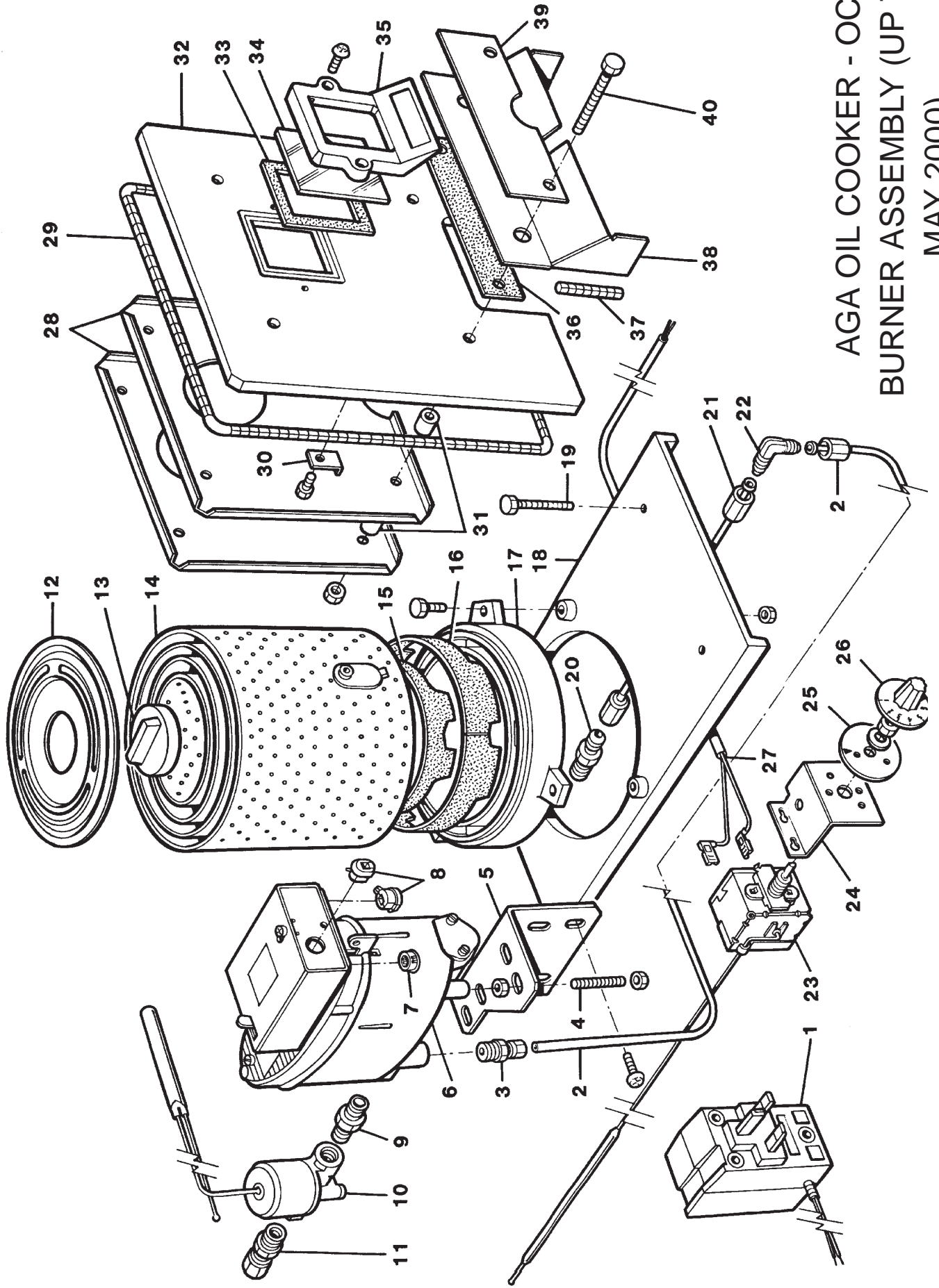


AGA OIL COOKER (OC) MODEL

SPARE PARTS MANUAL

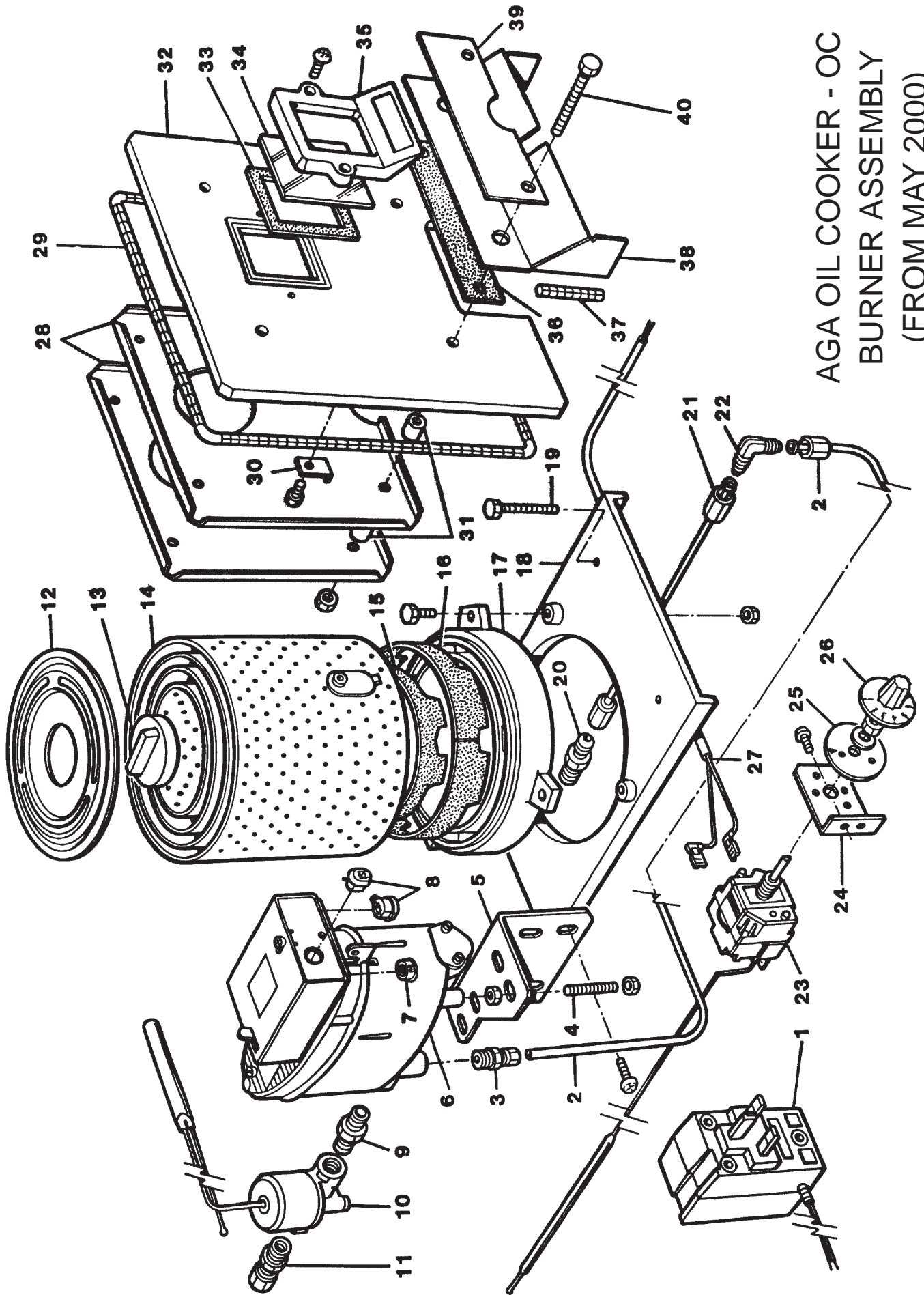


AGA OIL COOKER - OC
 BURNER ASSEMBLY (UP TO
 MAY 2000)

**AGA OIL COOKER - OC
BURNER ASSEMBLY (UP TO MAY 2000)**

OCTOBER 2010

ITEM No.	CAT No.	DESCRIPTION	PRODUCT CODE
1	A2442	TRANSFORMER - C/W CABLE	AO4M220045
2	A2518	TUBE 6mm O/D x 2M FLARED ONE END	AO4M220040
3	R1395	1/4 BSP x 6mm COUPLING	RO4M27544
4	R4509	M8 x 50mm LG ALLTHREAD	KSTD50506
5	R2655	OIL CONTROL V/V - SUPPORT BRACKET	RO2V320137
6	A2309	VALVE C/W FLEXI TOP & COUPLINGS - FROM M09-100	AO9M997983
6A	A5559	ELECTRIC TOP ONLY - FROM M09-100 (REPLACES AO2M220022 - FOR SPARES)	AO4M997900
9	A1501	1/4" BSP M & M NIPPLE HEX O/L	AO4M35670
10	A1516	FIRE V/V - TYPE C/150 1/4" BSPOC	AO4M220685
11	R1392	1/4" x 10mm COUPLING	RO4M27540
12	A2951	BURNER SHELL - LID	AO2M220011
13	A2433	LID - DEEPWELL BURNER BASE	AO4M220030
14	A2439	BURNER SHELLS - SET	AO4M220041
	A2528	WICK SET - OIL BURNERS	AO4M220047
17	A2441	BASE - OIL BURNER	AO4M220024
18	A1528	BURNER SUPPORT PLATE	AO5M2-713
19	R4649	SCREW M6 x 60 LG HEX HD	KHEX500031
20	A2417	1/4" MALE NIPPLE x 6mm O/D	AO4M220038
21	A2431	OIL FEED LEG C/W SLEEVE & NUT	AO4M220037
22	A2432	ELBOW 6mm x 6mm FLARED	AO4M220039
23	A1519	THERMOSTAT - RANCO	AO4T46350
24	A2191	THERMOSTAT BRACKET	AO2V93082
25	A1495	ESCUTCHEONS REF. 814/1/202	AO4M29000
26	A3898	KNOB - RANCO	AO4M220090
27	A2481	THERMOSTAT CABLE ASSY	AO4M220063
28	A3522	INNER FIREDOOR BAFFLE PLATE	AO2M220096
29	R5288	ROPE 8mm x 760 LG	JTHR20391
30	A5664	BURNER DOOR MTG BRACKETS	AO2M220032
31	A2331	BAFFLE PLATE DISTANCE PIECE	AS4M28060
32	NCA	INNER FIREDOOR - UP TO M06-183	AO5M2-688
32A	A5221	INNER FIREDOOR ASSY - FROM M06-183	AO1M220654
33	A2255	GASKET SIGHTGLASS	JGSG33910
34	A2254	INNER FIREDOOR GLASS PANEL	AO4M37370
35	NCA	GLASS PANEL RETAINING PLATE	AO5V4-573
36	A3785	GASKET PERMANITE	JGSG30500
37	A2290	ROPE 12mm x 3mm x 100mm LG	JTHR20394
38	A1480	PHIAL PROTECTIVE COVER	AO2M220003
39	A4735	BURNER DOOR WARNING LABEL	EGLL220031
40	NCA	SCW M6 x 50 HEX SET Z/P	KHEX50918

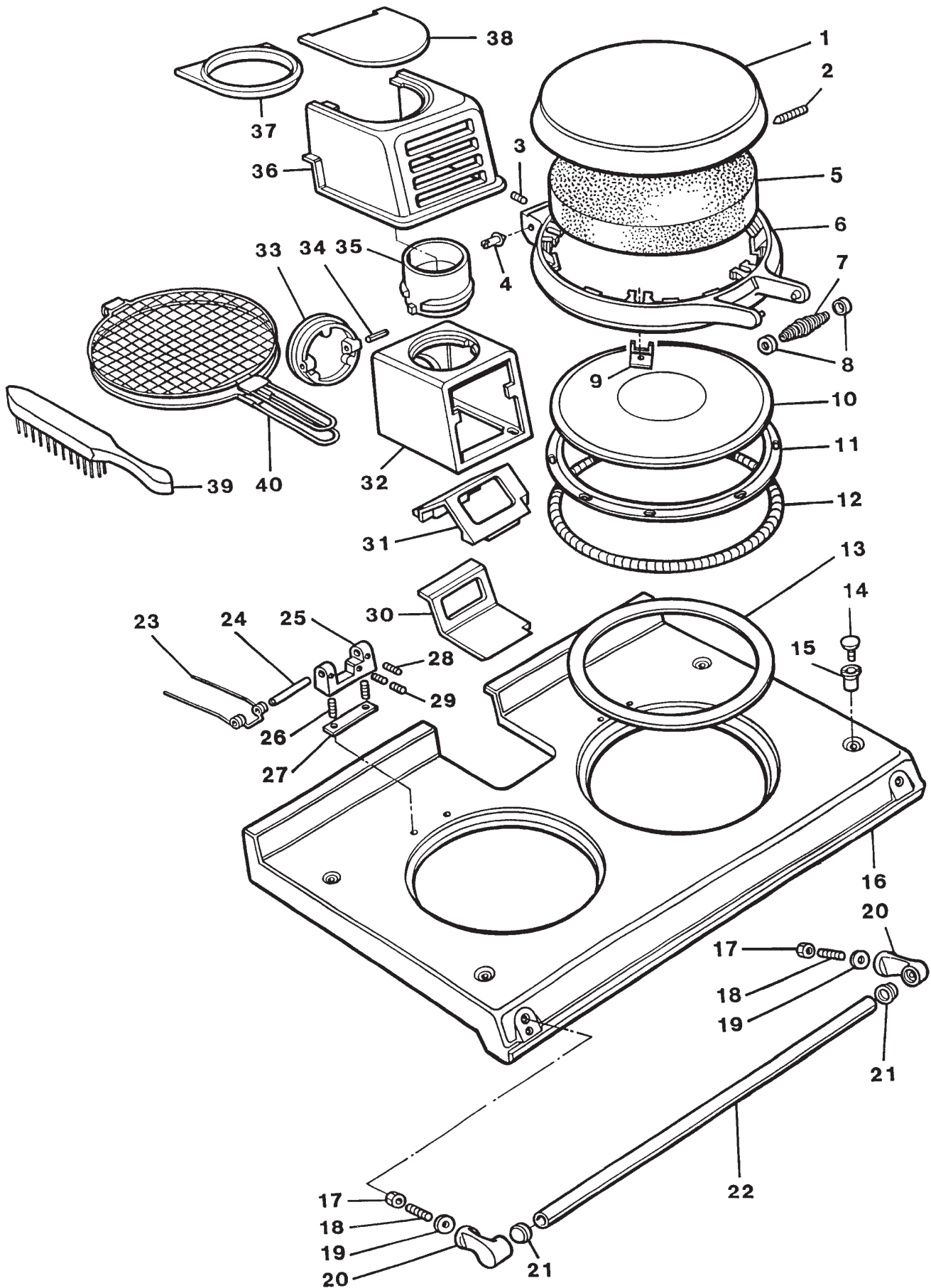


AGA OIL COOKER - OC
 BURNER ASSEMBLY
 (FROM MAY 2000)

**AGA OIL COOKER - OC
BURNER ASSEMBLY (FROM MAY 2000)**

OCTOBER 2010

ITEM No.	CAT No.	DESCRIPTION	PRODUCT CODE
1	A2442	TRANSFORMER - C/W CABLE	AO4M220045
2	A2518	TUBE 6mm O/D x 2m FLARED ONE END	AO4M220040
3	R1395	1/4 BSP x 6mm COUPLING	RO4M27544
4	R4509	M8 x 50mm LG ALLTHREAD	KSTD50506
5	R2655	OIL CONTROL V/V - SUPPORT BRACKET	RO2V320137
6	A2309	VALVE C/W FLEXI TOP & COUPLINGS - FROM M09-100	AO9M997983
6A	A5559	ELECTRIC TOP ONLY - FROM M09-100 (REPLACES AO2M220022 - FOR SPARES)	AO4M997900
9	A1501	1/4" BSP M & M NIPPLE HEX O/L	AO4M35670
10	A1516	FIRE V/V - TYPE C/150 1/4" BSPOC	AO4M220685
11	R1392	1/4" x 10mm COUPLING	RO4M27540
12	A2951	BURNER SHELL - LID	AO2M220011
13	A2433	LID - DEEP WELL BURNER BASE	AO4M220030
14	A2439	BURNER SHELLS - SET	AO4M220041
	A2528	WICK SET - OIL BURNERS	AO4M220047
17	A2441	BASE - OIL BURNER	AO4M220024
18	A3721	BURNER SUPPORT PLATE	AO5M220163
19	R4649	SCREW M6 x 60 LG HEX HD	KHEX500031
20	A2417	1/4" MALE NIPPLE x 6mm O/D	AO4M220038
21	A2431	OIL FEED LEG C/W SLEEVE & NUT	AO4M220037
22	A2432	ELBOW 6mm x 6mm FLARED	AO4M220039
23	A3722	THERMOSTAT - UP TO M05-180	AO4T220162
23A	A4912	THERMOSTAT - FROM M05-180	AO4T220574
24	A3790	THERMOSTAT MOUNTING BRACKET	AO2M220142
25	A1495	ESCUTCHEONS REF. 814/1/202	AO4M29000
26	A3898	KNOB - T'STAT	AO4M220090
27	A2481	THERMOSTAT CABLE ASSY	AO4M220063
28	A3522	INNER FIREDOOR BAFFLE PLATE	AO2M220096
29	R5288	ROPE 8mm x 760 LG	JTHR20391
30	A5664	BURNER DOOR MTG BRACKETS	AO2M220032
31	A2331	BAFFLE PLATE DISTANCE PIECE	AS4M28060
32	NCA	INNER FIREDOOR - UP TO M06-183	AO5M2-688
32A	A5221	INNER FIREDOOR ASSY - FROM M06-183	AO1M220654
33	A2255	GASKET SIGHTGLASS	JGSG33910
34	A2254	INNER FIREDOOR GLASS PANEL	AO4M37370
35	NCA	GLASS PANEL RETAINING PLATE	AO5V4-573
36	A3785	GASKET PERMANITE	JGSG30500
37	A2290	ROPE 12mm x 3mm x 83mm LG	JTHR20394
38	A1480	PHIAL PROTECTIVE COVER	AO2M220003
39	A4735	BURNER DOOR WARNING LABEL	EGLL220031
40	NCA	SCW M6 x 50 HEX SET Z/P	KHEX50918



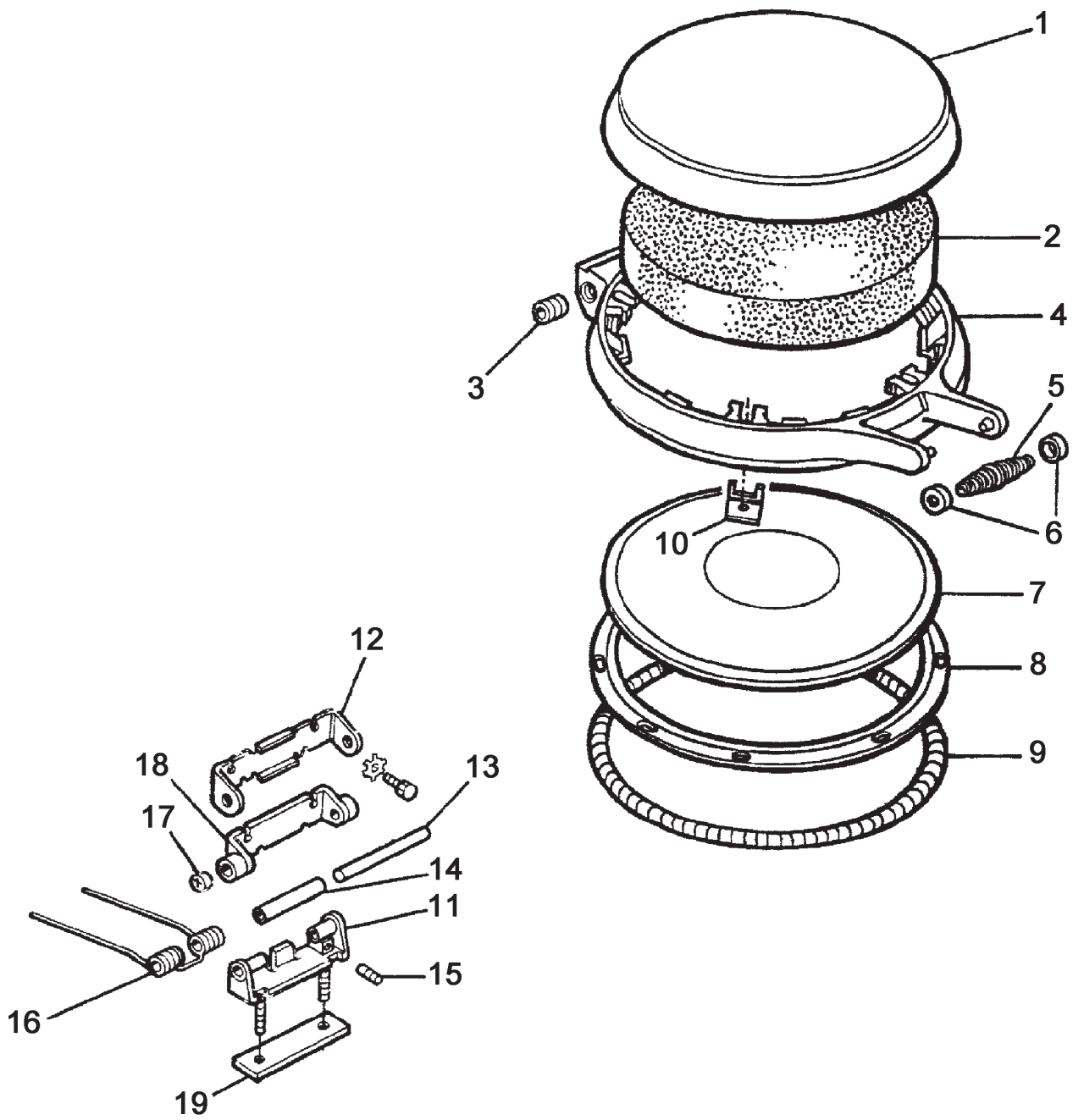
AGA OIL COOKER - OC
TOP PLATES

AGA HINGES & INSULATING LIDS (UP TO M05-008)

**AGA OIL COOKER - OC
TOP PLATES & INSULATING LIDS**

OCTOBER 2010

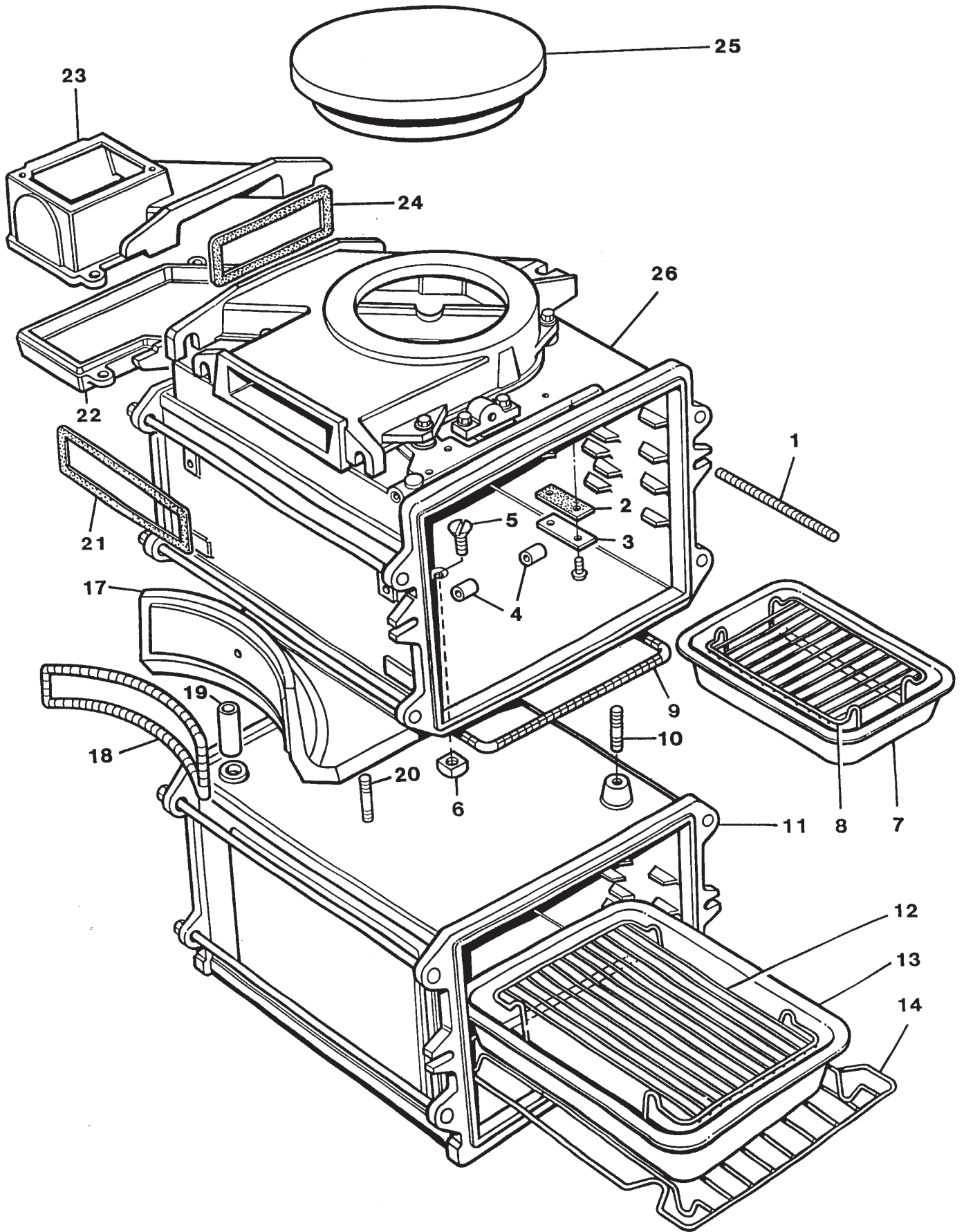
ITEM No.	CAT No.	DESCRIPTION	PRODUCT CODE
1	A3614	ST/STEEL INSULATING LID COVER	AG4M210905-K
	NCA	INSULATING LID - CI (NOT SHOWN) (95-98)	AG5E210387
	NCA	INSULATING LID - CI (NOT SHOWN) (98 ONWARDS)	AG5E210864
	NCA	INSULATING LID - CHROME (NOT SHOWN)	AG4M28101
	NCA	STEEL DOME ASSY COMPLETE	AG1M210917
2	A3283	GRUB SCREW SKT M10 x 25mm LG	KGRB500445
3	A2583	M6 x 6mm LG SKT GRUB CUP PNT GRUB	KGRB500437
4	A3501	ADJUSTABLE PIVOT BEARING	AG4M210620
5	A5074	DOME INSULATION PAD - 50mm	JPAD211934
6	A3511	INSULATING LID OUTER RING	AG5E210862
7	R3028	COIL HANDLE	RO4M340522
8	R3029	INSULATING LID HANDLE CUPS	RO4M340521
9	A3636	DOME CLAMPING BRACKET (S/S LIDS ONLY)	AG4M210904
10	A1632	INSULATING LID LINING RH	AS4M34760
11	A1647	RING SECURING DOME	AS4M40980
12	A1863	DOME SEALING ROPE	JMAR20410
13	A1342	INSULATING RING	AG5M210840
14	A2119	CORNER STAY BUTTON 5/16" BSW	AG4M210228
15	A2123	CORNER STAY NUT 5/16" BSW	AG4M210244
16	A2246	TOP PLATE	AG5E210167
17	R2630	NUT M8 x 35 LG	KNUT53061
18	A4192	ALLTHREAD M8 x 35 LG	KSTD500010
19	A3664	WASHER M8 I/D SHAKEPROOF S/S	KWSR53346
20	A2314	HANDRAIL BRACKET	AG4M210853
21	A2975	VINYL END CAP	AG4M210660
22	A1630	HANDRAIL	AG4M210642
23	A3117	HINGE SPRING - ST/STEEL LID	AG9M998347
	A3118	HINGE SPRING - CAST IRON (NOT SHOWN)	AG9M998348
24	A3134	HINGE SPINDLE	AG4M210775
25	A3184	HINGE BLOCK	AG5E210860
26	A2081	M6 x 25mm STUD	AG4M211021
27	A2589	HINGE BLOCK GASKET	JGSG210477
28	A2583	M6 x 6mm LG SKT GRUB SCREW	KGRB500437
29	A4101	M6 x 10mm LG SKT GRUB SCREW	KGRB50512
30	A1533	FLUE CHAMBER DIVERTER PLATE	AO5M220343
31	A1532	DIVERTER PLATE FC (FOR REAR FLUE OUTLET)	AO5M220344
	A1596	FLUE CHAMBER COMPLETE (INCLUDES ITEMS 32, 33, 34 & 35)	AO9M81619COMP
32	A1536	FLUE CHAMBER	AO4M200038
33	A1538	FLUE CHAMBER BLANKING DISC	AO5M83142
34	A4506	5/32" DIA x 1" ROLL PIN	KCTR37861
35	A1537	FLUE CHAMBER NOZZLE	AO5M83141
36	A2239	SHROUD	AO5E220023
37	A1521	SHROUD FILLER RING	AO5E83953
38	A2222	SHROUD FILLER PLATE	AG5E210262
39	A1841	WIRE BRUSH	EACS23230
40	A1843	TOASTER	EACS47380



AGA HINGES & INSULATING LIDS
FROM MOD CHANGE M05-008

AGA OIL COOKER - OC **OCTOBER 2010**
HINGES & INSULATING COVERS **FROM MOD CHANGE M05-008**

ITEM No.	CAT No.	DESCRIPTION	PRODUCT CODE
1	A3614	ST/STEEL INSULATING LID COVER	AG4M210905-K
	NCA	INSULATING LID CI (NOT SHOWN)	AG5E211528
	A4637	ST/STEEL DOME ASSEMBLY - COMP.	AG1M211766
	A4639	CI DOME ASSEMBLY - COMP. (NOT SHOWN)	AG1M211765
2	A5074	DOME INSULATION PAD - 50mm	JPAD211934
3	A4816	M12 x 16 GRUB SCREW	KGRB500520
4	A4825	INSULATING LID OUTER RING	AG5E211310
5	R3028	COIL HANDLE	RO4M340522
6	R3029	INSULATING LID HANDLE CUPS	RO4M340521
7	A1632	INSULATING LID LINING - RH	AS4M34760
8	A1647	RING SECURING DOME	AS4M40980
9	A1863	DOME SEALING ROPE	JMAR20410
10	A3636	DOME CLAMPING BRKTS - ST/ST LIDS ONLY	AG4M210904
11	A4641	HINGE ASSY WITHOUT SPRING	AG4M211742
11A	A4642	HINGE ASSY WITH SPRING - VE (UP TO M06-170)	AG4M211743
11B	A5157	HINGE ASSY - VE LIDS - FROM M06-170	AG4M211921
12		PART OF ITEM 11 & 11A	
13		PART OF ITEM 11 & 11A	
14	NCA	SPINDLE SLEEVE (PART OF ITEM 11 & 11A)	AG4M997030
15	A5404	SCREW M5 x 16 LG GRUB	KGRB500521
16	A3646	SPRING (PART OF ITEM 11A/B)	AG4M210774
17	A4658	ADJUSTER (PART OF ITEM 11 & 11A)	AG4M997031
18		PART OF ITEM 11 & 11A	
19	A2589	HINGE BLOCK GASKET	JGSG210477
19A	NCA	GASKET HINGE BLOCK - VE LIDS - FROM M06-170	JGSG211914

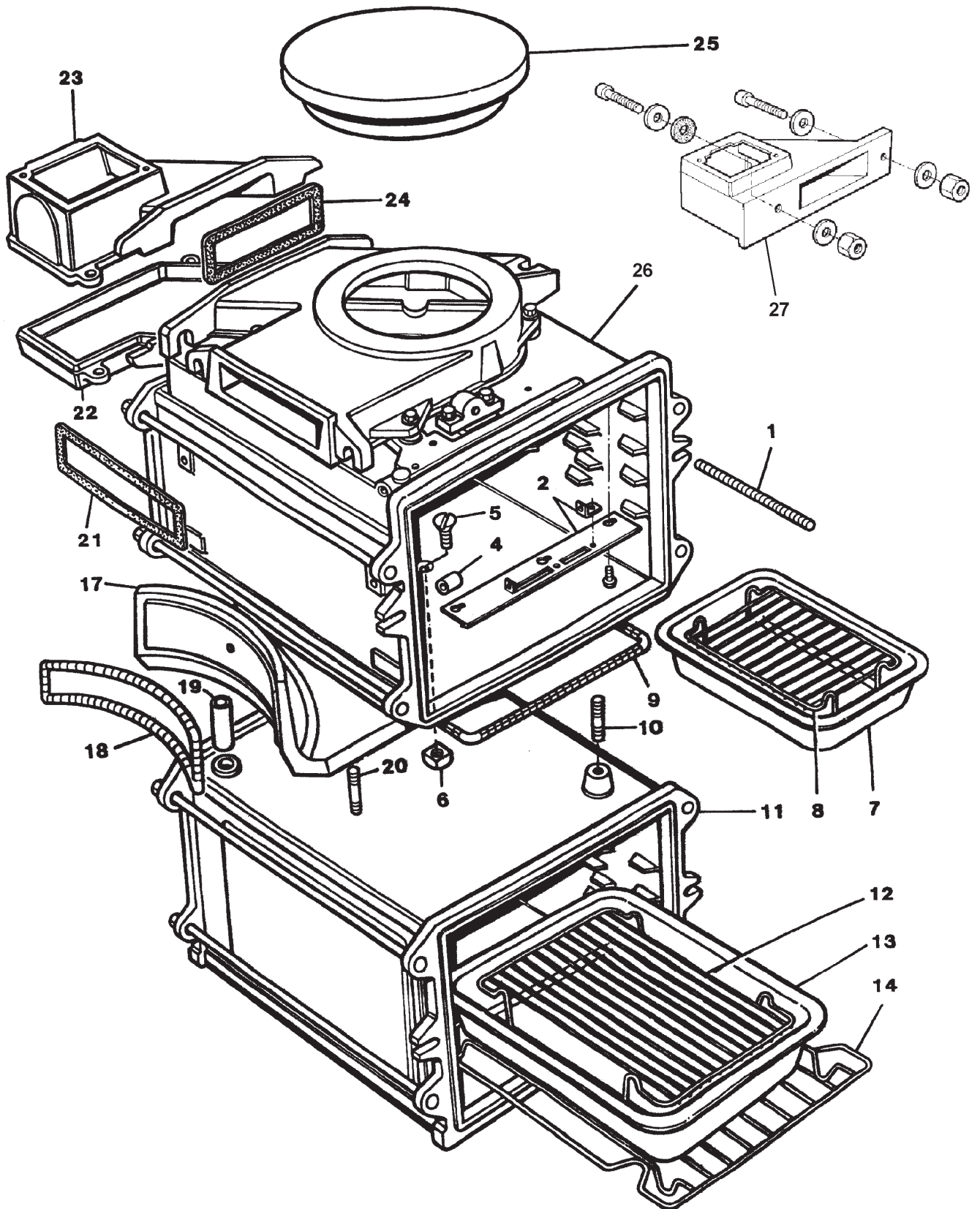


AGA OIL COOKER - OC
 OVENS, ACCESSORIES & SIMMERING PLATE
 (UP TO MAY 2000)

AGA OIL COOKER - OC
OVENS, ACCESSORIES & SIMMERING PLATE (UP TO MAY 2000)

OCTOBER 2010

ITEM No.	CAT No.	DESCRIPTION	PRODUCT CODE
1	A3625	ALLTHREAD M8 x 118 LG	KSTD210019
2	A1861	GASKET - PHIAL INS STRIP	JGSG46940
3	A1512	THERMOSTAT - PHIAL SUPPORT BRACKET	AO2M220126
4	A2394	TUBE PAPER (2 OFF) PHIAL	AO4M48060
5	A2068	SCW C/SK HD M12 x 30mm	KCSK500018
6	A3639	NUT M12 SQ	KNUT500013
7	A3284	ROASTING TIN - SMALL	EMTY530217
8	A2312	GRILL RACK - SMALL	AG4M210269
9	A2961	ROPE 9mm DIA x 1165 LG	JTHR220116
10	NCA	SCREW M12 x 40mm	KGRB500338
11	A1476	SIMMERING OVEN ASSY	AG1M-SO-NF
12	A2313	GRILL RACK - LARGE	AG4M210268
13	A3285	ROASTING TIN - LARGE	EMTY530218
14	A1282	OVEN GRID SHELF	AE4M211863
17	NCA	OVEN HEAT CONDUCTING PLATE	AX5M210478
18	A1856	ROPE 10mm DIA x 762 LG	JCRP20403
19	NCA	OVEN VENT PIPE - BOTTOM	AO4M220058
20	NCA	SCREW M12 x 40mm CUP SKT	KGRB500338
21	A2308	GASKET - OUTER BARREL	JGSG210327
22	A1344	BOTTOM HALF - FLUE MANIFOLD	AG5M81621
23	NCA	TOP HALF - FLUE MANIFOLD	AG5M211192
24	A2306	FLUE MANIFOLD GASKET	JGSG210328
25	A1527	SIMMERING PLATE	AO5M2-695
26	A1600	ROASTING OVEN ASSY	AO1M-OCB-RO

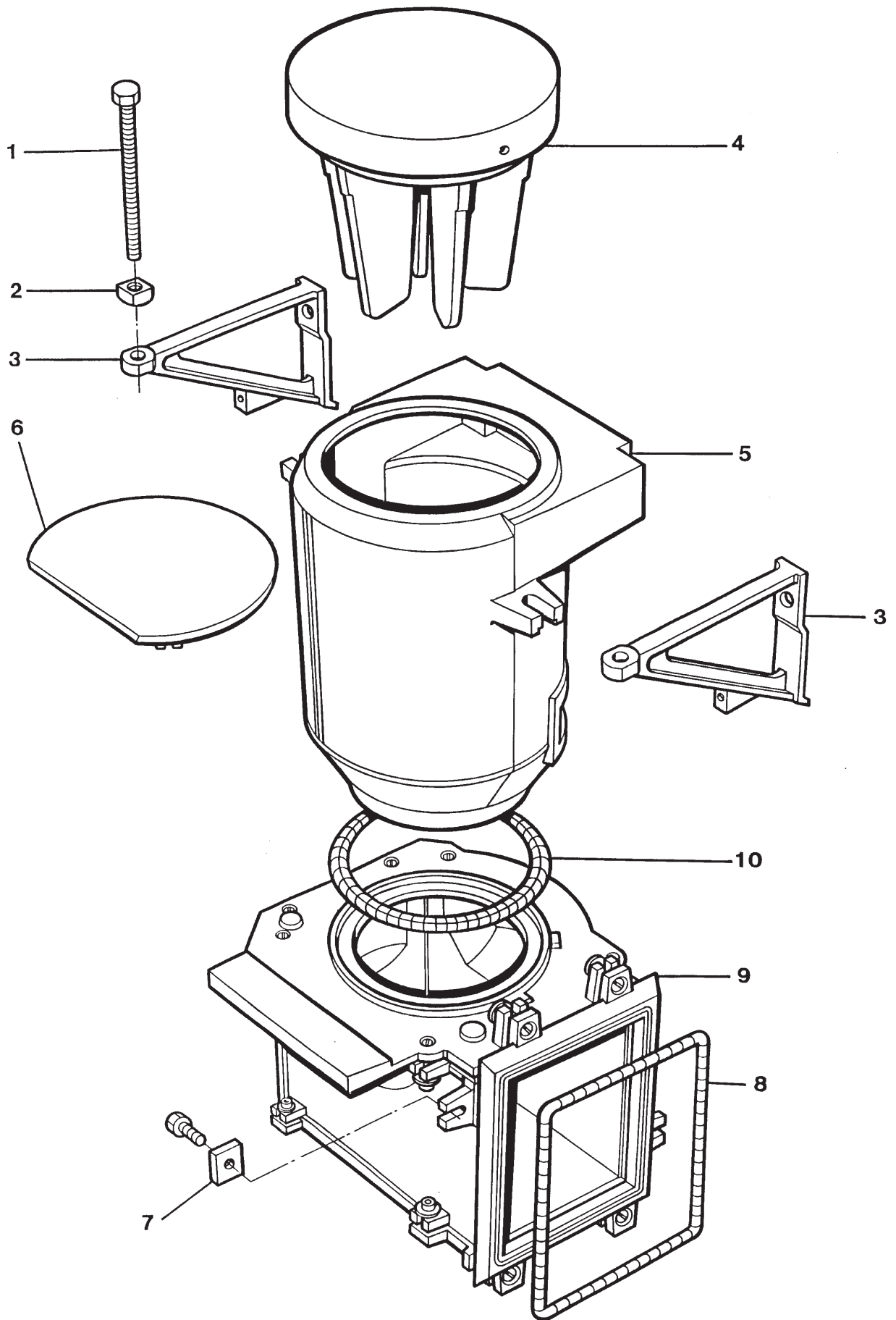


AGA OIL COOKER - OC
 OVENS, ACCESSORIES & SIMMERING PLATE
 (FROM MAY 2000)

**AGA OIL COOKER - OC
OVENS, ACCESSORIES & SIMMERING PLATE (FROM MAY 2000)**

OCTOBER 2010

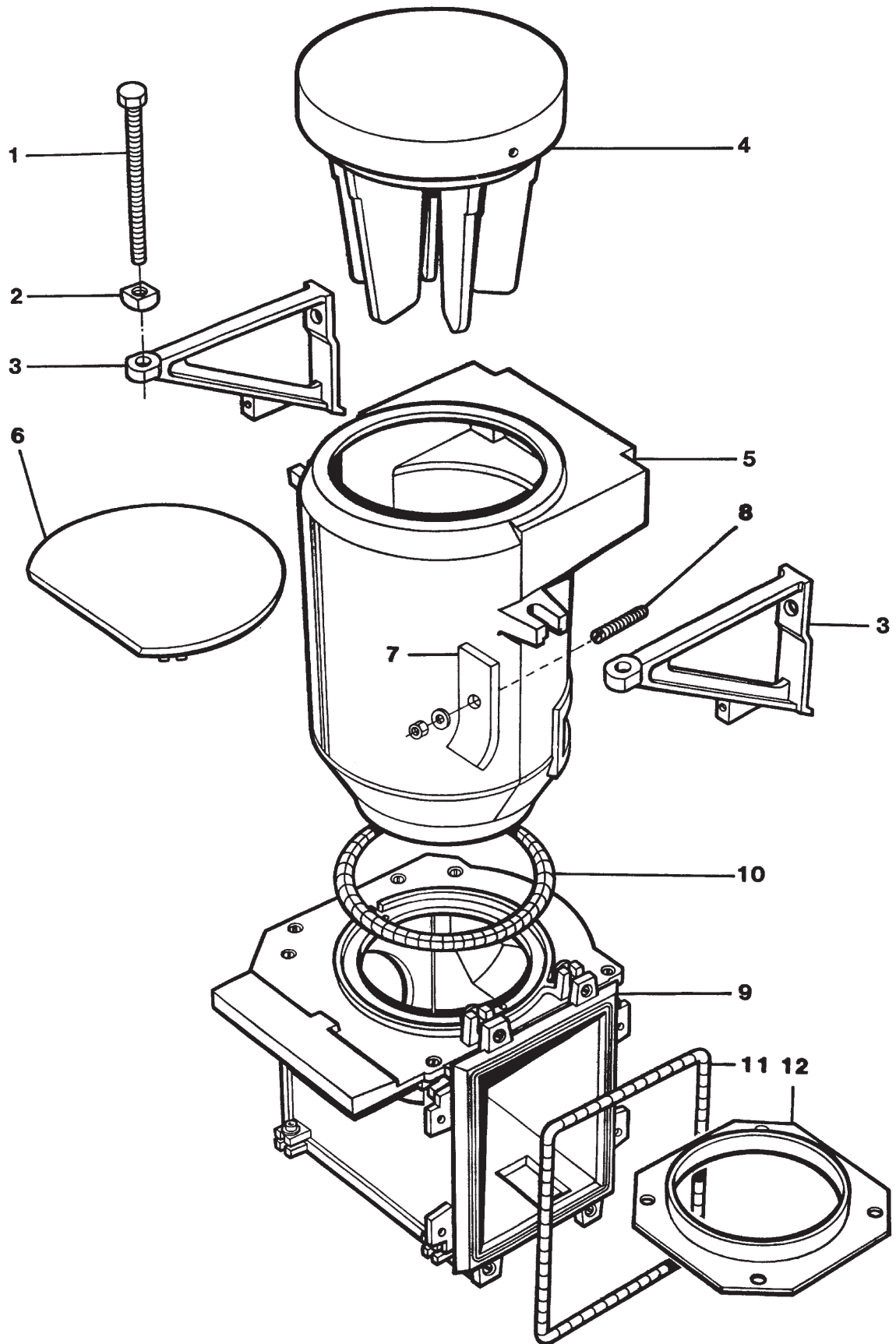
ITEM No.	CAT No.	DESCRIPTION	PRODUCT CODE
1	A3625	ALLTHREAD M8 x 118 LG	KSTD210019
2	A3723	STAT PHIAL SUPPORT ASSY	AO1M220145
2A	A3739	THERMOSTAT RETAINING BRACKET	AO2M220147
4	A2394	TUBE PAPER PHIAL (1-OFF)	AO4M48060
5	A2068	SCW CSK HD M12 x 30mm	KCSK500018
6	A3639	NUT M12 SQ	KNUT500013
7	A3284	ROASTING TIN - SMALL	EMTY530217
8	A2312	GRILL RACK - SMALL	AG4M210269
9	A2961	ROPE 9mm DIA x 1165 LG	JTHR220116
10	NCA	SCREW M12 x 40mm	KGRB500338
11	A1476	SIMMERING OVEN ASSY	AG1M-SO-NF
12	A2313	GRILL RACK - LARGE	AG4M210268
13	A3285	ROASTING TIN - LARGE	EMTY530218
14	A1282	OVEN GRID SHELF	AE4M211863
17	A2656	OVEN HEAT CONDUCTING PLATE	AG5M210486
18	A1856	ROPE 10mm DIA x 762 LG	JCRP20403
19	A2929	OVEN VENT PIPE - BOTTOM	AG4M210488
20	NCA	SCREW M12 x 40mm CUP SKT	KGRB500338
21	A2308	FIRE BARREL GASKET	JGSG210327
22	NCA	BOTTOM HALF - FLUE MANIFOLD - SEE 27	AG5M211211
23	NCA	TOP HALF - FLUE MANIFOLD - SEE 27	AG5M211192
24	A2306	FLUE MANIFOLD GASKET	JGSG210328
25	A1527	SIMMERING PLATE	AO5M2-695
26	A3537	ROASTING OVEN ASSY	AG1M-RO-NF
27	A2662	FLUE MANIFOLD COMPLETE	AG9M998911



AGA OIL COOKER - OC
 HOTSPOT, FIRE BARREL AND BURNER ASSEMBLY
 (UP TO MAY 2000)

HOTSPOT, FIRE BARREL AND BURNER CHAMBER ASSEMBLY (UP TO MAY 2000)

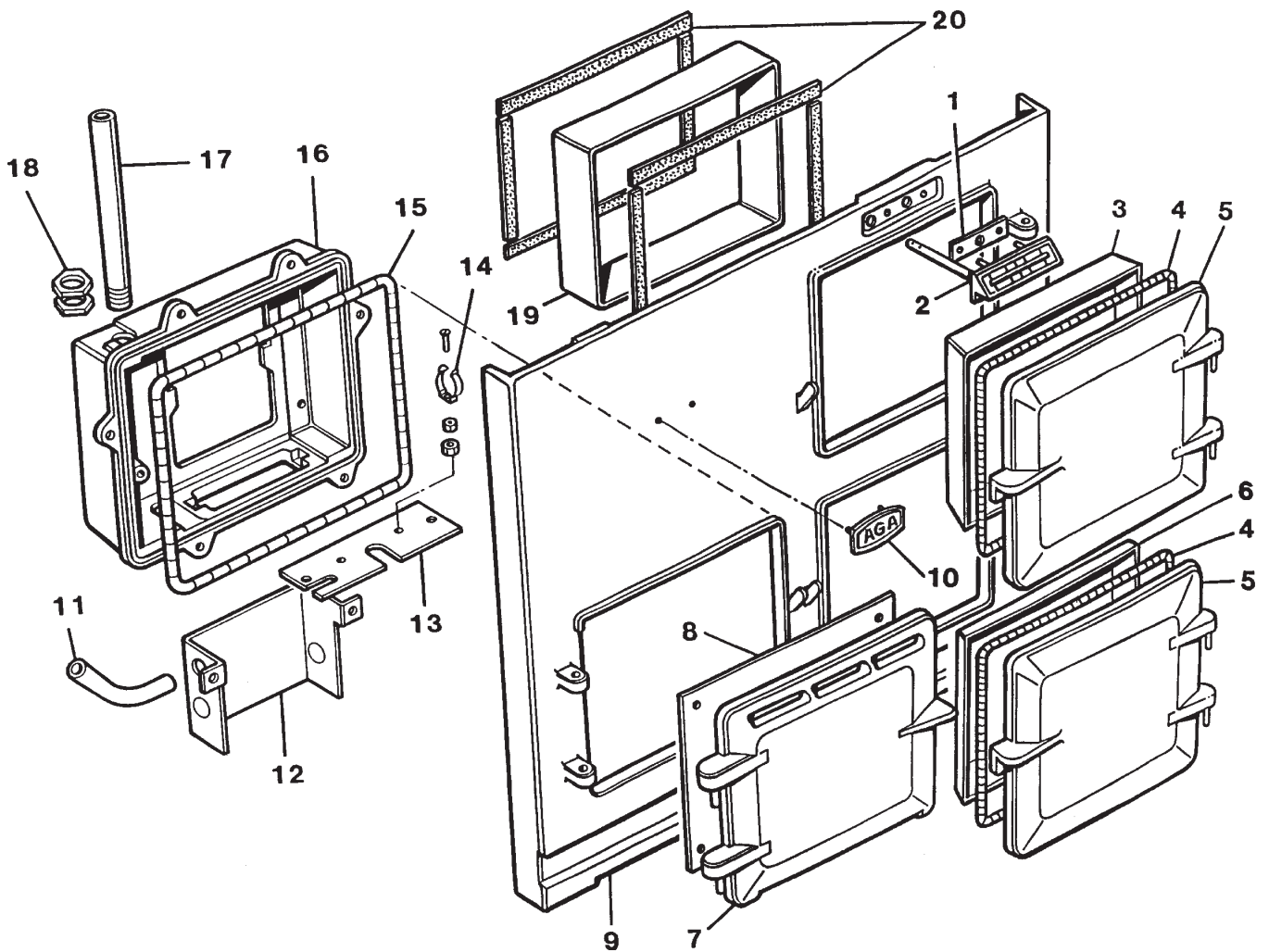
ITEM No.	CAT No.	DESCRIPTION	PRODUCT CODE
1	A1800	BARREL BOLT AND NUT SET (INCLS ITEM 2)	AS9M52960PR
2			
3	A1346	OUTER BARREL BRACKET	AG5M211047
4	A1522	LH HOT SPOT	AO4M1-386
5	A2419	ONE PIECE OUTER FIRE BARREL	AG4M210442
6	A1525	FIRE BARREL BAFFLE	AO5M220647
7	NCA	WASHER INSULATION	JWSR210329
8	NCA	ROPE 7mm x 980 LG SEALING	JTHR20390
9	A1555	BURNER CHAMBER ASSEMBLY OIL	AO1M-OCB-BC
10	A1854	ROPE 200mm x 1780 LG SEALING	JCRP20402



AGA OIL COOKER - OC
 HOTSPOT, FIRE BARREL AND BURNER ASSEMBLY
 (FROM MAY 2000)

HOTSPOT, FIRE BARREL AND BURNER CHAMBER ASSEMBLY (FROM MAY 2000)

ITEM No.	CAT No.	DESCRIPTION	PRODUCT CODE
1	A1800	BARREL BOLT & NUT SET (INCLS ITEM 2)	AS9M52960PR
2			
3	A1346	OUTER BARREL SUPPORT BRACKET	AG5M211047
4	A1522	LH HOT SPOT	AO4M1-386
5	A2419	ONE PIECE OUTER FIRE BARREL	AG4M210442
6	A1525	BAFFLE PLATE - PLAIN	AO5M220647
7	A3166	BARREL FIXING CLAMP	AG2M210485
8	A3289	BARREL FIXING STUD	KSTD210489
9	A2430	BURNER CHAMBER ASSEMBLY	AG1M-BC-NF
10	A1854	ROPE 200mm x 1780 LG SEALING	JCRP20402
11	A2130	ROPE 7mm x 980 LG SEALING	JTHR20450
12	A2648	OUTER BARREL SEALING RING	AG2M210461

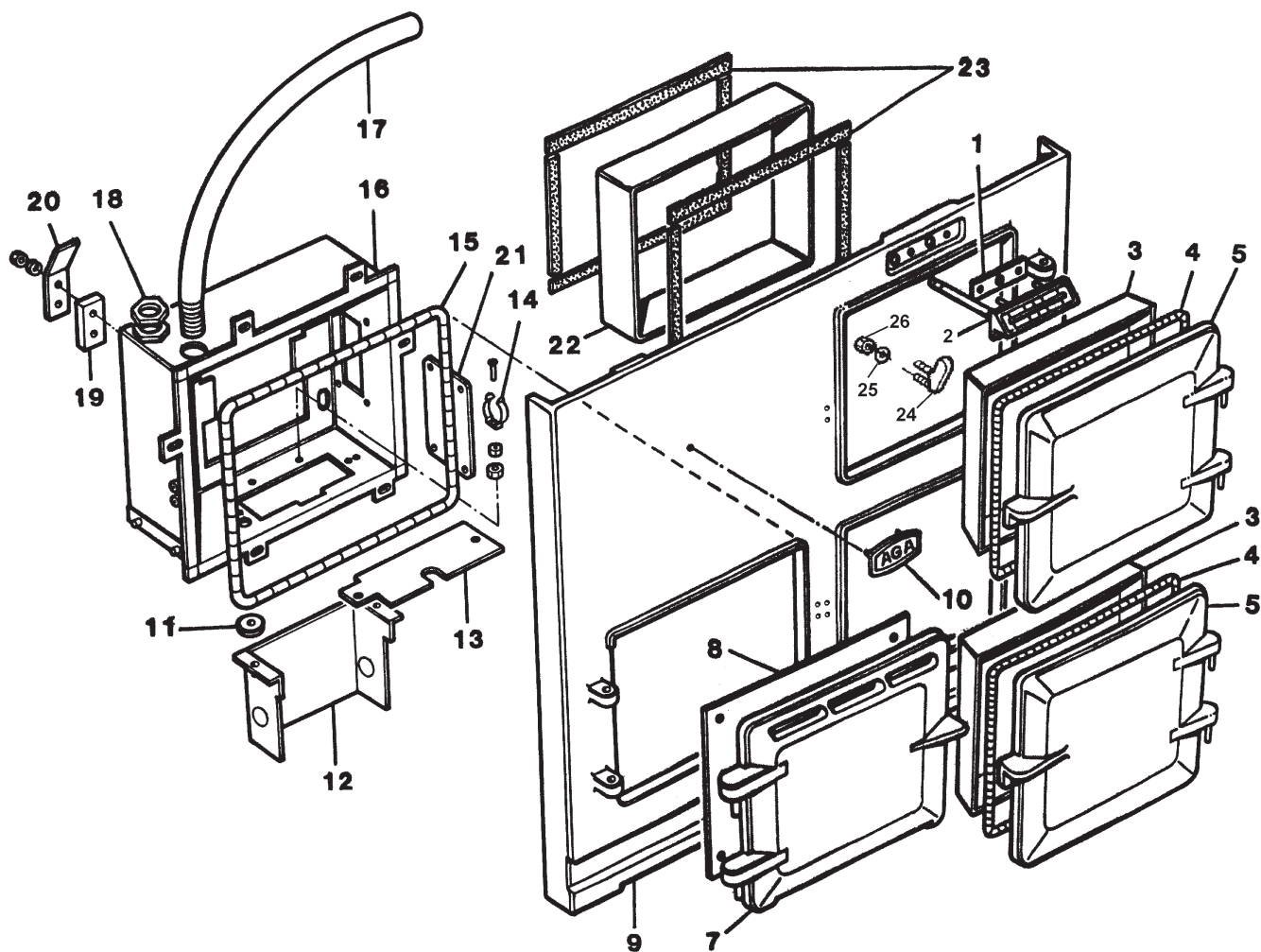


AGA OIL COOKER - OC
 FRONT PLATE & DOORS
 (UP TO MAY 2000)

**AGA OIL COOKER - OC
FRONT PLATES & DOORS (UP TO MAY 2000)**

OCTOBER 2010

ITEM No.	CAT No.	DESCRIPTION	PRODUCT CODE
1	A2115	THERMOMETER RETAINING PLATE - UP TO M10-102	AO9M220004COMP
2	A1518	THERMOMETER - UP TO M10-102	AO4T46210
	A5662	BRANNAN HEAT INDICATOR & SPARES KIT (PRE M10-102)	AG9M996187
	NCA	LIQUID FILLED HEAT INDICATOR (FROM M10-102)	AE4T231182
3	A1482	LINING - ROASTING OVEN DOOR	AO2M90347
4	R5627	No.4 T/SEAL 13mm x 2m	JTHR997624
5	A1709	OVEN DOOR COMPLETE - TOP RH	AS9E1-9285E
5A	A1710	OVEN DOOR COMPLETE - BOTTOM RH	AS9E1-9285F
6	A1483	LINING - SIMMERING OVEN DOOR	AO2M90348
7	A2391	BURNER DOOR OUTER	AG1E2-753A
8		DATA PLAQUE - BURNER DOOR (OC)	AO2M220549
9	NCA	FRONT PLATE COOKER	AG5E210249
10	A2274	AGA BADGE	AG4M210184
	A2435	AGA BADGE - OLD STYLE (NOT SHOWN)	AG4M210341
11	A1511	BURNER HOUSING CABLE SLEEVE	AO4M42440
12	A3907	BURNER HOUSING DUCT	AO2M220138
13	NCA	BURNER HOUSING COVER PLATE	AO2V93070
14	A1939	TERRY CLIP	KCLP26260
15	A3467	ROPE 5mm DIA x 1300 LG	JTHR210867
16	A1523	BURNER HOUSING	AO5M1-7281
17	A3433	CONDUIT PHIAL TUBE	AO4M48071
18	A2653	LOCKNUT 20mm COND LIGHT GAUGE	KNUT53261
19	A4784	OVEN INSULATING FRAME	AG4M211602
20	A2860	PYROTAPE	JTHR210645

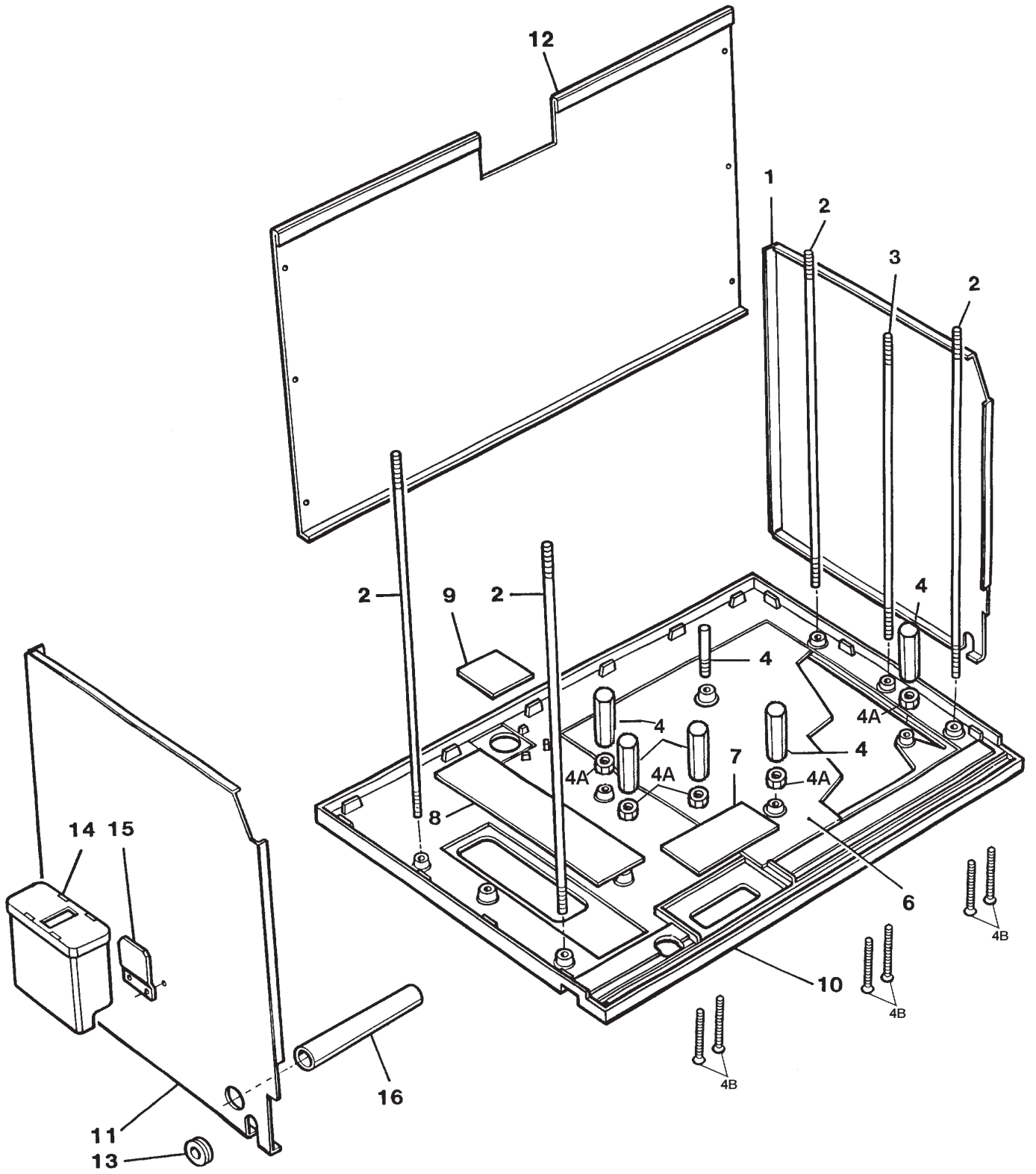


AGA OIL COOKER - OC
 FRONT PLATE & DOORS
 (FROM MAY 2000)

**AGA OIL COOKER - OC
FRONT PLATES & DOORS (FROM MAY 2000)**

OCTOBER 2010

ITEM No.	CAT No.	DESCRIPTION	PRODUCT CODE
1	A2115	THERMOMETER RETAINING PLATE - UP TO M10-102	AO9M220004COMP
2	A2157	THERMOMETER - UP TO M10-102	AG4T210257
	A5662	BRANNAN HEAT INDICATOR & SPARES KIT (PRE M10-102)	AG9M996187
	NCA	LIQUID FILLED HEAT INDICATOR (FROM M10-102)	AE4T231182
3	A1482	LINING - ROASTING OVEN DOOR	AO2M90347
4	R5627	ROPE THERMOSEAL - UP TO M01-080	JTHR997624
	A3935	ROPE T/S BLACK - TOP DOOR x 1230 FROM M01-080	AG4M997916
	A3936	ROPE T/S BLACK - BTM DOOR x 1205 FROM M01-080	AG4M997917
5	A1709	OVEN DOOR COMPLETE - TOP RH	AS9E1-9285E
5A	A1710	OVEN DOOR COMPLETE - BOTTOM RH	AS9E1-9285F
7	A2391	BURNER DOOR OUTER	AG1E2-753A
8	A4184	LIGHTING INSTRUCTIONS - BURNER DOOR	AO4M220287
9	NCA	FRONT PLATE COOKER (UP TO M02-081)	AG5E210249
	A4383	FRONT PLATE (FROM M02-081)	AG5E211245
	A5048	FRONT PLATE C/W DOORS (FROM M02-192)	AO1M220298
10	A2274	AGA BADGE	AG4M210184
	A2435	AGA BADGE - OLD STYLE (NOT SHOWN)	AG4M210341
11	R2719	GROMMET	RG4M31317
12	A3907	BURNER HOUSING DUCT	AO2M220138
13	A3724	BURNER HOUSING COVER PLATE	AO2M220141
14	A1939	TERRY CLIP	KCLP26260
15	A3467	ROPE 5mm DIA x 1300 LG	JTHR210867
16	A3725	BURNER HOUSING ASSY	AO1M220136
17	A1293	CONDUIT PHIAL TUBE	AG4M211880
18	A3469	LOCKNUT 25mm COND LIGHT GAUGE	KNUT35275
19	A4349	BURNER DOOR RETAINING SPACER - UP TO M04-009	AO2M220144
20	A4348	BURNER DOOR RETAINING BRACKET - UP TO M04-009	AO2M220140
21	A2178	ACCESS PLATE	AG4M211602
22	A4784	OVEN FRAME KIT	AG1M210308
23	A2860	PYROTAPE	JTHR210645
24	A3956	DOOR CATCH	AG4M250478
25	A4706	DOOR CATCH GASKET	JGSG211270
26	A4707	LOCKING NUT	KNUT500485



AGA OIL COOKER - OC
 BASE, SIDES, BACK PLATES & HOTCUPBOARD

**AGA OIL COOKER - OC
BASE, SIDES, BACK PLATES & HOTCUPBOARD**

OCTOBER 2010

ITEM No.	CAT No.	DESCRIPTION	PRODUCT CODE
1	A2983	SIDE PLATE COOKER - RH	AG2V210346
2	A2118	CORNER STAY ROD	AG4M210226
3	A2346	OVEN STAY ROD	AG4M41129
4	NCA	BURNER CHAMBER SUPPORT ADJUSTER	AO4M220259
4A	R5022	M12 HEX FULL NUT	KNUT53135
4B	NCA	M12 C/SNK SCREW x 100mm	KCSK500492
6	A2373	FILLER PIECE	AO2M210194
7	A4450	BASE FRONT FILLER PLATE - SMALL	AS2M90080R
8	A2374	RH BASE PLATE FILLER	AO2V210306
9	A3544	FLUE OUTLET BLANKING PLATE	AG2M210568
10	A2659	BASE PLATE	AG4M210560
11	A2982	LH SIDE PLATE	AG2V210345
12	A1612	BACK PLATE	AS2M200052
13	R2709	GROMMET - HELVIN	AO4M31370
14	A2403	OCV - COVER ASSY	AO2V220048
15	A3123	FIXING BRACKET - COVER OCV	AO2V220119
16	A3464	TUBE SAFETY VALVE GUIDE - 591	AO2M48499