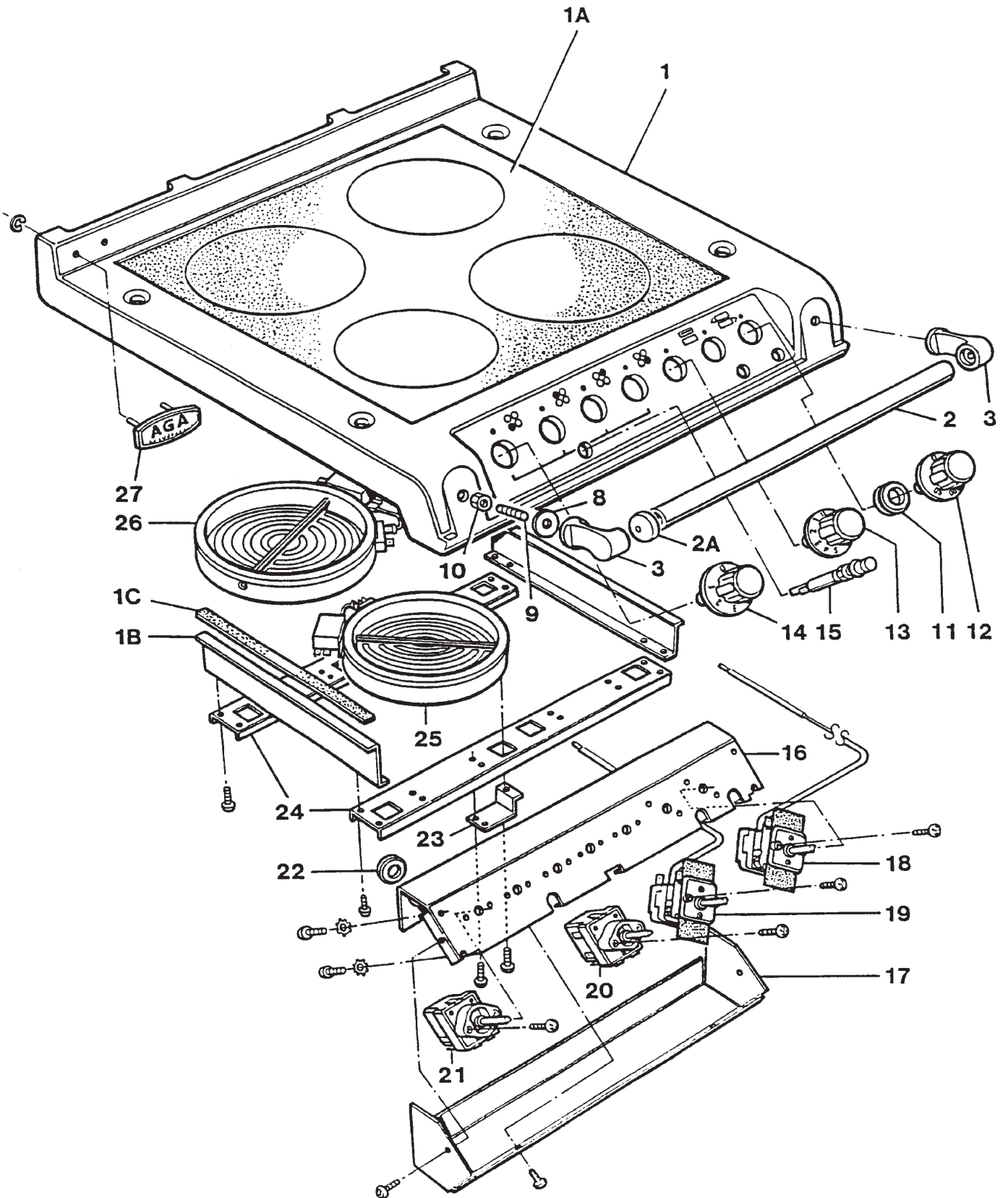


AGA ELECTRIC COMPANION

SPARE PARTS MANUAL

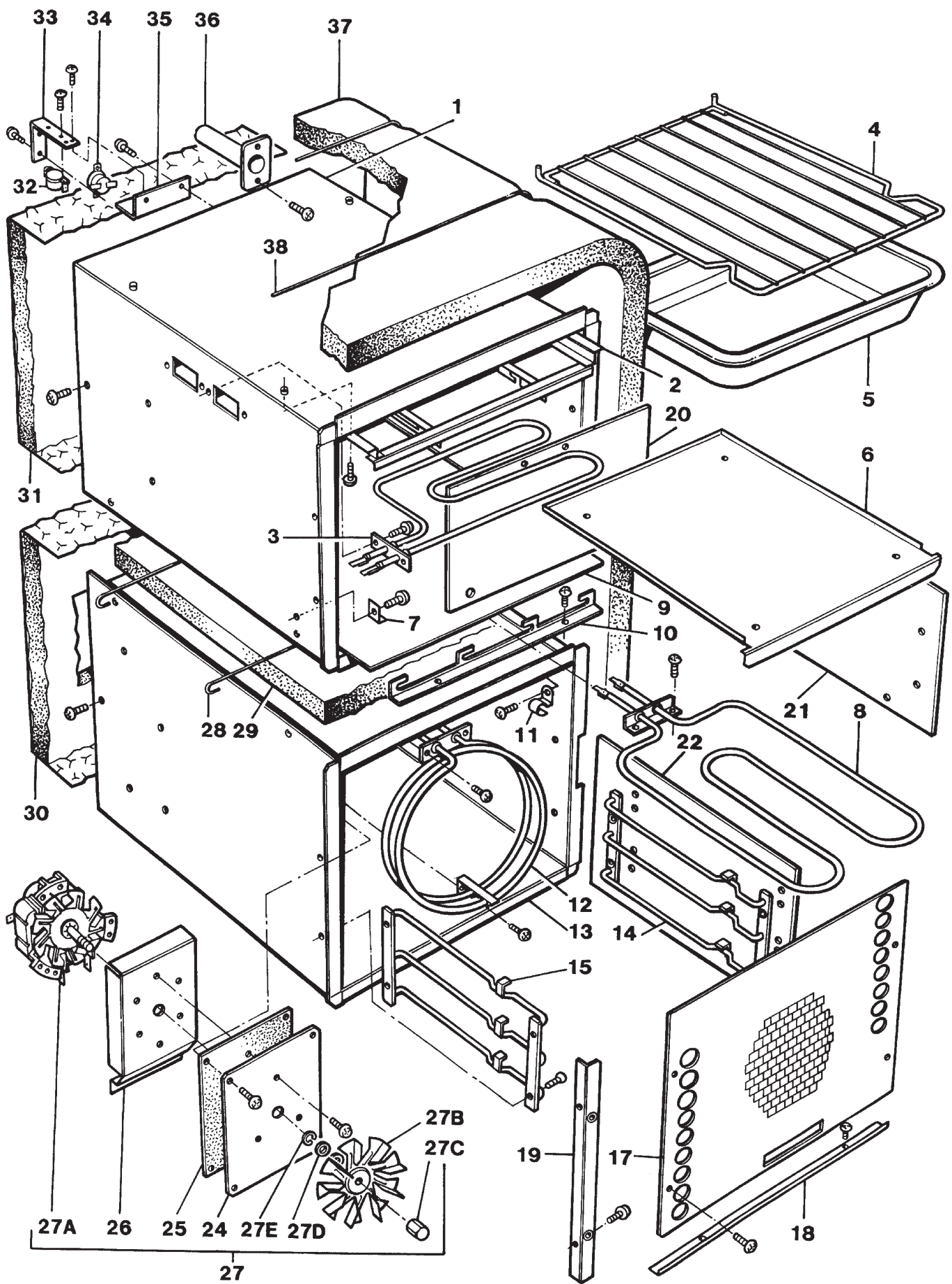


AGA ELECTRIC COMPANION
TOP PLATE/HOB ASSEMBLY

**AGA ELECTRIC COMPANION
TOP PLATE/HOB ASSEMBLY**

JANUARY 2011

ITEM No.	CAT No.	DESCRIPTION	PRODUCT CODE
1	A3025	TOP PLATE	AE9M240153COMP
1A	A3779	CERAMIC HOB PLATE (INCLUDED IN ABOVE)	AE4M240063
1B	NCA	SIDE BRACKET (INCLUDED IN ABOVE)	AE2M240087
1C	NCA	TAPE DOUBLE-SIDED (INCLUDED IN ABOVE)	AE4M240124
2	A3286	HANDRAIL	AE4M240180
2A	A2975	VINYL END CAP	AG4M210660
3	A2314	BRACKET - HANDRAIL	AG4M210853
8	A1472	WASHER M10 x 28mm x 1mm	JWSR313206
9	A4192	ALLTHREAD M8 x 35	KSTD500010
10	R2630	NUT M8	KNUT53061
11	A3103	GROMMET	AE4M240103
12	A3104	KNOB - CONTROL (OVENS)	AE4M240043
13	A3105	KNOB - CONTROL (GRILLS)	AE4M240045
14	A3041	KNOB - CONTROL (HOBS)	AE4M240046
15	A3045	NEON	AE4M240092
16	A3106	SUPPORT REGULATORS	AE2M240059
17	A3107	HEAT SHIELD	AE2M240060
18	NCA	REGULATOR - THERMOSTAT BOTTOM OVEN (UP TO M05-180)	AE4T240099
18A	A4996	FAN OVEN T/STAT (FROM M05-180 TO M06-143)	AE4T240422
18B	A5005	FAN OVEN THERMOSTAT (FROM M06-143)	AE4T240432
19	A3032	REGULATOR - THERMOSTAT TOP OVEN (UP TO M05-180)	AE4T240100
19A	A5350	TOP OVEN T/STAT (FROM M08-085)	AG1M997731
20	NCA	REGULATOR - GRILL (UP TO M05-180)	AE4M240094
20A	M0006	GRILL REGULATOR (FROM M05-180)	AE4M260258
21	A3108	REGULATOR - HOB (UP TO M05-180)	AE4M240095
21A	A4986	HOB REGULATOR (FROM M05-180)	AE4M240426
22	A2757	GROMMET - REEVITE RB3461	AE4M240132
23	NCA	SPRING	AE4M240055
24	NCA	CHANNEL SUPPORT	AE2M240088
25	A3179	HEATER - 1200W (240-165-165N7-L3254R-3914)	AE4M240097
26	A3024	HEATER - 1800W (240-200N7-L3385R-3916)	AE4M240096
27	A3890	NAME BADGE (UP TO M02-037)	AE4M240175

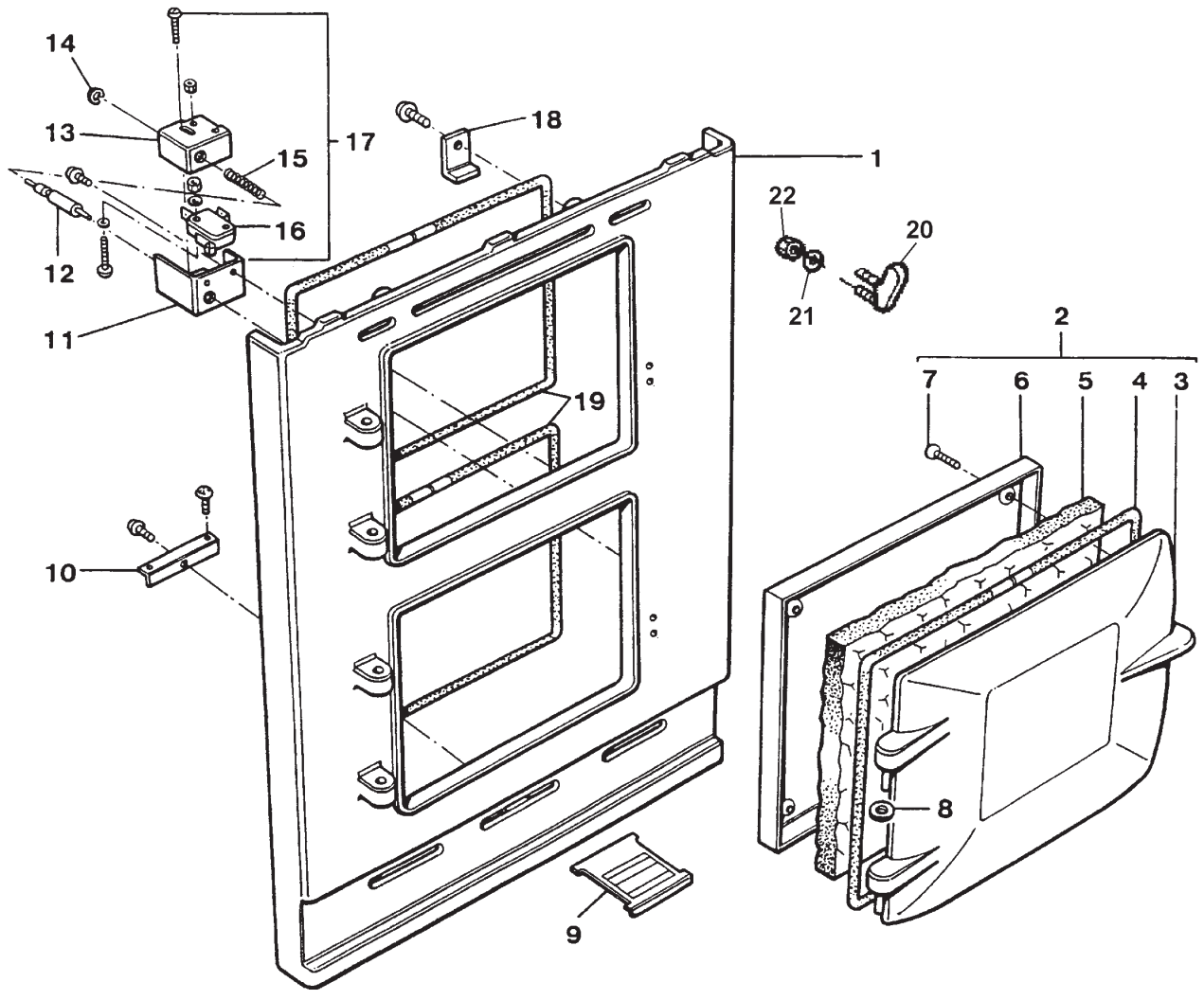


AGA ELECTRIC COMPANION
TOP & BOTTOM OVEN ASSEMBLIES

**AGA ELECTRIC COMPANION
TOP & BOTTOM OVEN ASSEMBLIES**

JANUARY 2011

ITEM No.	CAT No.	DESCRIPTION	PRODUCT CODE
1	A5148	TOP OVEN ASSEMBLY	AE4M240184
2	A3067	GRILL FRAME ASSY	AE1M240031
3	A3068	ELEMENT - GRILL	AE4M240054
4	A2973	GRID SHELF	AE4M240065
5	A3285	ROASTING TIN - LARGE	EMTY530218
6	NCA	GRILL TRAY - UP TO M06-179	AE4M240032
6A	A5101	GRILL TRAY - FROM M06-179	AE4M240428
7	A3084	RETAINING CLIP	AE2M240079
8	A3043	ELEMENT - TOP OVEN	AE4M240042
9	A3085	BASE PANEL	AE4M240039
10	A3086	SUPPORT - OVEN ELEMENT (NO LONGER AVAILABLE)	AE2M240125
	A5355	SUPPORT TRAY ELEMENT ASSY	AG9M251319
11	A3087	PHIAL CLIP	AE4M240058
12	A3088	ELEMENT - BOTTOM OVEN	AE4M240053
13	NCA	BOTTOM OVEN ASSY	AE4M240185
14	A3089	SHELF SUPPORT RH	AE4M240075
15	A2974	SHELF SUPPORT LH	AE4M240074
16			
17	A4011	BAFFLE PLATE	AE4M240178
18	A3091	SEALING BRACKET	AE2M240078
19	A3092	FIXING BRACKET	AE2M240020
20	A3016	TOP OVEN REAR LINING	AE4M240179
21	A3017	TOP OVEN INNER SIDE LINING (LH & RH)	AE4M240176
22	A3018	BOTTOM OVEN INNER SIDE LINING (LH & RH)	AE4M240177
23			
24			
25	A3093	GASKET	JGSG240142
26	A3094	FAN SHIELD	AE2M240119
27	A3095	FAN AND IMPELLOR ASSEMBLY (UP TO M07-142)	AE4M240093
	M0424	CIRCULATION FAN KIT (NO IMPELLOR) PRE M07-142	AE9M997604
27A	NCA	MOTOR (UP TO M07-142)	AE4M240155
27B	NCA	IMPELLOR (UP TO M07-142)	AE4M240156
27C	NCA	NUT - IMPELLOR (UP TO M07-142)	AE4M240157
27D	NCA	WASHER (UP TO M07-142)	AE4M240158
27E	NCA	CIRCLIP (UP TO M07-142)	AE4M240159
28	A3096	WIRE 650 LG	AE4M240145
29	A5927	INSULATION - PLAIN	JPAD240037
30	A3097	INSULATION - BOTTOM OVEN	JPAD240051
31	A3098	INSULATION - TOP OVEN	JPAD240050
32	A3042	CUT-IN	AE4M240131
33	A3099	CARRIER BRACKET - FAN CUT OUT/IN	AE2M240135
34	R3246	CUT-OUT	RO4T340645
35	A3528	BRACKET - FAN CUT OUT/IN	AE2M240134
36	A3100	VENT PIPE	AE4M240090
37	A3101	MAIN WRAP INSULATION	JPAD240052
38	A3096	WIRE 2.3m LONG	AE4M240145

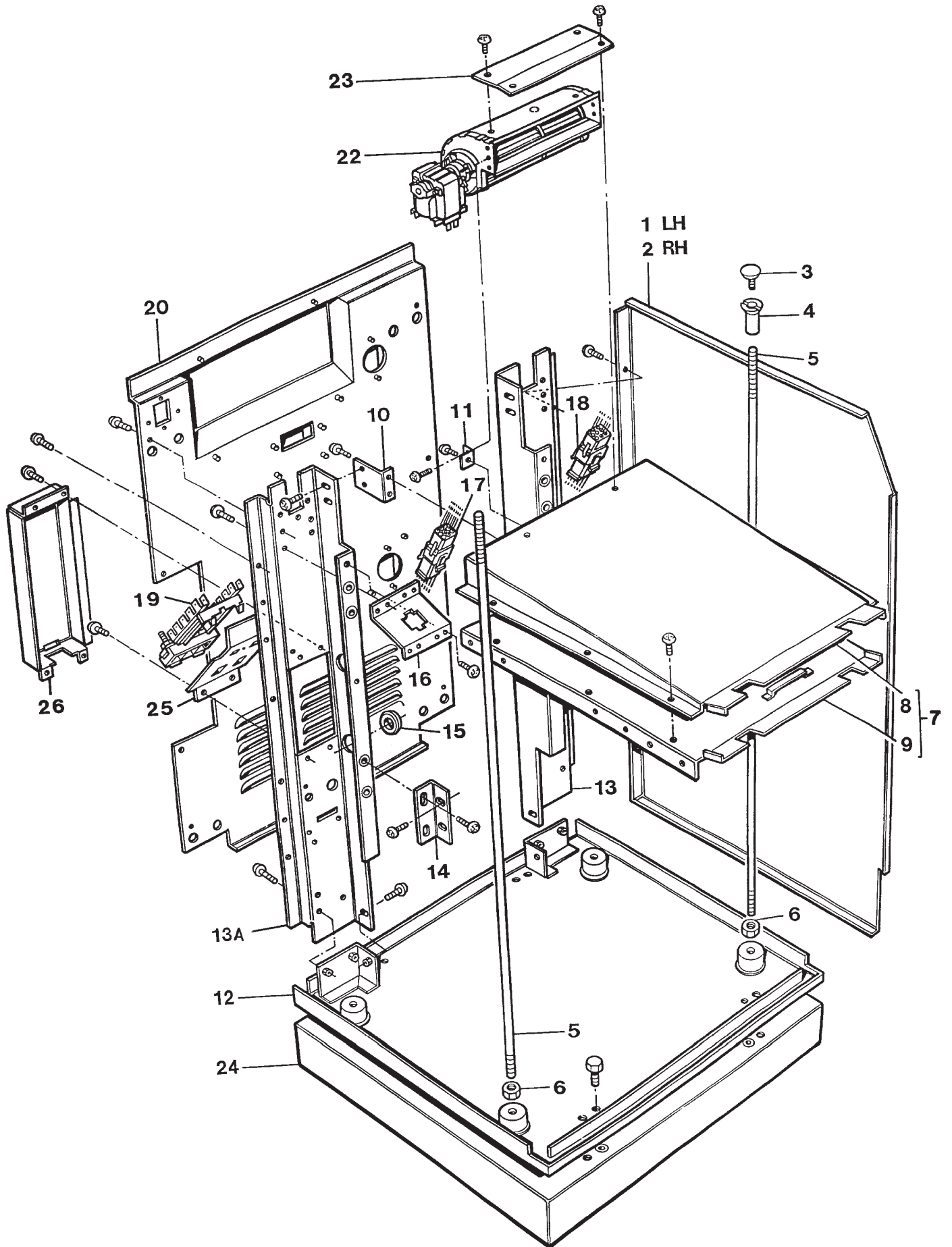


AGA ELECTRIC COMPANION
FRONT PLATE & DOOR ASSEMBLY

**AGA ELECTRIC COMPANION
FRONT PLATE & DOOR ASSEMBLY**

JANUARY 2011

ITEM No.	CAT No.	DESCRIPTION	PRODUCT CODE
1	NCAQ A4209	FRONT PLATE - FROM M02-081 FRONT & DOORS COMPLETE	AE5E240247 AE9M230436
2	A4068	DOOR ASSEMBLY - BOTTOM	AE9M240204
2A	A2955	DOOR ASSY - TOP (UP TO M02-037)	AE9M240197
2B	A4067	DOOR ASSY - TOP - INCLS BADGE (FROM M02-037)	AE9M998793
3	NCA	DOOR - LH	AO5E220637
4	A3054	SEAL - THERMOSEAL ROPE No.4 x 1200 LG UP TO M01-080	AE1M230125
	A4340	TOP DOOR ASSY SEAL - THERMOSEAL ROPE No. 4 x 1000 LG (BLACK) FROM M01-080. UP TO M07-091	AE1M230399
	A3954	BOTTOM DOOR ASSY SEAL - THERMOSEAL ROPE No. 4 x 1185 LG (BLACK) FROM M01-080. FROM M07-091 USED ON TOP DOOR	AE1M230400
5	R1080	INSULATION	MRWF210639
6	NCA	LINER - UP TO M06-179	AE4M240186
6A	A5190	LINER - FROM M06-179	AG4M240436
7	A5255	SCREWS M6 x 20 LG CSK HD	KCSK500339
8	A1950	WASHER NYLON 8 x 16 x 1mm THICK	KWSR53500
9	NCA	SLIDING PLATE - DATA PLAQUE - UP TO M04-091	AE2V240148
9A	A3057	SLIDING PLATE C/W BRACKET - FROM M04-091	RG9V301145
10	A3058	ANGLE CARRIER	AE2M240147
11	A3059	SUPPORT BRACKET DOOR SWITCH	AE2V240080
12	A3060	PIN	AE4M240021
13	A3526	BRACKET	AE2M240081
14	A3062	CIRCLIP	KCLP500303
15	A3063	SPRING	AE4M240085
16	A3064	MICROSWITCH	AE4M240084
17	A3114	DOOR SWITCH ASSEMBLY	AE1M240056
18	A3065	CLAMP - OVEN FITTING	AE2M240082
19	A3066	ROPE SEAL 8 DIAx 1245mm	JTHR240144
20	A3956	DOOR CATCH	AG4M250478
21	A4706	DOOR CATCH GASKET	JGSG211270
22	A4707	LOCKNUT M5	KNUT500485



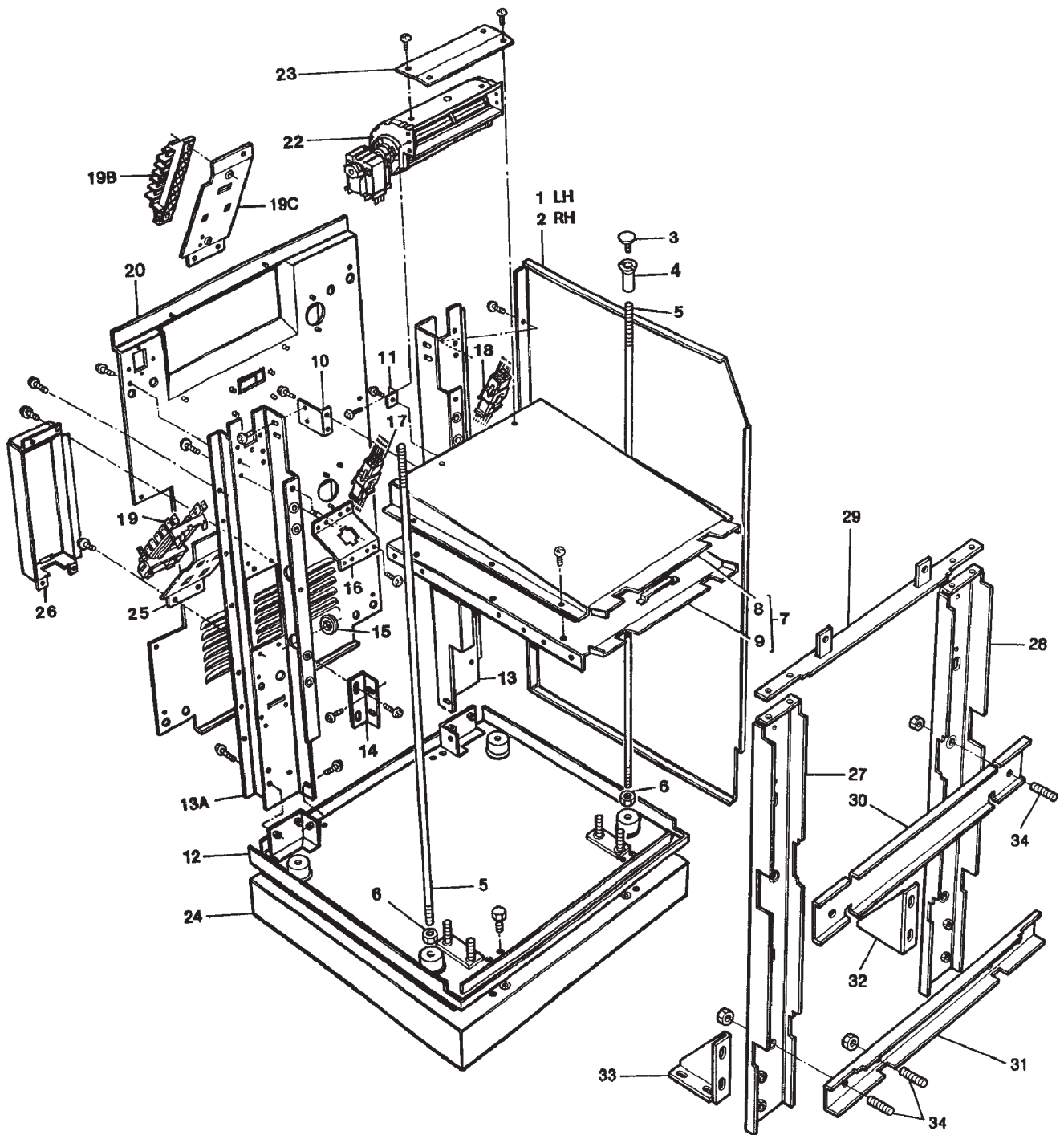
AGA ELECTRIC COMPANION (UP TO M01-086)
 BASE, BACK PLATE & COOLING DUCT ASSEMBLY

AGA ELECTRIC COMPANION

JANUARY 2011

BASE, BACK PLATE & COOLING DUCT ASSEMBLY (UP TO M01-086)

ITEM No.	CAT No.	DESCRIPTION	PRODUCT CODE
1	A2985	SIDE PLATE LH	AE2V240105
2	A2984	SIDE PLATE RH	AE2V240106
3	A2119	BUTTON CORNER STAY	AG4M210228
4	A2123	NUT - CORNER STAY	AG4M210244
5	A2118	STAY ROD	AG4M210226
6	A3069	LOCKNUT 5/16 BSW	KNUT53065
7	A3070	FAN DUCT ASSEMBLY	AE1M240237
8	A3071	FAN DUCT TOP ASSEMBLY	AE1M240122
9	A3072	BASE - FAN DUCT	AE2M240111
10	A3073	BRACKET - REAR DUCT	AE2M240118
11	A3074	BRACKET - FAN FIXING	AE2M240143
12	A3075	BASE PLATE ASSEMBLY	AE2V240067
13	NCA	REAR STRUT - RH	AG2M250193
13A	A5597	REAR STRUT - LH	AG2M250182
14	A3077	SUPPORT BRACKET - OVEN	AE2M240123
15	A2757	GROMMET (RB3461)	AE4M240132
16	A3078	BRACKET - WIRING SOCKET	AE2M240113
17	A3051	LH 9-WAY PLUG	AE4M240117
18	A3051	RH 9-WAY PLUG	AE4M240117
19	M0040	MAINS TERMINAL BLOCK - FROM SEPT 1999 (TO JAN 2002 NO LONGER AVAILABLE)	AG4M250175
	A3048	MAINS TERMINAL BLOCK - UP TO SEPT 1999	AE4M240091
19A	M0158	MAINS TERMINAL BLOCK (FROM M01-068A)	AG4M250613
	A3931	MAINS TERMINAL BLOCK KIT (INCLS 19A & 25)	AG9M998725
20	A4355	BACK PLATE ASSEMBLY	AG1M250274
22	A3081	COOLING FAN	AE4M240008
23	A3082	BRACKET - FAN	AE2M240114
24	A3015	PLINTH ASSEMBLY	AE2V240195
25	NCA	TERMINAL BLOCK MOUNTING PLATE	AG2M250180
26	A3921	TERMINAL BLOCK COVER	AG2M250181



AGA ELECTRIC COMPANION (FROM M01-086)
 BASE, BACK PLATE & COOLING DUCT ASSEMBLY

AGA ELECTRIC COMPANION
BASE, BACK PLATE & COOLING DUCT ASSEMBLY (FROM M01-086)

JANUARY 2011

ITEM No.	CAT No.	DESCRIPTION	PRODUCT CODE
1	A2985	SIDE PLATE LH	AE2V240105
2	A2984	SIDE PLATE RH	AE2V240106
3	A2119	BUTTON CORNER STAY	AG4M210228
4	A2123	NUT - CORNER STAY	AG4M210244
5	A2118	STAY ROD	AG4M210226
6	A3069	LOCKNUT 5/16 BSW	KNUT53065
7	A3070	FAN DUCT ASSEMBLY	AE1M240237
8	A3071	FAN DUCT TOP ASSEMBLY	AE1M240122
9	A3072	BASE - FAN DUCT	AE2M240111
10	A3073	BRACKET - REAR DUCT	AE2M240118
11	A3074	BRACKET - FAN FIXING	AE2M240143
12	A3075	BASE PLATE ASSEMBLY	AE2V240067
13	NCA	REAR STRUT - RH	AG2M250193
13A	A5597	REAR STRUT - LH	AG2M250182
14	A3077	SUPPORT BRACKET - OVEN	AE2M240123
15	A2757	GROMMET (RB3461)	AE4M240132
16	A3078	BRACKET - WIRING SOCKET	AE2M240113
17	A3051	LH 9-WAY PLUG	AE4M240117
18	A3051	RH 9-WAY PLUG	AE4M240117
19	M0040	MAINS TERMINAL BLOCK - FROM SEPT 1999 (TO JAN 2002 NO LONGER AVAILABLE)	AG4M250175
19A	A3048	MAINS TERMINAL BLOCK - UP TO SEPT 1999	AE4M240091
	M0158	MAINS TERMINAL BLOCK (UP TO NP04-002)	AG4M250613
	A3931	MAINS TERMINAL BLOCK KIT (INCLS 19A & 25) - (UP TO NP04-002)	AG9M998725
19B	A4789	MAINS TERMINAL (FROM NP04-002)	AG4M250991
19C	NCA	TERMINAL BLOCK MTG BRKT (FROM NP04-002)	AG2M250988
20	A4355	BACK PLATE ASSEMBLY	AG1M250274
22	A3081	COOLING FAN	AE4M240008
23	A3082	BRACKET - FAN	AE2M240114
24	A3015	PLINTH ASSEMBLY	AE2V240195
25	NCA	TERMINAL BLOCK MOUNTING PLATE (UP TO NP04-002)	AG2M250180
26	A3921	TERMINAL BLOCK COVER	AG2M250181
27	NCA	FRONT LH STRUT	AG2M250256
28	NCA	FRONT RH STRUT	AG2M250257
29	NCA	TOP CROSS MEMBER ASSY	AG1M250258
30	NCA	CENTRE CROSS MEMBER	AG2M250262
31	NCA	BOTTOM CROSS MEMBER	AG2M250265
32	NCA	FRONT RH STRUT	AG2M250257
33	NCA	FRONT LH STRUT	AG2M250256
34	A3924	ALLTHREAD M6 x 32	KSTD52750