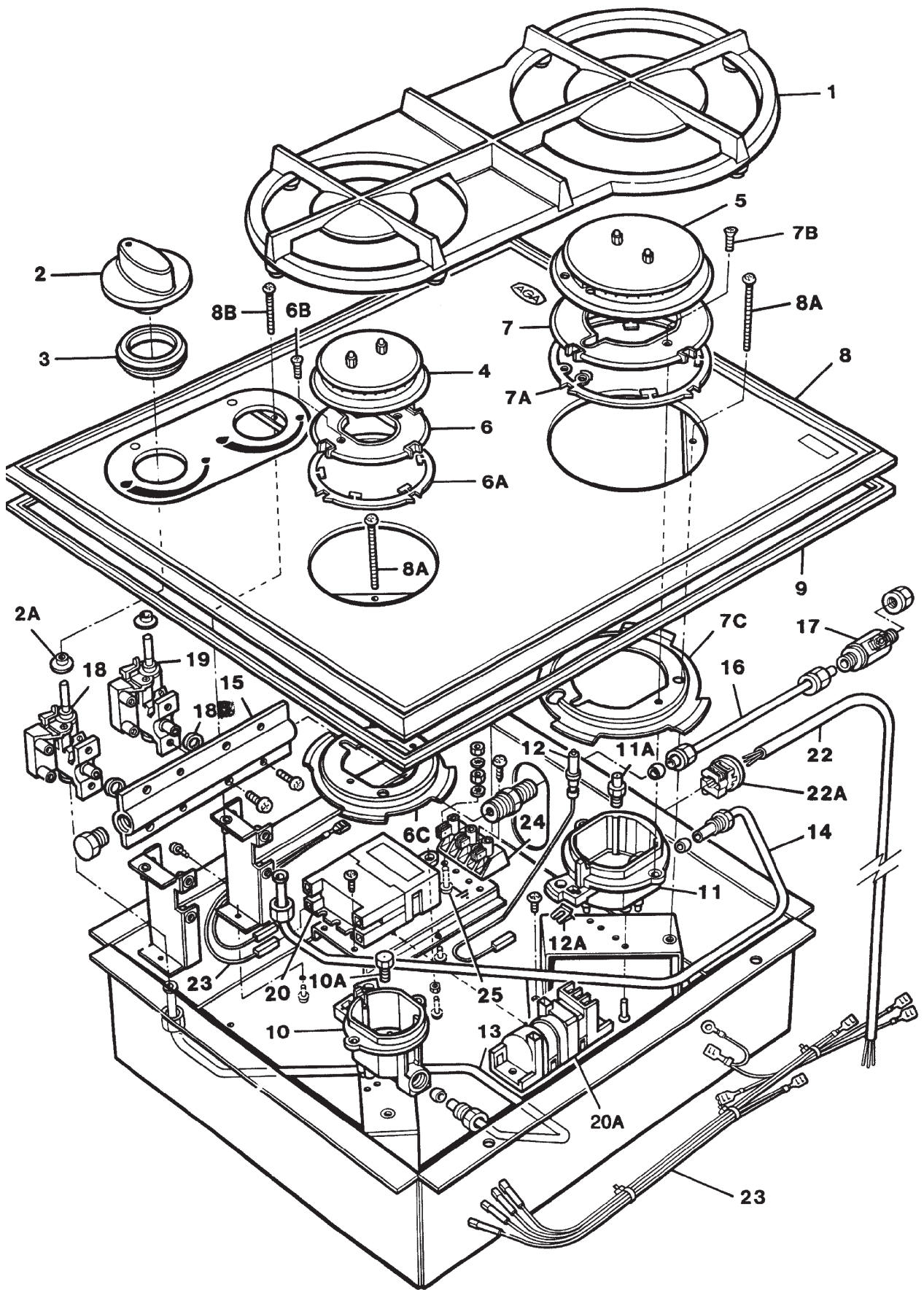


**AGA 2 BURNER GAS  
HOB OPTION (FOR  
THE HOT CUPBOARD)**

***SPARE PARTS  
MANUAL***

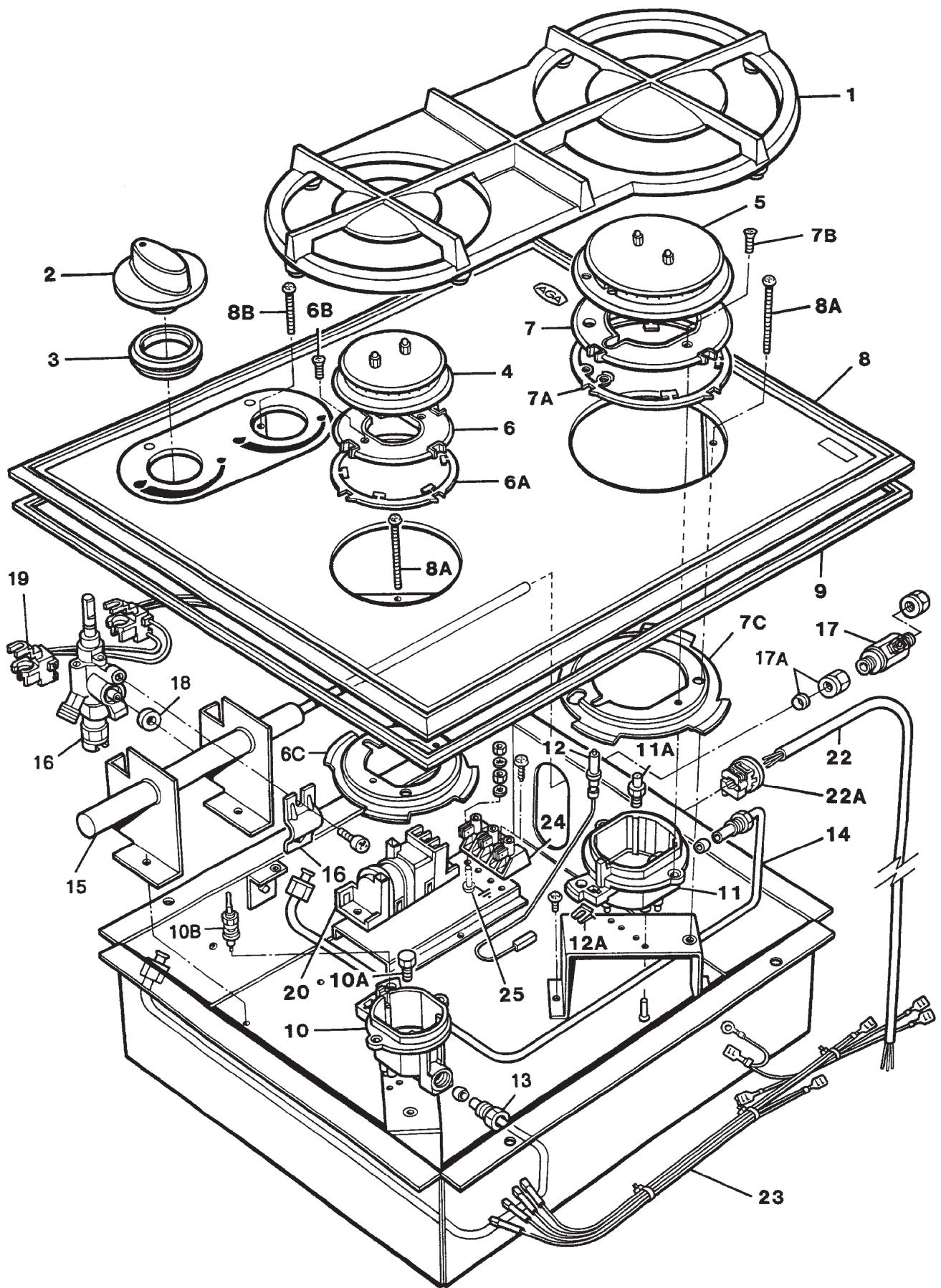


**AGA 2 BURNER GAS HOB OPTION FOR THE HOTCUPBOARD (UP TO NP04-022)**

**AGA 2 BURNER GAS HOB OPTION  
FOR THE HOTCUPBOARD**

**OCTOBER 2010  
UP TO NP04-022**

<b>ITEM No.</b>	<b>CAT No.</b>	<b>DESCRIPTION</b>	<b>PRODUCT CODE</b>
1	A3806	PAN SUPPORT ASSY	AG4M211565
2	A3807	CONTROL KNOB (2-OFF)	AG4M998641
3	A3808	GROMMET REEVITE (2-OFF)	AG4M998642
4	A3809	SMALL BURNER HEAD ASSY	AG4M998617
5	A3810	LARGE BURNER HEAD ASSY	AG4M998618
6	A3812	SMALL BURNER DISC	AG4M998644
6A	A3813	SMALL BURNER SEAL	AG4M998615
6B	NCA	SCREW M3 x 8 C'SNK POZI HD ST/STL	KCSK500365
6C	A3814	SMALL BURNER SPRING	AG4M998613
7	A3815	LARGE BURNER DISC	AG4M998645
7A	A3816	LARGE BURNER SEAL	AG4M998616
7B	NCA	SCREW M3 x 8 C'SNK POZI HD ST/STL	KCSK500365
7C	A3817	LARGE BURNER SPRING	AG4M998614
8	A3818	HOB FRAME & CERAMIC GLASS ASSY	AG4M998640
8A	A3819	SCREW M3 x 50 REC PAN HD ST/NP	AG4M998652
8B	A3820	SCREW M3 x 25 REC PAN HD ST/NP	AG4M998653
9	A3821	SEAL (FRAME)	AG4M998646
10	A3822	SMALL BURNER CUP - NG OR LPG	AG4M998611
	A3823	SMALL BURNER INJECTOR - NG	AG4M998619
10A	A3824	SMALL BURNER INJECTOR - LPG	AG4M998620
11	A3825	LARGE BURNER CUP - NG OR LPG	AG4M998612
	A3826	LARGE BURNER INJECTOR - NG	AG4M210947
11A	A3827	LARGE BURNER INJECTOR - LPG	AG4M210959
11B	A4406	INJECTOR (3.0 kW) - NG (HOLLAND ONLY)	AG4M250238
12	A3214	IGNITION ELECTRODE	AG4M250029
12A	A3216	ELECTRODE CLIP	AG4M250031
13	A3845	SMALL BURNER SUPPLY PIPE ASSY INCLS:	AG9M998631COMP
	A3828	SMALL BURNER SUPPLY PIPE	AG4M998631
	A3829	NUT - SUPPLY PIPE TO BURNER	AG4M998632
	A3830	OLIVE - SUPPLY PIPE TO BURNER	AG4M998633
	A3831	NUT - SUPPLY PIPE TO TAP	AG4M998634
14	A3846	LARGE BURNER SUPPLY PIPE ASSY INCLS:	AG9M998630COMP
	A3832	LARGE BURNER SUPPLY PIPE	AG4M998630
	A3829	NUT - SUPPLY PIPE TO BURNER	AG4M998632
	A3830	OLIVE - SUPPLY PIPE TO BURNER	AG4M998633
	A3831	NUT - SUPPLY PIPE TO TAP	AG4M998634
15	A3833	GAS RAIL ASSEMBLY	AG4M998626
16	A3834	8mm CONNECTOR PIPE	AG4M998627
17	A3835	SHUT-OFF VALVE	AG4M998628
18	A3836	SMALL BURNER GAS TAP - NG	AG4M998623
	A3837	SMALL BURNER GAS TAP - LPG	AG4M998624
18B	A3211	SEAL - GAS TAP	AG4M250131
19	A3838	LARGE BURNER GAS TAP - NG	AG4M998621
	A3839	LARGE BURNER GAS TAP - LPG	AG4M998622
20	A3233	SPARK GENERATOR	AG4M997573
20A	A3906	SPARK GENERATOR (SABAF) FROM SERIAL No. NG - G0000056      LPG - G0000346	AG4M211045
22	A3840	MAINS LEAD	AG4M998635
22A	A3841	CABLE CLAMP BUSH	AG4M998638
23	A3842	WIRING HARNESS (TABLE)	AG4M998639
24	A3843	MAINS TERMINAL BLOCK	AG4M998637
25	A3844	EARTH STUD SET	AG4M998636



**AGA 2 BURNER GAS HOB OPTION (FFD'S)  
(FROM NP04-022)**

ITEM No.	CAT No.	DESCRIPTION	PRODUCT CODE
1	A3806	PAN SUPPORT ASSY	AG4M211565
2	A3807	CONTROL KNOB (2-OFF)	AG4M998641
3	A3808	GROMMET - REEVITE (2-OFF)	AG4M998642
4	A4573	SMALL BURNER HEAD ASSY	AG4M998946
5	A4574	LARGE BURNER HEAD ASSY	AG4M998947
6	A4575	SMALL BURNER DISC (0955/22)	AG4M998944
6A	A3813	SMALL BURNER SEAL	AG4M998615
6B	NCA	SCREW M3 x 8 C/SNK POZI HEAD ST/ST	KCSK500365
6C	A3814	SMALL BURNER SPRING	AG4M998613
7	A4576	LARGE BURNER DISC (0956/22)	AG4M998945
7A	A3816	LARGE BURNER SEAL	AG4M998616
7B	NCA	SCREW M3 x 8 C/SNK POZI HEAD ST/ST	KCSK500365
7C	A3817	LARGE BURNER SPRING	AG4M998614
8	A4577	HOB FRAME & CERAMIC GLASS ASSEMBLY	AG4M998957
9	A3821	SEAL FRAME	AG4M998646
10	A3822	BURNER CUP - SMALL	AG4M998611
10A	A3823	SMALL BURNER INJECTOR - NG	AG4M998619
10A	A3824	SMALL BURNER INJECTOR - LPG	AG4M998620
10B	A4578	THERMOCOUPLE	AG4M998948
11	A3825	LARGE BURNER CUP	AG4M998612
	A3826	LARGE BURNER INJECTOR (NG)	AG4M210947
	A3827	LARGE BURNER INJECTOR (LPG)	AG4M210959
	A4406	INJECTOR 3.0 kW - NG HOLLAND ONLY	AG4M250238
12	A3214	IGNITION ELECTRODE	AG4M250029
12A	A3216	ELECTRODE CLIP	AG4M250031
13	A4579	SMALL BURNER SUPPLY PIPE ASSY INCLS:	AG9M998954 COMP
	A4580	SMALL BURNER SUPPLY PIPE	AG4M998954
	A3829	NUT - SUPPLY PIPE TO BURNER	AG4M998632
	A3830	OLIVE - SUPPLY PIPE TO BURNER	AG4M998633
	A4581	NUT SUPPLY PIPE TO TAP	AG4M998955
14	A4582	LARGE BURNER SUPPLY PIPE ASSY INCLS:	AG9M998953COMP
	A4583	LARGE BURNER SUPPLY PIPE	AG4M998953
	A3829	NUT - SUPPLY PIPE TO BURNER	AG4M998632
	A3830	OLIVE - SUPPLY PIPE TO BURNER	AG4M998633
	A4581	NUT - SUPPLY PIPE TO TAP	AG4M998955
15	A4584	GAS RAIL ASSEMBLY	AG4M998952
16	A4585	LARGE GAS TAP - NG	AG4M998949
16A	A4586	SMALL GAS TAP - NG	AG4M998950
16B	A4587	LARGE GAS TAP - LPG	AG4M998958
16C	A4588	SMALL GAS TAP - LPG	AG4M998959
17	A3835	SHUT OFF VALVE	AG4M998628
17A		SEE 17	
18	NCA	SEAL	NCA
19	A4589	IGNITION SWITCH HARNESS	AG4M998951
20	A3906	SPARK GENERATOR (SABAF)	AG4M211045
22	A3840	MAINS LEAD	AG4M998635
22A	A3841	CABLE CLAMP/BUSH	AG4M998638
23	A4590	WIRING HARNESS	AG4M998956
24	A3843	TERMINAL CONNECTOR BLOCK	AG4M998637
25	A3844	EARTH STUD SET	AG4M998636