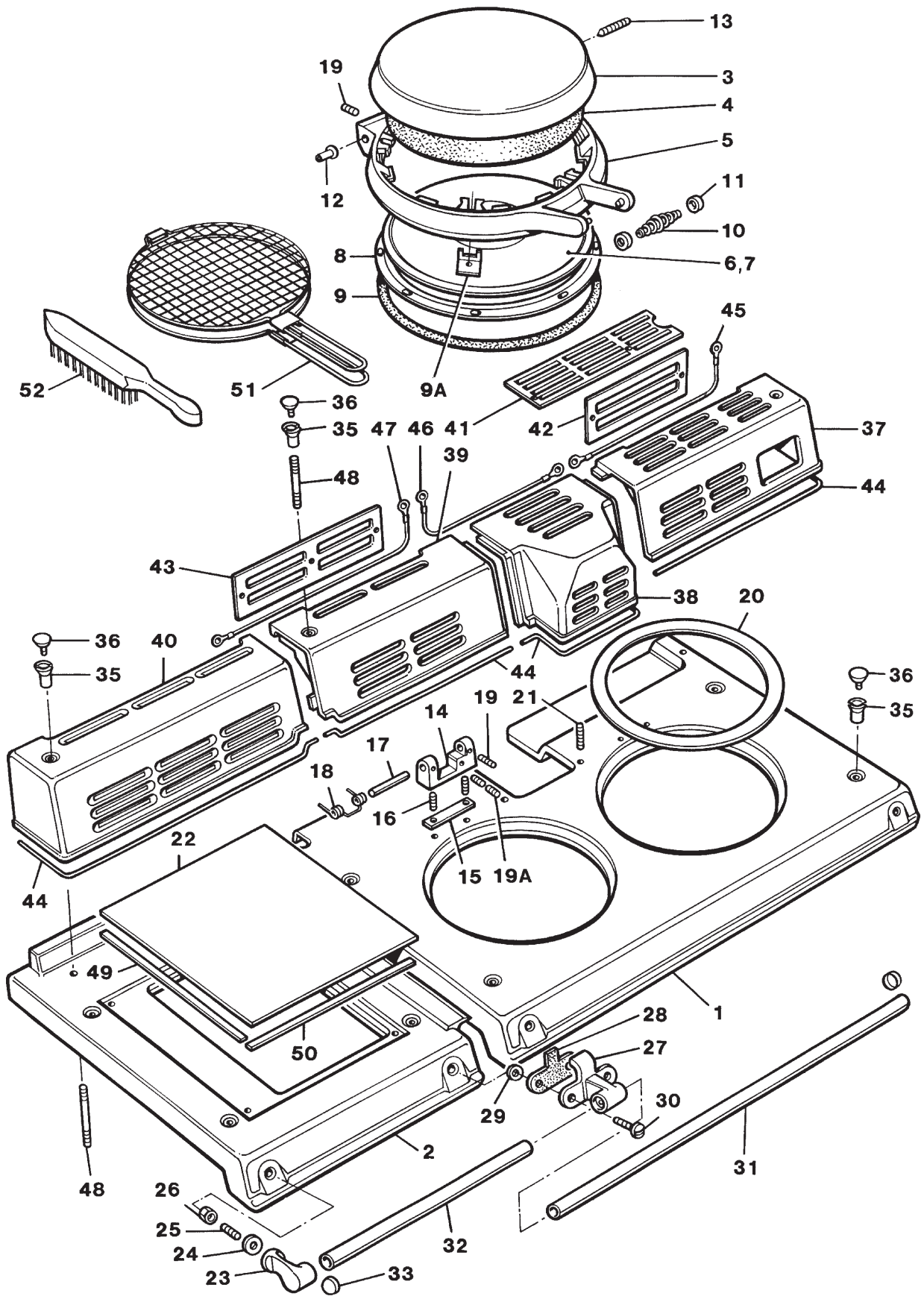


**AGA ELECTRIC MKIII 1
PHASE 4 OVEN**

***SPARE PARTS
MANUAL***



AGA ELECTRIC MKIII 1 PHASE 4 OVEN
 TOP PLATES & SHROUDS
 AGA HINGES & INSULATING COVERS (UP TO M05-008)

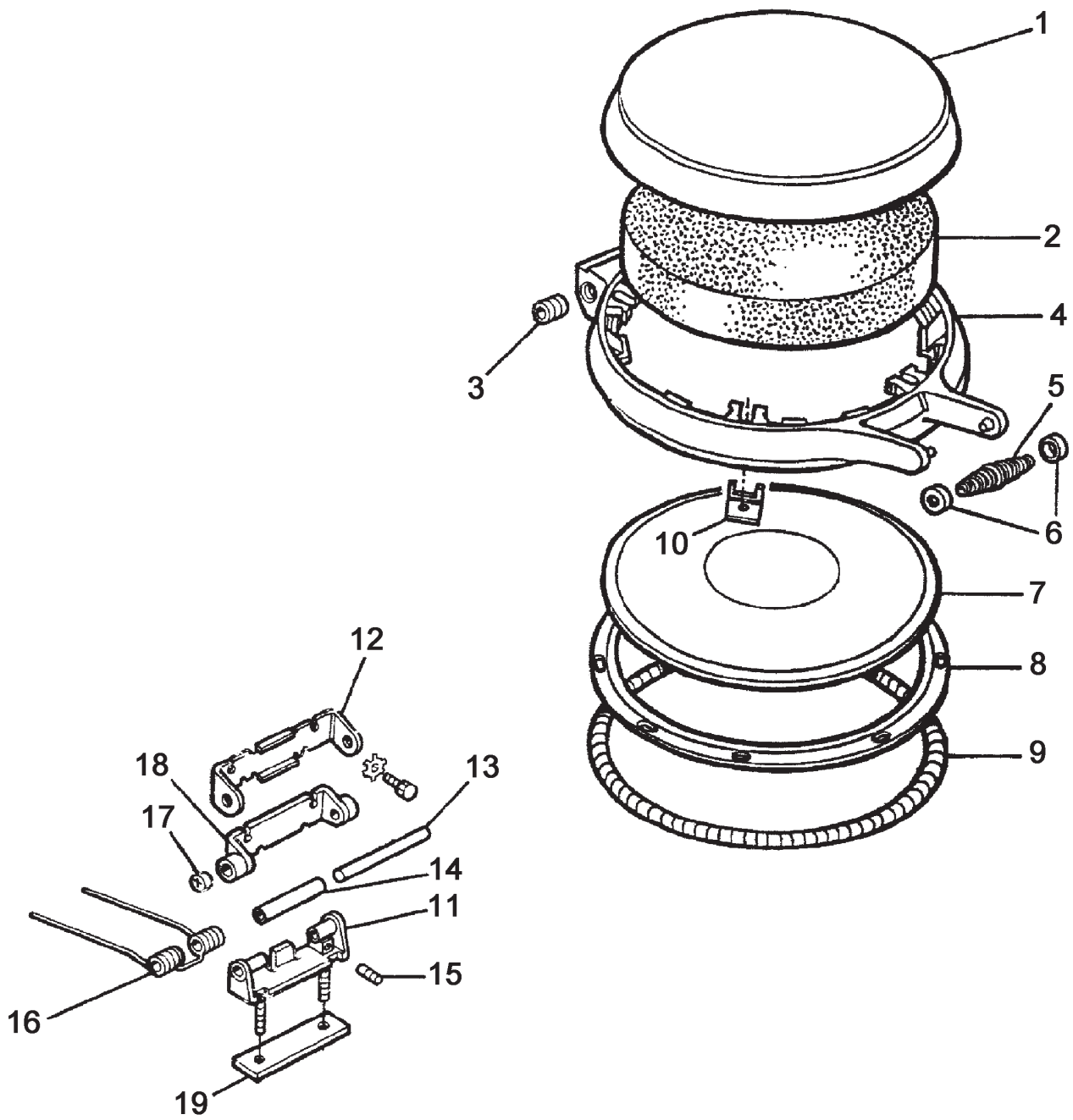
**AGA ELECTRIC MKIII 1 PHASE 4 OVEN OCTOBER 2010
TOP PLATES, INSULATING LIDS AND SHROUDS**

ITEM No.	CAT No.	DESCRIPTION	PRODUCT CODE
1	A2980	TOP PLATE - COOKER	AG5E210543
2	A2979	TOP PLATE - HOT CUPBOARD	AE5E230277
3	NCA	LID COVER (CHROME)	AG4M28101
	A3614	ST/ST INSULATING LID COVER (NOT SHOWN)	AG4M210905-K
	NCA	INSULATING LID (CI) (NOT SHOWN) (95-98)	AG5E210387
	NCA	INSULATING LID (CI) (NOT SHOWN) (98 ONWARDS)	AG5E210864
	A3757	STEEL DOME COMPLETE - LH	AE1M230386
	NCA	STEEL DOME COMPLETE - RH	AG1M210917
4	A5074	DOME INSULATION PAD - 50mm	JPAD211934
5	A3511	OUTER RING - LID	AG5E210862
6	A1632	INSULATING LID LINING	AS4M34760
7	A1632	INSULATING LID LINING	AS4M34760
8	A1647	INNER HOLDING RING	AS4M40980
9	A1863	SEAL	JMAR20410
9A	A3636	DOME CLAMPING BRACKET (ST/ST)	AG4M210904
10	R3028	COIL HANDLE	RO4M340522
11	R3029	CUP WASHER	RO4M340521
12	A3501	PIVOT BEARING - ADJUSTABLE	AG4M210620
13	A3283	GRUB SCREW SKT M10 x 25mm	KGRB500445
14	A3184	HINGE BRACKET	AG5E210860
15	A2589	GASKET - HINGE BRACKET	JGSG210477
16	A2081	STUD M6 x 25mm	AG4M211021
17	A3134	HINGE SPINDLE	AG4M210775
18	A3117	HINGE SPRING - ST/ST LID	AG9M998347
	A3118	HINGE SPRING - CI (NOT SHOWN)	AG9M998348
19	A2583	GRUB SCREW M6 x 6mm	KGRB500437
19A	A4101	M6 x 10mm LG SKT GRUB SCREW	KGRB50512
20	A1342	INSULATING RING	AG5M210840
21	A2986	ALLTHREAD M5 x 12mm LG	KSTD52085
22	A2474	HOTPLATE - COMPLETE AND SEALS	AG9M210402COMP
23	A2314	BRACKET - HANDRAIL	AG4M210853
24	A1472	WASHER - HANDRAIL BRACKET	JWSR313206
25	A4192	STUD - HANDRAIL BRACKET M8 x 35mm	KSTD500010
26	R2630	NUT M8	KNUT53061
27	A3622	BRACKET - HANDRAIL JOINTING	AG4M210854
28	A2532	GASKET - HANDRAIL JOINTING	JGSG210523
29	A3044	WASHER - HANDRAIL JOINTING	JWSR210469
30	A3109	SCREWS - HANDRAIL JOINTING M8 x 25mm	KMIS500305
31	A2414	HANDRAIL	AG4M210445
32	A2415	HANDRAIL	AG4M210446
33	A2975	END CAP - VINYL	AG4M210660
35	A2123	CORNER STAY NUT v- 5/16"	AG4M210244
36	A2119	CORNER STAY BUTTON - 5/16"	AG4M210228
	A2948	RH SHROUD ASSY - EARTHED (INCLS ITEMS 37, 41, 42 & 45)	AE1M998607
37	A3730	SHROUD RH	AE5E1-19630
	A2947	CENTRE FAN SHROUD ASSY -EARTHED (INCLS ITEMS 38 & 46)	AE1M998606
38	A4599	SHROUD FAN - CENTRE	AG5E210547
	A2949	LH CENTRE SHROUD ASSY - EARTHED (INCLS ITEMS 39, 43 & 47)	AE1M998605
39	A3729	SHROUD LH	AE5E1-18774
40	A1117	SHROUD HOT CUPBOARD	AE5E1-18772
41	A3780	TOP MASKING PLATE RH SHROUD	AE2V230069
42	A3529	FRONT MASKING PLATE	AE2V93036
43	A4510	MASKING PLATE LH SHROUD	AE2V90121
44	A1900	ROPE ø5 x 1300 LONG	JTHR20340
45	NCA	EARTH WIRE - RH SHROUD	AE4M600060
46		EARTH WIRE - CENTRE SHROUD	AE4M600060

**AGA ELECTRIC MKIII 1 PHASE 4 OVEN
TOP PLATES, INSULATING LIDS AND SHROUDS**

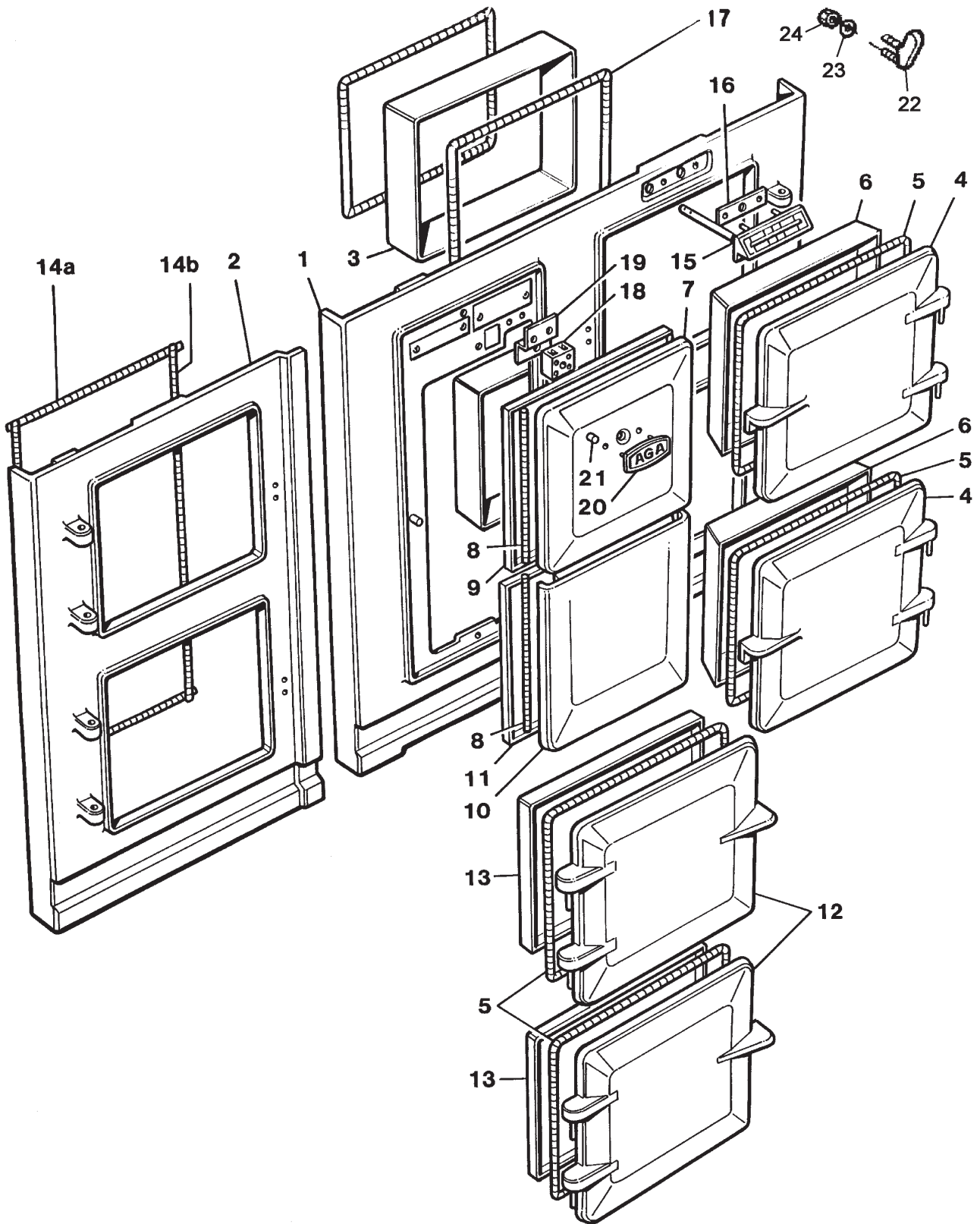
OCTOBER 2010

ITEM No.	CAT No.	DESCRIPTION	PRODUCT CODE
47	NCA	EARTH WIRE - LH SHROUD	AE4M600066
48	A1102	STAY ROD - LH & HOT CUPBOARD SHROUDS	AE4M44115
49	A3445	SEALING STRIP - LONG	JGSG210482
50	A3446	SEALING STRIP -S HORT	JGSG210483
51	A1843	TOASTER	EACS47380
52	A1841	WIRE BRUSH	EACS23230



AGA HINGES & INSULATING LIDS
FROM MOD CHANGE M05-008

ITEM No.	CAT No.	DESCRIPTION	PRODUCT CODE
1	A3614	ST/ST INSULATING COVER	AG4M210905-K
	NCA	INSULATING LID - C.I. (NOT SHOWN)	AG5E211528
	A4637	ST/ST DOME ASSY COMP - RH	AG1M211766
	A4639	CI DOME ASSY COMP - RH (NOT SHOWN)	AG1M211765
	A4638	ST/ST DOME ASSY COMP - LH (NOT SHOWN)	AE1M230689
	A4640	CI DOME ASSY COMP - LH (NOT SHOWN)	AE1M230688
2	A5074	DOVE INSULATION PAD - 50mm	JPAD211934
3	A4816	M12 x 16 GRUB SCREW	KGRB500520
4	A4825	INSULATING LID OUTER RING	AG5E211310
5	R3028	COIL HANDLE	RO4M340522
6	R3029	INSULATING LID HANDLE CUPS	RO4M340521
7	A1632	INSULATING LID LINING RH	AS4M34760
	A1682	INSULATING LID LINING RH	AS4M34760
8	A1647	INNER HOLDING RING	AS4M40980
9	A1863	DOVE SEALING ROPE	JMAR20410
10	A3636	DOVE CLAMPING BRKT - ST/ST LIDS ONLY	AG4M210904
11	A4641	HINGE ASSY WITHOUT SPRING	AG4M211742
11A	A4642	HINGE ASSY WITH SPRING - VE (UP TO M06-170)	AG4M211743
11B	A5157	HINGE ASSY - VE LIDS (FROM M06-170)	AG4M211921
12		PART OF ITEM 11 & 11A	
13		PART OF ITEM 11 & 11A	
14	NCA	SPINDLE SLEEVE (PART OF ITEM 11 & 11A)	AG4M997030
15	A5404	SCREW M5 x 16 LG GRUB	KGRB500521
16	A3646	SPRING (PART OF ITEM 11A/B)	AG4M210774
17	A4658	ADJUSTER (PART OF ITEM 11 & 11A)	AG4M997031
18		PART OF ITEM 11 & 11A	
19	A2589	HINGE BLOCK GASKET	JGSG210477
19A	NCA	GASKET HINGE BLOCK - VE LIDS (FROM M06-170)	JGSG211914

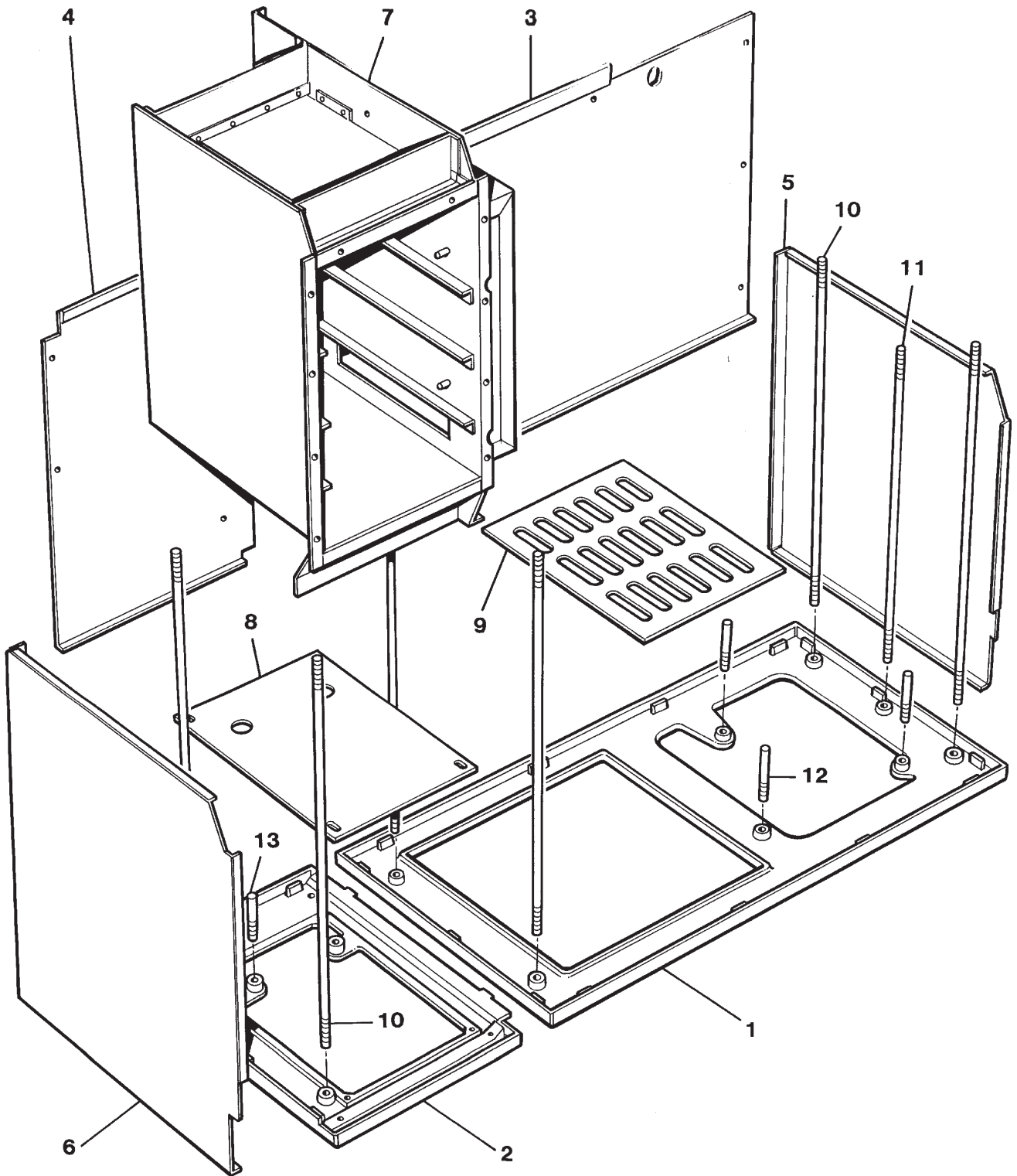


AGA ELECTRIC MKIII 1 PHASE 4 OVEN
 FRONT PLATES & DOORS

**AGA ELECTRIC MKIII 1 PHASE 4 OVEN
FRONT PLATE & DOORS**

OCTOBER 2010

ITEM No.	CAT No.	DESCRIPTION	PRODUCT CODE
1	NCA	FRONT PLATE - COOKER	AE5E230270
2	A5303	FRONT PLATE - HOT CUPBOARD	AG5E210281
3	A4784	INSULATING FRAME	AG4M211602
4	A1709	OVEN DOOR COMPLETE - TOP RH	AS9E1-9285E
4A	A1710	OVEN DOOR COMPLETE - BOTTOM RH	AS9E1-9285F
5	A3935	ROPE SEAL \varnothing 13 x 1230	AG4M997916
6	A1482	COVER - INSULATION	AO2M90347
7	NCA	TOP ACCESS DOOR	AE5E1-17823
8	NCA	ROPE SEAL \varnothing 13 x 285	AE1M230124
9	A5045	LINING - TOP ACCESS DOOR	AE2M93090
10	NCA	BOTTOM ACCESS DOOR	AE5E1-17990
11	A5399	LINING - BOTTOM ACCESS DOOR	AE1M230262
12	A1711	DOOR HOT CUPBOARD - TOP	AS9E1-9285G
12A	A1712	H/CUPBOARD BOTTOM OVEN DOOR	AS9E1-9285H
13	A1483	COVER - INSULATION	AO2M90348
14a	A2290	ROPE SEAL 12W x 3 THK x 350	JTHR20394
14b	A2290	ROPE SEAL 12W x 3 THK x 642	JTHR20394
15	A1114	THERMOMETER - UP TO M10-102	AE4T46285
	A5662	BRANNAN HEAT INDICATOR & SPARES KIT PRE- M10-102	AG9M996187
	NCA	LIQUID FILLED HEAT INDICATOR - FROM M10-102	AE4T231182
16		RETAINING PLATE - UP TO M10-102	AO2M220004
17	A2860	SEAL - INSULATING FRAMES	JTHR210645
18	A1106	TERMINAL BLOCK 2 WAY	AE4M45664
19	A4190	BRACKET - TERMINAL BLOCK	AE2M230428
20	A2274	'AGA' BADGE	AG4M210184
21	NCA	TUBE CLIPS	KCLP26230
22	A3956	DOOR CATCH	AG4M250478
23	A4706	DOOR CATCH GASKET	JGSG211270
24	A4707	LOCKNUT M5	KNUT500485

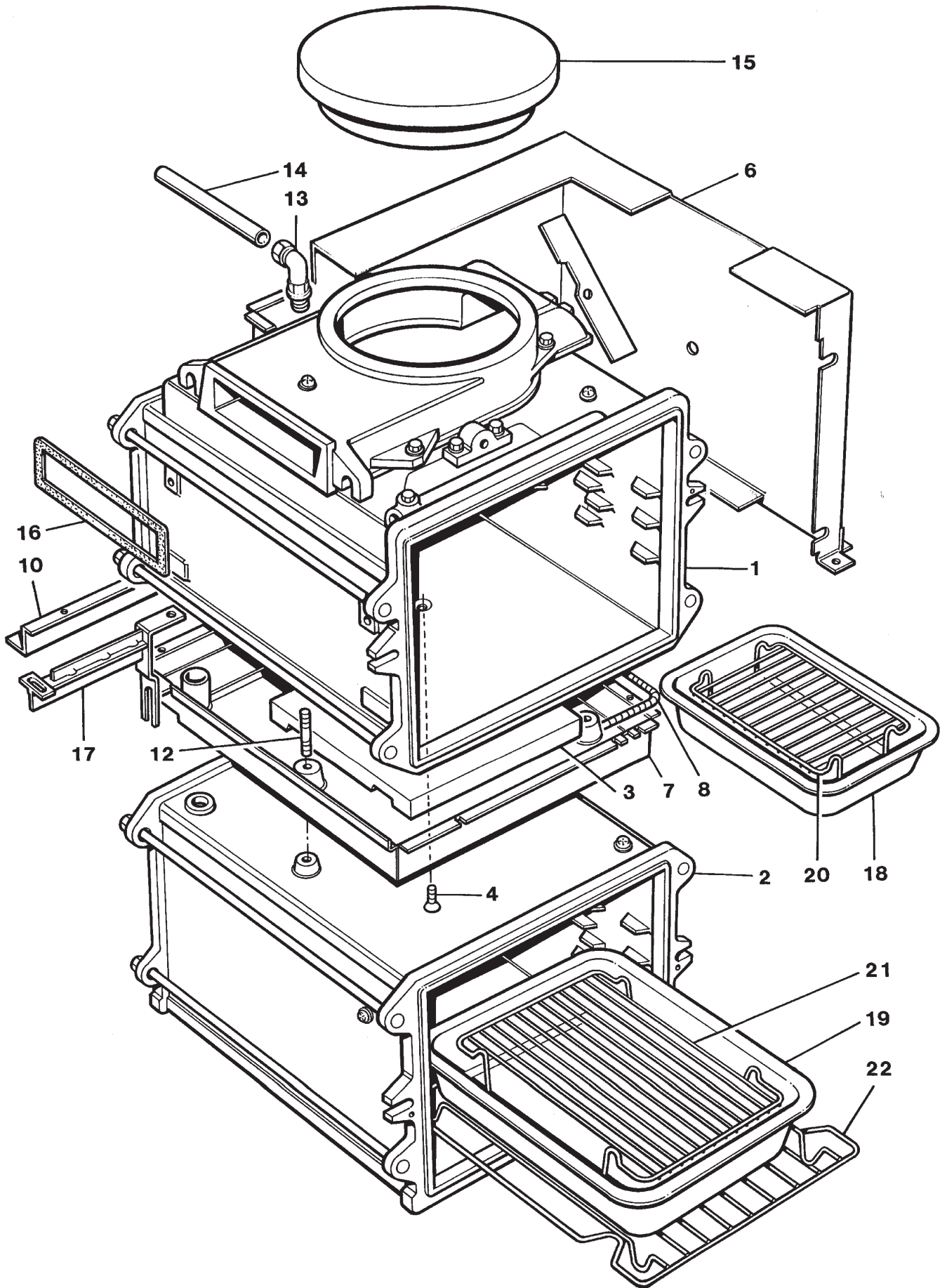


AGA ELECTRIC MKIII 1 PHASE 4 OVEN
 BASES, SIDES & BACK PLATES, HOT CUPBOARD
 (OVENS)

**AGA ELECTRIC MKIII 1 PHASE 4 OVEN
BASES, SIDES & BACK PLATES, HOTCUPBOARD (OVENS)**

OCTOBER 2010

ITEM No.	CAT No.	DESCRIPTION	PRODUCT CODE
1	A5380	BASE PLATE - COOKER	AE5M230650
2	A1345	BASE PLATE - HOT CUPBOARD	AG5M81629
3	NCA	BACK PLATE - COOKER	AE2M230310
4	A3349	BACK PLATE - HOT CUPBOARD	AE2M230295
5	A1051	SIDE PLATE - COOKER	AE2V90604
6	A1050	SIDE PLATE - HOT CUPBOARD	AE2V90603
7	A3662	OVENS - HOT CUPBOARD	AE2V230076
8	A2376	BASE PLATE FILLER PIECE - HOT CUPBOARD	AO2V91075
9	A3647	OVEN DIVIDING SHELF - PERFORATED	AO5V211617
10	A2118	CORNER STAY ROD	AG4M210226
11	A1657	OVEN STAY ROD	AS4M43970
12	A2343	STUD - OVEN SUPPORT - 1/2" x 5 1/4" LG	KS4M44640
13	A3896	STUD - OVEN SUPPORT - 1/2" BSW x 140mm	AG4M211148



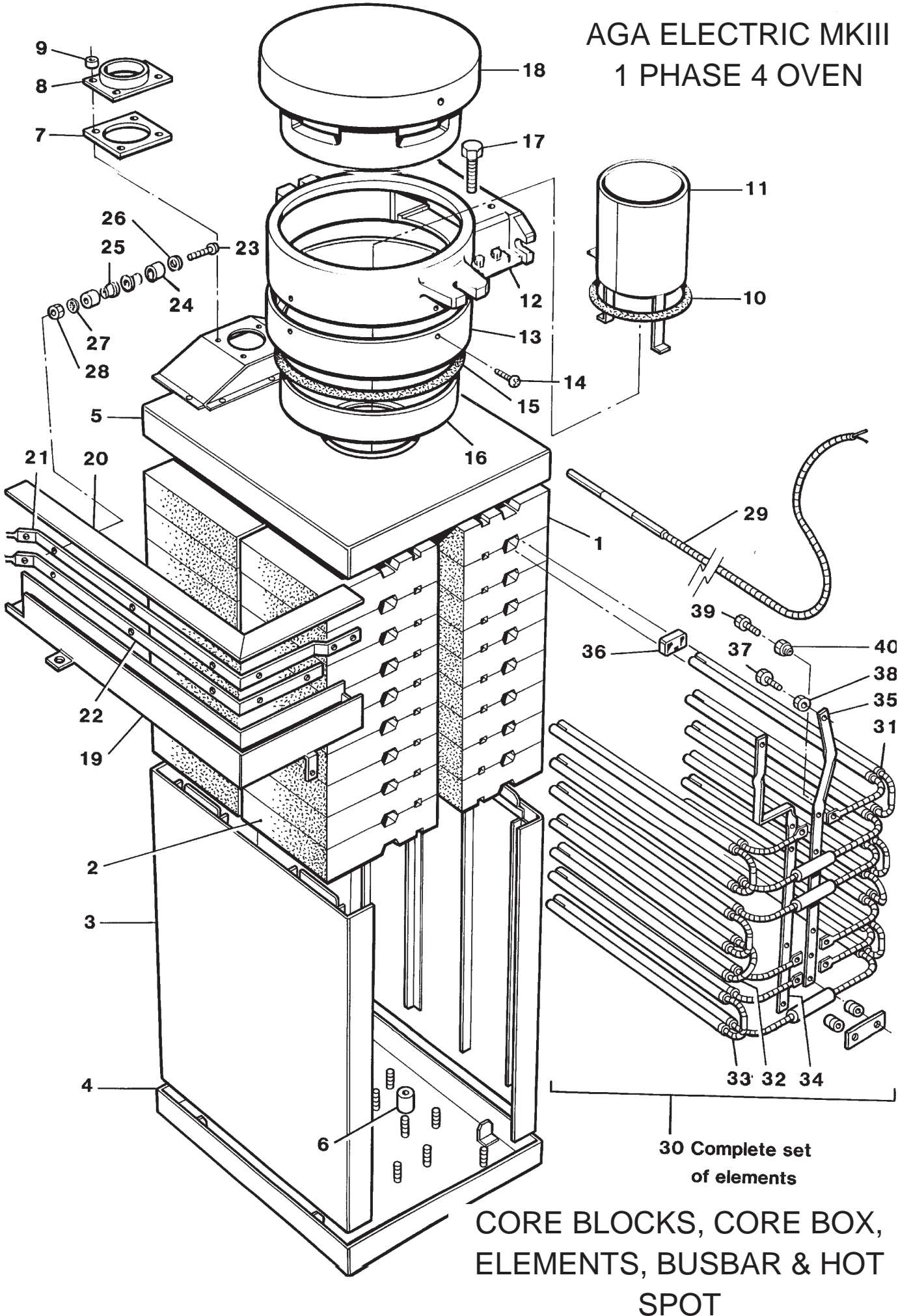
AGA ELECTRIC MKIII 1 PHASE 4 OVEN
OVENS & ACCESSORIES, SIMMERING PLATE

**AGA ELECTRIC MKIII 1 PHASE 4 OVEN
OVENS & ACCESSORIES, SIMMERING PLATE**

OCTOBER 2010

ITEM No.	CAT No.	DESCRIPTION	PRODUCT CODE
1	A3392	ROASTING OVEN ASSEMBLY	AE1M230213
2	A3524	BAKING OVEN	AE1M230002
3	A1122	HEAT CONDUCTING PLATE	AE5M1-10034
4	A2068	SCREW M12 x 30	KCSK500018
5			
6	A2408	BACK & SIDE AIR DUCT	AE1M230134
7	A5438	BOTTOM AIR DUCT ASSY	AE1M230289
8	NCA	ROPE 12 x 3 x 1900	JTHR230042
9			
10	NCA	OVEN DUCT SUPPORT	AE2M90656
11			
12	NCA	SCREW M12 x 40	KGRB500338
13	A1083	ELWBOW 1" x 28 O/D	AE4M28722
14	A2142	TUBE 28 O/D x 550	AE4M48001
15	A1125	SIMMERING PLATE	AE4M3-19011
16	A2308	GASKET - OUTER BARREL	JGSG210327
17	A1103	OUTER BARREL SUPPORT	AE4M44751
18	A3284	ROASTING TIN - SMALL	EMTY530217
19	A3285	ROASTING TIN - LARGE	EMTY530218
20	A2312	GRILL RACK - SMALL	AG4M210269
21	A2313	GRILL RACK - LARGE	AG4M210268
22	A1282	GRID SHELF	AE4M211863

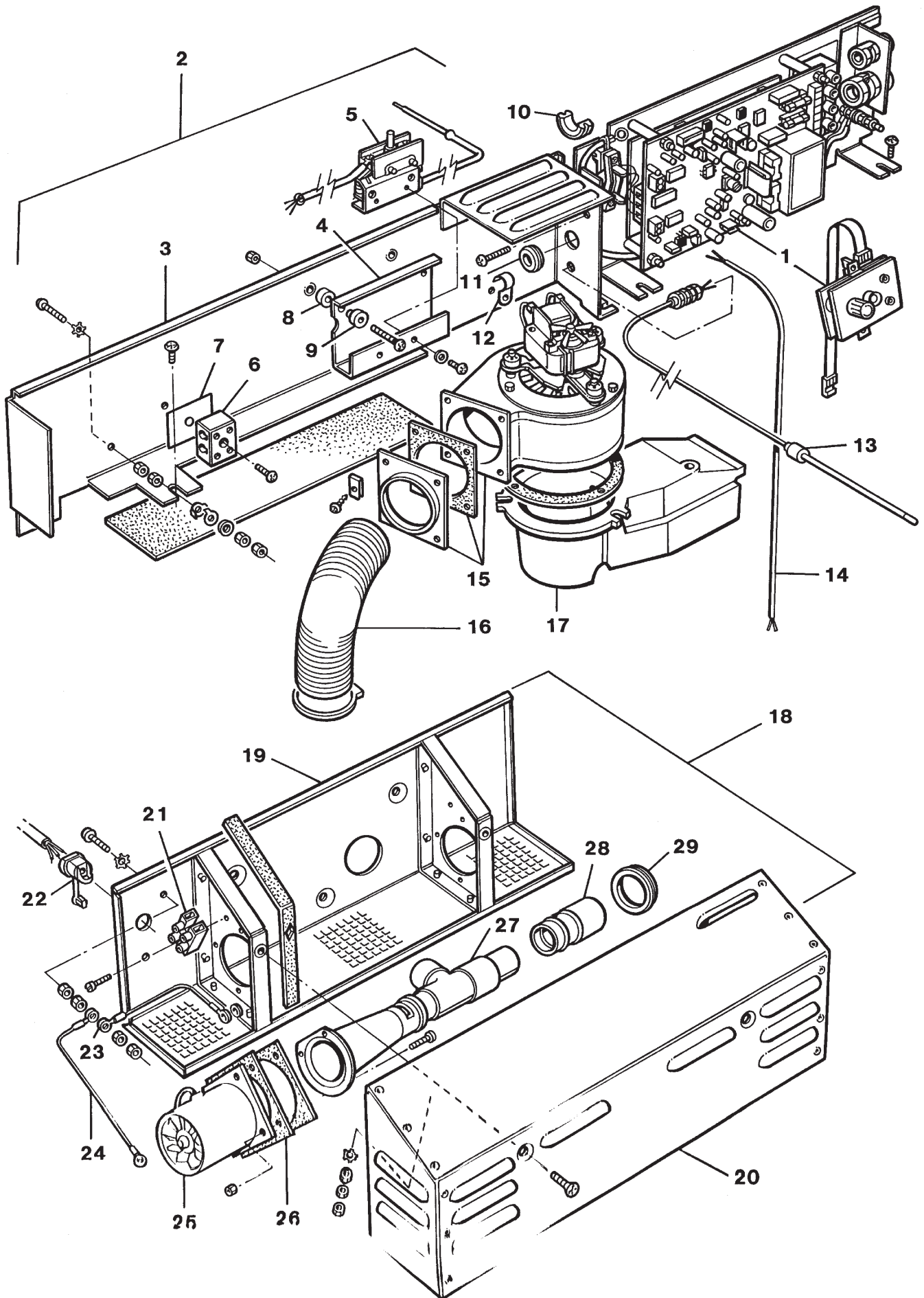
AGA ELECTRIC MKIII 1 PHASE 4 OVEN



CORE BLOCKS, CORE BOX,
ELEMENTS, BUSBAR & HOT
SPOT

**AGA ELECTRIC MKIII 1 PHASE 4 OVEN JUNE 2011
CORE BLOCKS, CORE BOX, ELEMENTS, BUSBAR & HOTSPOT**

ITEM No.	CAT No.	DESCRIPTION	PRODUCT CODE
	A1072	CORE BLOCK SET (CONSISTS OF ITEMS 1 & 2)	AE4M26456
1	A1070	CORE BLOCKS - RH SIDE	AE4M26454
2	NCA	CORE BLOCKS - LH SIDE	AE4M26451
3	NCA	CORE BOX BODY ASSEMBLY	AE1M230173
4	A5633	CORE BOX BASE ASSEMBLY	AE1M230175
5	A3145	CORE BOX CAP ASSEMBLY	AE1M230170
6	A1068	SUPPORT BOBBIN - CORE	AE4M26448
7	A1860	GASKET	JGSG42850
8	A1101	SPIGOT	AE2M230742
9	A1062	MALE - SPLIT BUSH	AE4M24343
10	A1850	ROPE 20 DIA x 430	JCRP20250
11	A1113	AIR TUBE ASSEMBLY	AE1M230416
12	A1120	OUTER BARREL TOP	AE5M0-18002
13	A2962	OUTER BARREL BASE	AE2M230288
14	R4535	SCREW M5 x 10	KHEX50931
15	A2240	20mm CERAMIC ROPE x 2m LG	JCRP20398X2MTR
16	A2954	RING COLLAR	AE2M230329
17	NCA	SCREW M12 x 80	KHEX500042
18	A1124	HOT SPOT	AE4M1-19040
19	A2216	CHANNEL ASSEMBLY - BUSBAR	AE1M230167
20	NCA	INNER BUSBAR	AE4M230250
21	NCA	OUTER BUSBAR	AE4M230251
22	A2217	COVER ASSEMBLY - BUSBAR	AE1M230168
23	NCA	SCREW M5 x 40 PAN HEAD POZI	KPAN52530
24	A1063	SPLIT BUSH - FEMALE	AE4M24343
25	A1062	SPLIT BUSH - MALE	AE4M24342
26	C1553	WASHER PLAIN - M5	KWSR53399
27	A3878	WASHER - SHAKEPROOF - M5	KWSR53304
28	NCA	NUT - HEX FULL - M5	KNUT52916
29	A1075	CORE THERMOCOUPLE	AE4M26603
30	A2390	ELEMENT SET	AE4M230274
31	A3531	TOP BANK - ELEMENTS	AE4M998341
32	A3532	MIDDLE BANK - ELEMENTS	AE4M998342
33	A3533	BOTTOM BANK - ELEMENTS	AE4M998343
34	NCA	LH VERTICAL LINKAGE	AE4M230282
35	NCA	RH VERTICAL LINKAGE	AE4M230281
36	NCA	END SPACER	AE4M230237
37	NCA	SCREW M4 x 10 (A4)	KHEX52542
38	A2203	NUT M4 (A4)	KNUT52919
39	NCA	SCREW M5 x 12 (A4)	KHEX50903
40	R1060	NUT M5 (A4)	KNUT35271

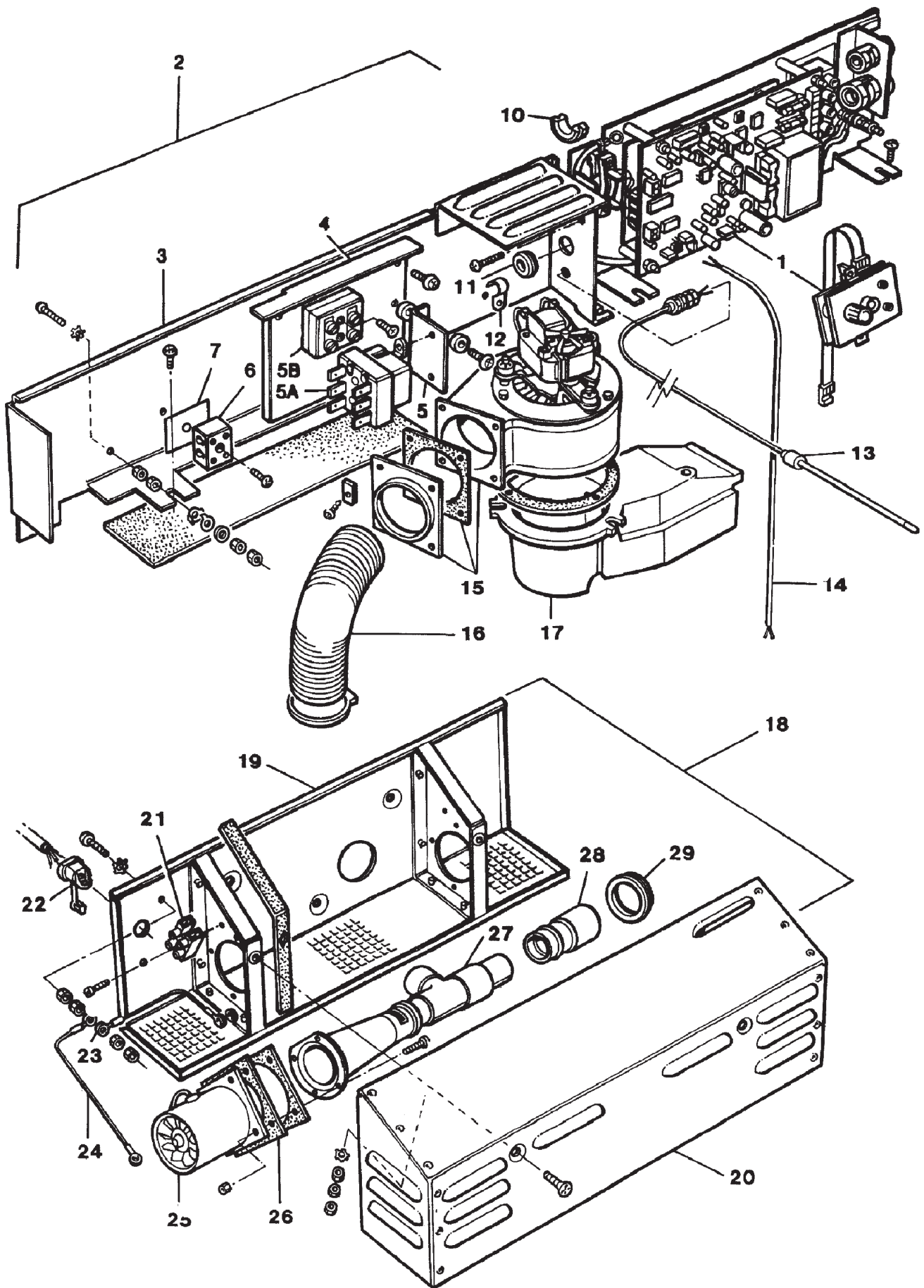


AGA ELECTRIC MKIII 1 PHASE 4 OVEN
CHASSIS, CONTROLLER, CIRC FAN & VENT FAN

**AGA ELECTRIC MKIII 1 PHASE 4 OVEN
CHASSIS, CONTROLLER, CIRC FAN & VENT FAN (UP TO M01-130)**

OCTOBER 2010

ITEM No.	CAT No.	DESCRIPTION	PRODUCT CODE
1	A2897	CONTROLLER	AE4M230353
2	A2207	CHASSIS REAR SHIELD ASSEMBLY	AE1M230406
3	NCA	REAR SHIELD PLATE ASSY	AE1M230366
4	NCA	MOUNTING BRACKET	AE2M230043
5	NCA	MANUAL RESET THERMOSTAT (ESSEX - USE 5A)	AE4T46850
5A	A3912	'EGO' THERMOSTAT 'UNIVERSAL CONVERSION KIT	AE4M998713
6	A1109	2 WAY TERMINAL BLOCK	AE4M45679
7	NCA	INSULATOR	AE4M45674
8	A1063	SPLIT BUSH - FEMALE	AE4M24343
9	A1062	SPLIT BUSH - MALE	AE4M24342
10	R2709	GROMMET	AO4M31370
11	NCA	GROMMET	AE4M230041
12	A3087	CLIP	AE4M240058
13	A2937	OVEN THERMOCOUPLE	AE4M230348
14	NCA	COMPENSATING EXTENSION LEAD	AE1M680006
15	A2054	AIR CIRCULATION FAN	AE9M230007
15A	A5453	NYLON IMPELLOR (NOT SHOWN)	AE4M997740
16	A1080	FLEXIBLE DUCT	AE4M28436
17	A1123	FAN MOUNTING BRACKET	AE5M1-17972
18	A2107	OVEN VENT FAN ASSEMBLY	AE9M230005COMP
19	A4899	HOUSING ASSEMBLY	AE1M230093
20	A3549	COVER ASSY	AE1M230063
21	A2471	12 WAY TERMINAL BLOCK	AE4M45669
22	R2433	STRAIN RELIEF BUSH	GG4M24197
23	NCA	EARTH WIRE	AE1M600104
24	NCA	EARTH WIRE	AE1M600054
25	A1086	FAN	AE4M29239
26	A1876	GASKET	JPAD37254
27	A4869	DUCT ASSEMBLY	AE4M230094
28	NCA	OUTLET NOZZLE	AE4M40650
29	NCA	GROMMET	AE4M230092



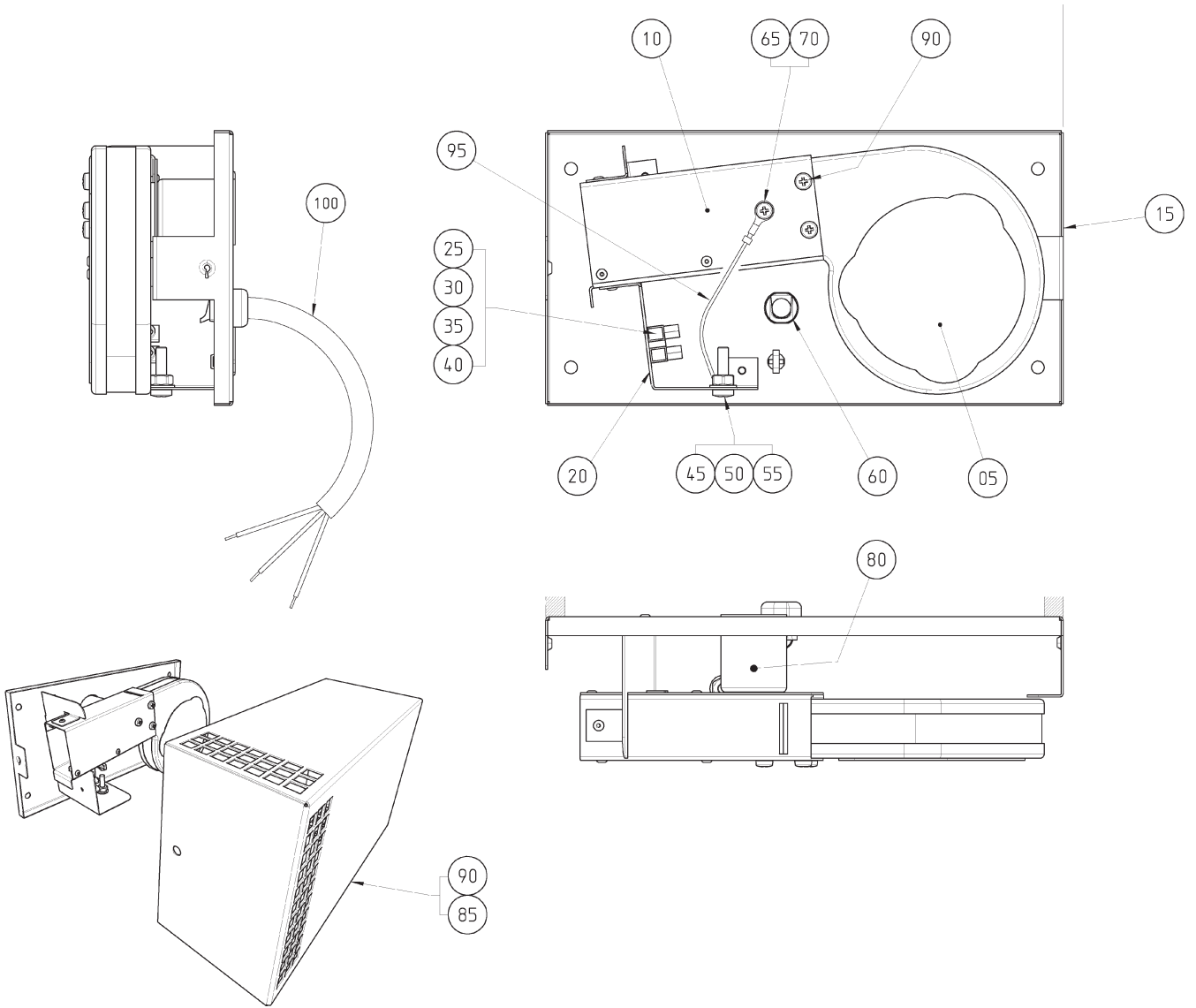
AGA ELECTRIC MKIII 1 PHASE 4 OVEN
 EGO CHASSIS, CONTROLLER, CIRC FAN & VENT FAN

AGA ELECTRIC MKIII 1 PHASE 4 OVEN

OCTOBER 2010

CHASSIS, CONTROLLER, CIRC FAN & VENT FAN (FROM M01-130)

ITEM No.	CAT No.	DESCRIPTION	PRODUCT CODE
1	A2897	CONTROLLER	AE4M230353
2	A2207	CHASSIS REAR SHIELD ASSEMBLY (EGO)	AE1M230406
3	NCA	REAR SHIELD PLATE ASSY	AE1M230366
4	NCA	ADAPTOR BRACKET	AE2M230403
5	A4413	MOUNTING BRACKET	AE2M230402
5A	A3915	MANUAL RESET THERMOSTAT (EGO)	AE4T230401
5B	A3914	TERMINAL BLOCK (METWAY 339K)	AE4M230404
6	A1109	2 WAY TERMINAL BLOCK	AE4M45679
7	NCA	INSULATOR	AE4M45674
8	A1063	SPLIT BUSH - FEMALE	AE4M24343
9	A1062	SPLIT BUSH - MALE	AE4M24342
10	R2709	GROMMET	AO4M31370
11	NCA	GROMMET	AE4M230041
12	A3087	CLIP	AE4M240058
13	A2937	OVEN THERMOCOUPLE	AE4M230348
14	NCA	COMPENSATING EXTENSION LEAD	AE1M680006
15	A2054	AIR CIRCULATION FAN	AE9M230007
15A	A5453	NYLON IMPELLOR (NOT SHOWN)	AE4M997740
16	A1080	FLEXIBLE DUCT	AE4M28436
17	A1123	FAN MOUNTING BRACKET	AE5M1-17972
18	A2107	OVEN VENT FAN ASSEMBLY - UP TO M08-003	AE9M230005COMP
19	A4899	HOUSING ASSEMBLY - UP TO M08-003	AE1M230093
20	A3549	COVER ASSY - UP TO M08-003	AE1M230063
21	A2471	12 WAY TERMINAL BLOCK - UP TO M08-003	AE4M45669
22	R2433	STRAIN RELIEF BUSH - UP TO M08-003	GG4M24197
23	NCA	EARTH WIRE - UP TO M08-003	AE1M600104
24	NCA	EARTH WIRE - UP TO M08-003	AE1M600054
25	A1086	FAN - UP TO M08-003	AE4M29239
26	A1876	GASKET - UP TO M08-003	JPAD37254
27	A4869	DUCT ASSEMBLY - UP TO M08-003	AE4M230094
28	NCA	OUTLET NOZZLE - UP TO M08-003	AE4M40650
29	NCA	GROMMET - UP TO M08-003	AE4M230092



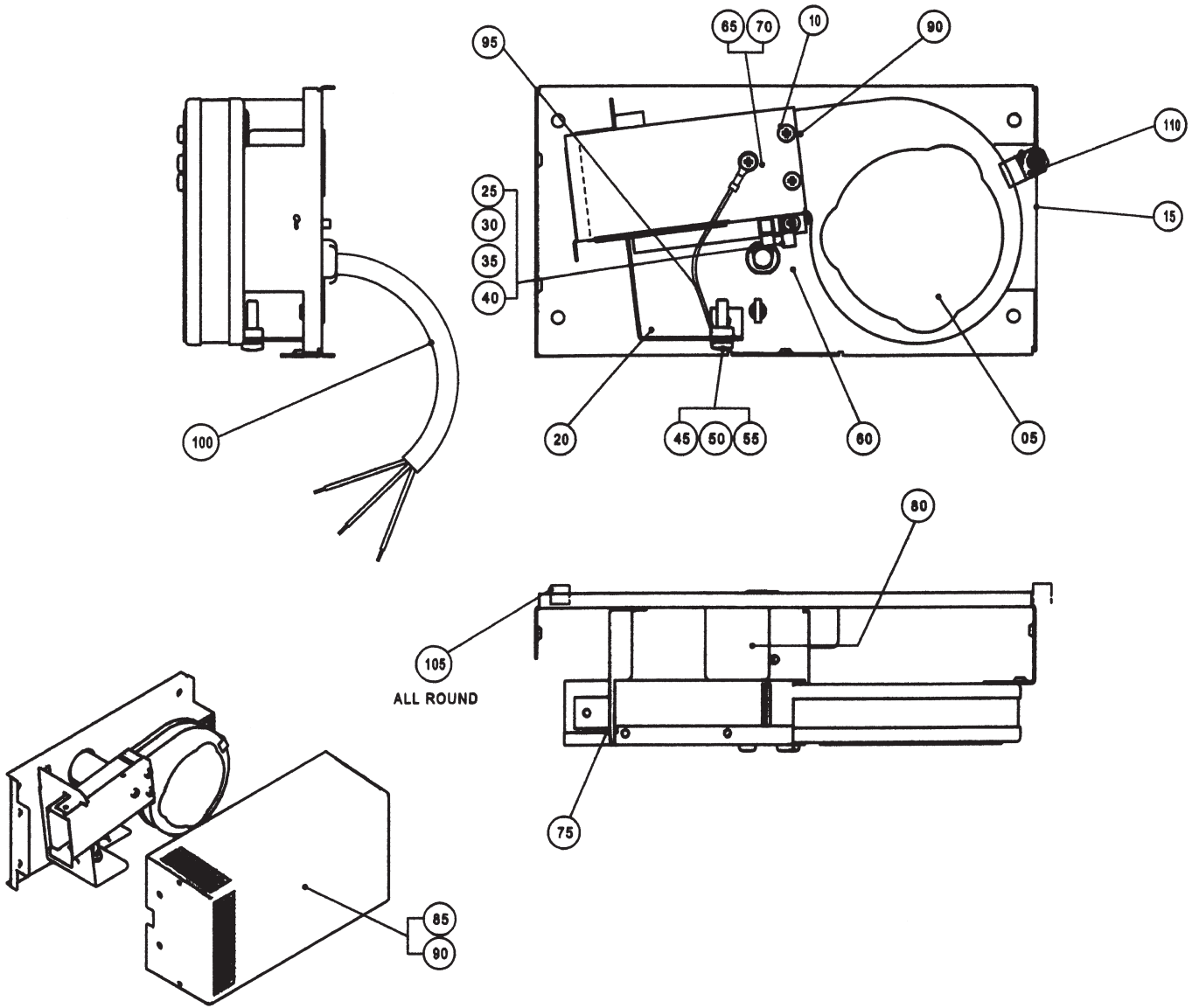
AGA ELECTRIC MKIII 1 PHASE 4 OVEN
 OVEN VENTING FAN ASSEMBLY UP TO M08-174

AGA ELECTRIC MKIII 1 PHASE 4 OVEN

OCTOBER 2010

OVEN VENTING FAN ASSEMBLY - M08-003TO M08-174

ITEM No.	CAT No.	DESCRIPTION	PRODUCT CODE
01	A5305	OVEN VENTING FAN ASSEMBLY	AE1M230945
05	A5384	FAN 24 V 5W	AE4M230946
10	NCA	DUCT ASSEMBLY	AE1M230966
15	NCA	BACK PLATE	AE2M230951
20	NCA	SUPPORT PLATE	AE2M230950
25	A2471	12-WAY TERMINAL BLOCK	AE4M45669
30	NCA	M3 x 16 POZI HEAD	KPAN500045
35	NCA	M4 PLAIN WASHER	KWSR53667
40	NCA	M3 FULL NUT	KNUT500099
45	NCA	M3.5 x 16 LG PAN HD SCREW	KPAN500367
50	R5839	M4 EXT SHAKEPROOF WASHER	KWSR53282
55	NCA	M3.5 FULL NUT	KNUT500379
60	R2433	STRAIN RELIEF BUSH	GG4M24197
65	R4645	M4 x 10 LG PAN HD SCREW	KPAN500385
70	NCA	M4 FULL NUT	KNUT52917
80	A5411	VENT FAN CASING	AE4M230962
85	NCA	FRONT COVER	AE2M230992
95	NCA	EARTH WIRE ASSEMBLY	AE4M230976
100	A4840	MAINS CABLE	AE4M230380

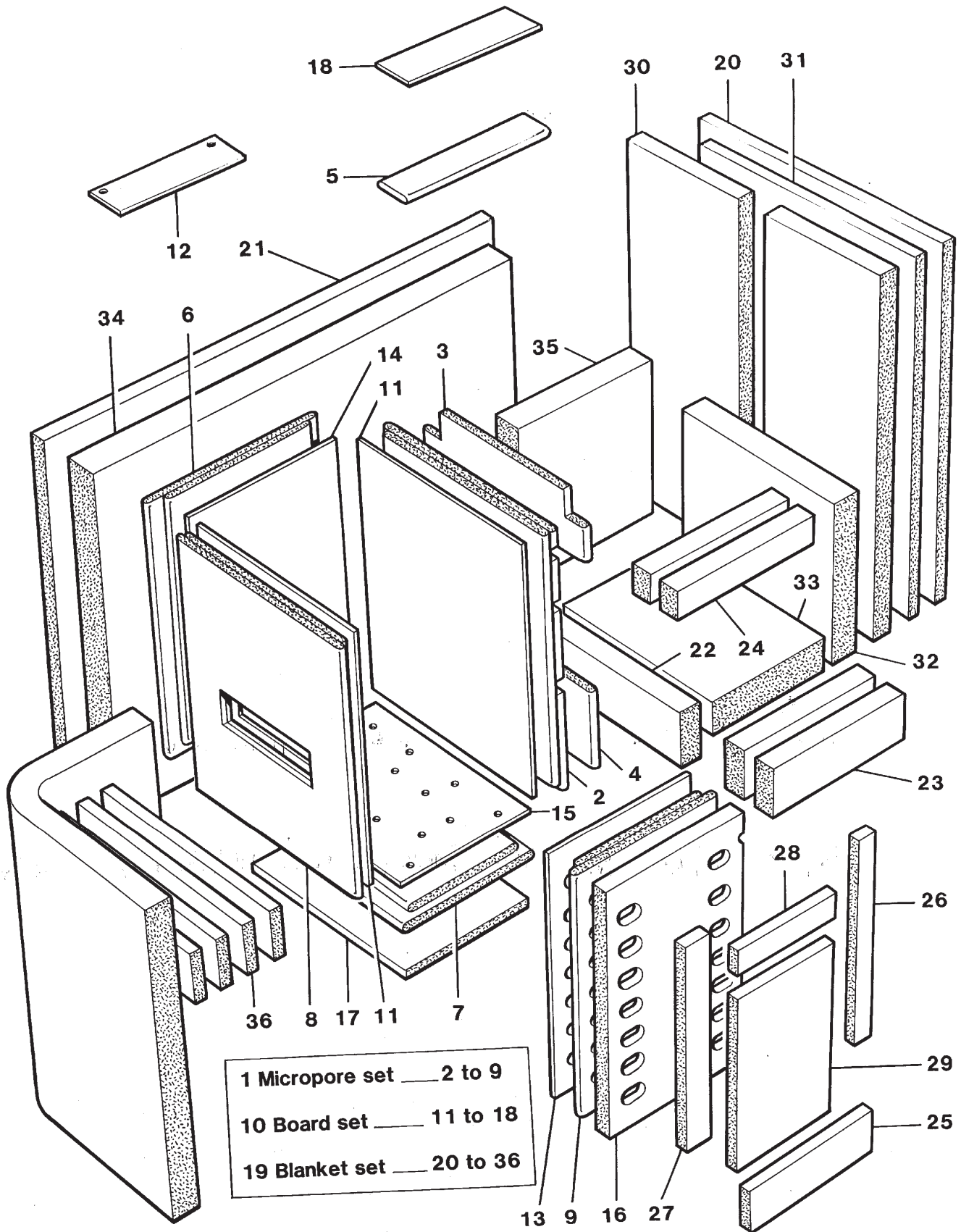


AGA ELECTRIC MKIII 1 PHASE 4 OVEN
 OVEN VENTING FAN ASSEMBLY FROM M08-174

**AGA ELECTRIC MKIII 1 PHASE 4 OVEN
OVEN VENTING FAN ASSEMBLY - FROM M08-174**

OCTOBER 2010

ITEM No.	CAT No.	DESCRIPTION	PRODUCT CODE
	A5305	OVEN VENTING FAN ASSY (INCLS ITEMS 05, 10, 25, 30, 40, 45, 50 55, 60, 65, 70, 75, 80, 85, 90, 95, 100, 105, 110)	AE1M231006
05	A5384	FAN - 24V 5W	AE4M230946
10	NCA	DUCT ASSEMBLY	AE1M231007
15	NCA	BACK PLATE	AE2M230991
20	NCA	SUPPORT PLATE	AE2M230950
25	A2471	12-WAY TERMINAL BLOCK	AE4M45669
30	NCA	M3 x 16 POZI PAN HD	KPAN500045
35	NCA	M4 PLAIN WASHER	KWSR53667
40	NCA	NUT M3 HEX	KNUT500099
45	NCA	M3.5 x 16 LG PAN HD SCREW	KPAN500367
50	R5839	M4 EXT SHAKEPROOF WASHER	KWSR53282
55	NCA	M3.5 FULL NUT	KNUT500379
60	R2433	STRAIN RELIEF BUSH	GG4M24197
65	R4645	M4 x 10mm POZI PAN HD	KPAN500385
70	NCA	M4 FULL NUT	KNUT52917
75	A4363	3.2mm x 6mm LG POP RIVET	KRPT41079
80	A5411	VENT FAN COATING	AE4M230962
85	NCA	FRONT COVER	AE2M230992
90	NCA	No. 8 x 3/8" LG SELF TAPPER	KPAN52549
95	NCA	EARTH WIRE ASSY	AE4M230976
100	A4840	MAINS CABLE	AE4M230380
105	NCA	TAPE ADHESIVE	AE4M20088
110	NCA	FAN SUPPORT BRACKET	AE2M231005



AGA ELECTRIC MKIII 1 PHASE 4 OVEN
INSULATION

**AGA ELECTRIC MKIII 1 PHASE 4 OVEN
INSULATION**

OCTOBER 2010

ITEM No.	CAT No.	DESCRIPTION	PRODUCT CODE
1	A2057	INSULATION - MIRCOPORE SET	AE9M230111
2	NCA	COREBOX RH SIDE	JPAD37299
3	NCA	TOP OVEN LH SIDE	JPAD37270
4	NCA	BOTTOM OVEN LH SIDE	JPAD37271
5	NCA	TOP PLATE U/SIDE	JPAD37213
6	NCA	BACK SET	JPAD37228
7	NCA	BASE SET	JPAD37324
8	NCA	CORE BOX LH SIDE	JPAD37323
9	NCA	CORE BOX FRONT	JPAD230287
10	A1978	INSULATION - BOARD SET	AE9M230110
11	NCA	600 x 408 x 3 O/D SIDE RH SIDE	JPAD37264
12	NCA	TOP PLATE CHASSIS	JPAD37207
13	NCA	390 x 600 x 3 INSIDE FRONT	JPAD37283
14	NCA	390 x 600 x 3 INSIDE BACK	JPAD37333
15	NCA	390 x 465 x 3 INSIDE BASE	JPAD37329
16	NCA	CORE BOX FRONT	JPAD37282
17	NCA	412 x 508 x 20 CORE BOX BASE	JPAD37216
18	NCA	250 x 85 x 3 UNDER CONTROLLER	JPAD37251
19	A2058	INSULATION - BLANKET SET	AE4M230109
20	NCA	650 x 820 x 13 OUTER RH SIDE	JPAD37312
21	NCA	940 x 820 x 19 OUTER BACK	JPAD37214
22	NCA	530 x 138 x 38 U/SIMMERING OVEN	JPAD37194
23	NCA	400 x 138 x 38 B/T SIMMERING OVEN & BASE	JPAD37195
24	NCA	400 x 60 x 38 B/T ROAST & SIMMERING OVEN	JPAD37308
25	NCA	470 x 150 x 25 FRONT OF ELEMENTS BOTTOM	JPAD37302
26	NCA	550 x 60 x 25 FRONT OF ELEMENTS RH SIDE	J[AD37303
27	NCA	550 x 120 x 25 FRONT OF ELEMENTS LH SIDE	JPAD37304
28	NCA	300 x 100 x 25 FRONT OF ELEMENTS TOP	JPAD37305
29	NCA	300x 450 x 25 FRONT OF ELEMENTS CENTRE	JPAD37196
30	NCA	305 x 820 x 25 RH SIDE FRONT/REAR	JPAD37286
31	NCA	610 x 820 x 13 RH SIDE MIDDLE	JPAD37287
32	NCA	360 x 500 x 38 RH SIDE BOTTOM INNER	JPAD37288
33	NCA	500 x 430 x 38 RH SUDE BOTTOM OVEN BASE	JPAD37289
34	NCA	940 x 820 x 50 MID BACK	JPAD37284
35	NCA	430 x 430 x 38 BOTTOM OVEN BACK INNER	JPAD37298
36	NCA	570 x 202 x 25 B/T HOTCUPBOARD DUCT & BASE	JPAD37337