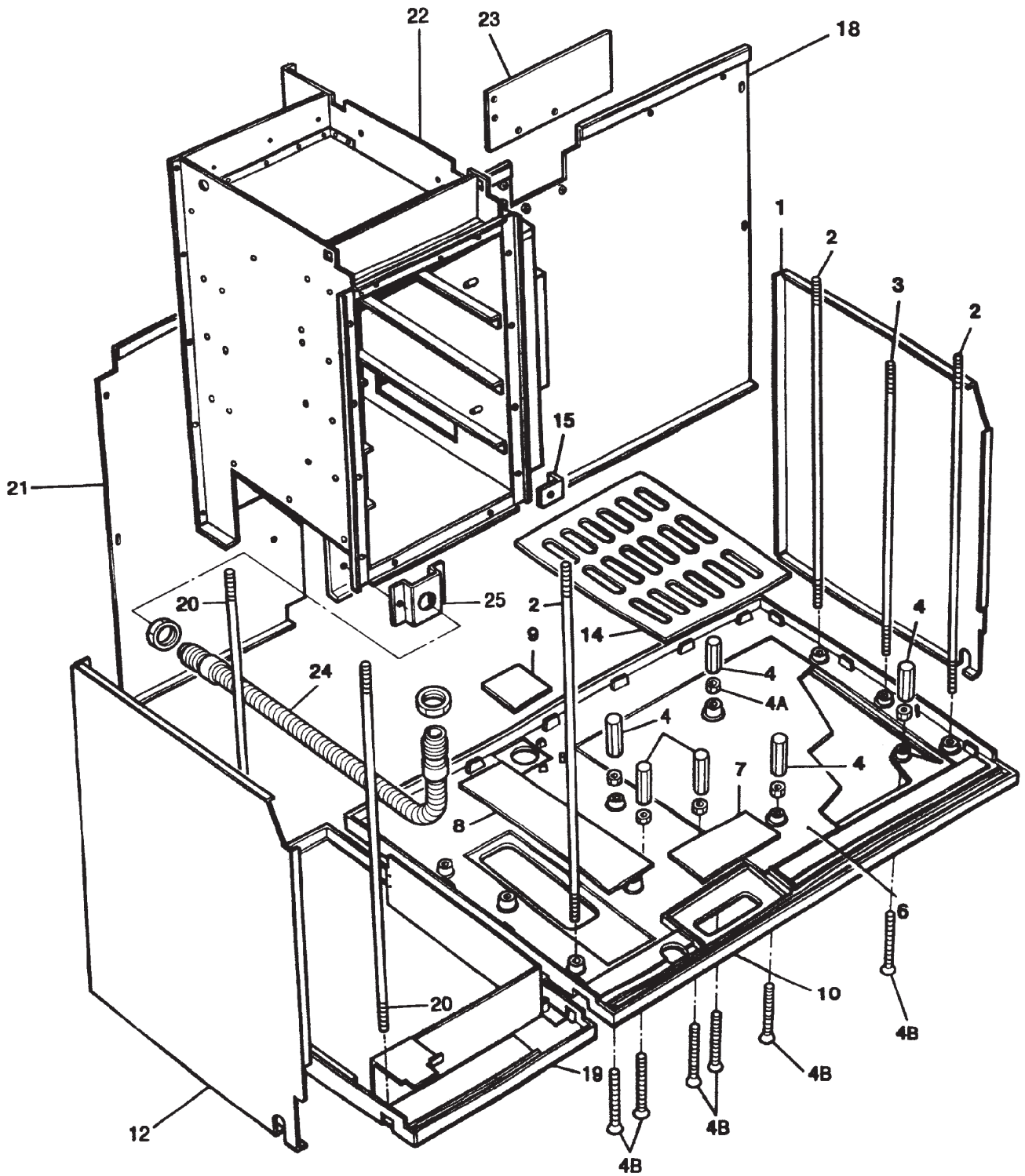


**AGA ELECTRIC (AIMS)  
EE COOKER**

***SPARE PARTS  
MANUAL***

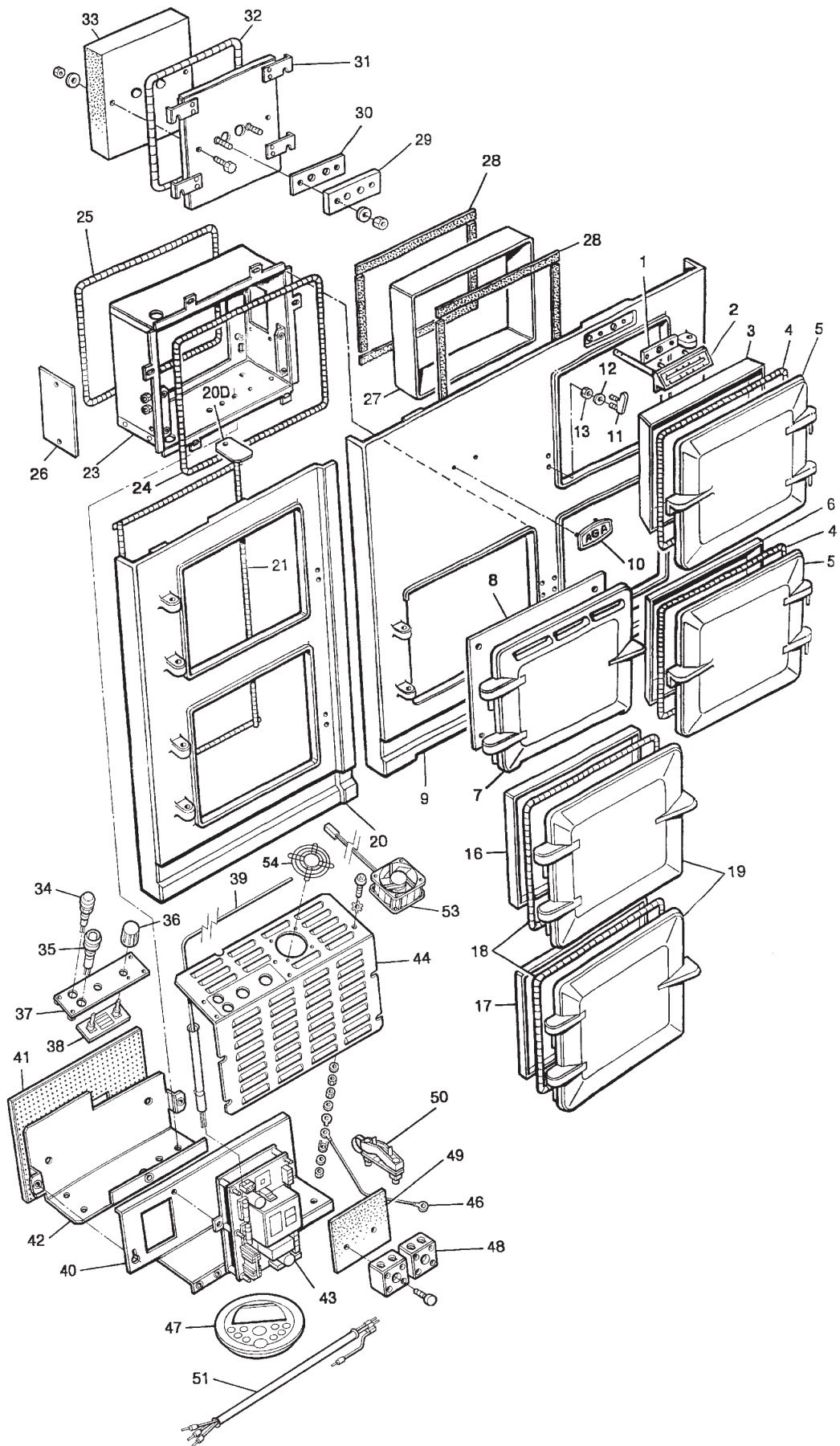


AGA ELECTRIC AIMS - EE COOKER  
BASE, SIDES AND BACKPLATE

**AGA ELECTRIC AIMS - EE COOKER  
BASE, SIDES AND BACK PLATE**

**OCTOBER 2010**

<b>ITEM No.</b>	<b>CAT No.</b>	<b>DESCRIPTION</b>	<b>PRODUCT CODE</b>
1	A2983	SIDE PLATE COOKER - RH	AG2V210346
2	A2118	CORNER STAY ROD	AG4M210226
3	A2122	OVEN STAY ROD	AG4M210229
4	NCA	BURNER CHAMBER SUPPORT ADJUSTER	AO4M220259
4A	R5022	M12 HEX FULL NUT	KNUT53135
6	A2373	FILLER BASE PLATE - LARGE	AO2M210194
7	A4459	BASE FRONT FILLER PLATE - SMALL	AS2M90080R
8	A2374	RH BASE FILLER PLATE	AO2V210306
9	A3544	FLUE OUTLET BLANKING PLATE	AG2M210568
10	A2659	BASE PLATE	AG4M210560
12	A2982	SIDE PLATE - HOT CUPBOARD	AG2V210345
14	A3647	OVEN SHELF PERFORATED	AO5V211617
15	A4075	BRACKET STAND OFF	AG2V211283
18	A4732	BACK PLATE	AE2M230500
19	A3186	BASE PLATE - HOTCUPBOARD ASSY	AG1M210798
20	A2118	CORNER STAY ROD	AG4M210226
22	A3262	HOTCUPBOARD OVEN SHELL ASSY	AG1M210796
23	A4868	BACK PANEL BLANKING PLATE	AE2M230593
24	A4730	CABLE GUIDE TUBE ASSY	AE1M230598
25	A4731	CABLE GUIDE BRACKET	AE2M230612



AGA ELECTRIC AIMS - EE COOKER  
FRONT PLATE & DOORS

**AGA ELECTRIC AIMS - EE COOKER  
FRONT PLATES & DOORS**

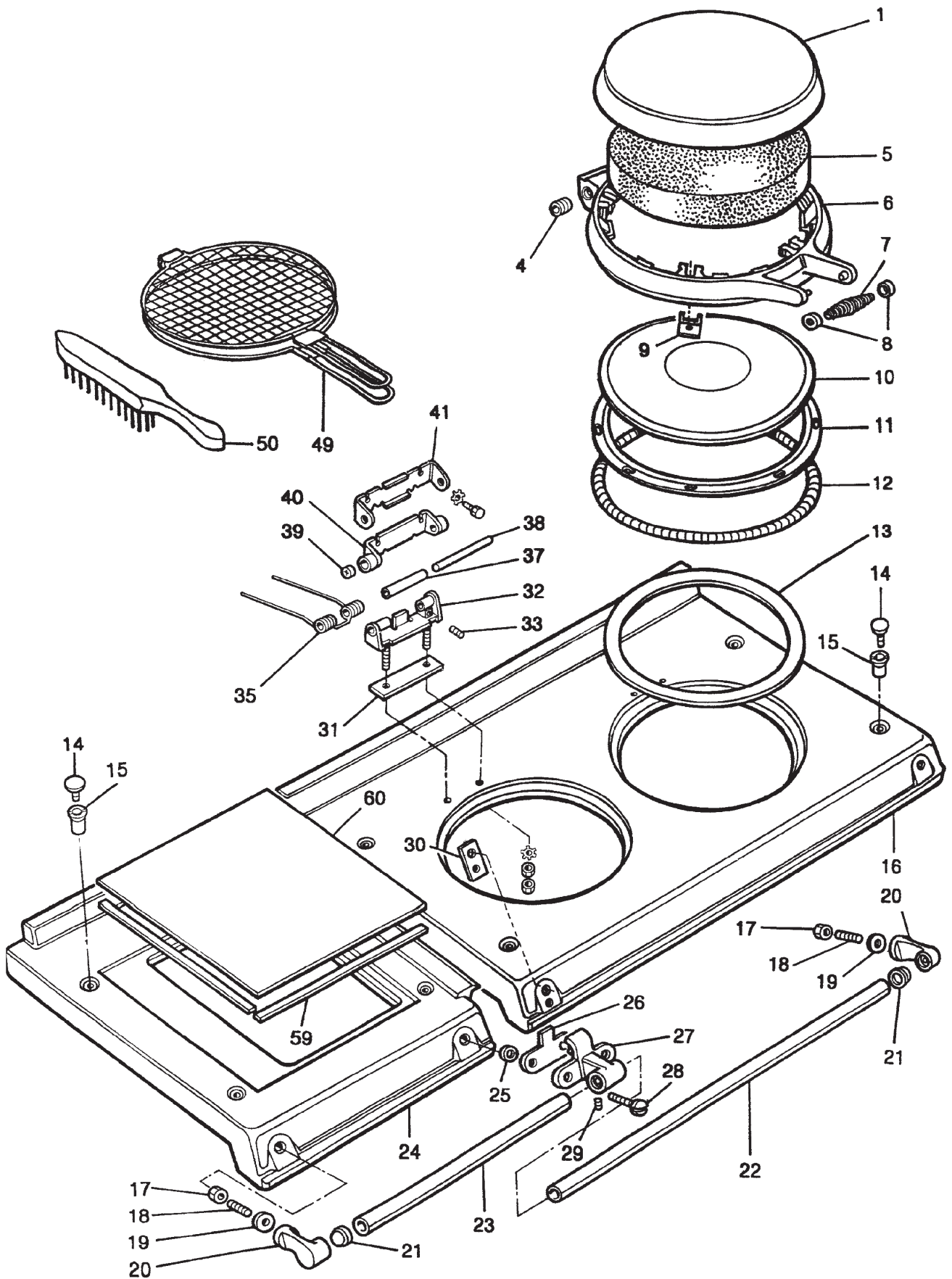
**OCTOBER 2010**

ITEM No.	CAT No.	DESCRIPTION	PRODUCT CODE
1	A2115	THERMOMETER RETAINING PLATE	A09M220004COMP
2	A2157	THERMOMETER - UP TO M10-048	AG4T210257
2A	A5610	HEAT INDICATOR ASSY - FROM M10-048	AE4M231169
3	A1482	COVER INSULATION	AO2M90347
4	A3935	ROPE T/S BLACK TOP DOOR	AG4M997916
	A3936	ROPE T/S BLACK BOTTOM DOOR	AG4M997917
5	A1709	OVEN DOOR COMPLETE TOP - RH	AS9E1-9285E
5A	A1710	OVEN DOOR COMPLETE BOTTOM - RH	AS9E1-9285F
6	A1482	COVER INSULATION	AO2M90347
7	A2391	BURNER DOOR OUTER	AG1E2-753A
8	A4687	PANEL DOOR LINING	AO2M220471
9	A4383	FRONT PLATE	AG5E211245
	A2322	FRONT PLATE C/W DOORS	AG1M211325
10	A2274	AGA BADGE	AG4M210184
	A2435	AGA BADGE (ORIGINAL STYLE) - NOT SHOWN	AG4M210341
11	A3956	DOOR CATCH	AG4M250478
12	A4706	DOOR CATCH GASKET	JGSG211270
13	A4707	LOCKING NUT	KNUT500485
14	NCA	EARTH POST	NCA
16	A1483	OVEN DOOR INSULATING COVER SHALLOW	AO2M90348
17	A1483	OVEN DOOR INSULATING COVER SHALLOW	AO2M90348
18	A3936	ROPE T/S BLACK - BOTTOM DOOR	AG4N997917
19	A1711	DOOR HOTCUPBOARD - TOP	AS9E1-9285G
19A	A1712	HOT CUPBOARD BOTTOM OVEN DOOR	AS9E1-9285H
20	A4907	FRONT PLATE - HOT CUPBOARD	AG5E211243
20D	A5406	BLANKING PLATE	AE2M230617
21	NCA	ROPE SEAL 12W x 3 THKx 350 BLACK	JTHR211146
	NCA	ROPE SEAL 12W x 3 THK x 642 BLACK	JTHR211146
23	A4850	STAT HOUSING ASSY	AE1M230486
24	A3467	ROPE T/SEAL 5 mm x 1220 LG	JTHR210867
25	NCA	ROPE 7mm x 980 LG	JTHR20390
26	A2178	ACCESS PLATE	AG2M210190
27	A4784	OVEN FRAME KIT	AG4M211602
28	A2860	SEAL INSULATING FRAME	JTHR210645
29	A5347	INSULATION PAD - CHAMBER DOOR	AE4M230531
30	A5348	GASKET - CHAMBER DOOR	JGSG230543
31	A5152	CHAMBER DOOR ASSY	AE1M230529
32	NCA	ROPE THERMOSEAL	JTHR20438
33	A5351	INSULATION PAD - CHAMBER DOOR	JPAD230524
34	A5222	FAN BUTTON SWITCH - PART OF ITEM 52	AE4M230959
35	A5214	NEON LAMP - PART OF ITEM 52	AE4M230958
36	NCA	CONTROL KNOB - PART OF ITEM 52	NCA
37	NCA	MOUNTING PLATE - PART OF ITEM 52	NCA
38	NCA	RIBBON CONNECTOR - PART OF ITEM 52	NCA
39	A5177	OVEN THERMOCOUPLE - 1000mm	AE4M230890
40	A5266	PCB MOUNTING BRACKET	AE2M230682
41	A4898	ELEMENT HOUSING BAFFLE	AE2V230680
42	A4876	PCB BAFFLE PLATE	AE2M230683
43	A5208	PCB CONTROLLER - PAV - UP TO M09-063	AE9M997784
43A	A5203	PCB RELAY PART OF 43 - UP TO M09-063	AE4M230956
43B	A5536	PCB CONTROLLER (TEKELEK) FROM M09-063	AE4M230996
	A5440	13A TEKELEK AIMS CBRD & E. HRNS	AE9M997918
44	A5487	CONTROL COVER	AE2M230879
46	NCA	EARTH POST	NCA
47	A5196	REMOTE CONTROL HANDSET - UP TO M08-063	AE4M230894
47A	A5338	REMOTE CONTROL HANDSET (MULTI-LINGUAL) - FROM M08-063 TO M09-063	AE4M997803
47B	A5439	HANDSET - TEKELEK - FROM M09-063 TO M10-048	AE4M230995
47C	A5608	HEAT INDICATOR HANDSET - FROM M10-048	AE4M231171

**AGA ELECTRIC AIMS - EE COOKER  
FRONT PLATES & DOORS**

**OCTOBER 2010**

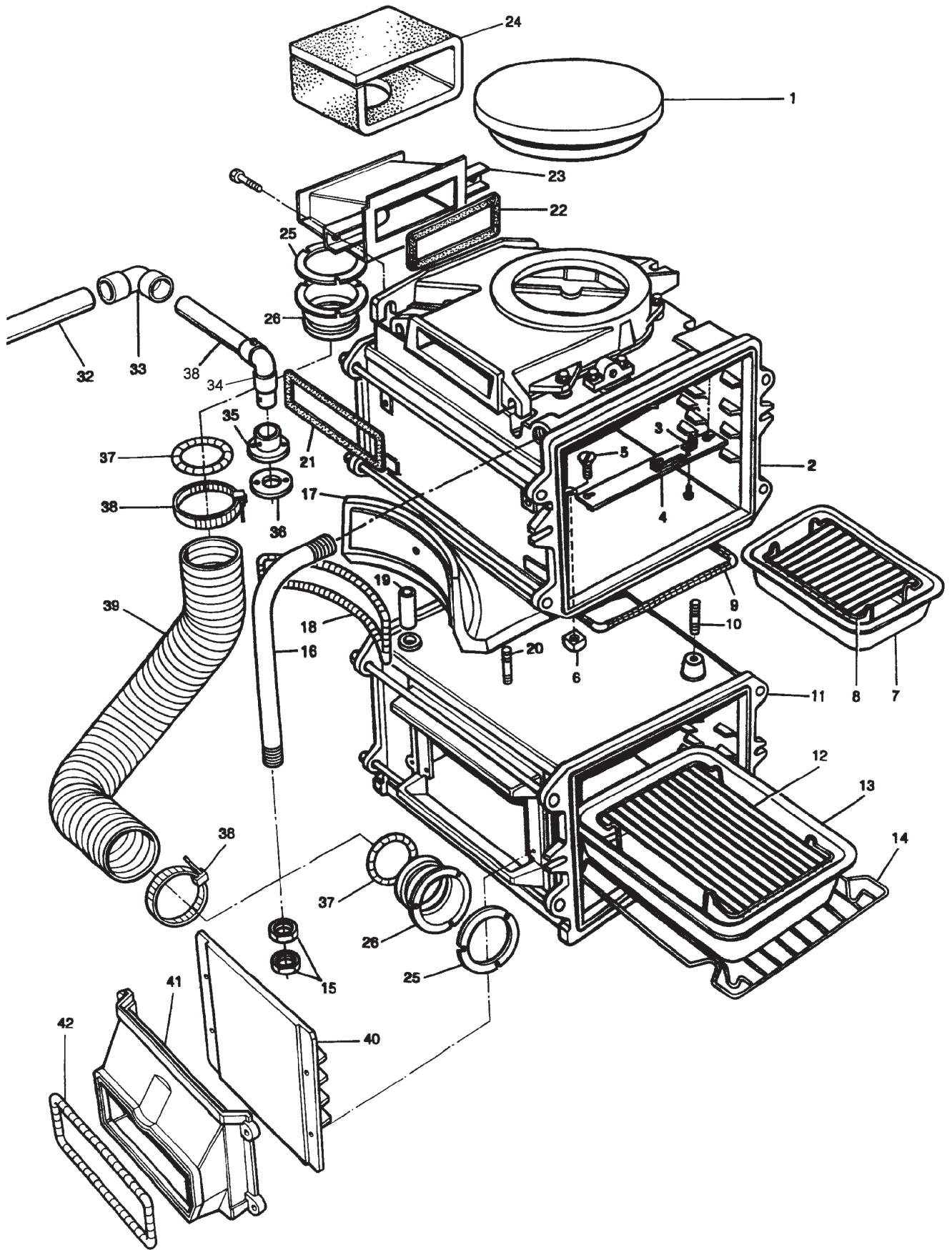
ITEM No.	CAT No.	DESCRIPTION	PRODUCT CODE
48	A1109	2-WAY TERMINAL BLOCK	AE4M45679
49	NCA	LABEL TERMINAL BLOCK	AE4M230902
50	R2190	CABLE CLAMP	RG4M26192
51	NCA	WIRING LOOM	NCA
52	A5234	CONTROL PLATE ASSY PAV - UP TO M09-063	AE4M230910
52A	A5441	CONTROL PLATE ASSY TEKELEK - FROM M09-063	AE4M230997
53	A5219	COMPACT FAN	AE4M230917
54	A5392	FINGER GUARD	AE4M230918



AGA ELECTRIC AIMS - EE COOKER  
 TOP PLATE, INSULATING LIDS, SHROUD, WIRING ASSY

ITEM No.	CAT No.	DESCRIPTION	PRODUCT CODE
1	A3614	ST/STEEL INSULATING LID COVER	AG4M210905-K
	NCA	INSULATING LID CI (NOT SHOWN)	AG5E211528
	A4637	STEEL DOME ASSY - COMPLETE	AG1M211766
4	A4816	M12 x 16 GRUB SCREW	KGRB500520
5	A5074	DOME INSULATION PAD - 50mm	JPAD211934
6	A4825	INSULATING LID OUTER RING	AG5E211310
7	R3028	COIL HANDLE	RO4M340522
8	R3029	INSULATING LID HANDLE CUPS	RO4M340521
9	A3636	DOME CLAMPING BRACKETS ST/ST LIDS ONLY	AG4M210904
10	A1632	INSULATING LID LINING - RH	AS4M34760
11	A1647	INNER HOLDING RING	AS4M40980
12	A1863	DOME SEALING ROPE	JMAR20410
13	A1342	INSULATING RING	AG5M210840
14	A2119	CORNER STAY BUTTON - 5/16" BSW	AG4M210228
15	A2123	CORNER STAY NUT - 5/16" BSW	AG4M210244
16	A3510	TOP PLATE	AG5E210303
17	R2630	NUT M8 x 35 LG	KNUT53061
18	A4192	ALLTHREAD M8 x 35 LG	KSTD500010
19	A3664	WASHER M8 I/D S/PROOF ST/ST	KWSR53346
20	A2314	HANDRAIL BRACKET	AG4M210853
21	A2975	VINYL END CAP	AG4M210660
22	A1630	HANDRAIL	AG4M210642
23	A2415	HANDRAIL - HOT CUPBOARD	AG4M210446
24	A2457	TOP PLATE - HOT CUPBOARD	AG5E210391
25	A3044	JOINTING BRACKET WASHER	JWSR210469
26	A2532	GASKET - HANDRAIL	JGSG210523
27	NCA	BRACKET - HANDRAIL JOINTING	AG4M210854
28	A3109	SCREW - HANDRAIL JOINTING M8 x 25mm	KMIS500305
29	NCA	GRUB SCREW	NCA
30	A3738	HANDRAIL BRACKET	AG2M210467
31	A2589	HINGE BLOCK GASKET	JGSG210477
31A	NCA	GASKET HINGE BLOCK - VE LIDS (FROM M06-170)	JGSG211914
32	A4641	HINGE ASSEMBLY WITHOUT SPRING	AG4M211742
32A	A4642	HINGE ASSY WITH SPRING - VE (UP TO M06-170)	AG4M211743
32B	A5157	HINGE ASSY - VE LIDS (FROM M06-170)	AG4M211921
33	A5404	SCREW M5 x 16 LG GRUB	KGRB500521
35	A3646	SPRING (PART OF ITEM 32A)	AG4M210774
37	NCA	SPINDLE SLEEVE (PART OF 32 & 32A)	AG4M997030
38		PART OF ITEM 32 & 32A	
39	A4658	ADJUSTER (PART OF 32 & 32A)	AG4M997031
40		PART OF ITEM 32 & 32A	
41		PART OF ITEM 32 & 32A	
49	A1843	TOASTER	EACS47380
50	A1841	WIRE BRUSH	EACS23230
59	A3446	SEALING STRIP - SHORT	JGSG210483
59	A3445	SEALING STRIP - LONG	JGSG210482
60	A2474	WARMING PLATE ASSY C/W LEADS	AG9M210402COMP

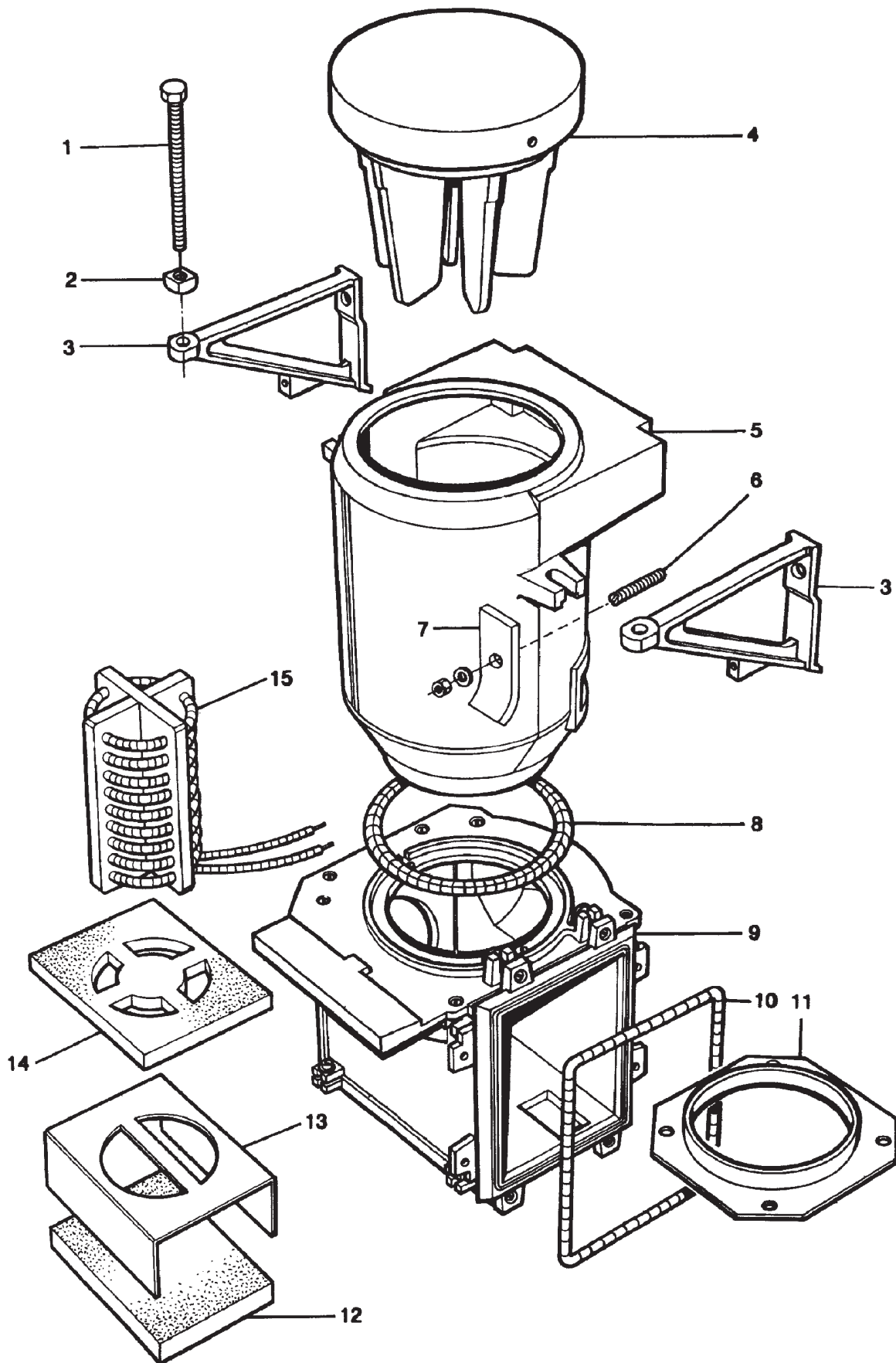




AGA ELECTRIC AIMS - EE COOKER  
 OVENS, ACCESSORIES, SIMMERING PLATE, FAN ASSY

**AGA ELECTRIC AIMS - EE COOKER      FEBRUARY 2012**  
**OVEN ACCESSORIES, SIMMERING PLATE**

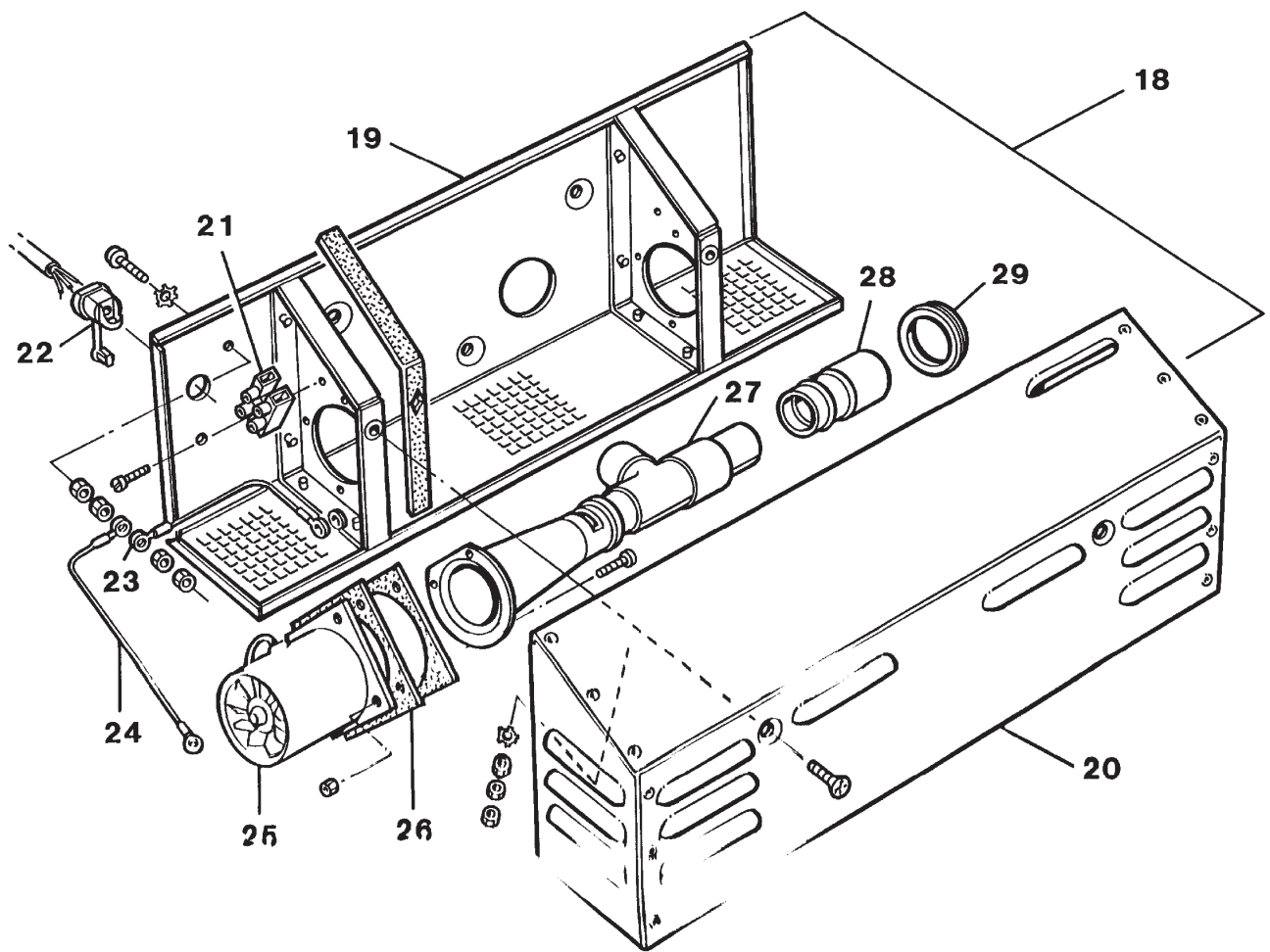
ITEM No.	CAT No.	DESCRIPTION	PRODUCT CODE
1	A1527	SIMMERING PLATE	AO5M2-695
2	A1195	ROASTING OVEN ASSEMBLY	AG1M-RO-BF1
3	A3739	PHIAL SECURING ANGLE	AO2M220147
4	A3723	STAT PHIAL SUPPORT ASSY	AO1M220145
5	NCA	SCREW M12 x 30 LG CSK HD	NCA
6	NCA	M12 SQUARE NUT	NCA
7	A3284	ROASTING TIN - SMALL	EMTY530217
8	A2312	GRILL RACK - SMALL	AG4M210269
9	A2961	SEALING ROPE 9mm x 1165 LG	JTHR220116
10	NCA	SCREW M12 x 40 mm CUP PNT SKT HD	KGRB500338
11	A4939	BAKING OVEN ASSEMBLY	AE1M230648
12	A2313	GRILL RACK - LARGE	AG4M210268
13	A3285	ROASTING TIN - LARGE	EMTY530218
14	A1282	OVEN GRID SHELF	AE4M211863
15	A3469	LOCKNUT 25mm CONDUIT HEX.	KNUT35275
16	A1293	CONDUIT PHIAL TUBE	AG4M211880
17	A2656	HEAT CONDUCTING PLATE	AG5M210486
18	A1856	ROPE 10mm x 762 LG	JCRP20403
19	A2929	OVEN VENT PIPE - BOTTOM	AG4M210488
20	NCA	SCREW M12 x 40mm CUP PNT SKT HD	KGRB500338
21	A2308	GASKET - OUTER BARREL	JGSG210327
22	A2306	GASKET - FLUE MANIFOLD	JGSG210328
23	A4961	AIR CIRCULATION BOX ASSY	AE2V230677
24	A5030	INSULATION PAD - AIR CIRC. BOX	JPAD230541
25	A5007	GASKET - PRIMARY AIR DUCT	JGSG230644
26	A5076	AIR DUCT SPIGOT	AE2M230499
32	A2329	PIPE - COPPER 28mm	AG2M210316
33	A5031	ELBOW - 90°	AE4M230691
33A	A5150	ELBOW - 28mm 45° OBTUSE (NOT SHOWN)	AE4M230692
34	A4934	OVEN VENT MANIFOLD	AE4M230669
35	A2319	FLANGED MOUNTING	AG4M211828
36	A2321	GASKET - FLANGED MOUNTING	AG4M210079
38	R4608	4" JUBILEE CLIP	KCLP500389
39	A4486	AIR CIRCULATION DUCT	AE4M230505
39A	A4650	PRIMARY AIR DUCT (CONTAINS ITEMS 26, 38 & 39)	AE1M230643
40	NCA	LH SIDE REMOVABLE	AE5M230634
41	A2029	LH SIDE PLATE FILLER HOUSING	AO5M2-683
42	NCA	ROPE SEAL	NCA



AGA ELECTRIC AIMS - EE COOKER  
HOTSPOT, FIRE BARREL & CHAMBER ASSEMBLY

**AGA ELECTRIC AIMS - EE COOKER      OCTOBER 2010**  
**HOTSPOT, FIRE BARREL & ELEMENT CHAMBER ASSY**

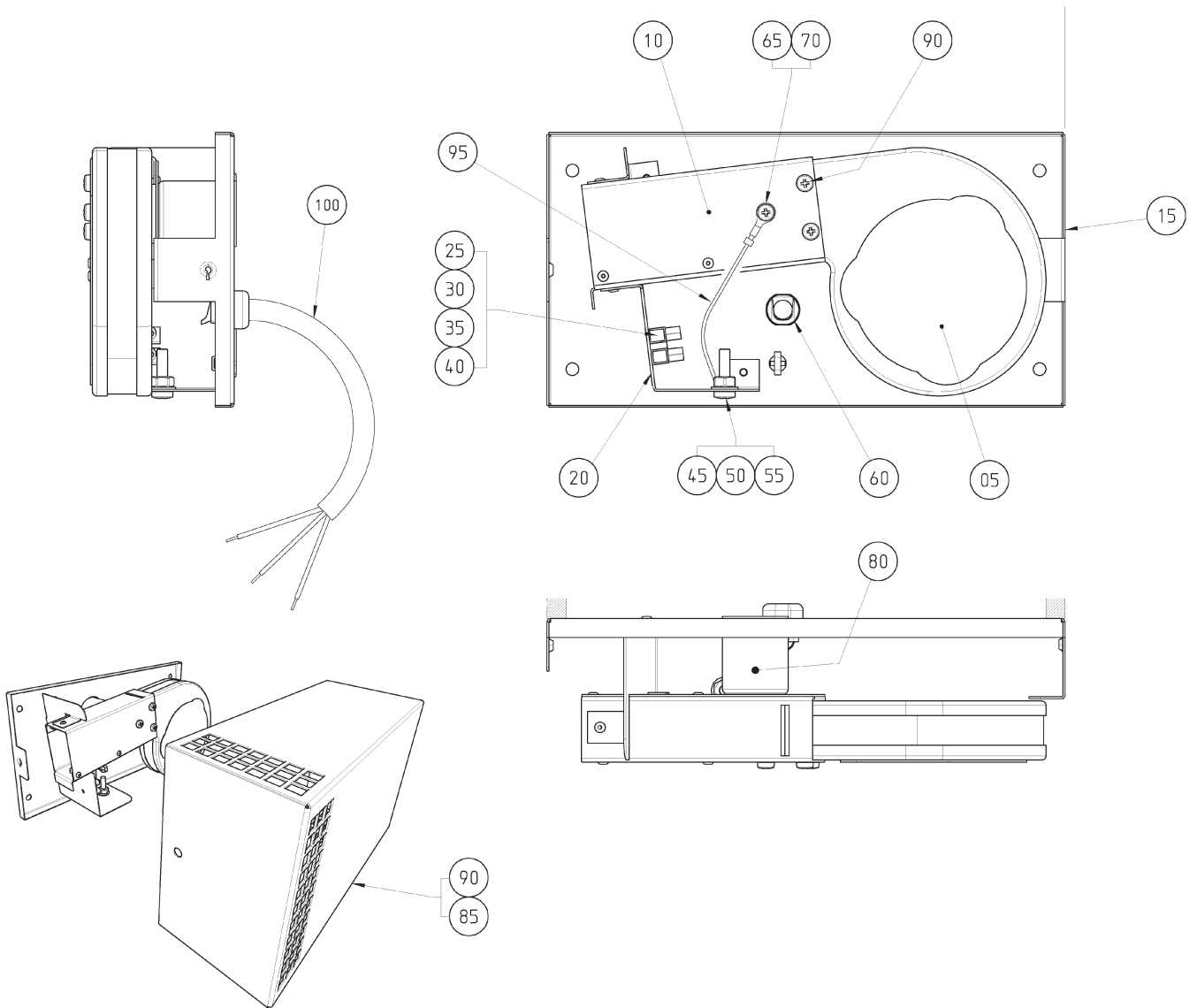
ITEM No.	CAT No.	DESCRIPTION	PRODUCT CODE
1	A1800	BARREL BOLT & NUT SET (INCLS ITEM 2)	AS9M52960PR
2		SEE ITEM 1	
3	A1346	FIRE BARREL SUPPORT BRACKET	AG5M211047
4	A1522	LH HOT SPOT	AO4M1-386
5	A2419	OUTER BARREL ONE-PIECE	AG4M210242
6	A3289	BARREL FIXING STUD	KSTD210489
7	A3166	BARREL FIXING CLAMP	AG2M210485
8	A1854	ROPE SEALING 20 DIA x 1778 LONG	JCRP20402
9	A1370	ELEMENT CHAMBER ASSY	AG1M-BC-BF
10	NCA	ROPE SEAL 7mm DIA x 980 LG	JTHR20390
11	A2648	OUTER BARREL SEALING RING	AG4M210461
12	A4451	INSULATION PAD CHAMBER BASE	JPAD230491
13	A4472	ELEMENT SUPPORT PLATE	AG2M230461
14	A4450	INSULATION PAD ELEMENT BASE	JPAD230490
15	A4390	ELEMENT C/W TERMINAL BLOCK	AE4M230520



AGA ELECTRIC AIMS - EE COOKER  
OVEN VENT FAN ASSEMBLY - UP TO M08-003

**AGA ELECTRIC AIMS - EE COOKER      OCTOBER 2010**  
**OVEN VENT FAN ASSEMBLY - UP TO M08-003**

ITEM No.	CAT No.	DESCRIPTION	PRODUCT CODE
18	A2107	OVEN VENT FAN ASSEMBLY	AE9M230005COMP
19	A4899	HOUSING ASSEMBLY	AE1M230093
20	A3459	COVER ASSY- VENT FAN	AE1M230063
21	A2471	12-WAY TERMINAL BLOCK	AE4M45669
22	R2433	STRAIN RELIEF BUSH	GG4M24197
23	NCA	EARTH WIRE	AE1M600104
24	NCA	EARTH WIRE	AE1M600054
25	A1086	FAN	AE4M29239
26	A1876	GASKET	JPAD37254
27	A4869	DUCT ASSEMBLY	AE4M230094
28	NCA	OUTLET NOZZLE	AE4M40650
29	NCA	GROMMET	AE4M230092

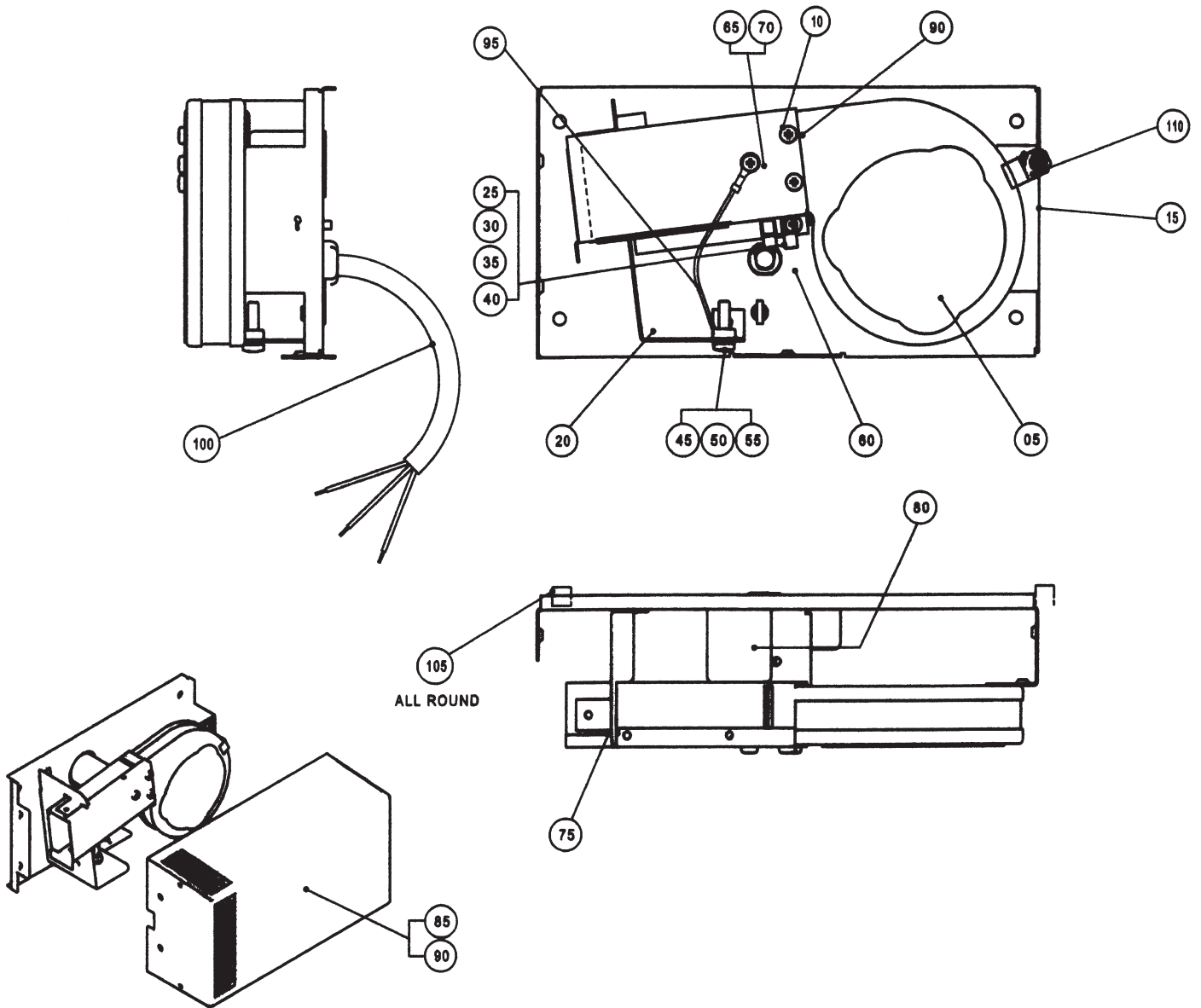


AGA ELECTRIC - AIMS COOKER  
 OVEN VENTING FAN ASSEMBLY - FROM M08-003 TO M08-174

**AGA ELECTRIC AIMS - EE COOKER      OCTOBER 2010**  
**OVEN VENTING FAN ASSY - FROM M08-003TO M08-174**

<b>ITEM No.</b>	<b>CAT No.</b>	<b>DESCRIPTION</b>	<b>PRODUCT CODE</b>
01	A5535	OVEN VENTING FAN ASSEMBLY	AE1M230945
05	A5384	FAN 24V 5W	AE4M230946
10	NCA	DUCT ASSEMBLY	AE1M230966
15	NCA	BACK PLATE	AE2M230951
20	NCA	SUPPORT PLATE	AE2M230950
25	A2471	12-WAY TERMINAL BLOCK	AE4M45669
30	NCA	M3 x 16 POZI PAN HD	KPAN500045
35	NCA	M4 PLAIN WASHER	KWSR53667
40	NCA	M3 FULL NUT	KNUT500099
45	NCA	M3.5 x 16 LG PAN HD SCREW	KPAN500367
50	R5839	M4 EXT SHAKEPROOF WASHER	KWSR53282
55	NCA	M3.5 FULL NUT	KNUT500379
60	R2433	STRAIN RELIEF BUSH	GG4M24197
65	R4845	M4 x 10 LG PAN HD SCREW	KPAN500385
70	NCA	M4 FULL NUT	KNUT52917
80	A5411	VENT FAN CASING	AE4M230962
85	NCA	FRONT COVER	AE2M230952
90	NCA	EARTH WIRE ASSEMBLY	AE4M230976
100	A4840	MAINS CABLE	AE4M230380





AGA ELECTRIC - AIMS COOKER  
 OVEN VENTING FAN ASSEMBLY - FROM M08-174

**AGA ELECTRIC AIMS - EE COOKER      OCTOBER 2010**  
**OVEN VENTING FAN ASSY - FROM M08-174**

<b>ITEM No.</b>	<b>CAT No.</b>	<b>DESCRIPTION</b>	<b>PRODUCT CODE</b>
	A5305	OVEN VENTING FAN ASSY (INCLS ITEMS 05, 10, 25, 30, 40, 45, 50, 55, 60, 65, 70, 75, 80 85, 90, 95, 100, 105, 110)	AE1M231006
05	A5384	FAN - 24V 5W	AE4M230946
10	NCA	DUCT ASSEMBLY	AE1M231007
15	NCA	BACK PLATE	AE2M230991
20	NCA	SUPPORT PLATE	AE2M230950
25	A2471	12-WAY TERMINAL BLOCK	AE4M45669
30	NCA	M3 x 16 LG POZI PAN HD	KPAN500045
35	NCA	M4 PLAIN WASHER	KWSR53667
40	NCA	NUT M3 HEX	KNUT500099
45	NCA	M3.5 X 16 LG PAN HD SCREW	KPAN500367
50	R5839	M4 EXT SHAKEPROOF WASHER	KWSR53282
55	NCA	M3.5 FULL NUT	KNUT500379
60	R2433	STRAIN RELIEF BUSH	GG4M24197
65	R4645	M4 x 10mmPOZI PAN HD	KPAN500385
70	NCA	M4 FULL NUT	KNUT52917
75	A4363	POP RIVET 3.2mm x 6mm LG	KRPT41079
80	A5411	VENT FAN CASTING	AE4M230962
85	NCA	FRONT COVER VENT DUCT	AE2M230992
90	NCA	No. 8 x 3/8" LG SELF TAPPER	KPAN52549
95	NCA	EARTH WIRE FIRE ASSY	AE4M230976
100	A4840	MAINS CABLE	AE4M230380
105	NCA	TAPE ADHESIVE	AE4M20088
110	NCA	FAN SUPPORT BRACKET	AE2M231005