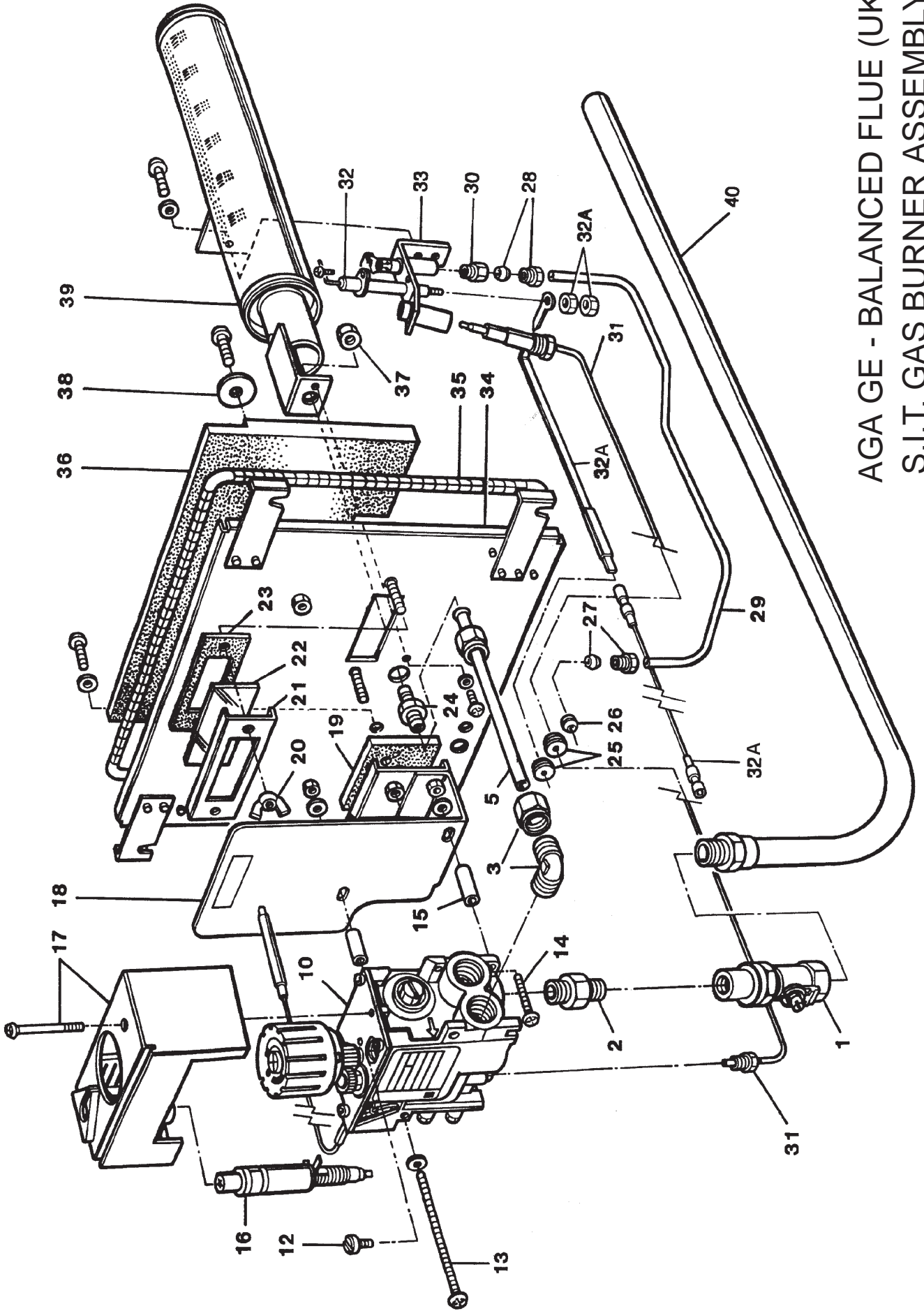


**AGA GE BALANCED
FLUE - UK
(S.I.T. GAS BURNER)**

***SPARE PARTS
MANUAL***

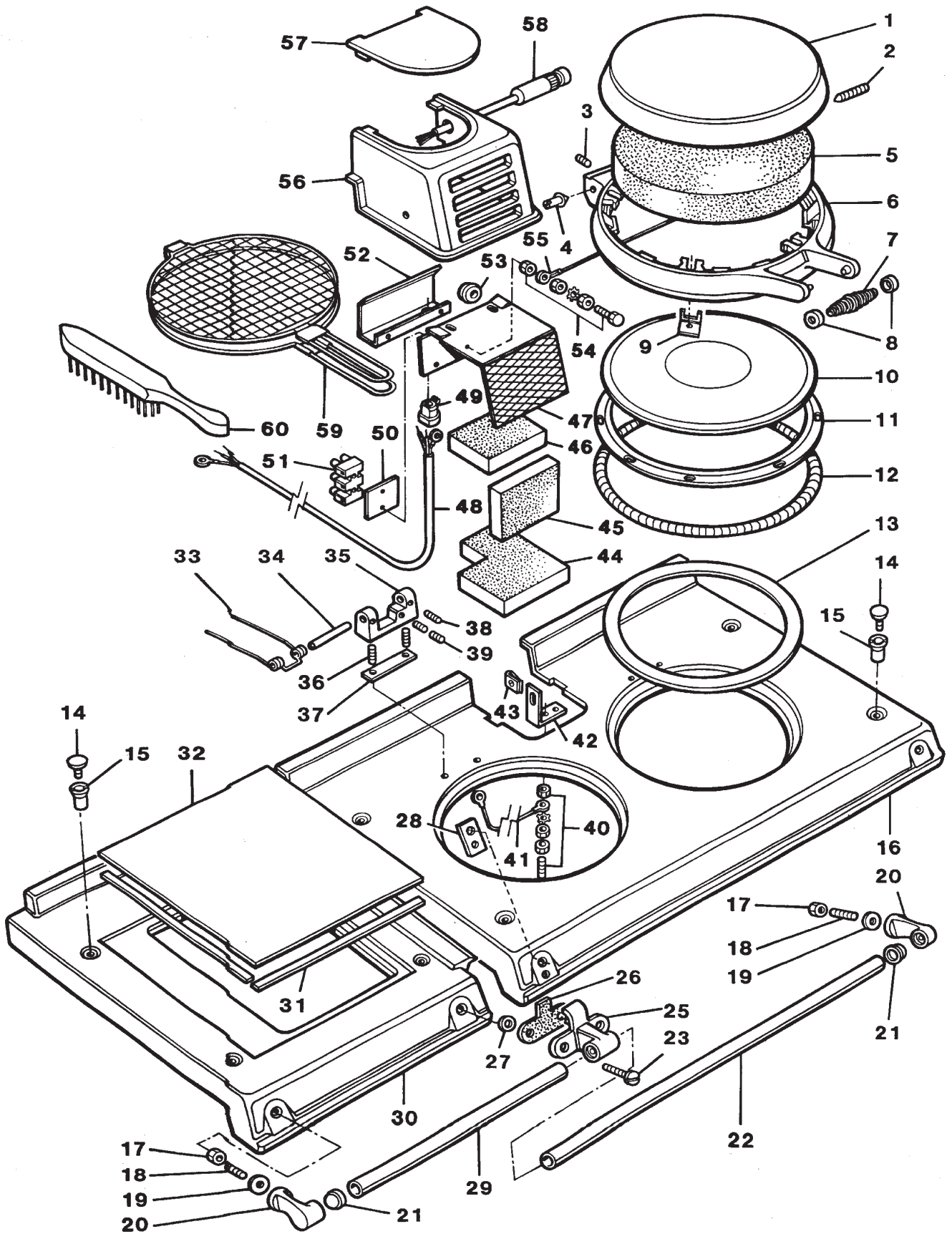


AGA GE - BALANCED FLUE (UK)
 S.I.T. GAS BURNER ASSEMBLY

**AGA GE BALANCED FLUE (UK)
S.I.T. GAS BURNER ASSEMBLY**

MAY 2011

ITEM No.	CAT No.	DESCRIPTION	PRODUCT CODE
1	A1219	GAS TAP 1/4" BSP - NG/LPG	AG4M26390
2	A2062	3/8" BSP x 1/4" BSP HEX NIPPLE	AG4M35636
3	A2170	3/8" MALE x 8mm O/D TUBE COMP ELBOW	AG4M210241
5	A2969	BURNER FEED PIPE	AG4M210231
10	A2160	GAS VALVE SIT	AG1M210175
12	A2154	BYPASS SCREW - SIZE 1.0 NG (MODEL GC/GE)	KBYP210181
	A2153	BYPASS SCREW - SIZE 1.2 NG (MODEL GCB/GEB)	KBYP210180
	A4051	BYPASS SCREW - SIZE 0.6 LPG (MODEL GC/GE)	KBYP211274
	A2155	BYPASS SCREW - SIZE 0.8 LPG (MODEL GCB/GEB)	KBYP210182
13	A2405	M5 x 80 LG PAN HD SCREW	KPAN210238
14	NCA	M5 x 35 LG PAN HD SCREW	NCA
15	A2166	SPACER	AG4M210201
16	A2172	PIEZO IGNITOR	AG4M210178
17	A2171	CONTROL COVER AND SCREW	AG4M210177
18	A2182	GAS BAFFLE ASSEMBLY	AG1M210208
19	A2162	INSULATION PAD - GAS V/V BAFFLE	JPAD210200
20	G1160	M5 WINGNUT	KNUT53000
21	G1094	SIGHT GLASS FRAME	AG2M210019
22	A1236	SIGHT GLASS	AG4M30840
23	A2204	SIGHT GLASS GASKET	AG4M210011
24	A2300	BURNER INJ CAT 31 SIZE 285 - BRAY NG (MODELS GC, GCB, GE)	AG4M210307
	A2299	BURNER INJ CAT 31 SIZE 330 - BRAY NG (MODEL GEB)	AG4M210314
	A2302	BURNER INJ CAT 15 SIZE 180 - BRAY LPG (MODELS GC, GCB, GE)	AG4M210324
	A2669	BURNER INJ CAT 15 SIZE 200 - BRAY LPG (MODEL GEB)	AG4M210342
25	A4046	GROMMET REEVITE	AG4M211223
26	A2165	GROMMET REEVITE RB16	AG4M210237
27	A2199	NUT & OLIVE FOR PILOT FEED TUBE - SIT	KNUT500003
28		NUT & OLIVE FOR PILOT FEED TUBE - JOHNSON PILOT (INCLUDED IN ITEM 33)	
29	A2169	PILOT FEED TUBE	AG4M210195
30	A4047	PILOT INJECTOR NG - (SPARES)	AG4M211226
	A4048	PILOT INJECTOR LPG - (SPARES)	AG4M211227
31	A2369	THERMOCOUPLE - LONG LIFT (KIT)	RG4M998603
32	A4049	IGNITION ELECTRODE - NG/LPG	AG4M211228
32A	A4103	ELECTRODE CONNECTOR STRIP/IGNITOR HT LEAD ASSY	AG4M211298
33	A4042	PILOT ASSEMBLY - NG	AG4M211221
	A4043	PILOT ASSEMBLY - LPG	AG4M211222
34	A4482	BURNER DOOR ASSEMBLY	AG1M211595
35	NCA	9mm x 840mm LINK ROPE THERMOSEAL	JTHR20438
36	A2163	BURNER DOOR INSULATION PAD	JPAD210196
37	R2199	1/8" BSP LOCKNUT	KNUT35297
38	R3983	M6 PLAIN WASHER	KWSR53393
39	A2168	GAS BURNER - FURIGAS	AG4M210236
40	A2173	GAS FEED PIPE	AG4M210197
	A4059	PILOT BURNER ASSY - NG (PRE M02-050)	AG9M998778
	A4060	PILOT BURNER ASSY - LPG (PRE M02-050)	AG9M998779



AGA GE - BALANCED FLUE (UK)
 TOP PLATES
 AGA HINGES & INSULATING LIDS (UP TO M05-008)

**AGA GE - BALANCED FLUE (UK)
TOP PLATES, INSULATING LIDS**

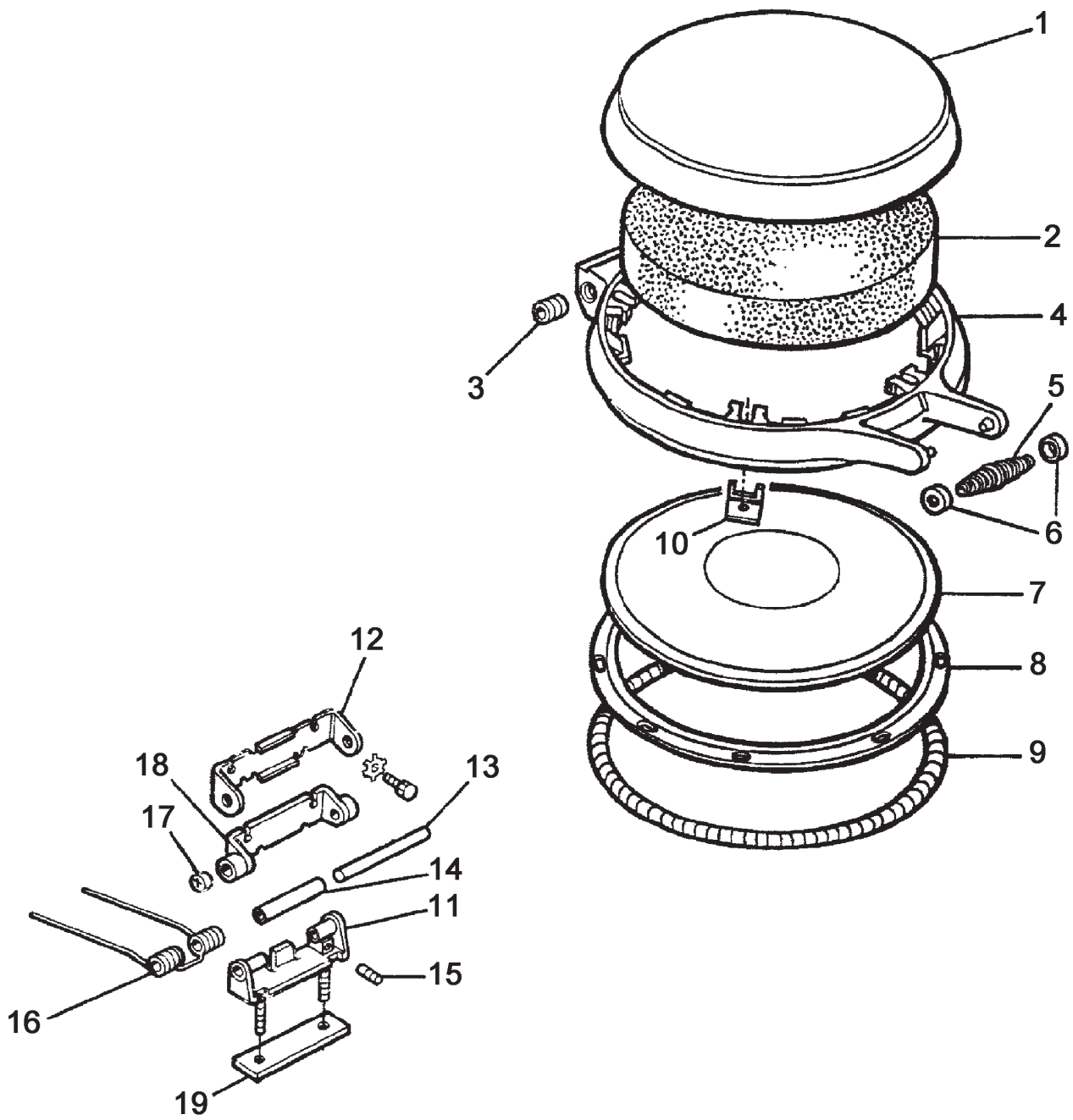
OCTOBER 2010

ITEM No.	CAT No.	DESCRIPTION	PRODUCT CODE
1	A3614	ST/STEEL INSULATING LID COVER	AG4M210905-K
	NCA	INSULATING LID (CI) - NOT SHOWN (95-98)	AG5E210387
	NCA	INSULATING LID (CI) - NOT SHOWN (98 ONWARDS)	AG5E210864
	NCA	INSULATING LID (CHROME) - NOT SHOWN	AG4M28101
	NCA	STEEL DOME ASSY COMPLETE	AG1M210917
2	A3283	GRUB SCREW SKT M10 x 25mm LG	KGRB500445
3	A2583	M6 x 6mm LG SKT GRUB CUP PNT GRUB	KGRB500437
4	A3501	ADJUSTABLE PIVOT BEARING	AG4M210620
5	A5074	DOME INSULATION PAD - 50mm	JPAD211934
6	A3511	INSULATING LID OUTER RING	AG5E210862
7	R3028	COIL HANDLE	RO4M340522
8	R3029	INSULATING LID HANDLE CUPS	RO4M340521
9	A3636	DOME CLAMPING BRACKET (ST/ST LIDS ONLY)	AG4M210904
10	A1632	INSULATING LID LINING RH	AS4M34760
11	A1647	INNER HOLDING RING	AS4M40980
12	A1863	DOME SEALING ROPE	JMAR20410
13	A1342	INSULATING RING	AG5M210840
14	A2119	CORNER STAY BUTTON 5/16" BSW	AG4M210228
15	A2123	CORNER STAY NUT 5/16 BSW	AG4M210244
16	A3535	TOP PLATE	AG1M210167BF
17	R2630	NUT M8 x 35 LG	KNUT53061
18	A4192	ALLTHREAD M8 x 35 LG	KSTD500010
19	A3664	WASHER M8 I/D SHAKEPROOF S/S	KWSR53346
20	A2314	HANDRAIL BRACKET	AG4M210853
21	A2975	VINYL END CAP (4-OFF)	AG4M210660
22	A2414	HANDRAIL EXTENDED COOKER	AG4M210445
23	A3109	SCREW - HANDRAIL JOINTING	KMIS500305
25	NCA	BRACKET - HANDRAIL JOINTING	AG4M210854
26	A2532	GASKET - HANDRAIL JOINTING	JGSG210523
27	A3044	JOINTING BRACKET WASHER	JWSR210469
28	A3738	HANDRAIL BRACKET PLATE	AG2M210467
29	A2415	HANDRAIL 25.4 DIA HOTCUPBOARD	AG4M210446
30	A2457	TOP PLATE - HOT CUPBOARD	AG5E210391
31	A3446	SEALING STRIP SHORT	JGSG210483
	A3445	SEALING STRIP LONG	JGSG210482
32	A2474	HOTCUPBOARD HOTPLATE COMP	AG9M210402COMP
33	A3117	HINGE SPRING (ST/ST LID)	AG9M998347
	A3118	HINGE SPRING (CAST IRON LID) - NOT SHOWN	AG9M998348
34	A3134	HINGE SPINDLE	AG4M210775
35	A3184	HINGE BLOCK	AG5E210860
36	A2081	M6 x 25mm STUD	AG4M211021
37	A2589	HINGE BLOCK GASKET	JGSG210477
38	A2583	M6 x 6mm LG SKT GRUB SCREW	KGRB500437
39	A4101	M6 x 10mm LG SKT GRUB SCREW	KGRB50512
40		INCLUDES	
	A3897	STUD M5 x 28 mm LG	KSTD210318
	NCA	NUT M5 HEX FULL Z/P	KNUT52916
	A3898	WASHER M5 S/H PROOF	KWSR53304
41	A4331	EARTH WIRE KIT ASSY	AE4M600154
42	A2294	SHROUD FIXING BRACKET	AG2M210078
43	A2355	'U' CLIP M5	KCLP500274
44	A3436	INSULATION 'A' VENTURI	JPAD210447
45	A4458	INSULATION TYPE B	JPAD210463
46	A3436	INSULATION TYPE A	JPAD210447
47	A3765	CHASSIS PLATE/SCREEN ASSY	AG2V210407
48	NCA	3 CORE CABLE 0.75 mm x 3 m	BG4M24900
49	R5039	BUSH HEYCO SR6P4-1210	RG4M313115
50	A2522	3 WAY TERMINAL BLOCK INSULATOR	AG4M45685

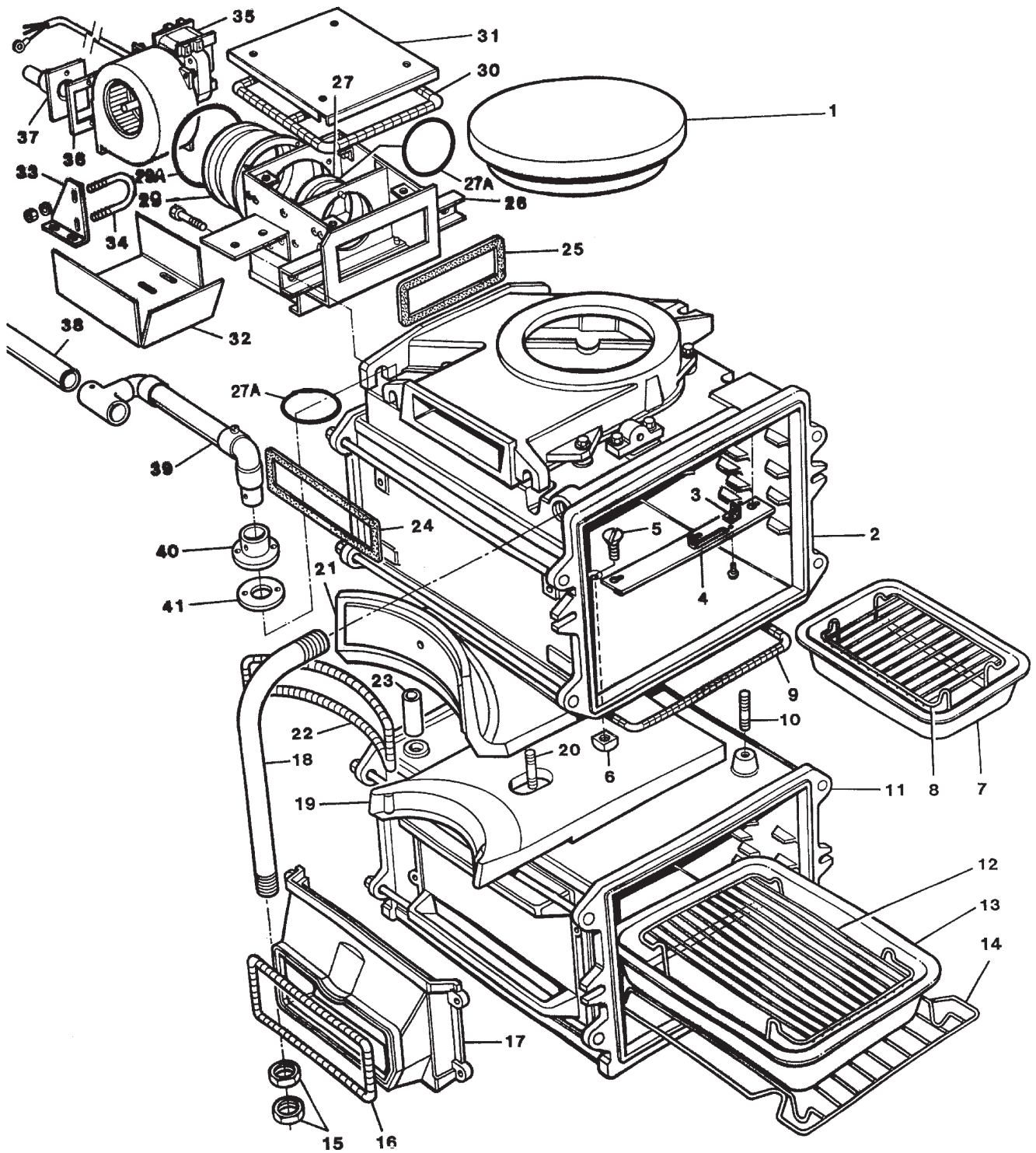
**AGA GE - BALANCED FLUE (UK)
TOP PLATES, INSULATING LIDS**

OCTOBER 2010

ITEM No.	CAT No.	DESCRIPTION	DESCRIPTION
51	A2471	12-WAY TERMINAL BLOCK	AE4M45669
52	A3766	REAR COVER CHASSIS B/F	AG2M210410
53	R2719	GROMMET	RG4M31317
54		INCLUDES	
	R5009	SCW M5 x 16 HEX SET	KHEX50915
	NCA	NUT M5 HEX FULL Z/P	KNUT52916
	NCA	WASHER M5 S/H PROOF	KWSR53301
55	NCA	16/0.2 MAYAL EARTH WIRE 370 mm LG C/W M5 RING CONNECTION	RO4M24715
56	A2449	FLUE CHAMBER	AG5E210417
57	A2222	SHROUD BLANKING PLATE	AG5E210262
58	A2960	PUSH BUTTON SWITCH - FAN	AG9M210462
59	A1843	TOASTER	EACS47380
60	A1841	WIRE BRUSH	EACS23230



AGA HINGES & INSULATING LIDS
FROM MOD CHANGE M05-008

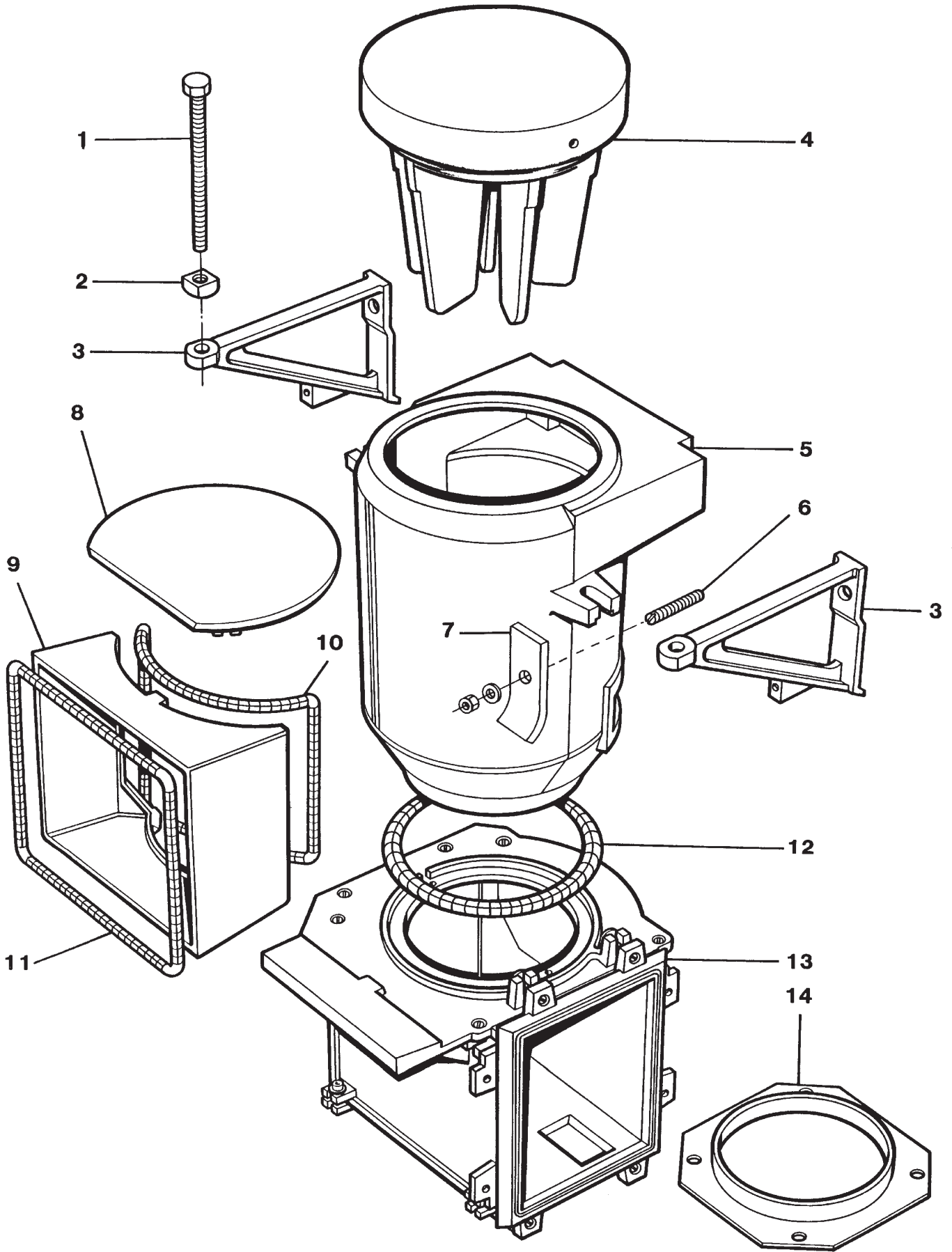


AGA GE - BALANCED FLUE (UK)
 OVENS AND ACCESSORIES, SIMMERING PLATE

**AGA GE - BALANCED FLUE (UK)
OVENS AND ACCESSORIES, SIMMERING PLATE**

OCTOBER 2010

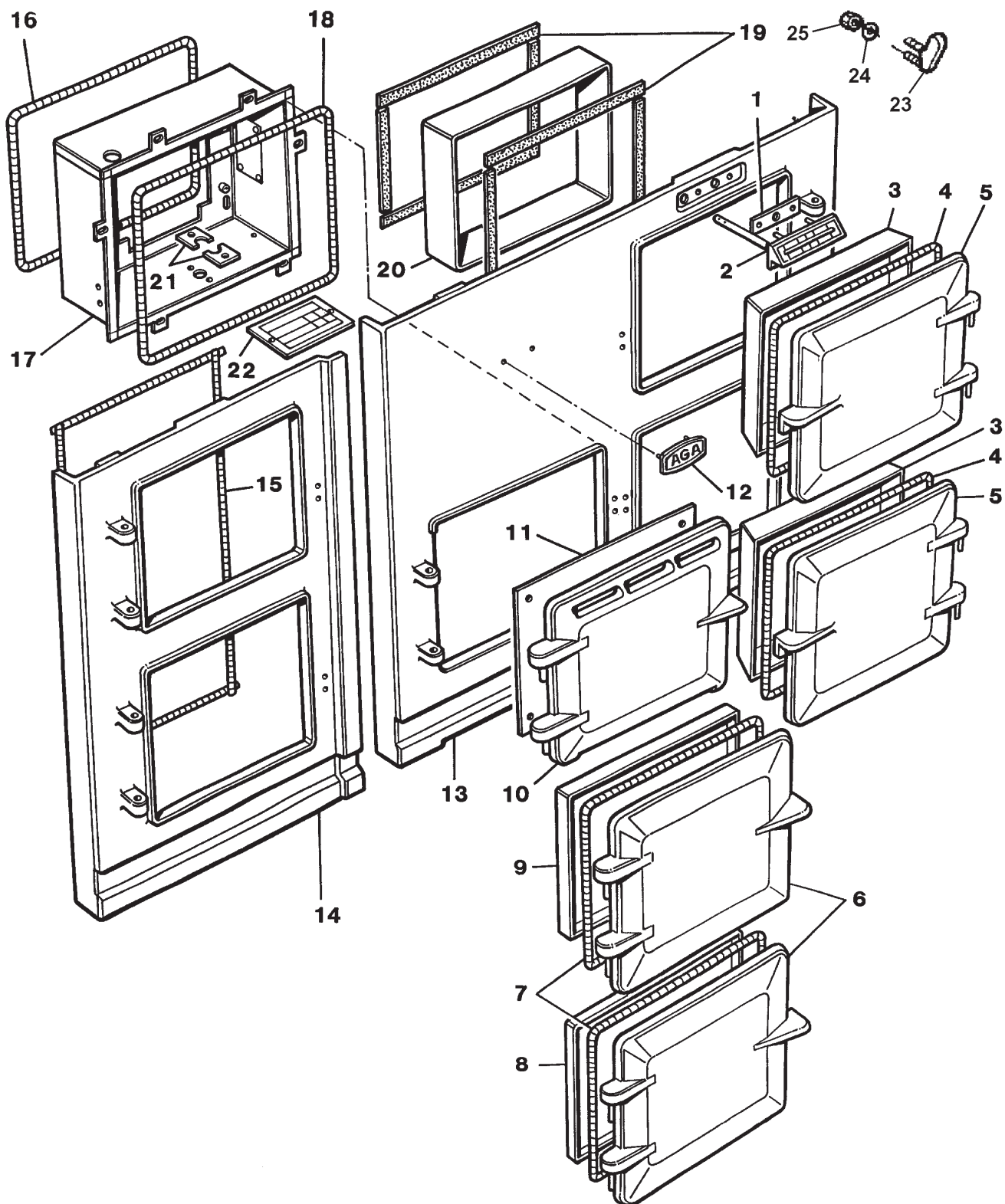
ITEM No.	CAT No.	DESCRIPTION	PRODUCT CODE
1	A1527	SIMMERING PLATE	AO5M2-695
2	A1195	ROASTING OVEN ASSEMBLY	AG1M-RO-BF1
3	A3739	PHIAL SECURING ANGLE (FROM MAY 2000)	AO2M220147
	A3723	STAT PHIAL SUPPORT ASSY (FROM MAY 2000)	AO1M220145
5	NCA	SCREW M12 x 30 LG CSK HD	KCSK500460
6	NCA	M12 SQUARE NUT	NCA
7	A3284	ROASTING TIN - SMALL	EMTY530217
8	A2312	GRILL RACK - SMALL	AG4M210269
9	A2961	SEALING ROPE - 9mm DIA x 1165 LG	JTHR220116
10	NCA	SCREW M12 x 40mm CUP PNT SCKT HD	KGRB500338
11	A1827	BAKING OVEN ASSEMBLY	AS9O81105COMP
12	A2313	GRILL RACK - LARGE	AG4M210268
13	A3285	ROASTING TIN - LARGE	EMTY530218
14	A1282	OVEN GRID SHELF	AE4M211863
15	A3469	LOCKNUT 25mm CONDUIT HEX	KNUT35275
16	R5626 / R5627	No. 4 T/SEAL 13mm x 35m/No. 4 T/SEAL 13mm x 2m	JTHR997623/997624
17	A2029	LH SIDE PLATE FILLER HOUSING	A05M2-683
18	A1293	CONDUIT PHIAL TUBE	AG4M211880
19	A2141	BAKING OVEN HEAT CONDUCTING PLATE	AG5M210165
20	NCA	SCREW M12 x 40mm CUP PNT SCKT HD	KGRB500338
21	A2656	TOP OVEN HEAT CONDUCTING PLATE	AG5M210486
22	A1856	ROPE 10mm DIA x 762 LG	JCRP20403
23	A2929	BOTTOM OVEN VENT PIPE	AG4M210488
24	A2308	GASKET - OUTER BARREL	JGSG210327
25	A2306	GASKET FLUE MANIFOLD	JGSG210328
26	A4040	B/F BOX ASSEMBLY	AG2V211108
27	A2942	PRIMARY AIR/INNER TUBE SPIGOT	AG2M210501
27A	A3950	INNER SEALING RING	AG4M211150
29	A3741	LARGE SPIGOT	AG2M210500
29A	A3951	OUTER SEALING RING	AG4M211151
30	A1856	ROPE CERAMIC FIBRE 10 x 762mm LG	JCRP20403
31	A3744	INSPECTION COVER	AG1M90004
32	A3004	FAN SHIELD	AG2M210075
33	A3867	VENTURI CLAMP BRKT	AG2M210073
34	A2286	'U' BOLT M5	AG4M210074
35	A2326	FAN ASSEMBLY (SIFAN)	AG9M210083
36	R3438	GASKET FAN DUCT	JGSG340524
37	A2328	VENTURI NOZZLE ASSY	AG4M210225
38	A2329	COPPER PIPE 28 mm x 750 mm LG	AG2M210316
39	A2307	VENTURI MANIFOLD ASSY	AG4M210069
40	A2319	OVEN VENT ADAPTOR	AG4M211828
41	A2321	GASKET FLANGED MTG	AG4M210079



AGA GE - BALANCED FLUE (UK)
HOTSPOT, FIRE BARREL AND BURNER CHAMBER ASSEMBLY

AGA GE - BALANCED FLUE - (UK) OCTOBER 2010
HOTSPOT, FIRE BARREL AND BURNER CHAMBER ASSEMBLY

ITEM No.	CAT No.	DESCRIPTION	PRODUCT CODE
1	A1800	BARREL BOLT & NUT SET (INCLUDES ITEM 2)	AS9M52960PR
2			
3	A1346	FIRE BARREL SUPPORT BRACKET	AG5M211047
4	A1522	LH HOT SPOT	AO4M1-386
5	A2419	OUTER BARREL - ONE PIECE	AG4M210442
6	A3289	BARREL FIXING STUD	KSTD210489
7	A3166	BARREL FIXING CLAMP	AG2M210485
8	A1525	BAFFLE PLATE - PLAIN	AO5M220647
9	A1683	HEATER CASTING	AG5M211130
10	NCA	ROPE 20mm DIA x 1067mm LG	JCRP20398
11	R5626/R5627	No. 4 T/SEAL 13mm x 35m/No. 4 T/SEAL 13mm x 2m	JTHR997623/997624
12	A1854	ROPE SEALING 20 DIA x 1778 LG	JCRP20402
13	A1370	BURNER CHAMBER ASSEMBLY	AG1M-BC-BF
14	A2648	OUTER BARREL SEALING RING	AG2M210461

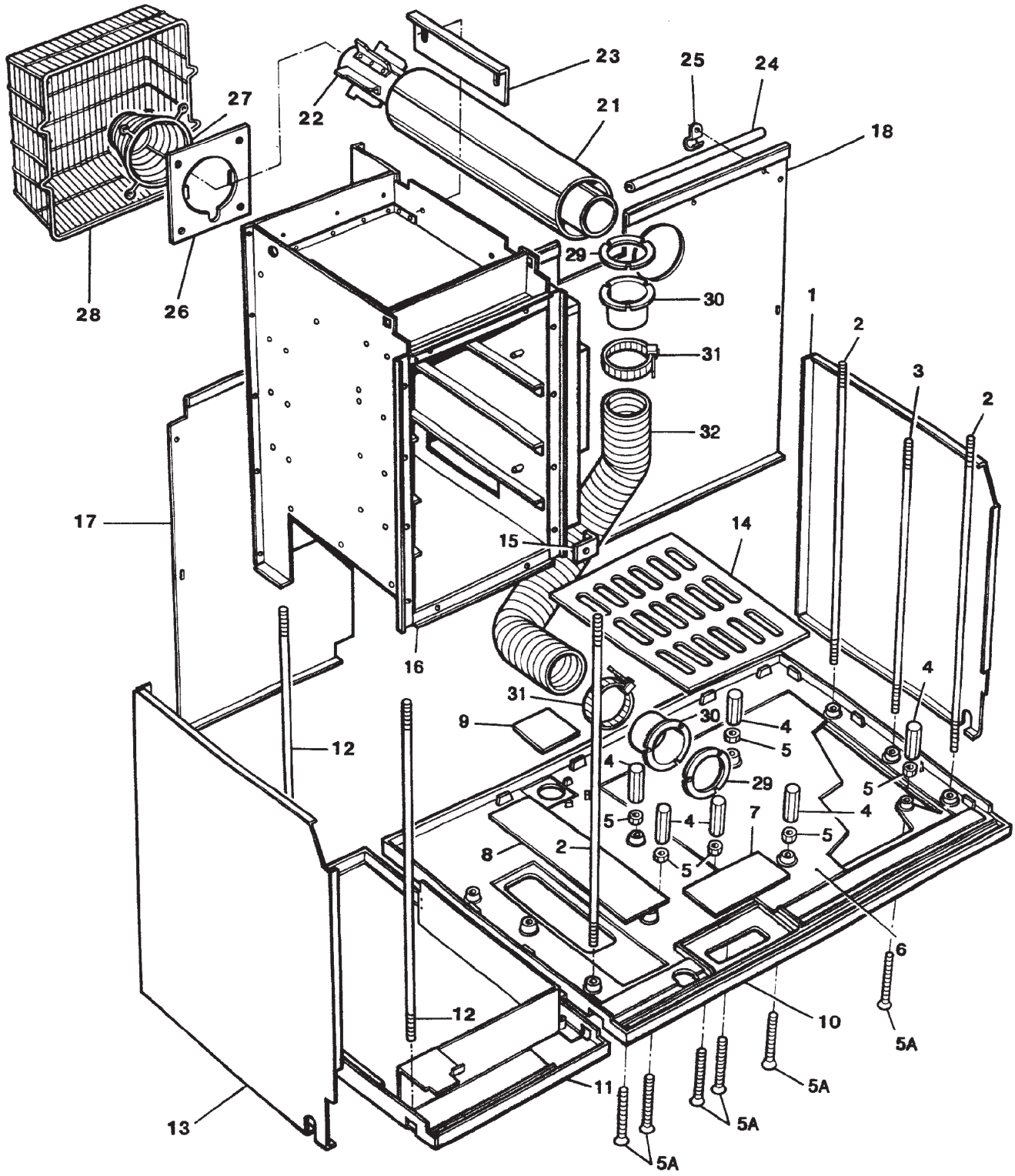


AGA GE - BALANCED FLUE (UK)
 FRONT PLATES AND DOORS

**AGA GE - BALANCED FLUE (UK)
FRONT PLATES AND DOORS**

OCTOBER 2010

ITEM No.	CAT No.	DESCRIPTION	PRODUCT CODE
1	A2115	THERMOMETER RETAINING PLATE - UP TO M10-102	AO9M220004COMP
2	A2157	THERMOMETER - UP TO M10-102	AG4T210257
	A5662	BRANNAN HEAT INDICATOR & SPARES KIT (PRE M10-102)	AG9M996187
	NCA	LIQUID FILLER HEAT INDICATOR (FROM M10-102)	AE4T231182
3	A1482	COVER INSULATION	AO2M90347
4	R5627	ROPE THERMOSEAL No. 4 x 1230 LG - UP TO M01-080	JTHR997624
	A3935	ROPE T/S BLACK - TOP DOOR x 1230 - FROM M01-080	AG1M997916
5	A1709	OVEN DOOR COMPLETE - TOP RH	AS9E1-9285E
5A	A1710	OVEN DOOR COMPLETE - BOTTOM RH	AS9E1-9285F
6	A1711	DOOR - HOT CUPBOARD TOP	AS9E1-9285G
6A	A1712	H/CUPBOARD BOTTOM OVEN DOOR	AS931-9285H
7	A1904	ROPE THERMOSEAL No. 4 x 1230 LG - UP TO M01-080	JTHR997624
	A3936	ROPE T/S BLACK - BTM DOOR x 1205 - FROM M01-080	AG4M997917
8	A1483	OVEN DOOR INSULATING COVERS SHALLOW	AO2M90348
9	A1483	OVEN DOOR INSULATING COVERS SHALLOW	AO2M90348
10	A2391	BURNER DOOR OUTER	AG1E2-753A
11	A3891	LIGHTING INSTRUCTIONS - UK & IRELAND	AG4M210401
12	A2274	AGA BADGE	AG4M210184
	A2435	AGA BADGE (ORIGINAL) - NOT SHOWN	AG4M210341
13	NCA	FRONT PLATE - COOKER (UP TO M02-081)	AG5E210249
	A4383	FRONT PLATE (FROM M02-081)	AG5E211245
	A2322	FRONT PLATE C/W DOORS (FROM M02-081)	AG1M211325
14	A5303	FRONT PLATE HOT CUPBOARD (UP TO M02-081)	AG5E210281
	A4907	FRONT PLATE HOT CUPBOARD (FROM M02-081)	AG5E211243
15	A2290	ROPE SEAL 12w x 3 THK x 350	JTHR20394
	NCA	ROPE SEAL 12w x 3 THK x 350 - BLACK FROM M01-080	JTHR211146
15A	A2290	ROPE SEAL 12w x 3 THK x 642	JTHR20394
	NCA	ROPE SEAL 12w x 3 THK x 642 -BLACK FROM M01-080	JTHR211146
16	NCA	ROPE 7mm DIA x 980 LG	JTHR20390
17	A2159	BURNER HOUSING ASSEMBLY	AG1M210191
18	A3467	ROPE Th No. 2 5mm DIA x 1220 LG	JTHR210867
19	A2860	PYROTAPE	JTHR210645
20	A4784	OVEN FRAME KIT	AG4M211602
21	A2179	GAS PIPE SEALING PLATE	AG2M210230
22	NCA	DATA PLAQUE - NG	AG2M211839
	NCA	DATA PLAQUE - LPG	AG2M211843
23	A3956	DOOR CATCH	AG4M250478
24	A4706	DOOR CATCH GASKET	JGSG211270
25	A4707	LOCKING NUT	KNUT500485



AGA GE - BALANCED FLUE (UK)
 BASE, SIDES, BACK PLATES AND HOT CUPBOARD

BASE, SIDES, BACKPLATES AND HOTCUPBOARD

ITEM No.	CAT No.	DESCRIPTION	PRODUCT CODE
1	A2983	SIDE PLATE COOKER	AG2V210346
2	A2118	CORNER STAY ROD BSW	AG4M210226
3	A1657	OVEN STAY ROD	AG4M43970
4	NCA	BURNER CHAMBER SUPPORT ADJUSTER	AO4M220259
4A	R5022	M12 HEX FULL NUT	KNUT53135
4B	NCA	M12 C/SNK SCREW x 100mm	KCSK500442
6	A2373	FILLER BASE PLATE - LARGE	AO2M210194
7	A4459	BASE FRONT FILLER PIECE - SMALL	AS2M90080R
8	A2374	RH BASE PLATE FILLER	AO2V210306
9	A3544	FLUE OUTLET BANKING PLATE	AG2M210568
10	A2659	BASE PLATE	AG4M210560
11	A3186	BASE PLATE HOTCUPBOARD	AG1M210798
12	A2118	CORNER STAY ROD	AG4M210226
13	A2982	SIDE PLATE - HOT CUPBOARD	AG2V210345
14	A3647	OVEN DIVIDING SHELF	AO5V211617
15	NCA	FRONT PLACE SPACING KIT (UP TO M02-109)	AG2M210517
	A4075	BRACKET STAND-OFF (FROM M02-109)	AG2V211283
16	A3262	H/CUPBOARD OVEN SHELL ASSY	AG1M210796
17	A3260	BACK PLATE H/CUPBOARD	AG2M210657
18	A2276	BACK PLATE	AG2M210084
21	NCA	OUTER TUBE	AG2M210497
22	NCA	INNER TUBE ASSEMBLY	AG1M210893
23	A3261	AIR BAFFLE	AG2M210797
24	NCA	TUBE CABLE GUIDE - DELETED M04-109	AG2M210412
25	R3462	PIPE CLIP 8 mm	FG4M420484
26	A5220	TERMINAL COVER PLATE	AG2M211635
27	A1233	TERMINAL GUARD R/G PLAIN	AG4M30439
28	A2227	TERMINAL GUARD 11' x 11' x 6	AG4M210160
29	A5007	GASKET (PART OF PRIMARY DUCT FASTENERS KIT AE4M230646)	JGSG230644
30	NCA	SPIGOT AIR CIRCULATION DUCT	AE4M230499
31	R1608	4" JUBILEE CLIP	KCLP500389
32	A4486	AIR CIRCULATION DUCT	AE4M230505
33	A4650	PRIMARY AIR DUCT ASSY (CONTAINS ITEMS 30, 31 & 32)	AE1M230643