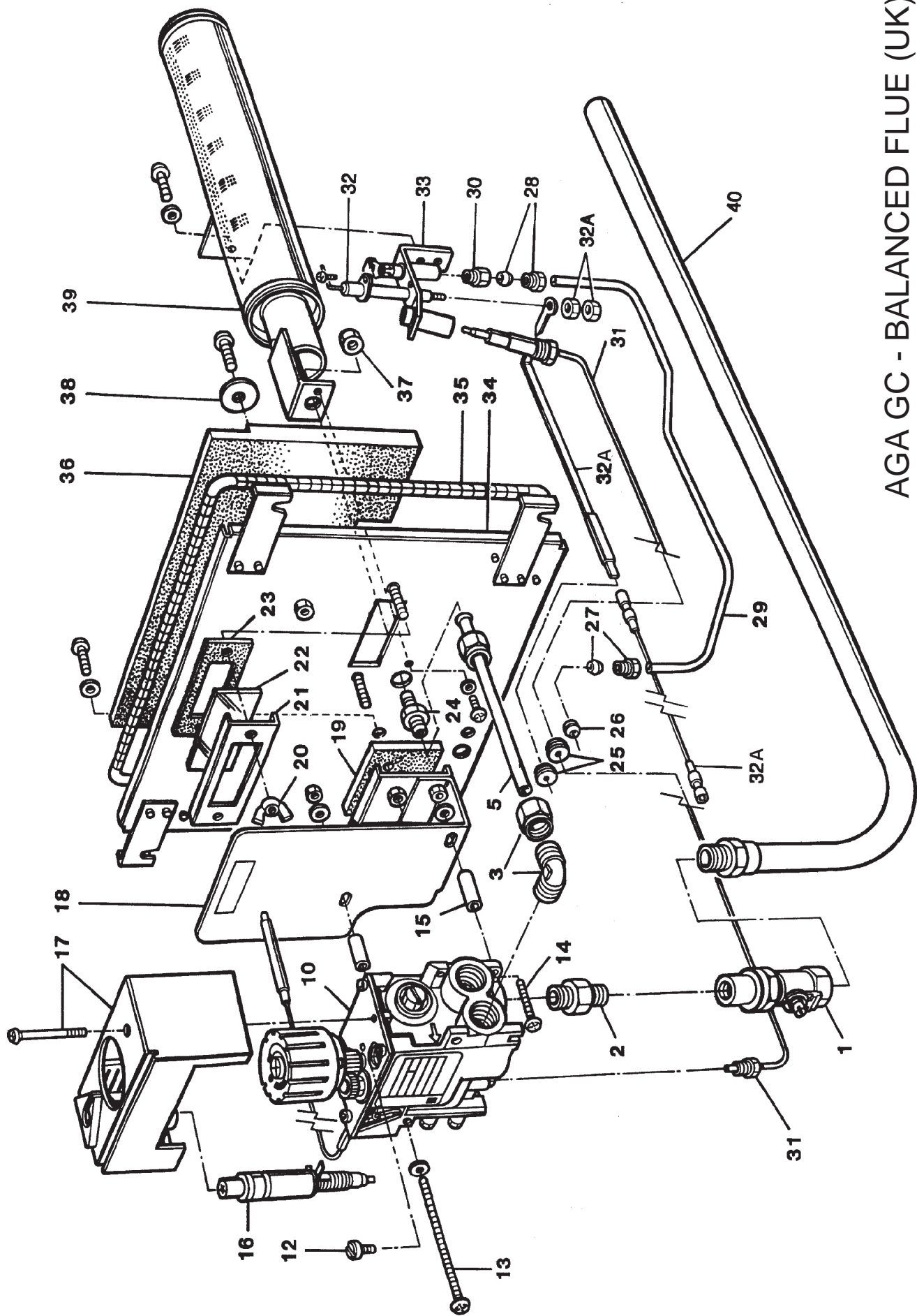


**AGA GC BALANCED
FLUE - UK
(S.I.T. GAS BURNER)**

***SPARE PARTS
MANUAL***

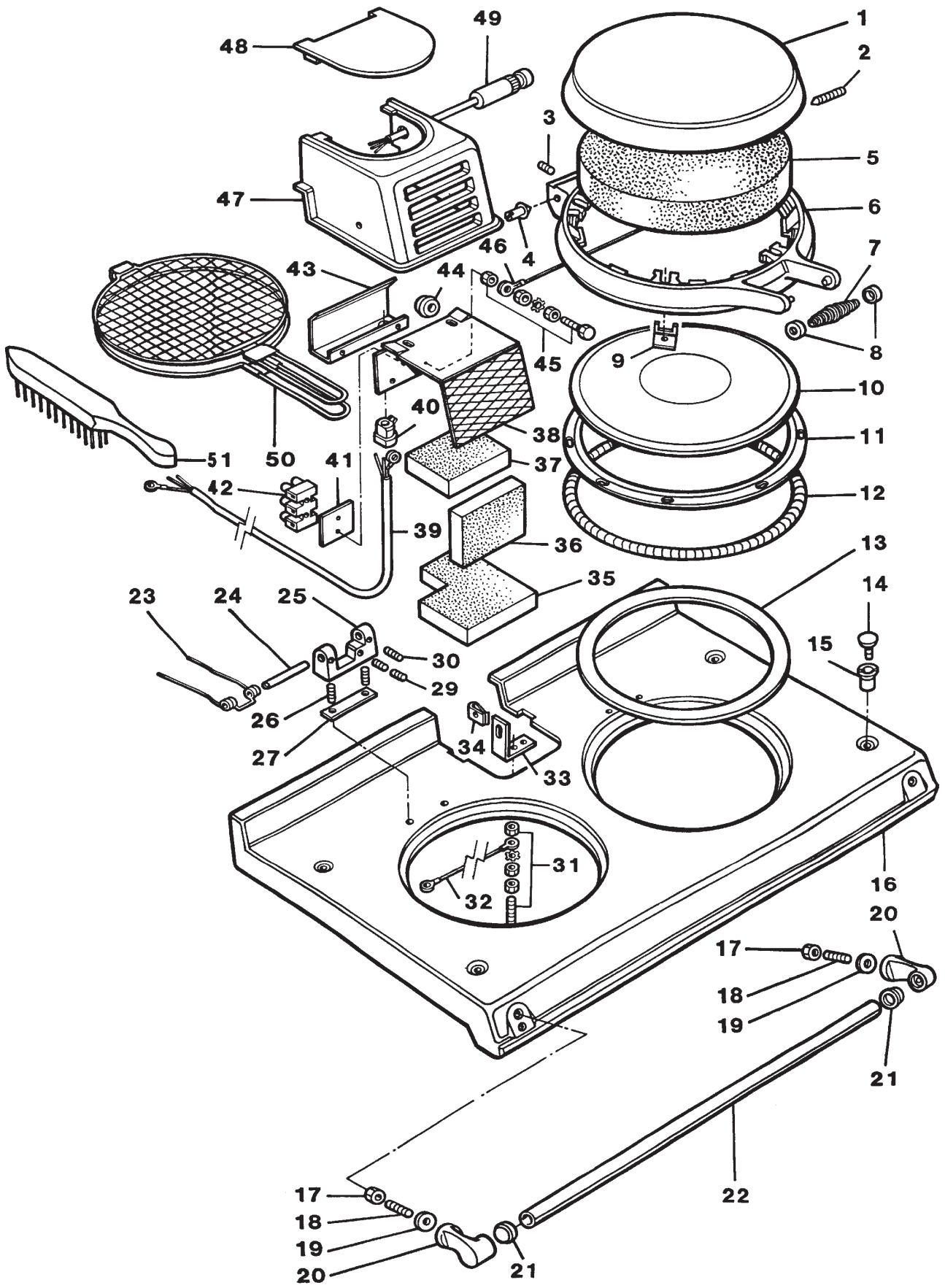


AGA GC - BALANCED FLUE (UK)
S.I.T. GAS BURNER ASSEMBLY

**AGA GC BALANCED FLUE (UK)
S.I.T. GAS BURNER ASSEMBLY**

MAY 2011

ITEM No.	CAT No.	DESCRIPTION	PRODUCT CODE
1	A1219	GAS TAP 1/4" BSP - NG/LPG	AG4M26390
2	A2062	3/8" BSP x 1/4" BSP HEX NIPPLE	AG4M35636
3	A2170	3/8" MALE x 8mm O/D COMP ELBOW	AG4M210241
5	A2969	BURNER FEED PIPE	AG4M210231
10	A2160	GAS VALVE SIT	AG1M210175
12	A2154	BYPASS SCREW - SIZE 1.0 NG (MODEL GC, GE)	KBYP210181
	A2153	BYPASS SCREW - SIZE 1.2 NG (MODEL GCB, GEB)	KBYP210180
	A4051	BYPASS SCREW - SIZE 0.6 LPG (MODEL GC, GE)	KBYP211274
	A2155	BYPASS SCREW - SIZE 0.8 LPG (MODEL GCB, GEB)	KBYP210182
13	A2405	M5 x 80 LG PAN HD SCREW	KPAN210238
14	NCA	M5 x 35 LG PAN HD SCREW	NCA
15	A2166	SPACER	AG4M210201
16	A2172	PIEZO IGNITOR	AG4M210178
17	A2171	CONTROL COVER AND SCREW	AG4M210177
18	A2182	GAS BAFFLE ASSEMBLY	AG1M210208
19	A2162	INSULATION PAD - GAS V/V BAFFLE	JPAD210200
20	G1160	M5 WINGNUT	KNUT53000
21	G1094	SIGHT GLASS FRAME	AG2M210019
22	A1236	SIGHT GLASS	AG4M30840
23	A2204	SIGHT GLASS GASKET	AG4M210011
24	A2300	BURNER INJ CAT 31 SIZE 285 - BRAY NG (MODELS GC, GCB, GE)	AG4M210307
	A2299	BURNER INJ CAT 31 SIZE 330 - BRAY NG (MODEL GEB)	AG4M210314
	A2302	BURNER INJ CAT 15 SIZE 180 - BRAY LPG (MODELS GC, GCB, GE)	AG4M210324
	A2669	BURNER INJ CAT 15 SIZE 200 BRAY LPG (MODEL GEB)	AG4M210342
25	A4046	GROMMET REEVITE	AG4M211223
26	A2165	GROMMET REEVITE RB16	AG4M210237
27	A2199	NUT & OLIVE FOR PILOT FEED TUBE - SIT	KNUT500003
28		NUT & OLIVE FOR PILOT FEED TUBE - JOHNSON PILOT (INCLUDED IN ITEM 33)	
29	A2169	PILOT FEED TUBE	AG4M210195
30	A4047	PILOT INJECTOR NG - (SPARES)	AG4M211226
	A4048	PILOT INJECTOR LPG - (SPARES)	AG4M211227
31	A2369	THERMOCOUPLE - LONG LIFE (KIT)	RG4M998603
32	A4049	IGNITION ELECTRODE NG/LPG	AG4M211228
32A	A4103	ELECTRODE CONNECTOR STRIP/IGNITOR H.T. LEAD ASSY	AG4M211298
33	A4042	PILOT ASSEMBLY - NG	AG4M211221
	A4043	PILOT ASSEMBLY - LPG	AG4M211222
34	A4482	BURNER DOOR ASSEMBLY	AG1M211595
35	NCA	9mm x 840mm LINK ROPE THERMOSEAL	JTHR20438
36	A2163	BURNER DOOR INSULATION PAD	JPAD210196
37	R2199	1/8" BSP LOCKNUT	KNUT35297
38	R3983	M6 PLAIN WASHER	KWSR53393
39	A2168	GAS BURNER - FURIGAS	AG4M210236
40	A2173	GAS FEED PIPE	AG4M210197
	A4059	PILOT BURNER ASSY - NG (PRE M02-050)	AG9M998778
	A4060	PILOT BURNER ASSY - LPG (PRE M02-050)	AG9M998779



AGA GC - BALANCED FLUE (UK)
 TOP PLATES
 AGA HINGES & INSULATING LIDS (UP TO M05-008)

**AGA GC - BALANCED FLUE (UK)
TOP PLATES, INSULATING LIDS**

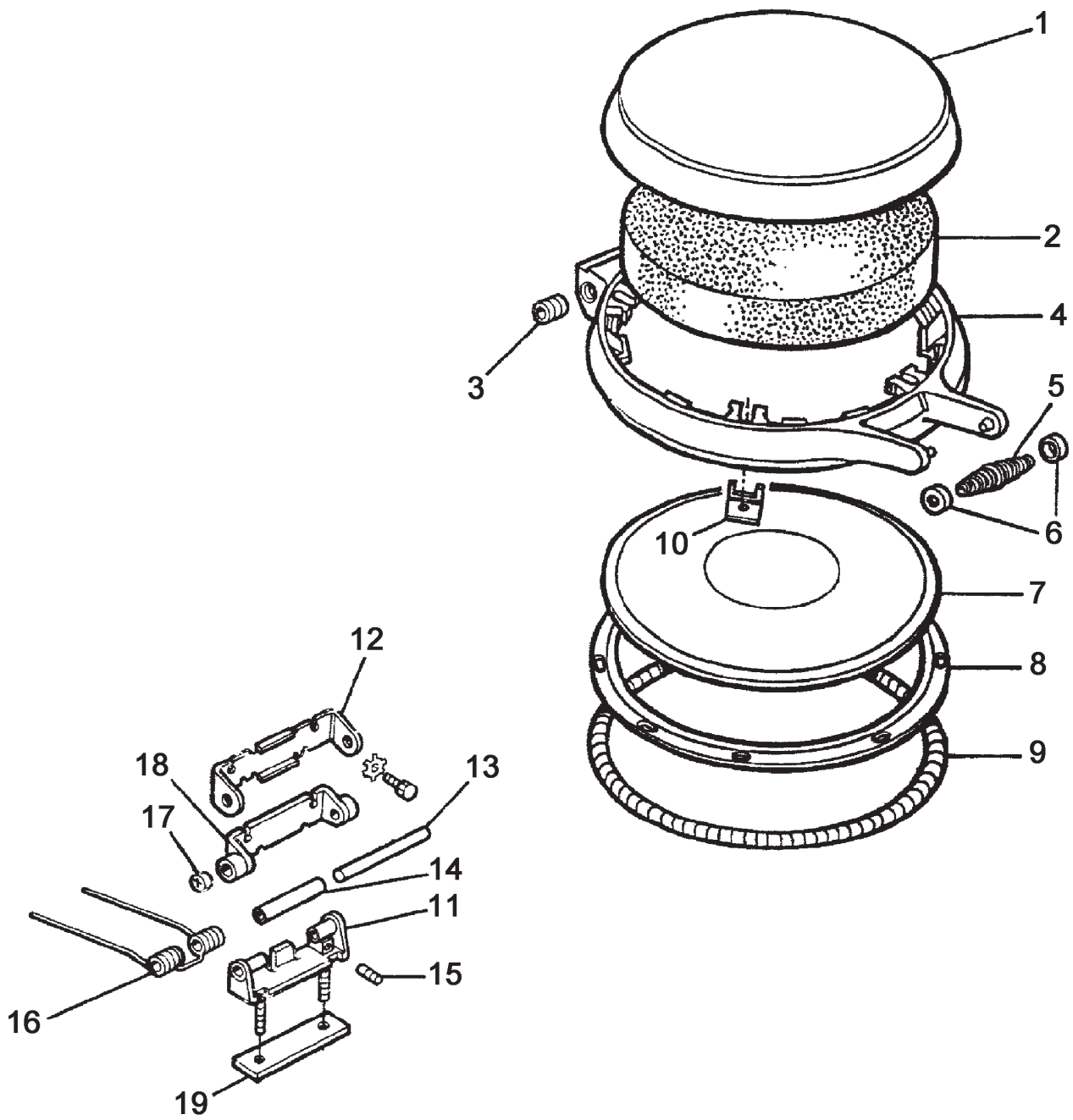
OCTOBER 2010

ITEM No.	CAT No.	DESCRIPTION	PRODUCT CODE
1	A3614	ST/STEEL INSULATING LID COVER	AG4M210905-K
	NCA	INSULATING LID - CI - (NOT SHOWN) (95-98)	AG5E210387
	NCA	INSULATING LID - CI (NOT SHOWN) (98 ONWARDS)	AG5E210864
	NCA	INSULATING LID - CHROME - (NOT SHOWN)	AG4M28101
	NCA	STEEL DOME ASSY COMPLETE	AG1M210917
2	A3283	GRUB SCREW SKT M10 x 25mm LG	KGRB500445
3	A2583	M6 x 6mm LNG SKT GRUB CUP PNT GRUB	KGRB500437
4	A3501	ADJUSTABLE PIVOT BEARING	AG4M210620
5	A5074	DOME INSULATION PAD - 50mm	JPAD211934
6	A3511	INSULATING LID OUTER RING	AG5E210862
7	R3028	COIL HANDLE	RO4M340522
8	R3029	INSULATING LID HANDLE CUPS	RO4M340521
9	A3636	DOME CLAMPING BRACKET (ST/ST LIDS ONLY)	AG4M210904
10	A1632	INSULATING LID LINING RH	AS4M34760
11	A1647	INNER HOLDING RING	AS4M40980
12	A1863	DOME SEALING ROPE	JMAR20410
13	A1342	INSULATING RING	AG5M210840
14	A2119	CORNER STAY BUTTON 5/16" BSW	AG4M210228
15	A2123	CORNER STAY NUT 5/16" BSW	AG4M210244
16	A3535	TOP PLATE	AG1M210167BF
17	R2630	NUT M8 x 35 LG	KNUT53061
18	A4192	ALLTHREAD M8 x 35 LG	KSTD500010
19	A3664	WASHER M8 I/D SHAKEPROOF S/S	KWSR53346
20	A2314	HANDRAIL BRACKET	AG4M210853
21	A2975	VINYL END CAP	AG4M210660
22	A1630	HANDRAIL	AG4M210642
23	A3117	HINGE SPRING - ST/ST LID	AG9M998347
	A3118	HINGE SPRING - CAST IRON LID (NOT SHOWN)	AG9M998348
24	A3134	HINGE SPINDLE	AG4M210775
25	A3184	HINGE BLOCK	AG5E210860
26	A2081	M6 x 25mm STUD	AG4M211021
27	A2589	HINGE BLOCK GASKET	JGSG210477
29	A4101	M6 x 10 mm LG SKT GRUB SCREW	KGRB50512
30	A2583	M6 x 6 mm LG SKT GRUB SCREW	KGRB500437
31	INCLUDES: A3877	STUD M5 x 28 mm LG	KSTD210318
	NCA	NUT M5 HEX FULL Z/P	KNUT52916
	A3878	WASHER M5 S/H PROOF	KWSR53304
32	A4331	EARTH WIRE KIT ASSY	AE4M600154
33	A2294	SHROUD FIXING BRACKET	AG2M210078
34	A2355	'U' CLIP M5	KCLP500274
35	A3436	INSULATION 'A' VENTURI	JPAD210447
36	A4458	INSULATION TYPE 'B'	JPAD210463
37	A3436	INSULATION TYPE 'A'	JPAD210447
38	A3765	CHASSIS PLATE/SCREEN ASSY	AG2V210407
39	NCA	3 CORE CABLE 0.75 mm x 3 mtr	BG4M24900
40	R5039	BUSH HEYCO SR6P4-1210	RG4M313115
41	A2522	3 WAY TERMINAL BLOCK INSULATOR	AG4M45685
42	A2471	12 WAY TERMINAL BLOCK	AE4M45669
43	A3766	REAR COVER CHASSIS B/F	AG2M210410
44	R2719	GROMMET	RG4M31317
45	INCLUDES		
	R5009	SCW M5 16 HEX SET	KHEX50915
	NCA	NUT M5 HEX FULL Z/P	KNUT52916
	NCA	WASHER M5 S/H PROOF	KWSR53301
46	NCA	16/0.2 EARTH WIRE - 370 mm LG (C/W M5 RING CONNECTION)	RO4M24715
47	A2449	FLUE CHAMBER	AG5E210417
48	A2222	SHROUD BLANKING PLATE	AG5E210262
49	A2960	PUSH BUTTON SWITCH - FAN	AG9M210462

AGA GC - BALANCED FLUE (UK)
TOP PLATES, INSULATING LIDS

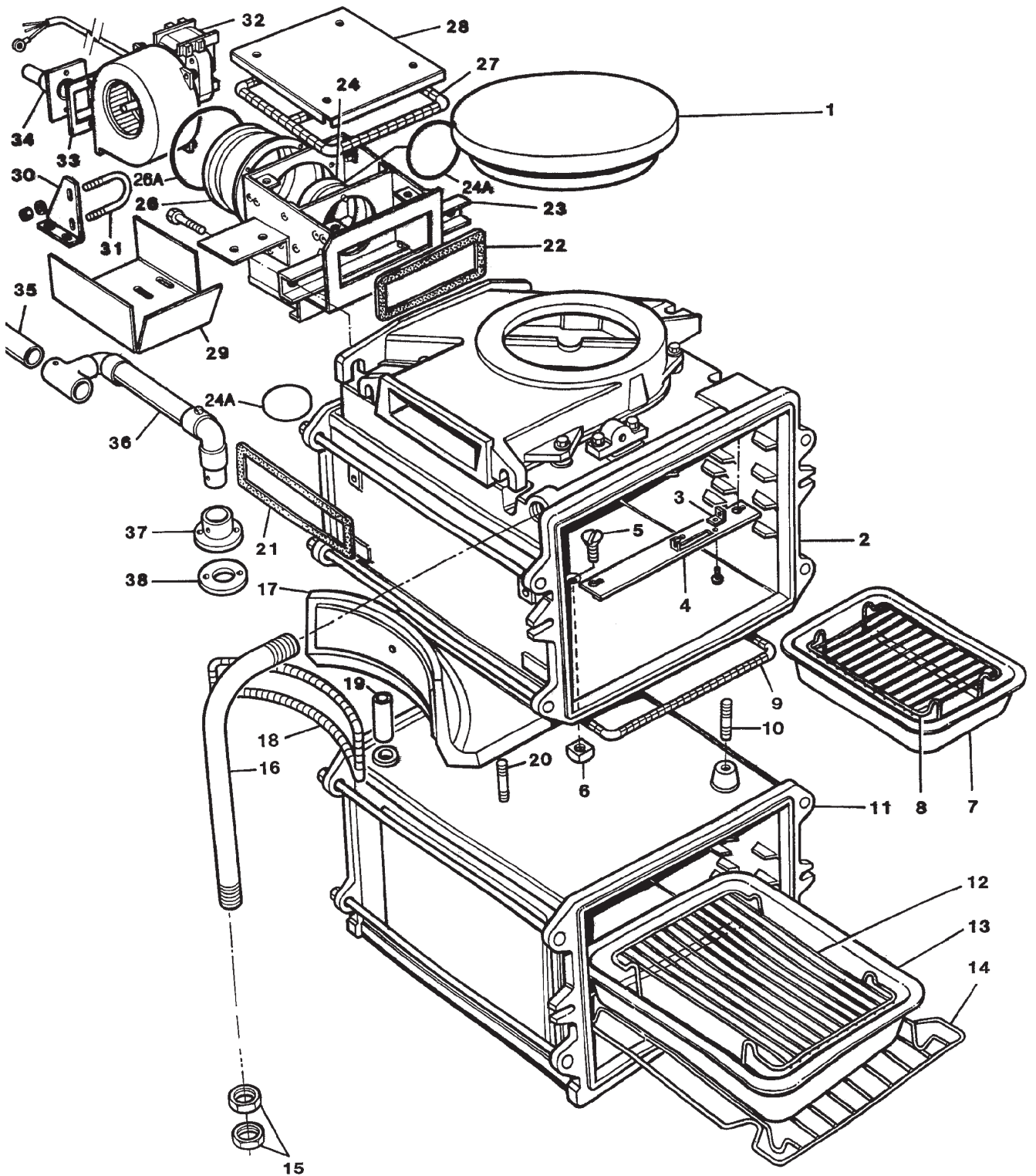
DECEMBER 1999

ITEM No.	CAT No.	DESCRIPTION	PRODUCT CODE
50	A1843	TOASTER	EACS47380
51	A1841	WIRE BRUSH	EACS23230



AGA HINGES & INSULATING LIDS
FROM MOD CHANGE M05-008

ITEM No.	CAT No.	DESCRIPTION	PRODUCT CODE
1	A3614	ST/STEEL INSULATING LID COVER	AG4M210905-K
	NCA	INSULATING LID CI (NOT SHOWN)	AG5E211528
	A4637	ST/STEEL DOME ASSEMBLY - COMP.	AG1M211766
	A4639	CI DOME ASSEMBLY - COMP. (NOT SHOWN)	AG1M211765
2	A5074	DOMES INSULATION PAD - 50mm	JPAD211934
3	A4816	M12 x 16 GRUB SCREW	KGRB500520
4	A4825	INSULATING LID OUTER RING	AG5E211310
5	R3028	COIL HANDLE	RO4M340522
6	R3029	INSULATING LID HANDLE CUPS	RO4M340521
7	A1632	INSULATING LID LINING - RH	AS4M34760
8	A1647	INNER HOLDING RING	AS4M40980
9	A1863	DOMES SEALING ROPE	JMAR20410
10	A3636	DOMES CLAMPING BRKTS - ST/ST LIDS ONLY	AG4M210904
11	A4641	HINGE ASSY WITHOUT SPRING	AG4M211742
11A	A4642	HINGE ASSY WITH SPRING - VE (UP TO M06-170)	AG4M211743
11B	A5157	HINGE ASSY - VE LIDS (FROM M06-170)	AG4M211921
12		PART OF ITEM 11 & 11A	
13		PART OF ITEM 11 & 11A	
14	NCA	SPINDLE SLEEVE (PART OF ITEM 11 & 11A)	AG4M997030
15	A5404	SCREW M5 x 16 LG GRUB	KGRB500521
16	A3646	SPRING (PART OF ITEM 11A/B)	AG4M210774
17	A4658	ADJUSTER (PART OF ITEM 11 & 11A)	AG4M997031
18		PART OF ITEM 11 & 11A	
19	A2589	HINGE BLOCK GASKET	JGSG210477
19A	NCA	GASKET HINGE BLOCK - VE LIDS (FROM M06-170)	JGSG211914

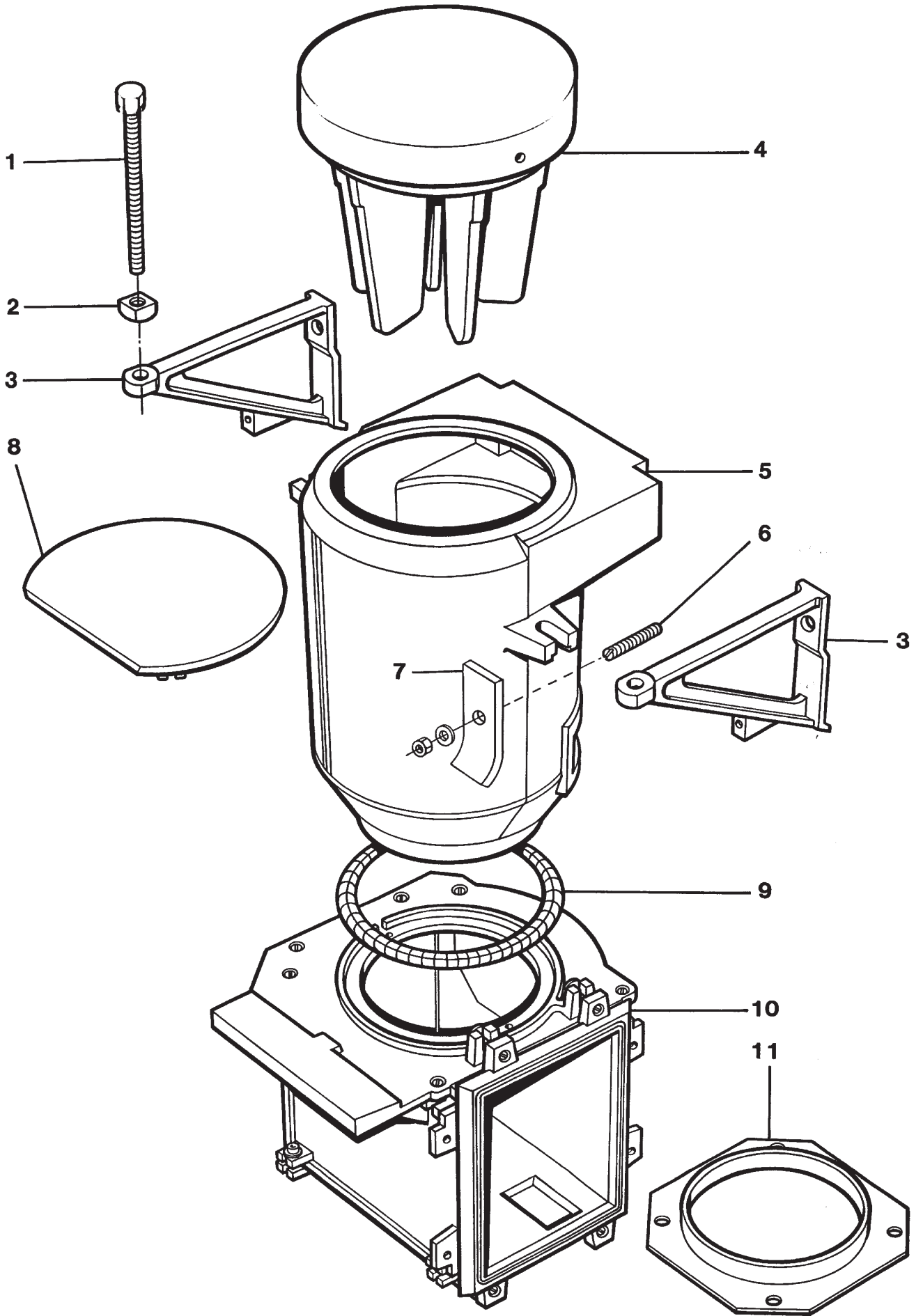


AGA GC - BALANCED FLUE (UK)
 OVENS AND ACCESSORIES, SIMMERING PLATE

**AGA GC - BALANCED FLUE (UK)
OVENS AND ACCESSORIES, SIMMERING PLATE**

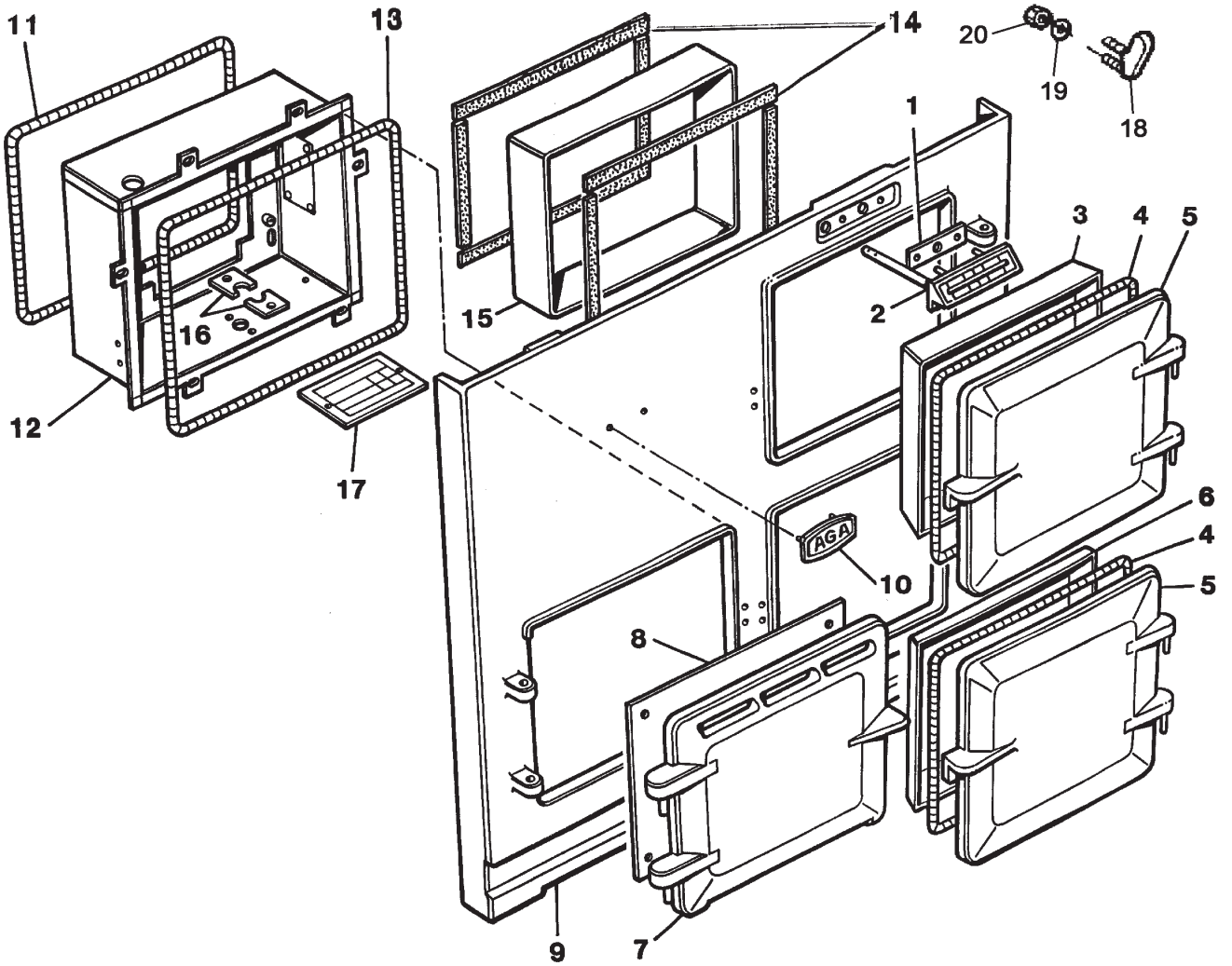
OCTOBER 2010

ITEM No.	CAT No.	DESCRIPTION	PRODUCT CODE
1	A1527	SIMMERING PLATE	AO5M2-695
2	A1195	ROASTING OVEN ASSEMBLY	AG1M-RO-BF1
3	A3739	PHIAL SECURING ANGLE (FROM MAY 2000)	AO2M220147
	A3723	STAT PHIAL SUPPORT ASSY (FROM MAY 2000)	AO1M220145
5	NCA	SCREW M12 x 30 LG CSK HD	KCSK500460
6	NCA	M12 SQUARE NUT	NCA
7	A3284	ROASTING TIN - SMALL	EMTY530217
8	A2312	GRILL RACK - SMALL	AG4M210269
9	A2961	SEALING ROPE - 9mm DIA x 1165 LG	JTHR220116
10	NCA	SCREW M12 x 40mm CUP PNT SCKT HD	KGRB500338
11	A1476	SIMMERING OVEN ASSEMBLY	AG1M-SO-NF
12	A2313	GRILL RACK - LARGE	AG4M210268
13	A3285	ROASTING TIN - LARGE	EMTY530218
14	A1282	OVEN GRID SHELF	AE4M211863
15	A3469	LOCKNUT 25mm CONDUIT HEX	KNUT35275
16	A1293	CONDUIT PHIAL TUBE	AG4M211880
17	A2656	TOP OVEN HEAT CONDUCTING PLATE	AG5M210486
18	A1856	ROPE 10mm DIA x 762 LG	JCRP20403
19	A2929	OVEN VENT PIPE - BOTTOM	AG4M210488
20	NCA	SCREW M12 x 40mm CUP PNT SKT HD	KGRB500338
21	A2308	GASKET - OUTER BARREL	JGSG210327
22	A2306	FLUE MANIFOLD GASKET	JGSG210328
23	A4040	B/F BOX SUB ASSY	AG2V211108
24	A2942	PRIMARY AIR/INNER TUBE SPIGOT	AG2M210501
24A	A3950	INNER SEALING RING	AG4M211150
26	A3741	LARGE SPIGOT	AG2M210500
26A	A3951	OUTER SEALING RING	AG4M211151
27	A1856	ROPE CERAMIC FIBRE 10 x 762 mm LG	JCRP20403
28	A3744	INSPECTION COVER	AG1M90004
29	A3004	FAN SHIELD	AG2M210075
30	A3867	VENTURI CLAMP BRKT	AG2M210073
31	A2286	'U' BOLT M5	AG4M210074
32	A2326	FAN ASSEMBLY (SIFAN)	AG9M210083
33	R3438	GASKET FAN DUCT	JGSG340524
34	A2328	VENTURI NOZZLE ASSY	AG4M210225
35	A2329	COPPER PIPE 28 mm x 750 mm LG	AG2M210316
36	A2307	VENTURI MANIFOLD ASSY	AG4M210069
37	A2319	OVEN VENT ADAPTOR	AG4M211828
38	A2321	GASKET FLANGED MTG	AG4M210079



AGA GC - BALANCED FLUE (UK)
 HOTSPOT, FIRE BARREL AND BURNER CHAMBER ASSEMBLY

ITEM No.	CAT No.	DESCRIPTION	PRODUCT CODE
1	A1800	BARREL BOLT & NUT SET (INCLUDES ITEM 2)	AS9M52960PR
2			
3	A1346	FIRE BARREL SUPPORT BRACKET	AG5M211047
4	A1522	LH HOT SPOT	AO4M1-386
5	A2419	OUTER BARREL - ONE PIECE	AG4M210442
6	A3289	BARREL FIXING STUD	KSTD210489
7	A3166	BARREL FIXING CLAMP	AG2M210485
8	A1525	BAFFLE PLATE - PLAIN	AO5M220647
9	A1854	ROPE SEALING 20 DIA x 1778 LG	JCRP20402
10	A1370	BURNER CHAMBER ASSEMBLY	AG1M-BC-BF
11	A2648	OUTER BARREL SEALING RING	AG2M210461



AGA GC - BALANCED FLUE (UK)
FRONT PLATES AND DOORS

**AGA GC - BALANCED FLUE (UK)
FRONT PLATES AND DOORS**

OCTOBER 2010

ITEM No.	CAT No.	DESCRIPTION	PRODUCT CODE
1	A2115	THERMOMETER RETAINING PLATE - UP TO M10-102	AO9M220004COMP
2	A2157	THERMOMETER - UP TO M10-102	AG4T210257
	A5662	BRANNAN HEAT INDICATOR & SPARES KIT (PRE M10-102)	AG9M996187
	NCA	LIQUID FILLED HEAT INDICATOR FROM M10-102	AE4T231182
3	A1482	COVER INSULATION - ROASTING OVEN	AO2M90347
4	R5627	ROPE THERMOSEAL - UP TO M01-080	JTHR997624
	A3935	ROPE T/S BLACK TOP DOOR x 1230 LG - FROM M01-080	AG4M997916
	A3936	ROPE T/S BLACK BTM DOOR x 1205 LG FROM M01-080	AG4M997917
5	A1709	OVEN DOOR COMPLETE - TOP RH	AS9E1-9285E
5A	A1710	OVEN DOOR COMPLETE - BOTTOM RH	AS9E1-9285F
6	A1483	COVER INSULATION - SIMMERING OVEN (UP TO MAY 2000)	AO2M90348
	A1482	COVER INSULATION - SIMMERING OVEN (FROM MAY 2000)	AO2M90347
7	A2391	BURNER DOOR - OUTER	AG1E2-753A
8	A3891	LIGHTING INSTRUCTIONS - UK & IRELAND	AG4M210401
9	NCA	FRONT PLATE COOKER (UP TO M02-081)	AG5E210249
	A4383	FRONT PLATE (FROM M02-081)	AG5E211245
	A2322	FRONT PLATE C/W DOORS	AG1M211325
10	A2274	AGA BADGE	AG4M210184
	A2435	AGA BADGE (ORIGINAL STYLE) - NOT SHOWN	AG4M210341
11	NCA	ROPE 7mm DIA x 980 LG	JTHR20390
12	A2159	BURNER HOUSING ASSEMBLY	AG1M210191
13	A3467	ROPE TH No. 5 DIA x 1220 LG	JTHR210867
14	A2860	PYROTAPE	JTHR210645
15	A4784	OVEN FRAME KIT	AG4M211602
16	A2179	GAS PIPE SEALING PLATE	AG2M210230
17	NCA	DATA PLAQUE - NG	AG2M211839
	NCA	DATA PLAQUE - LPG	AG2M211843
18	A3956	DOOR CATCH	AG4M250478
19	A4706	DOOR CATCH GASKET	JGSG211270
20	A4707	LOCKING NUT	KNUT500485