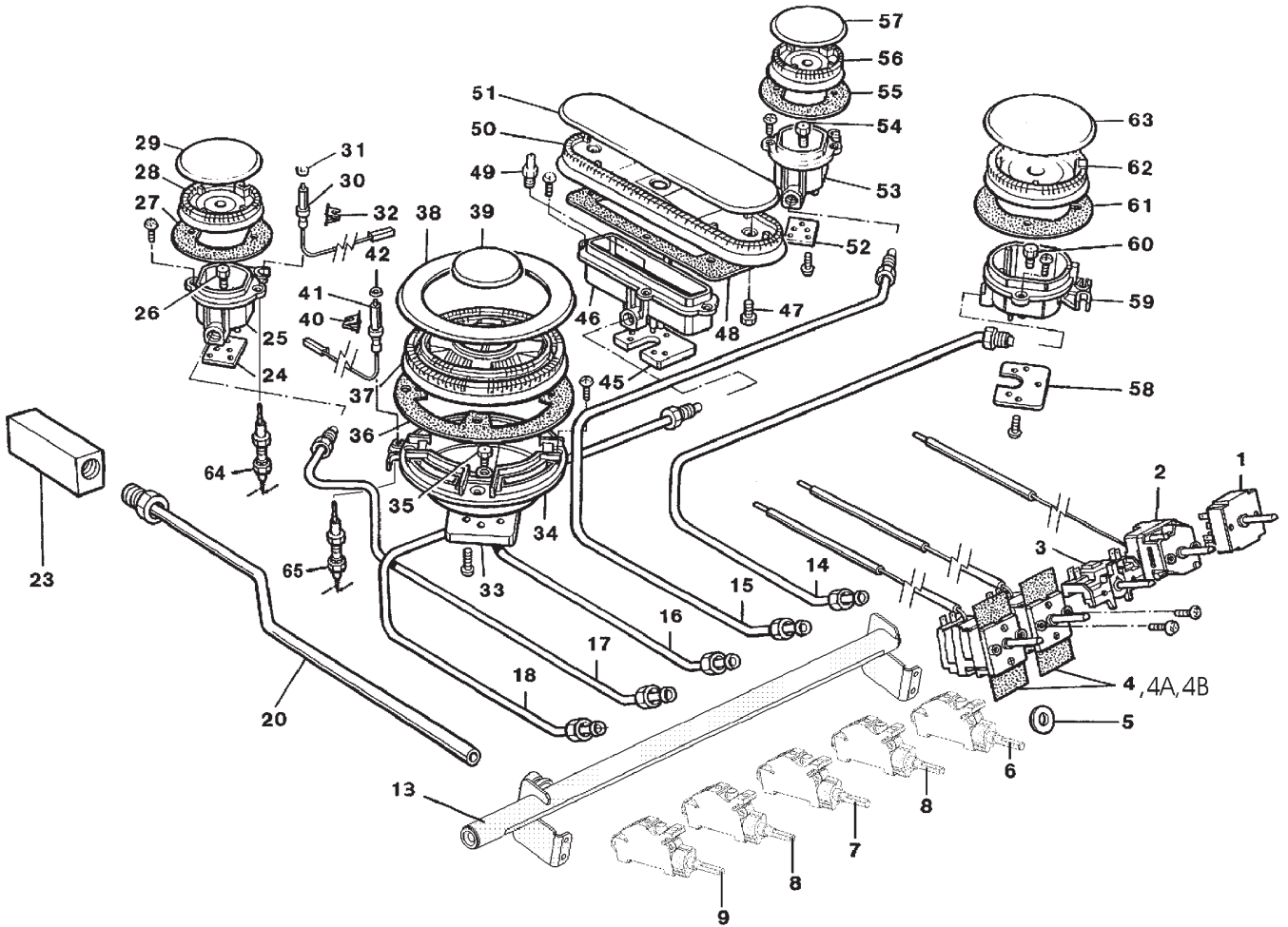


**AGA  
MASTERCHEF  
DELUXE**

***SPARE PARTS  
MANUAL***



## AGA MASTERCHEF II DELUXE HOTPLATE BURNER PARTS

**AGA MASTERCHEF II DELUXE  
HOTPLATE BURNER PARTS**

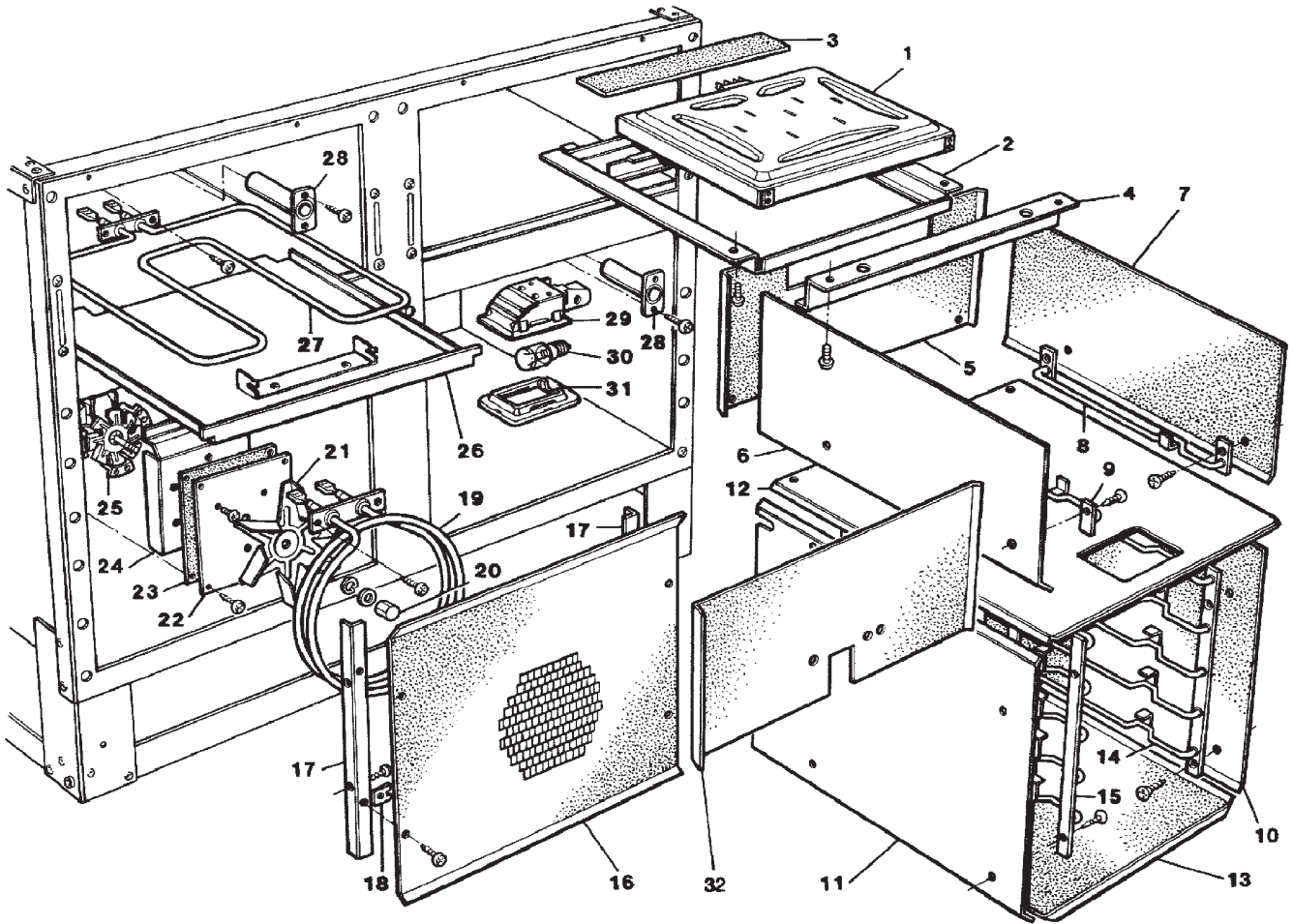
**DECEMBER 2010**

<b>ITEM No.</b>	<b>CAT No.</b>	<b>DESCRIPTION</b>	<b>PRODUCT CODE</b>
1	M0344	GRILL REGULATOR	AE4M260611
2	M0327	OVEN THERMOSTAT - UPPER OVEN	AE4T260609
3	M0342	ROTARY SWITCH	AE4M260610
4	M0296	OVEN THERMOSTAT - MAIN OVEN	AE4T260608
5	M0408	FSD TAP SPACER	AG4M260634
6	M0338	FSD CONTROL TAP 3 kW (NG)	AG4M260699
	M0332	FSD CONTROL TAP 3 kW (LPG)	AG4M260700
7	M0333	FSD CONTROL TAP 2.6 kW (FISH KETTLE) - NG	AG4M260701
	M0348	FSD CONTROL TAP 2.6 kW (FISH KETTLE) - LPG	AG4M260702
8	M0339	FSD CONTROL TAP 1.75 kW (NG)	AG4M260703
	M0349	FSD CONTROL TAP 1.75 kW (LPG)	AG4M260704
9	M0335	FSD CONTROL TAP 3.5 kW (NG)	AG4M260705
	M0337	FSD CONTROL TAP 3.5 kW (LPG)	AG4M260706
13	M0467	GAS RAIL ASSY - LPG	AG4M260652
	M0473	GAS RAIL ASSY - NG	AG4M260623
14	M0502	GAS TUBE RIGHT FRONT (3.0 kW)	AG4M260607
15	M0500	GAS TUBE RIGHT BACK (1.75 kW)	AG4M260605
16	M0501	GAS TUBE - FISH KETTLE	AG4M260606
17	M0499	GAS TUBE LEFT BACK (1.75 kW)	AG4M260603
18	M0494	GAS TUBE LEFT FRONT (WOK)	AG4M260604
20	NCA	GAS TUBE FROM INLET BLOCK TO RAIL	AG4M260598
23	M0074	GAS TUBE CONNECTION BLOCK	AE4M260311
24	A4346	S/RAPIDE SPACER (1.75 kW)	AG4M250032
25	M0078	BURNER CUP WITH INECTOR (0.97)	AG4M250132
26	A3227	INJECTOR FOR 1.75 kW No. 97 - NG	AG4M998433
	A3228	INJECTOR FOR 1.75 kW No. 65 - LPG	AG4M250119
27	A3202	BURNER GASKET 1.7 kW	JGSG250079
28	A3192	FLAME SPREADER 1.75 kW	AG4M250123
29	A3193	BURNER CUP 1.75 kW	AG4M250124
30	M0075	IGNITION ELECTRODE AND WIRE	AE4M260349
31	A3215	ELECTRODE SEAL	AG4M250030
32	A3216	CLIP FOR IGNITION ELECTRODE	AG4M250031
33	A4319	WOK SPACER (3.5 kW)	AG4M250068
34	M0136	BURNER CUP WITH INJECTOR (130)	AG4M250134
35	A3230	INJECTOR FOR 3.5 kW No. 130 - NG	AG4M998435
	A3233	INJECTOR FOR 3.5 kW No. 95 - LPG	AG4M250121
36	A3204	BURNER GASKET 3.5 kW (WOK)	JGSG250077
37	A3196	FLAME SPREADER 3.5 kW	AG4M250127
38	A3197	BURNER CAP 3.5 kW	AG4M250128
39	A3198	BURNER INNER CAP 3.5 kW	AG4M250129
40	A3216	CLIP FOR IGNITOR ELECTRODE	AG4M250031
41	M0076	IGNITION ELECTRODE AND WIRE	AE4M260350
42	M0010	ELECTRODE SEAL (3.5 kW)	AG4M250028
45	A3976	RAPIDE SPACER	AG4M250033
46	M0101	GAS BURNER BODY - FISH KETTLE	AE4M260146
47	NCA	SCREW (INCLUDED IN ITEM 50)	NCA
48	M0077	BURNER GASKET 2.6 kW - FISH KETTLE	JGSG260282
49	M0352	INJECTOR No. 108 - NG (FISH KETTLE)	AG4M260563
	M0025	INJECTOR 2.6 kW No. 80 - LPG (FISH KETTLE)	AE4M260273
50	M0026	FLAME SPREADER - FISH KETTLE	AE4M260147
51	NCA	FLAME CAP - (INCLUDED IN ITEM 50)	NCA
52	A4346	S/RAPIDE SPACER (1.75 kW)	AG4M250032
53	M0078	BURNER CAP WITH INJ 097	AG4M250132
54	A3227	INJECTOR FOR 1.75 kW No. 097 - NG	AG4M998433
	A3228	INJECTOR FOR 1.75 kW No. 65 - LPG	AG4M250119
55	A3202	BURNER GASKET 1.75 kW	JGSG250079
56	A3192	FLAME SPREADER 1.75 kW	AG4M250123

**AGA MASTERCHEF II DELUXE  
HOTPLATE BURNER PARTS**

**DECEMBER 2010**

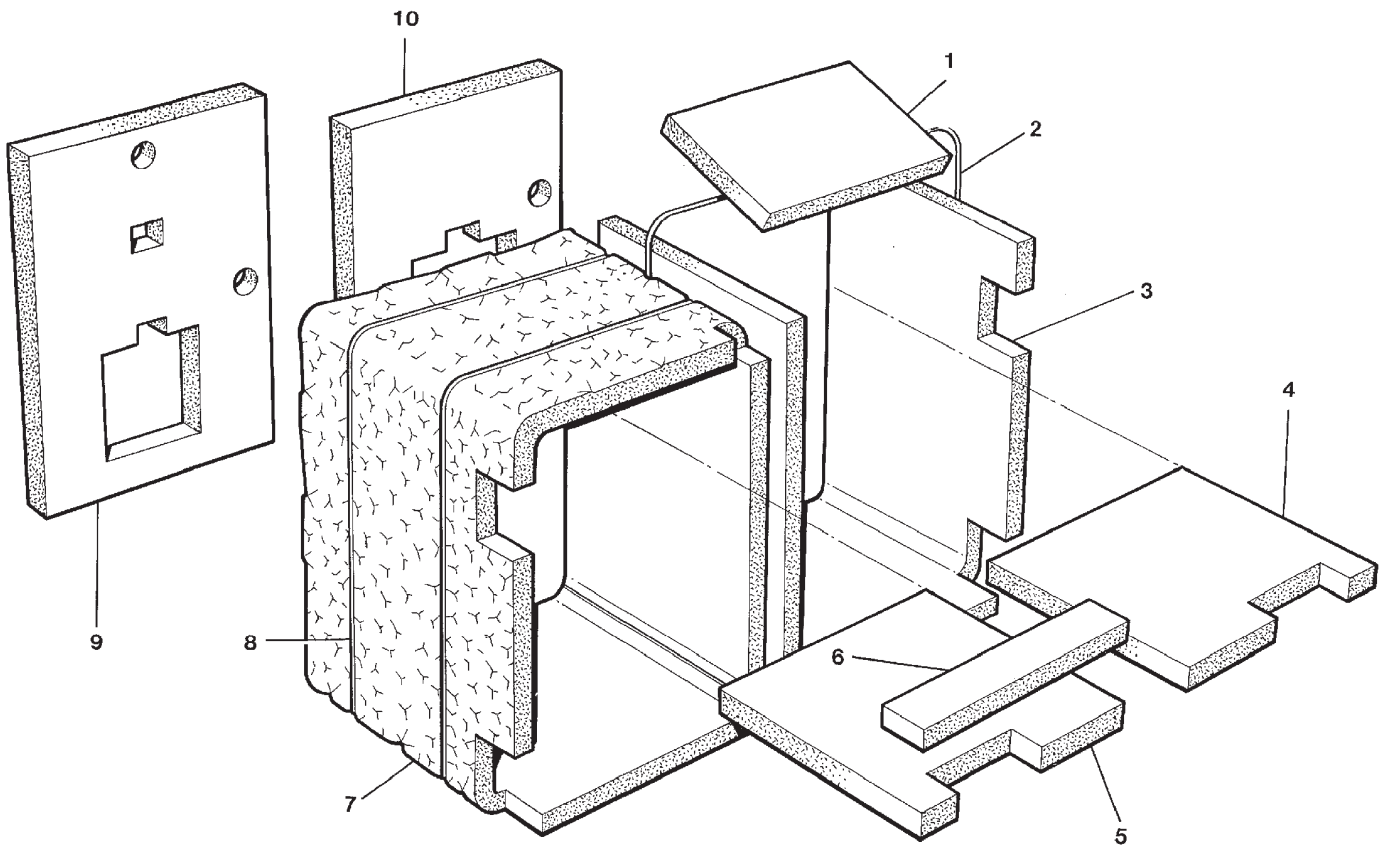
ITEM No.	CAT No.	DESCRIPTION	PRODUCT CODE
57	A3193	BURNER CAP 1.75 kW	AG4M250124
58	A3976	RAPIDE SPACER	AG4M250033
59	M0079	BURNER CUP WITH INJ 116	AG4M250133
60	A3234	INJECTOR FOR 3.0 kW No. 116 - NG	AG4M998434
	A3231	INJECTOR FOR 3.0 kW No. 85 - LPG	AG4M250120
61	A3203	BURNER GASKET 3.0 kW	JGSG250078
62	A3194	FLAME SPREADER 3.0 kW	AG4M250125
63	A3195	BURNER CAP 3.0 kW	AG4M250126
64	M0346	FSD PROBE - 850 mm	AG4M260599
65	M0334	FSD PROBE - 600 mm	AG4M260600



**AGA MASTERCHEF II DELUXE  
 MAIN OVEN ELECTRICAL WRAP ELEC. GRILL ASSEMBLIES**

**AGA MASTERCHEF II DELUXE                      DECEMBER 2010**  
**MAIN OVEN ELECTRICAL WRAP ELEC. GRILL ASSEMBLIES**

ITEM No.	CAT No.	DESCRIPTION	PRODUCT CODE
1	M0033	GRILL ASSY - ELECTRIC (UP TO M09-046)	AE4M260103
1A	NCA	GRILL ASSY (FROM M09-046)	AE4M260947
1B	M0488	GRILL ASSY RETRO KIT (PRE M09-046)	AE9M997830
2	M0119	GRILL ROOF LINING ASSY	AE1M260323
3	M0410	INSULATION - REAR	JPAD260266
4	M0175	PELMET	AE4M260141
5	M0120	GRILL LINER REAR	AE4M260303
6	M0121	GRILL SIDE LINER - LH	AE4M260123
7	M0122	GRILL SIDE LINER - RH	AE4M260124
8	M0123	OVEN RAIL UPPER - RH	AE4M260197
9	M0124	OVEN RAIL UPPER - LH	AE4M260196
10	M0125	OVEN LINING - RH	AE4M260071
11	M0118	OVEN LINING - LH	AE4M260072
12	M0126	OVEN LINER ROOF	AE4M260073
13	M0127	OVEN LINER FLOOR	AE4M260243
14	M0147	OVEN RAIL - LOWER OVEN RH	AE4M260413
15	M0146	OVEN RAIL - LOWER OVEN LH	AE4M260412
16	M0128	FAN PANEL	AE4M260038
17	M0183	FAN PANEL - BRACKET	AE2M260033
18	M0212	'J' NUT No. 8	KNUT500406
19	M0015	ELEMENT LOWER OVEN	AE4M260155
	M0034	OVEN FAN ASSY (INCL ITEMS 20 TO 25)	AE1M260312
20	NCA	NUT IMPELLOR	NCA
21	NCA	IMPELLOR - 152 MM (FROM M07-142)	AE4M260909
22	A5038	FAN MOUNTING PLATE	AE4M240017
23	A3093	GASKET - FAN	JGSG240142
24	A3094	FAN SHIELD FABRICATION	AE2M240119
25	NCA	OVEN FAN (UP TO M07-142)	AE4M260212
25A	NCA	OVEN FAN (FROM M07-142)	AE4M260908
25B	M0424	CIRCULATION FAN ASSY (PRE M07-142)	AE9M997604
26	M0173	OVEN FLOOR TOP	AE4M260020
27	M0016	WARMING OVEN ELEMENT	AE4M260156
28	NCA	VENT PIPE	AE4M260191
	NCA	VENT PIPE LHS - SIMMERING OVEN	AE4M260492
	M0097	OVEN LAMP & BULB (COMPRISES 29, 30 & 31)	AE4M260144
29	NCA	LAMP UPPER	NCA
30	NCA	BULB	NCA
31	NCA	LAMP LENS	NCA
32	M0145	LINING OVEN REAR - UPPER WARMING OVEN	AE4M260489



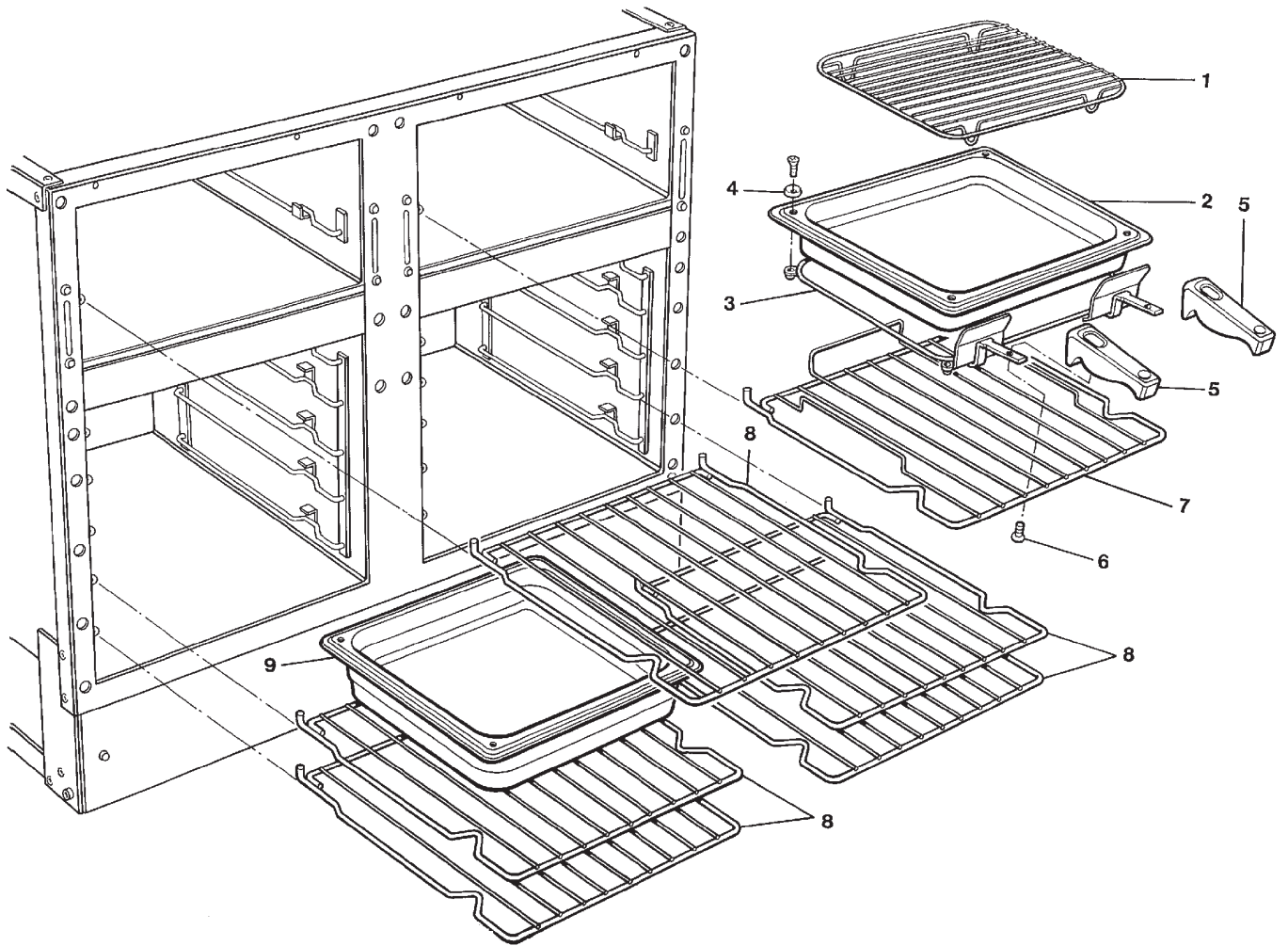
**AGA MASTERCHEF II DELUXE  
INSULATION**

AGA MASTERCHEF II DELUXE  
INSULATION

DECEMBER 2010

ITEM No.	CAT No.	DESCRIPTION	PRODUCT CODE
1	M0367	INSULATION - GRILL TRUNKING	JPAD260300
2	A3096	WIRE 20 SWG (REEL)	AE4M240145
3	M0426	INSULATION - OVEN/GRILL WRAP	JPAD260274
4	M0428	INSULATION - GRILL/SIMMERING OVEN - RH	JPAD260276
5	M0428	INSULATION - GRILL/SIMMERING OVEN - LH	JPAD260276
6	M0431	INSULATION - WARMING OVEN	JPAD260302
7	M0427	INSULATION - ELEC. OVEN WRAP	JPAD260275
8	A3096	WIRE 20SWG (REEL)	AE4M240145
9	M0430	INSULATION - ELEC. OVEN REAR	JPAD260280
10	M0429	INSULATION - ELEC. GRILL REAR	JPAD260279



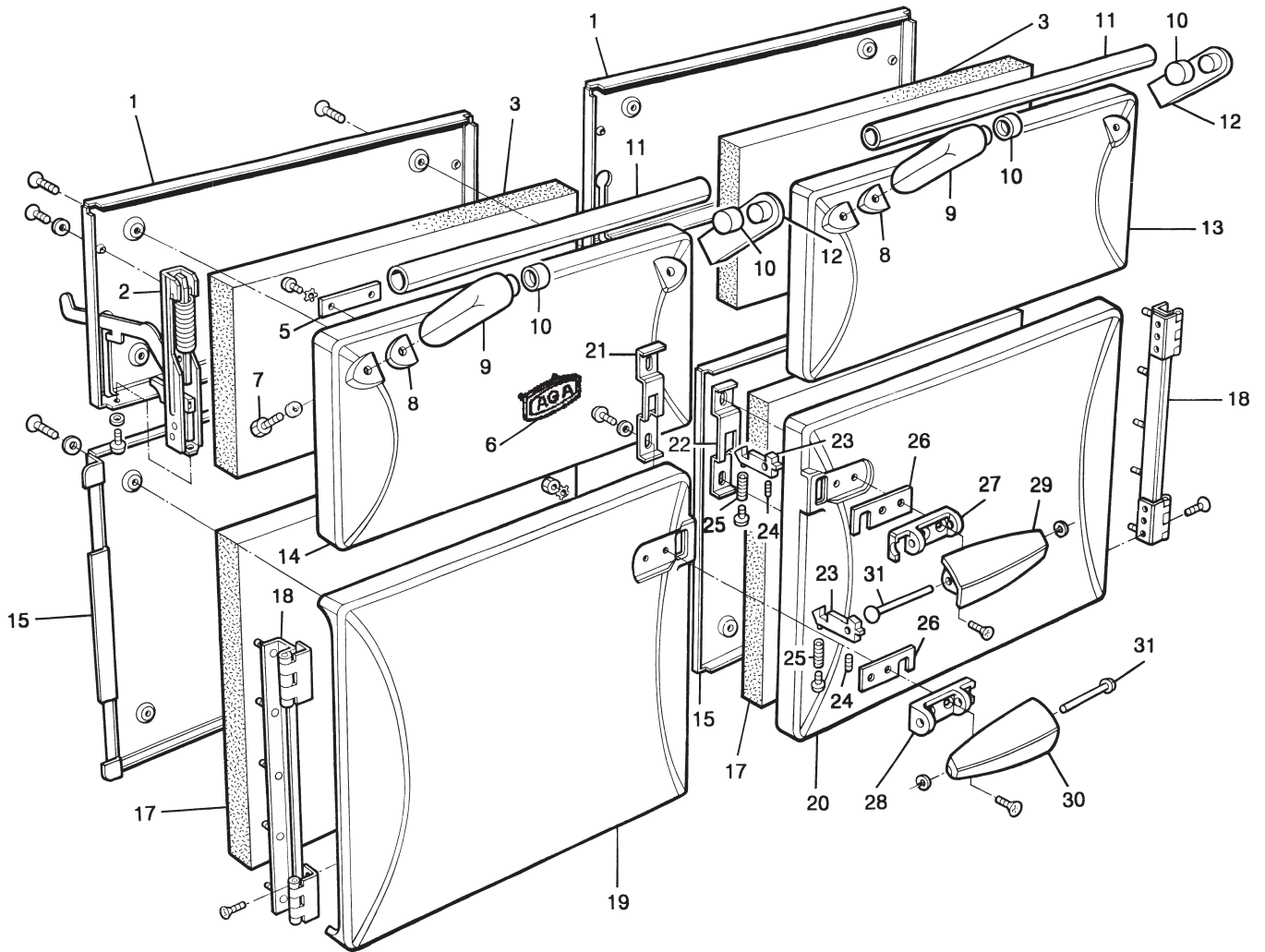


**AGA MASTERCHEF II DELUXE  
ACCESSORIES AND OVEN FURNITURE**

**AGA MASTERCHEF II DELUXE  
ACCESSORIES/FURNITURE**

**DECEMBER 2010**

ITEM No.	CAT No.	DESCRIPTION	PRODUCT CODE
1	M0081	GRILL TRIVET	AE4M260250
2	M0082	GRILL PAN	AE4M260337
3	M0083	FRAME - GRILL PAN SUPPORT	AE4M260338
4	M0242	M5 SCREW CUP (4-OFF)	KWSR500415
5	M0084	HANDLE (2-OFF)	AE4M260114
6	M0117	SCREW M5 x 12mm C'SK SLTD HD	KCSK500483
7	M0085	GRILL SHELF	AE4M260251
8	M0134	OVEN SHELF	AE4M260193
9	A3958	MEAT TIN	AG4M250432



**AGA MASTERCHEF II DELUXE  
TOP AND BOTTOM DOOR ASSEMBLIES**

**AGA MASTERCHEF II DELUXE  
TOP & BOTTOM DOOR ASSEMBLIES**

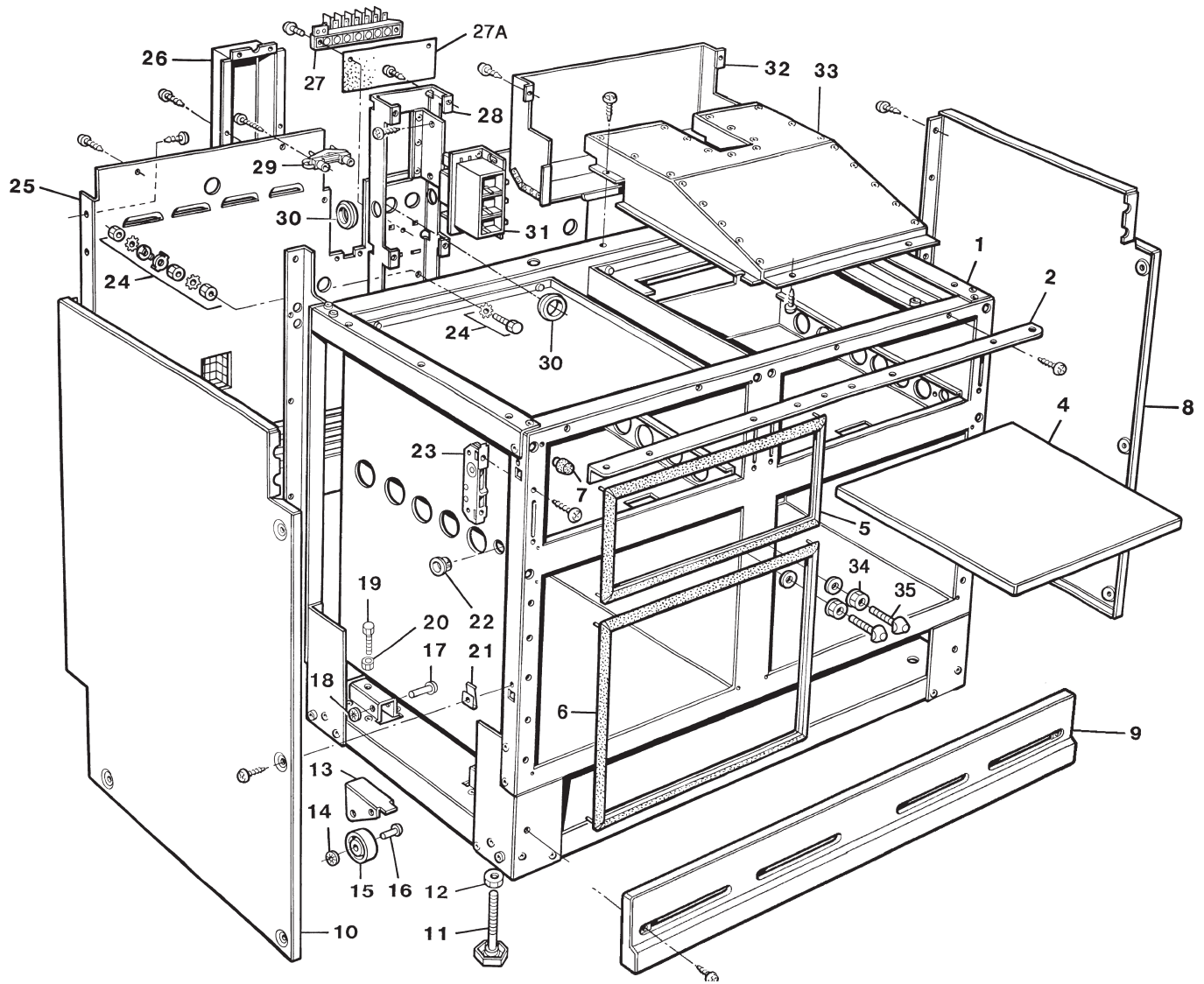
**DECEMBER 2010**

ITEM No.	CAT No.	DESCRIPTION	PRODUCT CODE
1	M0387	UPPER DOOR LINER	AE4M260769
2	M0044	HINGE UPPER DOOR	AE4M260108
3	NCA	INSULATION - UPPER DOOR	JPAD260744
5	NCA	BADGE SPACER	AE2M260846
6	A2274	AGA BADGE	AG4M210184
7	NCA	SCREW M8 x 20	KPAN52523
8	M0465	TOWEL RAIL GASKET	JGSG260784
9	M0418	BRACKET - LH	AE4M260782
10	M0419	TOWEL RAIL BUNG	AE4M260785
11	M0389	TOWEL RAIL	AE4M260783
12	M0417	RH TOWEL BRACKET	AE4M260781
13		TOP RH DOOR PANEL IN FOLLOWING COLOURS:	
	NCA	BLACK	AE4M260768BLK
	NCA	CREAM	AE4M260768CRM
	NCA	CLARET	AE4M260768CLT
		UPPER RH DOOR ASSY IN FOLLOWING COLOURS:	
	M0449BLK	BLACK	AE1M260855BLK
	M0449CRM	CREAM	AE1M260855CRM
	NCA	CLARET	AE1M260855CLT
14		TOP LH DOOR PANEL IN FOLLOWING COLOURS:	
	NCA	BLACK	AE4M260768BLK
	NCA	CREAM	AE4M260768CRM
	NCA	CLARET	AE4M260768CLT
		UPPER LH DOOR ASSY IN FOLLOWING COLOURS:	
	M0449BLK	BLACK	AE1M260855BLK
	M0449CRM	CREAM	AE1M260855CRM
	NCA	CLARET	AE1M260855CLT
15	M0396	LOWER DOOR LINER	AE4M260766
17	NCA	LOWER DOOR INSULATION	AE4M260593
18	M0397	LOWER DOOR HINGE	AE4M260765
		LOWER LH DOOR PANEL IN FOLLOWING COLOURS:	
19	NCA	BLACK	AE4M260767BLK
	NCA	CREAM	AE4M260767CRM
	NCA	CLARET	AE4M260767CLT
		LOWER LH DOOR ASSY IN FOLLOWING COLOURS:	
	M0398BLK	BLACK	AE1M260804BLK
	M0398CRM	CREAM	AE1M260804CRM
	M0398CLT	CLARET	AE1M260804CLT
		LOWER RH DOOR PANEL IN FOLLOWING COLOURS:	
20	NCA	BLACK	AE4M260770BLK
	NCA	CREAM	AE4M260770CRM
	NCA	CLARET	AE4M260770CLT
		LOWER RH DOOR ASSY IN FOLLOWING COLOURS	
	M0401BLK	BLACK	AE1M260805BLK
	M0401CRM	CREAM	AE1M260805CRM
	M0401CLT	CLARET	AE1M260805CLT

**AGA MASTERCHEF II DELUXE  
TOP & BOTTOM DOOR ASSEMBLIES**

**DECEMBER 2010**

ITEM No.	CAT No.	DESCRIPTION	PRODUCT CODE
21	M0404	ADJUSTER LH	AE2M260797
22	M0405	ADJUSTER RH	AE2M260845
23	NCA	DOOR LATCH	AE4M260793
24	R5741	GRUB SCREW	KGRB500588
25	NCA	SPRING	AE4M260796
26	NCA	SPACER	AE4M260790
27	M0481	RH DOOR HANDLE BRACKET	AE4M260792
28	M0480	LH DOOR HANDLE BRACKET	AE4M260791
29	M0472	DOOR HANDLE RH	AE4M260795
30	M0415	DOOR HANDLE LH	AE4M260794
31	M0482	DOOR HANDLE PIN	AE4M260799

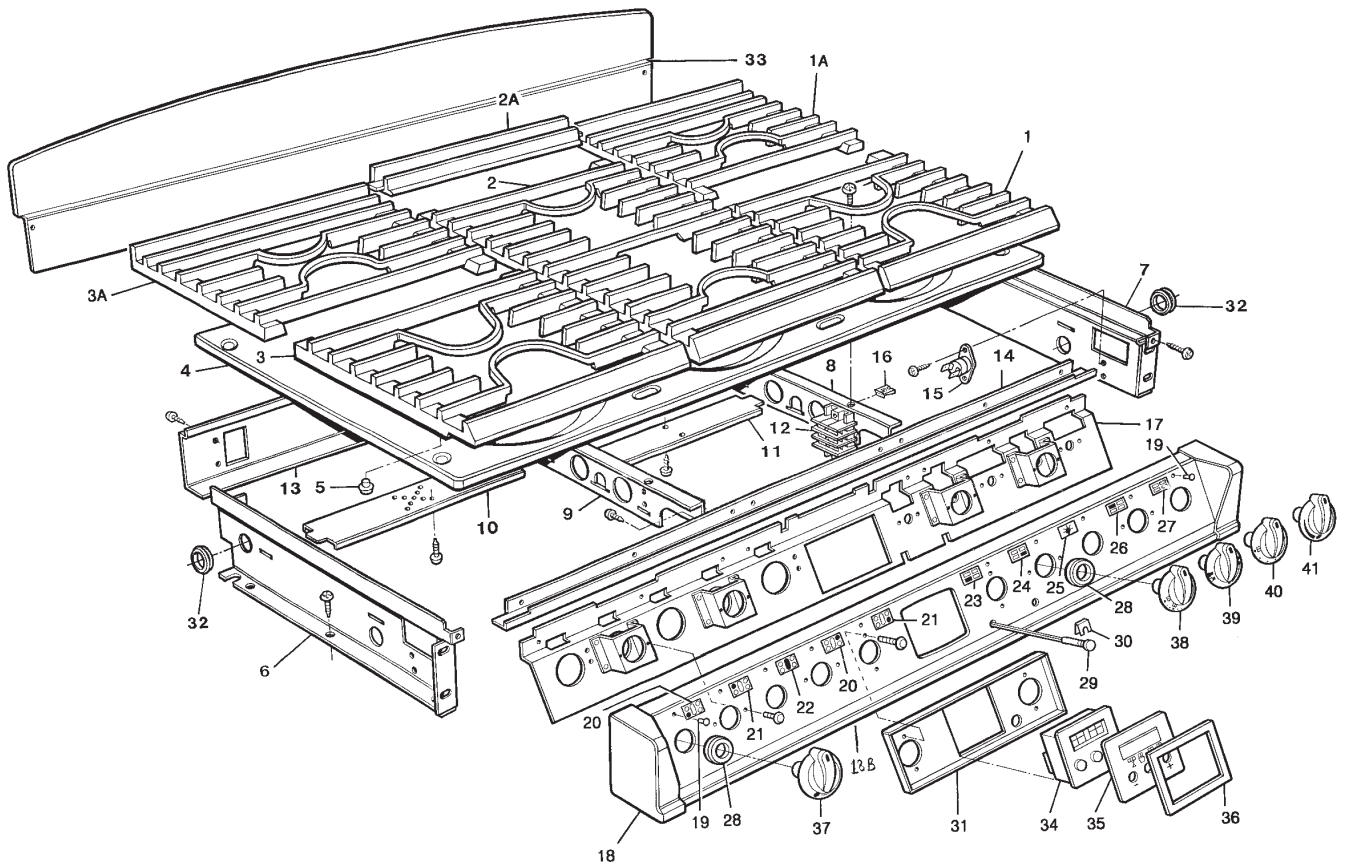


**AGA MASTERCHEF II DELUXE  
CHASSIS FRAME ASSEMBLY**

**AGA MASTERCHEF II DELUXE  
CHASSIS FRAME ASSEMBLY**

**DECEMBER 2010**

<b>ITEM No.</b>	<b>CAT No.</b>	<b>DESCRIPTION</b>	<b>PRODUCT CODE</b>
1	NCA	BASE FRAME ASSEMBLY	NCA
2	NCA	UNDER SUPPORT	AE2M260077
3	NCA	OVEN ROOF INTERNAL	AE2M260021
4	M0173	OVEN TOP - INTERNAL	AE4M260020
5	M0017	OVEN DOOR SEAL - UPPER	AE4M260151
6	M0018	OVEN DOOR SEAL - LOWER	AE4M260150
7	M0035	DOOR BUMP STOP	AE4M260174
8	M0036	SIDE PANEL - RH	AE2V260082
9	M0351	PLINTH (UP TO M07-176)	AE5E260727
9A	M0464	PLINTH (FROM M07-176)	AE4M260913
10	M0038	SIDE PANEL - LH	AE2V260081
11	M0098	FOOT	AE4M260177
12	A2353	M10 - NUT HEX FULL Z/P	KNUT53131
13	M0247	JACKING ARM	AE2M260023
14	M0049	PUSH-ON FIX	AE4M260263
15	M0153	NYLON WHEEL	AE4M260236
16	M0152	PIVOT ROD - SMALL	AE4M260215
17	M0155	PIVOT ROD - LARGE	AE4M260216
18	M0246	JACKING BODY	AE2M260022
19	M0187	HEX HD M8 x 50	KHEX50939
20	R2630	M8 NUT	KNUT53061
21	M0212	'J' NUT No. 8	KNUT500406
22	NCA	GROMMET BUSH	AG4M210726
23	M0039	HINGE COUNTER SUPPORTS	AE4M260213
25	NCA	LH COOKER BACK - UP TO M07-149	AE1M260671
25A	NCA	RH COOKER BACK - UP TO M07-149	AE1M260670
25B	M0471	BACK PANEL ASSEMBLY - FROM M07-149	AE1M260905
26	M0177	BACK PANEL ELECTRIC COVER	AE2M260204
27	A4789	MAINS TERMINAL BLOCK	AG4M250991
27A	NCA	GASKET	AE4M260637
28	NCA	ELECTRIC PANEL	AE2M260629
29	R2190	WIRE CLAMP	RG4M26192
30	A2757	GROMMET	AE4M240132
31	M0372	IGNITION GENERATOR WITH BRACKET	AG9M997472
32	NCA	REAR GRILLE FLUE ASSEMBLY	AE1M260308
33	NCA	GRILL FLUE TRUNKING	AE1M260685



**AGA MASTERCHEF II DELUXE  
 TOP PLATE & HOTPLATE FRAME**



**AGA MASTERCHEF II DELUXE  
TOP PLATE & HOTPLATE FRAME**

**DECEMBER 2010**

<b>ITEM No.</b>	<b>CAT No.</b>	<b>DESCRIPTION</b>	<b>PRODUCT CODE</b>
1	M0416	RH FRONT PAN SUPPORT - PACKED	AG1M260868
1A	M0425	RH REAR PAN SUPPORT - PACKED	AG1M260869
2	M0412	CENTRE PAN SUPPORT - PACKED	AG1M260865
2A	M0476	REAR BAR MIDDLE PAN SUPPORT	AG5E260861
3	M0422	LH FRONT PAN SUPPORT - PACKED	AG1M260866
3A	M0451	LH REAR PAN SUPPORT - PACKED	AG1M260867
4	M0027	SPILLAGE WELL - TOP PLATE	AE4M260158
5	M0407	RUBBER FOOT (INCLUDED WITH ALL PAN SUPPORTS)	AG4M260575
6	M0290	SIDE FRAME - LH	AE2M260049
7	M0291	SIDE FRAME - RH	AE2M260050
8	M0453	TOP PLATE MID-SUPPORT RH	AE2M260060
9	M0452	TOP PLATE MID SUPPORT LH	AE2M260059
10	NCA	BURNER BRACKET SUPPORT	AE2M260069
11	NCA	BURNER BRACKET SUPPORT	AE2M260070
12	A3988	TERMINAL BLOCK 3-WAY	AE4M260105
13	M0248	REAR FRAME	AE2M260052
14	NCA	CONTROL PANEL DRIPTRAY	AE2M260753
15	M0011	THERMAL SWITCH	AE4M260333
16	M0212	J NUT No. 8	KNUT500406
17	NCA	FRONT CONTROL MOUNTING	AE2M260628
	M0423	FACIA PANEL ASSY (INCLS 18, 18A, 18B, 19, 20, 21, 22, 23, 24, 25, 26, 27)	AE9M997572
18	M0366	FACIA RH END	AE5E260693
18A	M0356	FACIA LH END	AE5E260695
18B	M0353	FACIA PANEL	AE4M260683
19	M0368	OFF INDICATOR	AE4M260718
20	NCA	HOB LH IND BADGE	AE4M260656
21	NCA	HOB RH IND BADGE	AE4M260657
22	NCA	HOB CENTRE INDICATOR BADGE	AE4M260658
23	M0496	OVEN FAN LH INDICATOR BADGE	AE4M260664
24	M0497	OVEN FAN RH INDICATOR	AE4M260665
25	NCA	LIGHT INDICATOR BADGE	AE4M260663
26	NCA	OVEN UPPER INDICATOR BADGE	AE4M260661
27	NCA	GRILL INDICATOR BADGE	AE4M260662
28	NCA	GROMMET	NCA
29	M0032	NEON C/W CLIP	AE4M260211
30		SEE ITEM 29	
31	M0436	FIXING FRAME TIMER	AE2M260654
32	NCA	GROMMET	NCA
33	M0350	SPLASHBACK ASSY	AE4M260668
34	M0421	TIMER KIT INCLS 34A, 35 & 36	AG9M997616
34A	A4512	TIMER C/W BUTTONS	AG4M250897
35	M0347	TIMER GLASS	AE4M260653
36	M0373	TIMER GLASS GASKET	JGSG260719
37	M0354	CONTROL KNOB - HOB	AE4M260645
38	M0384	CONTROL KNOB - FAN OVEN	AE4M260649
39	M0386	CONTROL KNOB - LIGHT	AE4M260648
40	M0383	CONTROL KNOB - UPPER OVEN	AE4M260647
41	M0385	CONTROL KNOB - GRILL	AE4M260646