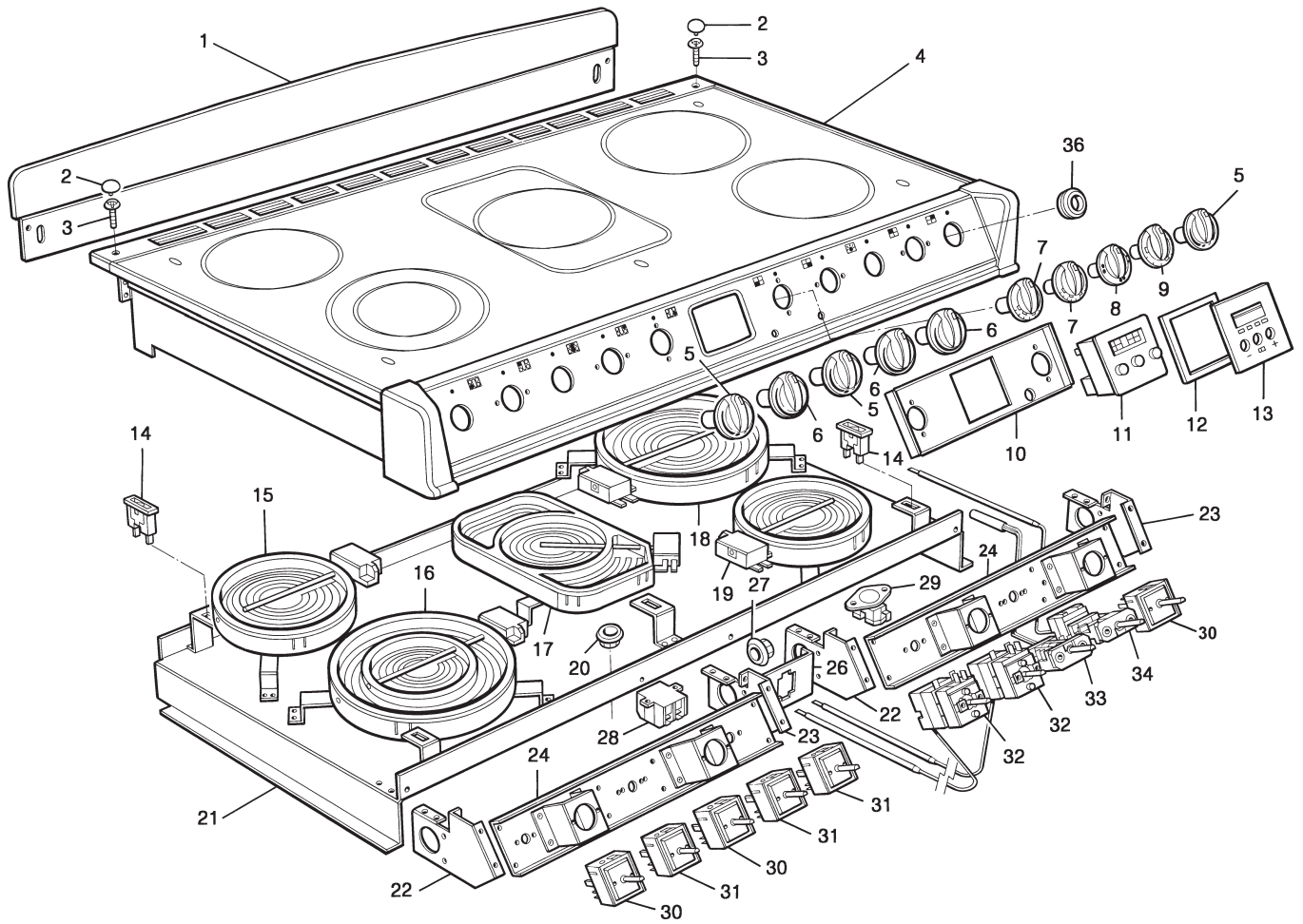


**MASTERCHEF II
DELUXE
CERAMIC HOB**

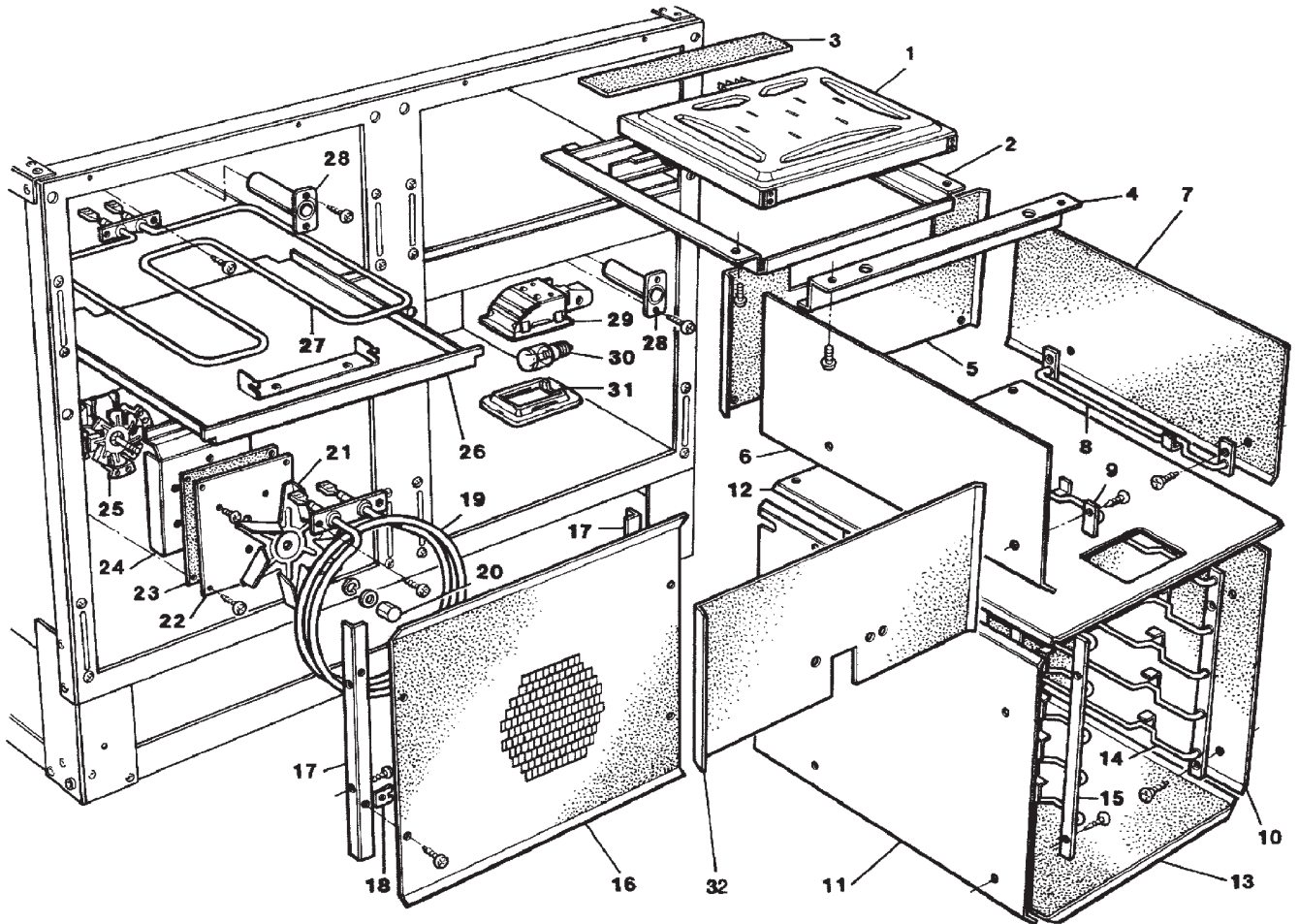
***SPARE PARTS
MANUAL***



**AGA MASTERCHEF II DELUXE CERAMIC HOB
HOB CHASSIS ASSEMBLY**

**AGA MASTERCHEF II DELUXE CERAMIC HOB DECEMBER 2010
HOB CHASSIS ASSEMBLY**

ITEM No.	CAT No.	DESCRIPTION	PRODUCT CODE
1	M0350	SPLASHBACK ASSY	AE4M260668
2	M0432	BLACK CHROME COVER HEAD	KMIS500598
3	M0433	M5 x 16 PAN HD	KPAN500602
4	M0434	GLASS FRAME ASSEMBLY	AE1M260824
5	M0385	CONTROL KNOB - GRILL	AE4M260646
6	M0435	SINGLE HOB ELEMENT CONTROL KNOB	AE4M260807
7	M0384	CONTROL KNOB - FAN OVEN	AE4M260649
8	M0386	CONTROL KNOB LIGHT	AE4M260648
9	M0383	CONTROL KNOB - UPPER OVEN	AE4M260647
10	M0436	TIMER BRACKET	AE2M260654
11	M0421	TIMER KIT INCLS 11A, 12 & 13	AG9M997616
11A	A4512	TIMER C/W BUTTONS	AG4M250897
12	M0373	TIMER GLASS GASKET	JGSG260719
13	M0347	TIMER GLASS	AE4M260653
14	M0437	HOB NEON	AE4M260877
15	M0442	BASE TRAY ASSEMBLY (INCLUDES ITEMS 15A, 16, 17, 18, 21, 22, 23, 24 & 26)	AE4M260821
15A	A4570	1.2 KW HEATING ELEMENT	AE4M998978
16	M0438	1.7 KW HEATING ELEMENT DUAL	AE4M260850
17	M0439	2.0 KW HEATING ELEMENT DUAL ANGEL	AE4M260848
18	M0440	1.8 KW HEATING ELEMENT	AE4M260849
20	M0441	GROMMET	AE4M260901
21	NCA	BASE TRAY	AE2M260813
22	NCA	CONTROL MOUNTING PANEL BRKT - LH	AE2M260814
23	NCA	CONTROL MOUNTING PANEL BRKT - RH	AE2M260815
24	NCA	CONTROL MOUNTING PANEL	AE2M260820
26	NCA	MOUNTING PLATE	AE2M260830
27	M0443	GROMMET HEYCO 4002166	AE4M260900
28	M0446	HEYCO PA 80 TERMINAL BLOCK ASSY	AE4M260897
29	M0011	THERMAL SWITCH	AE4M260333
30	M0444	DUAL REGULATOR	AE4M260871
31	M0445	SINGLE REGULATOR	AE4M260872
32	M0296	FAN OVEN THERMOSTAT	AE4T260608
33	M0342	ROTARY SWITCH	AE4M260610
34	A4913	WARMING OVEN STAT KIT	AE9M997175
36	M0448	GROMMET	AG4M260698



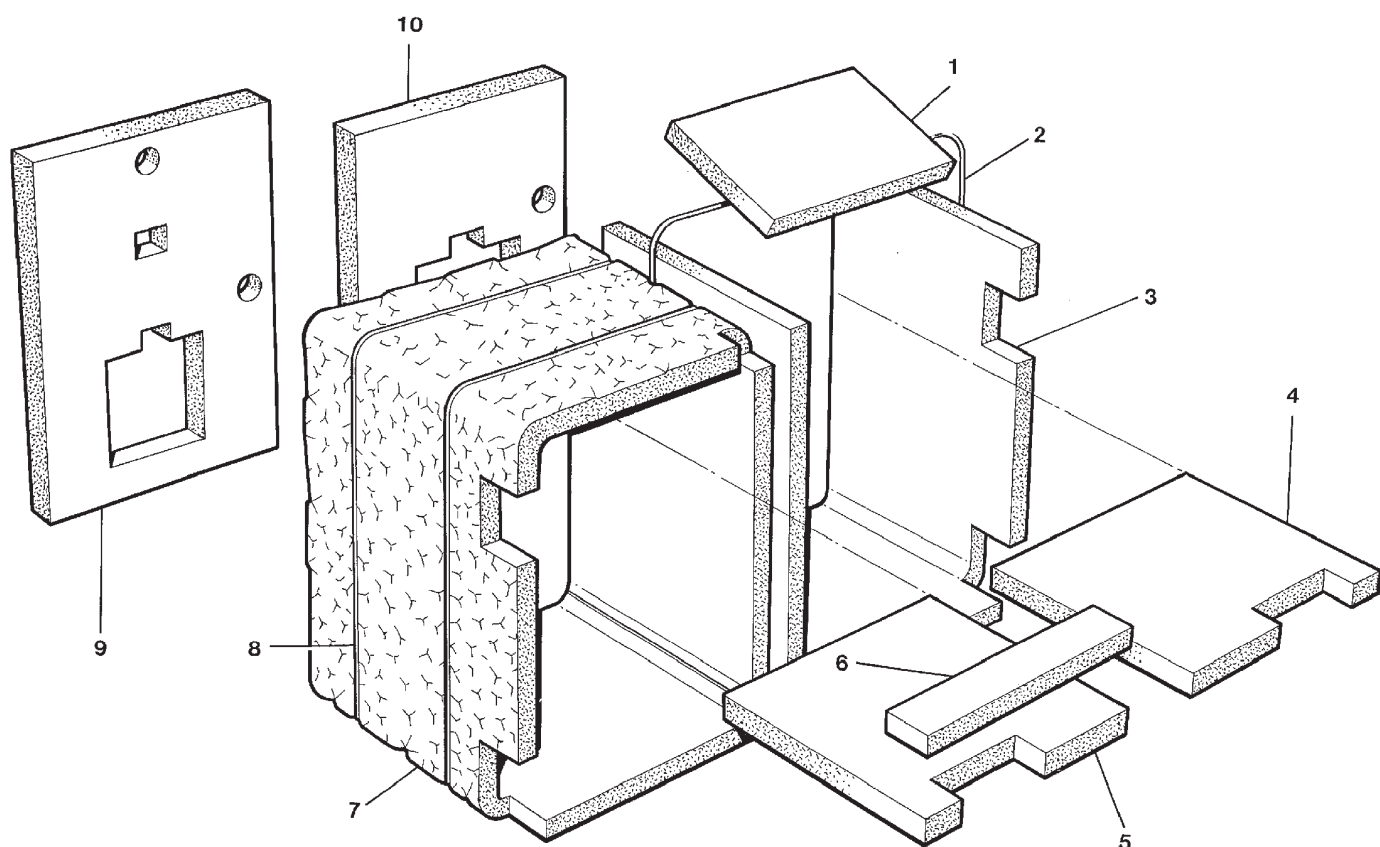
**MASTERCHEF II DELUXE CERAMIC HOB
 MAIN OVEN ELECTRICAL WRAP ELEC. GRILL ASSEMBLIES**

MASTERCHEF II DELUXE CERAMIC HOB

DECEMBER 2010

MAIN OVEN ELECTRICAL WRAP ELEC. GRILL ASSEMBLIES

ITEM No.	CAT No.	DESCRIPTION	PRODUCT CODE
1	M0033	GRILL ASSY - ELECTRIC (UP TO M09-046)	AE4M260103
1A	NCA	GRILL ASSY (FROM M09-046)	AE4M260947
1B	M0490	GRILL ASSY RETRO KIT (PRE M09-046)	AE9M997832
2	M0119	GRILL ROOF LINING ASSY	AE1M260323
3	M0410	INSULATION - REAR	JPAD260266
4	M0175	PELMET	AE4M260141
5	M0120	GRILL LINER REAR	AE4M260303
6	M0121	GRILL SIDE LINER - LH	AE4M260123
7	M0122	GRILL SIDE LINER - RH	AE4M260124
8	M0123	OVEN RAIL UPPER - RH	AE4M260197
9	M0124	OVEN RAIL UPPER - LH	AE4M260196
10	M0125	OVEN LINING - RH	AE4M260071
11	M0118	OVEN LINING - LH	AE4M260072
12	M0126	OVEN LINER ROOF	AE4M260073
13	M0127	OVEN LINER FLOOR	AE4M260243
14	M0147	OVEN RAIL - LOWER OVEN RH	AE4M260413
15	M0146	OVEN RAIL - LOWER OVEN LH	AE4M260412
16	M0128	FAN PANEL	AE4M260038
17	M0183	FAN PANEL - BRACKET	AE2M260033
18	M0212	'J' NUT No. 8	KNUT500406
19	M0015	ELEMENT LOWER OVEN	AE4M260155
	M0034	OVEN FAN ASSY (INCL ITEMS 20 TO 25)	AE1M260312
20		NUT IMPELLOR	
21	NCA	IMPELLOR -152 MM (FROM M07-142)	AE4M260909
22	A5038	FAN MOUNTING PLATE	AE4M240017
23	A3093	GASKET - FAN	JGSG240142
24	A3094	FAN SHIELD FABRICATION	AE2M240119
25	NCA	OVEN FAN (UP TO M07-142)	AE4M260212
25A	NCA	OVEN FAN (FROM M07-142)	AE4M260908
25B	M0424	CIRCULATION FAN ASSY (PRE M07-142)	AE9M997604
26	M0173	OVEN FLOOR TOP	AE4M260020
27	M0016	WARMING OVEN ELEMENT	AE4M260156
28	NCA	VENT PIPE	AE4M260191
	NCA	VENT PIPE LHS - SIMMERING OVEN	AE4M260492
	M0097	OVEN LAMP & BULB (COMPRISES 29, 30 & 31)	AE4M260144
29		LAMP UPPER	
30		BULB	
31		LAMP LENS	
32	M0145	LINING OVEN REAR - UPPER WARMING OVEN	AE4M260489

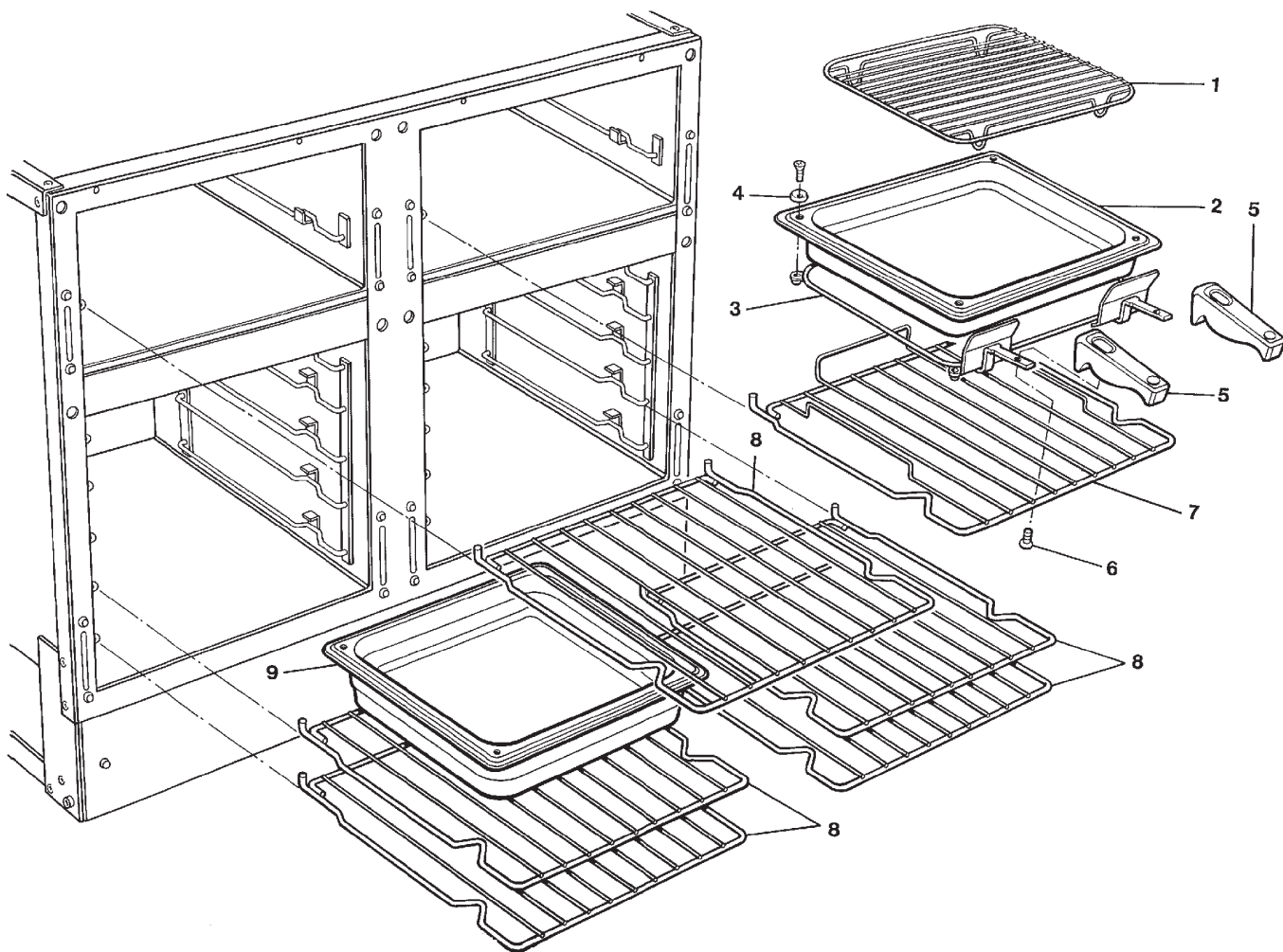


**MASTERCHEF II DELUXE CERAMIC HOB
INSULATION**

**MASTERCHEF II DELUXE CERAMIC HOB
INSULATION**

DECEMBER 2010

ITEM No.	CAT No.	DESCRIPTION	PRODUCT CODE
1	M0367	INSULATION - GRILL TRUNKING	JPAD260300
2	A3096	WIRE 20 SWG (REEL)	AE4M240145
3	M0426	INSULATION - OVEN/GRILL WRAP	JPAD260274
4	M0428	INSULATION - GRILL/SIMMERING OVEN - RH	JPAD260276
5	M0428	INSULATION - GRILL/SIMMERING OVEN - LH	JPAD260276
6	M0431	INSULATION - WARMING OVEN	JPAD260302
7	M0427	INSULATION - ELEC. OVEN WRAP	JPAD260275
8	A3096	WIRE 20SWG (REEL)	AE4M240145
9	M0430	INSULATION - ELEC. OVEN REAR	JPAD260280
10	M0429	INSULATION - ELEC. GRILL REAR	JPAD260279

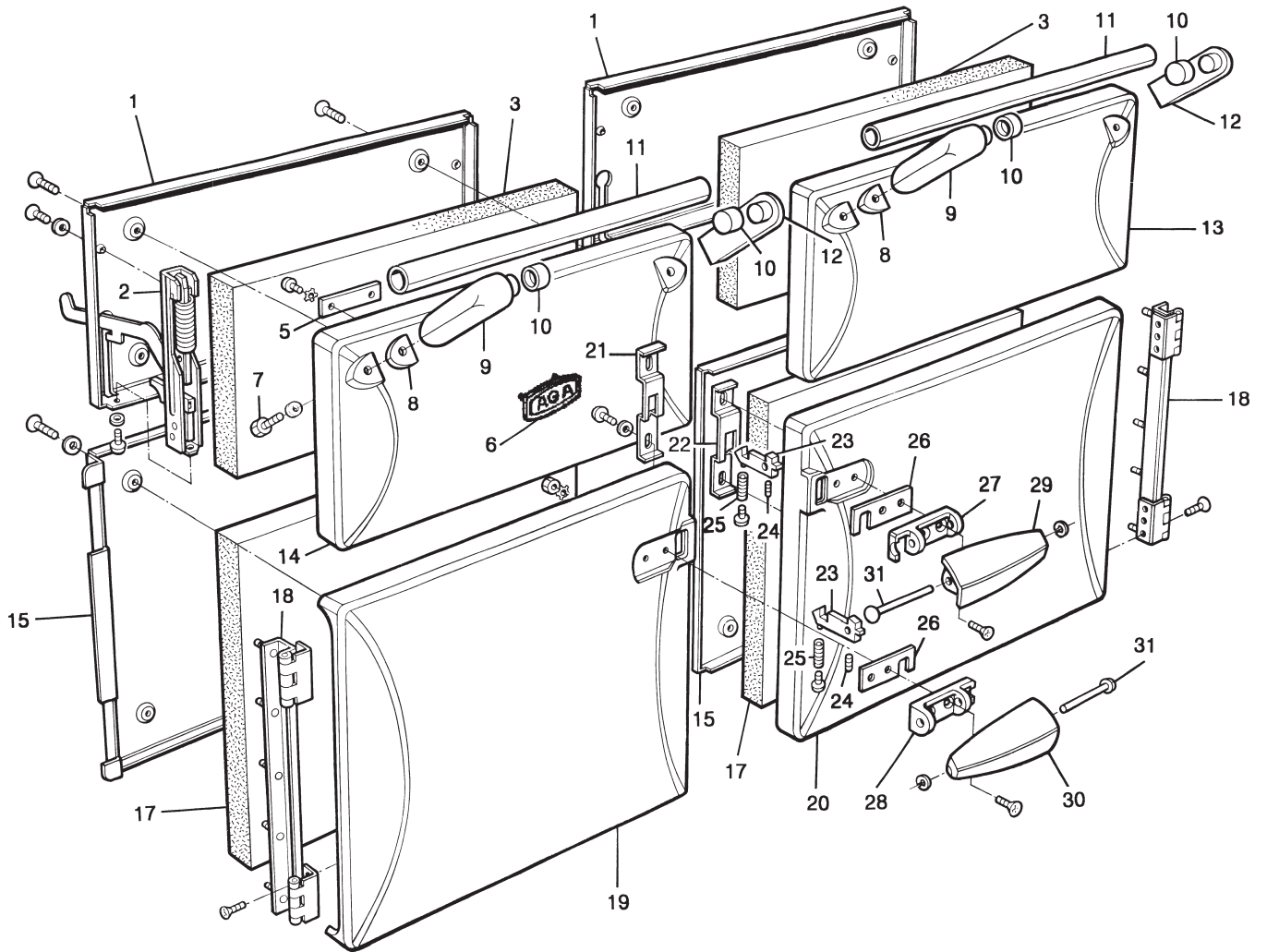


**MASTERCHEF II DELUXE CERAMIC HOB
ACCESSORIES AND OVEN FURNITURE**

**MASTERCHEF II DELUXE CERAMIC HOB
ACCESSORIES/FURNITURE**

DECEMBER 2010

ITEM No.	CAT No.	DESCRIPTION	PRODUCT CODE
1	M0081	GRILL TRIVET	AE4M260250
2	M0082	GRILL PAN	AE4M260337
3	M0083	FRAME - GRILL PAN SUPPORT	AE4M260338
4	M0242	M5 SCREW CUP (4-OFF)	KWSR500415
5	M0084	HANDLE (2-OFF)	AE4M260114
6	M0117	SCREW M5 x 12 C'SK SLTD	KCSK500483
7	M0085	GRILL SHELF	AE4M260251
8	M0134	OVEN SHELF	AE4M260193
9	M3958	MEAT TIN	AG4M250432



AGA MASTERCHEF II DELUXE CERAMIC HOB TOP AND BOTTOM DOOR ASSEMBLIES

**AGA MASTERCHEF II DELUXE CERAMIC HOB
TOP & BOTTOM DOOR ASSEMBLIES**

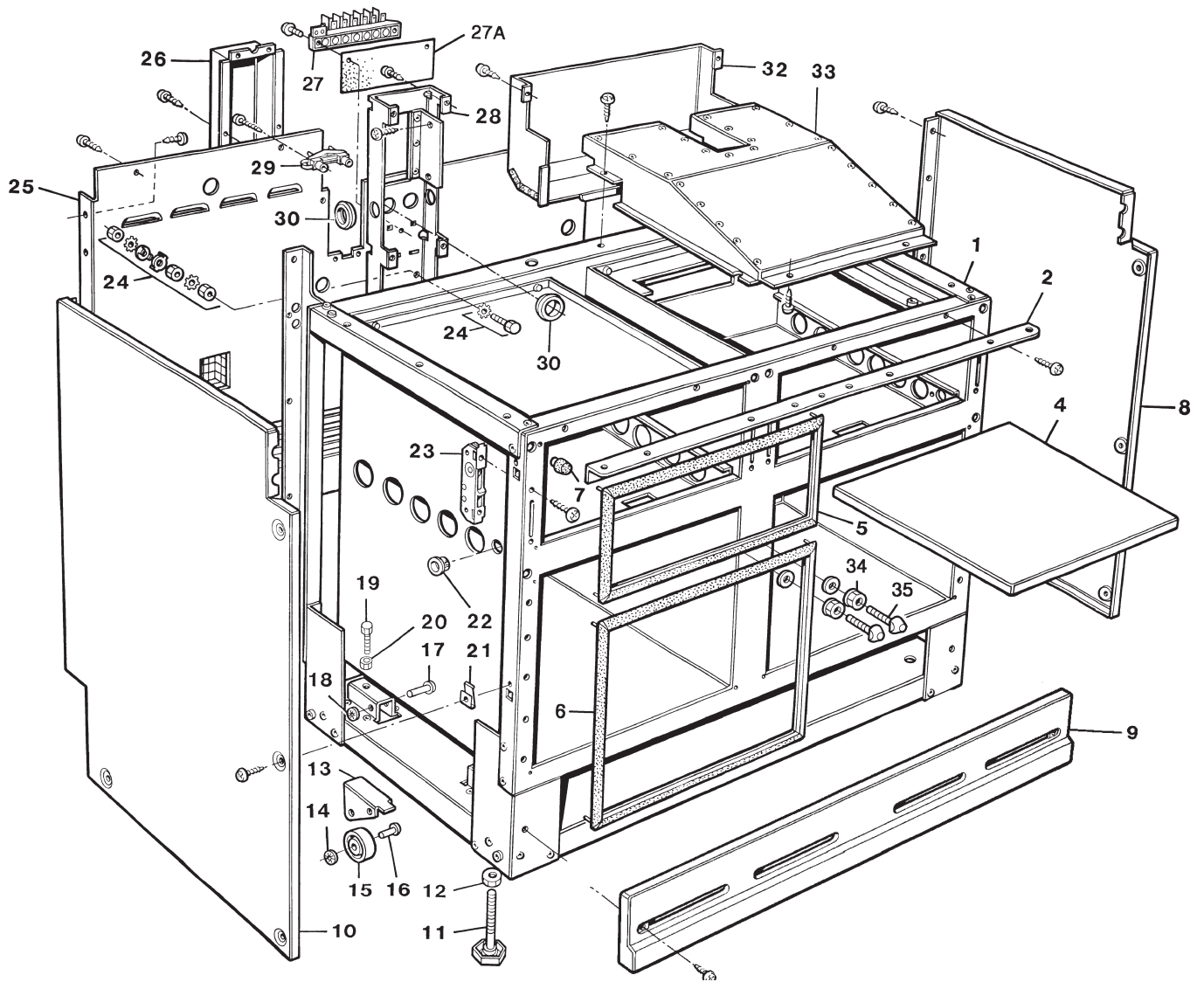
DECEMBER 2010

ITEM No.	CAT No.	DESCRIPTION	PRODUCT CODE
1	M0387	UPPER DOOR LINER	AE4M260769
2	M0044	HINGE UPPER DOOR	AE4M260108
3	NCA	INSULATION - UPPER DOOR	JPAD260744
5	NCA	BADGE SPACER	AE2M260846
6	A2274	AGA BADGE	AG4M210184
7	NCA	SCREW M8 x 20	KPAN52523
8	M0465	TOWEL RAIL GASKET	JGSG260784
9	M0418	BRACKET - LH	AE4M260782
10	M0419	TOWEL RAIL BUNG	AE4M260785
11	M0389	TOWEL RAIL	AE4M260783
12	M0417	RH TOWEL BRACKET	AE4M260781
13		TOP DOOR RH PANEL IN FOLLOWING COLOURS	
	NCA	BLACK	AE4M260768BLK
	NCA	CREAM	AE4M260768CRM
	NCA	CLARET	AE4M260768CLT
		UPPER RH DOOR ASSY IN FOLLOWING COLOURS:	
	M0449BLK	BLACK	AE1M260855BLK
	M0449CRM	CREAM	AE1M260855CRM
	NCA	CLARET	AE1M260855CLT
14		TOP LH DOOR PANEL IN FOLLOWING COLOURS:	
	NCA	BLACK	AE4M260768BLK
	NCA	CREAM	AE4M260768CRM
	NCA	CLARET	AE4M260768CLT
		UPPER LH DOOR ASSY IN FOLLOWING COLOURS	
	M0449BLK	BLACK	AE1M260855BLK
	M0449CRM	CREAM	AE1M260855CRM
	NCA	CLARET	AE1M260855CLT
15	M0396	LOWER DOOR LINER	AE4M260766
17	NCA	LOWER DOOR INSULATION	AE4M260593
18	M0397	LOWER DOOR HINGE	AE4M260765
19		LOWER LH DOOR PANEL IN FOLLOWING COLOURS:	
	NCA	BLACK	AE4M260767BLK
	NCA	CREAM	AE4M260767CRM
	NCA	CLARET	AE4M260767CLT
		LOWER LH DOOR ASSY IN FOLLOWING COLOURS:	
	M0398BLK	BLACK	AE4M260804BLK
	M0398CRM	CREAM	AE4M260804CRM
	M0398CLT	CLARET	AE4M260804CLT
20		LOWER RH DOOR PANEL IN FOLLOWING COLOURS:	
	NCA	BLACK	AE4M260770BLK
	NCA	CREAM	AE4M260770CRM
	NCA	CLARET	AE4M260770CLT

**AGA MASTERCHEF II DELUXE CERAMIC HOB
TOP & BOTTOM DOOR ASSEMBLIES**

DECEMBER 2010

ITEM No.	CAT No.	DESCRIPTION	PRODUCT CODE
	M0401BLK M0401CRM M0401CLT	LOWER RH DOOR ASSY IN FOLLOWING COLOURS: BLACK CREAM CLARET	AE1M260805BLK AE1M260805CRM AE1M260805CLT
21	M0404	ADJUSTER LH	AE2M260797
22	M0405	ADJUSTER RH	AE2M260845
23	NCA	DOOR LATCH	AE4M260793
24	R5741	GRUB SCREW	KGRB500588
25	NCA	SPRING	AE4M260796
26	NCA	SPACER	AE4M260790
27	M0481	RH DOOR HANDLE BRACKET	AE4M260792
28	M0480	LH DOOR HANDLE BRACKET	AE4M260791
29	M0472	DOOR HANDLE RH	AE4M260795
30	M0415	DOOR HANDLE LH	AE4M260794
31	M0482	DOOR HANDLE PIN	AE4M260799



**AGA MASTERCHEF II DELUXE CERAMIC HOB
CHASSIS FRAME ASSEMBLY**

**AGA MASTERCHEF II DELUXE CERAMIC HOB
CHASSIS FRAME ASSEMBLY**

DECEMBER 2010

ITEM No.	CAT No.	DESCRIPTION	PRODUCT CODE
1	NCA	BASE FRAME ASSEMBLY	
2	NCA	UNDER SUPPORT	AE2M260077
3	NCA	OVEN ROOF INTERNAL	AE2M260021
4	NCA	OVEN TOP - INTERNAL	AE2M260020
5	M0017	OVEN DOOR SEAL - UPPER	AE4M260151
6	M0018	OVEN DOOR SEAL - LOWER	AE4M260150
7	M0035	DOOR BUMP STOP	AE4M260174
8	M0036	SIDE PANEL - RH	AE2V260082
9	M0351	PLINTH (UP TO M07-176)	AE5E260727
9A	M0464	PLINTH (FROM M07-176)	AE4M260913
10	M0038	SIDE PANEL - LH	AE2V260081
11	M0098	FOOT	AE4M260177
12	A2353	M10 - NUT HEX FULL Z/P	KNUT53131
13	M0247	JACKING ARM	AE2M260023
14	M0049	PUSH-ON FIX	AE4M260263
15	M0153	NYLON WHEEL	AE4M260236
16	M0152	PIVOT ROD - SMALL	AE4M260215
17	M0155	PIVOT ROD - LARGE	AE4M260216
18	M0246	JACKING BODY	AE2M260022
19	M0187	HEX HD M8 x 50	KHEX50939
20	R2630	M8 NUT	KNUT53061
21	M0212	'J' NUT No. 8	KNUT500406
22	NCA	GROMMET BUSH	AG4M210726
23	M0039	HINGE COUNTER SUPPORTS	AE4M260213
25	NCA	LH COOKER BACK - UP TO M07-149	AE1M260671
25A	NCA	RH COOKER BACK - UP TO M07-149	AE1M260670
25B	M0471	BACK PANEL ASSEMBLY - FROM M07-149	AE1M260905
26	M0177	BACK PANEL ELECTRIC COVER	AE2M260204
27	A4789	MAINS TERMINAL BLOCK	AG4M250991
27A	NCA	GASKET	AE4M260637
28	NCA	ELECTRIC PANEL	AE2M260629
29	R2190	WIRE CLAMP	RG4M26192
30	A2757	GROMMET RB3461	AE4M240132
32	NCA	REAR GRILLE FLUE ASSEMBLY	AE1M260308
33	NCA	TRUNKING ASSY	AE1M260685