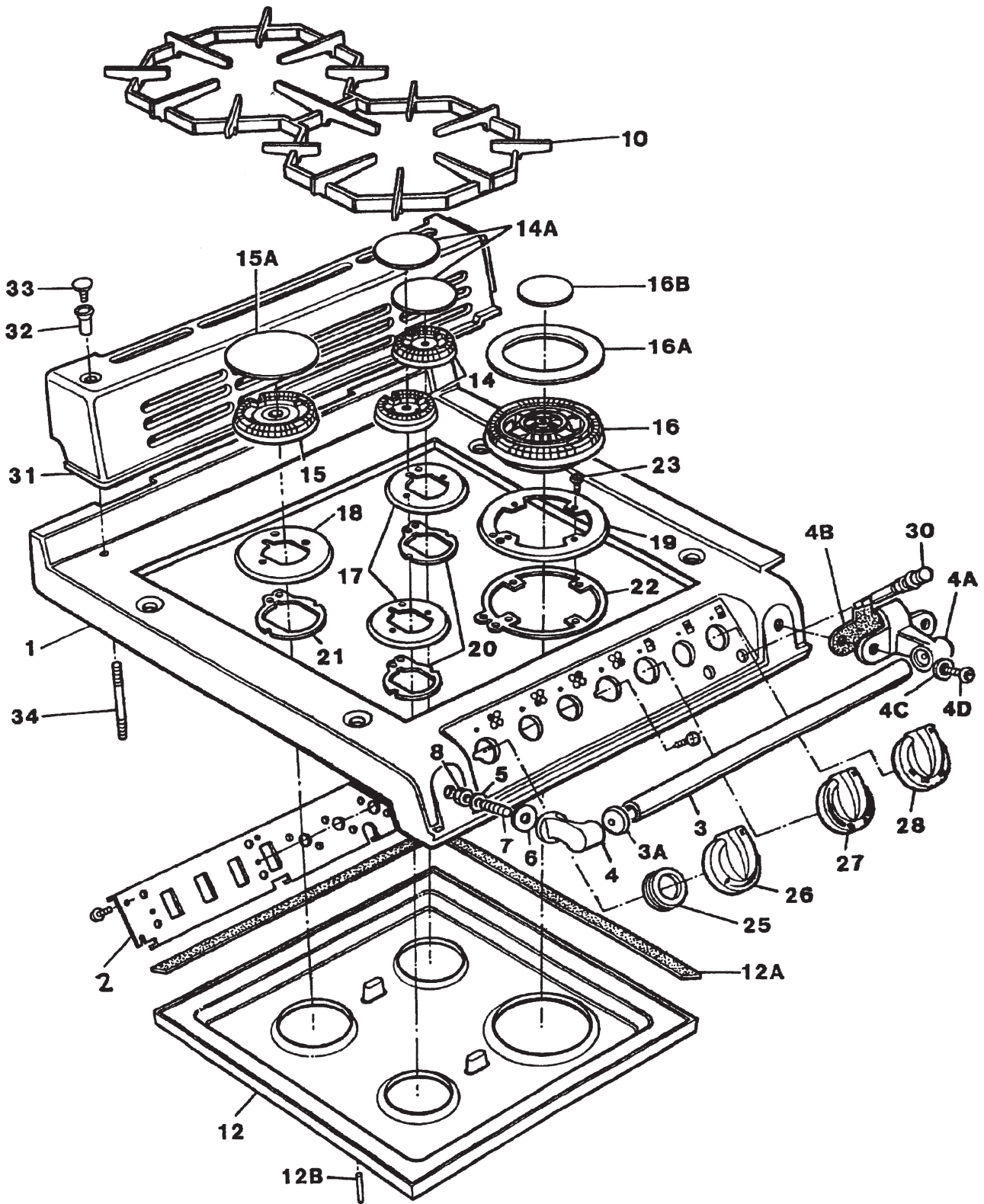


**AGA ELECTRIC
MODULE
WITH GAS HOB
(FFD'S)**

***SPARE PARTS
MANUAL***

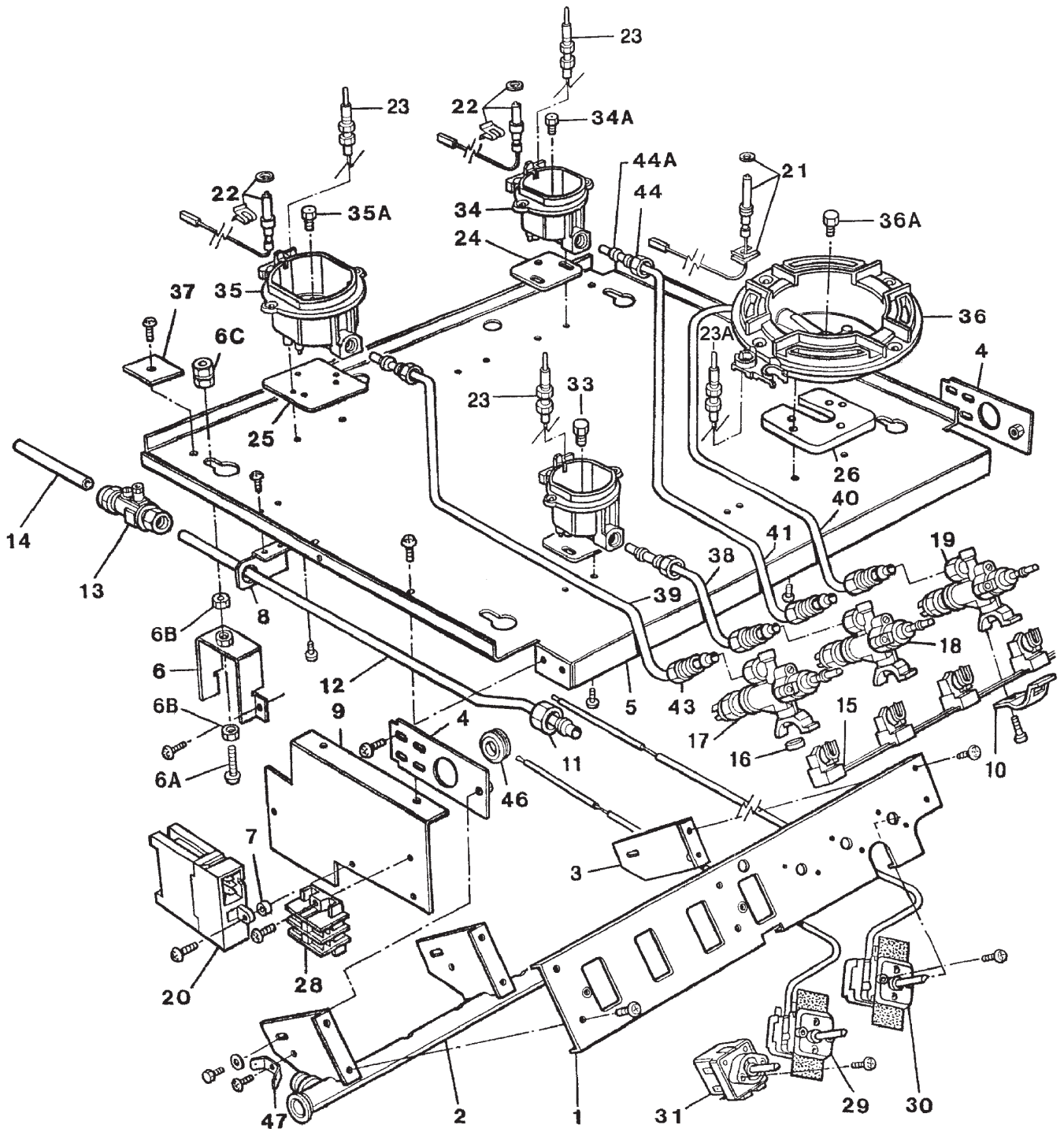


TOP PLATE & HOTPLATE PARTS
 AGA ELECTRIC MODULE WITH GAS HOB (FFD'S)

**AGA ELECTRIC MODULE WITH GAS HOB (FFD'S)
TOP PLATE AND HOTPLATE PARTS**

DECEMBER 2010

| ITEM No. | CAT No. | DESCRIPTION | PRODUCT CODE |
|-----------------|----------------|---------------------------------------|---------------------|
| 1 | A3238 | TOP PLATE (NO SHROUD) | AG5E250094 |
| | A3239 | TOP PLATE (TO ACCEPT SHROUD) | AG5E250137 |
| 2 | A5024 | FACIA PANEL | AG2M251160 |
| 3 | A2642 | HANDRAIL | AE4M240076 |
| 3A | A2975 | VINYL END CAP | AG4M210660 |
| 4 | A2314 | BRACKET HANDLE | AG4M210853 |
| 4A | NCA | JOINTING BRACKET | AG4M210854 |
| 4B | A2532 | GASKET JOINTING BRACKET | JGSG210523 |
| 4C | A3044 | JOINTING BRACKET WASHER | JWSR210469 |
| 4D | A3109 | M8 x 25 LG FLANGE BUTTON HD SKT SCREW | KMIS500305 |
| 5 | A3664 | WASHER M8 SHAKEPROOF | KWSR53346 |
| 6 | A1472 | FIBRE WASHER | JWSR313206 |
| 7 | A4192 | ALLTHREAD M8 x 35 | KSTD500010 |
| 8 | R2630 | NUT M8 | KNUT53061 |
| 10 | A3188 | PAN SUPPORT | AG5E250024 |
| 12 | A3189 | HOTPLATE | AG5E250012 |
| 12A | A3190 | HOTPLATE GASKET (x4) | JGSG250083 |
| 12B | A3191 | SPIROL PIN \varnothing 6 x 30 | KCTR500380 |
| 14 | A3192 | BURNER RING 1.75kW | AG4M250123 |
| 14A | A3193 | BURNER CAP 1.75kW VE | AG4M250124 |
| 15 | A3194 | BURNER RING 2.5/3.0kW | AG4M250125 |
| 15A | A3195 | BURNER CAP 3.0kW VE | AG4M250126 |
| 16 | A3196 | BURNER RING 3.5kW | AG4M250127 |
| 16A | A3197 | BURNER CAP 3.5kW VE | AG4M250128 |
| 16B | A3198 | BURNER INNER CAP 3.5kW VE | AG4M250129 |
| 17 | A4817 | BURNER SKIRT DISC 1.75kW | AG4M251043 |
| 18 | A4520 | BURNER SKIRT DISC 3.0kW | AG4M251044 |
| 19 | A4818 | BURNER SKIRT DISC 3.5kW | AG4M251104 |
| 20 | A4819 | BURNER GASKET 1.75kW | AG4M251007 |
| 21 | A4820 | BURNER GASKET 3.0kW | AG4M251008 |
| 22 | A4821 | BURNER GASKET 3.5kW | AG4M251046 |
| 23 | NCA | SCREW M3 x 8 C'SNK HEAD M/C ST/ST | KCSK500365 |
| 25 | A4904 | GROMMET - REEVITE PV862 | AG4M250978 |
| 26 | A4670 | KNOB - GAS BURNERS | AG4M251129 |
| 27 | A4671 | KNOB - GRILL | AG4M251130 |
| 28 | A4672 | KNOB - OVENS | AG4M251131 |
| 30 | A3045 | NEON | AE4M240092 |
| 31 | A2641 | SHROUD | AE5E240098 |
| 32 | NCA | NUT CONTROL STAY | AG4M210227 |
| 33 | A2123 | BUTTON | AG4M210244 |
| 34 | A1102 | SUPPORT BRACKET STAY ROD SHORT | AE4M44115 |
| 35 | A1915 | ROPE - THERM NO 2.5 DIA 0.72M LG | JTHR20393X40 |



CHASSIS PARTS
 AGA ELECTRIC MODULE WITH GAS HOB (FFD'S)

**AGA ELECTRIC MODULE WITH GAS HOB (FFD'S)
CHASSIS PARTS**

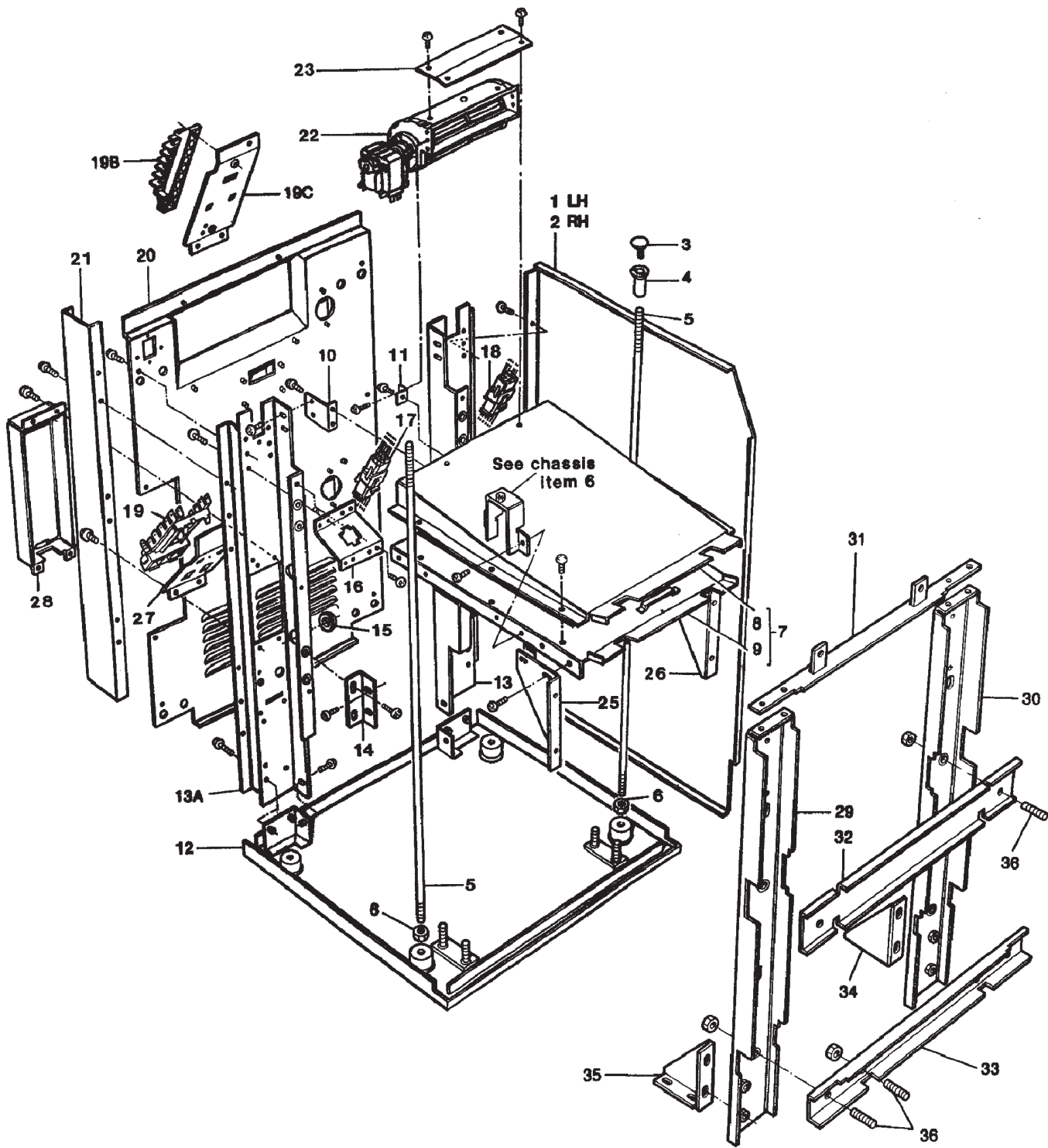
DECEMBER 2010

| ITEM No. | CAT No. | DESCRIPTION | PRODUCT CODE |
|-----------------|----------------|--|---------------------|
| 1 | A5317 | CONTROL MOUNTING PLATE | AG2M251161 |
| 2 | A5527 | GAS RAIL | AG4M251105 |
| 3 | A5398 | SUPPORT BRACKET | AG2M250049 |
| 4 | NCA | END SUPPORT BRACKET | AG2M250051 |
| 5 | NCA | BURNER MOUNTING PANEL | AG2M250194 |
| 6 | A5447 | HOTPLATE SUPPORT BRACKET | AG2M250053 |
| 6A | NCA | SCREW M8 x 45 POZI PAN | KPAN500371 |
| 6B | C1552 | M6 NUT | KNUT53051 |
| 6C | NCA | SPECIAL NUT | AG4M250064 |
| 7 | NCA | SPACER | AG4M250200 |
| 8 | NCA | GAS TUBE BRACKET | AG2M250275 |
| 9 | NCA | IGNITION GENERATOR CARRIER | AG2M250195 |
| 10 | NCA | BRACKET | AG4M251012 |
| 11 | NCA | PART OF GAS RAIL | |
| 12 | NCA | MAIN INLET GAS TUBE MODULE | AG4M251097 |
| 13 | A3240 | GAS VALVE 15 x 10mm C/W PT NIPPLE | AG4M250118 |
| 14 | NCA | GAS CONNECTION TUBE | AG4M250160 |
| 15 | A4679 | 4 MICRO SWITCH HARNESS | AG4M250943 |
| 16 | | TAP SEAL - PART OF GAS VALVE | |
| 17 | A4715 | GAS VALVE - 3.0 kW (0.33) NG | AG4M251100 |
| | A4717 | GAS VALVE - 3.0 kW LPG | AG1M251178 |
| 18 | A4714 | GAS VALVE - 1.75 kW (0.27) NG | AG4M251099 |
| | A4716 | GAS VALVE - 1.75 kW LPG | AG1M251177 |
| 19 | A4713 | GAS VALVE - 3.5 kW (0.65) NG | AG4M251098 |
| | A4718 | GAS VALVE - 3.5 kW LPG | AG1M251179 |
| 20 | A3212 | IGNITION GENERATOR (UP TO M07-158) | AG4M250021 |
| 20A | A4664 | IGNITION GENERATOR (FROM M07-158) | AG4M251074 |
| | A5233 | RETRO SPARK GENERATOR KIT | AE9M997573 |
| 21 | A3213 | IGNITION ELECTRODE & WIRE 3.5(UP TO M07-158) | AG4M250027 |
| 21A | M0076 | IGNITION ELECTRODE & WIRE 3.5(FROM M07-158) | AE4M260350 |
| 22 | A3214 | IGNITION ELECTRODE & WIRE(UP TO M07-158) | AG4M250029 |
| 22A | A4662 | ELECTRODE & LEAD 600M | AG4M251064 |
| 23 | A4525 | THERMOCOUPLE | AG4M250912 |
| 23A | A4741 | THERMOCOUPLE - 3.5 kW | AG4M251006 |
| 24 | A4346 | SPACER - 1.75 kW | AG4M250032 |
| 25 | A3976 | SPACER - 3.0 kW | AG4M250033 |
| 26 | A4319 | SPACER - 3.5 kW | AG4M250068 |
| 28 | A4241 | 2-WAY TERMINAL BLOCK | AG4M250075 |
| 29 | A3223 | REGULATOR TOP OVEN (UP TO M05-180) | AG4T250111 |
| 29A | A5349 | TOP OVEN T'STAT KIT (FROM M08-085) | AG1M997730 |
| 30 | NCA | REGULATOR BOTTOM OVEN (UP TO M05-180) | AG4T250112 |
| 30A | A4923 | REGULATOR BOTTOM OVEN (FROM M05-180) | AG4T251256 |
| 31 | NCA | REGULATOR - GRILL (UP TO M05-180) | AG4M250110 |
| 31A | A4960 | REGULATOR - GRILL (FROM M05-180) | AG4M251258 |
| 33 | A3228 | LPG INJECTOR FOR 1.75 kW (065) | AG4M250119 |
| 34 | A3495 | S/RAPID BURNER CUP (1.75 kW) | AG1M998525 |
| 34A | A3227 | NG INJECTOR FOR 1.75 kW (097) | AG4M998433 |
| 35 | A3496 | RAPID BURNER CUP (3.0 kW) | AG1M998526 |
| 35A | A3234 | INJECTOR FOR 3.0 kW (116) - NG | AG4M998434 |
| | A3231 | INJECTOR FOR 3.0 kW (85) - LPG | AG4M250120 |
| 36 | A3497 | WOK BURNER BODY (3.5 kW) | AG1M998527 |
| 36A | A3230 | INJECTOR FOR 3.5 kW (130) - NG | AG4M998435 |
| | A3233 | INJECTOR FOR 3.5 kW (95) - LPG | AG4M250121 |
| 37 | A5372 | STOP PLATE | AG2M250145 |
| 38 | A5370 | LH FRONT 1.75 kW GAS TUBE | AG4M251094 |
| 39 | NCA | LH REAR 3.0 kW GAS TUBE | AG4M251093 |
| 40 | NCA | RH FRONT 3.5 kW GAS TUBE | AG4M251095 |

**AGA ELECTRIC MODULE WITH GAS HOB (FFD'S)
CHASSIS PARTS**

DECEMBER 2010

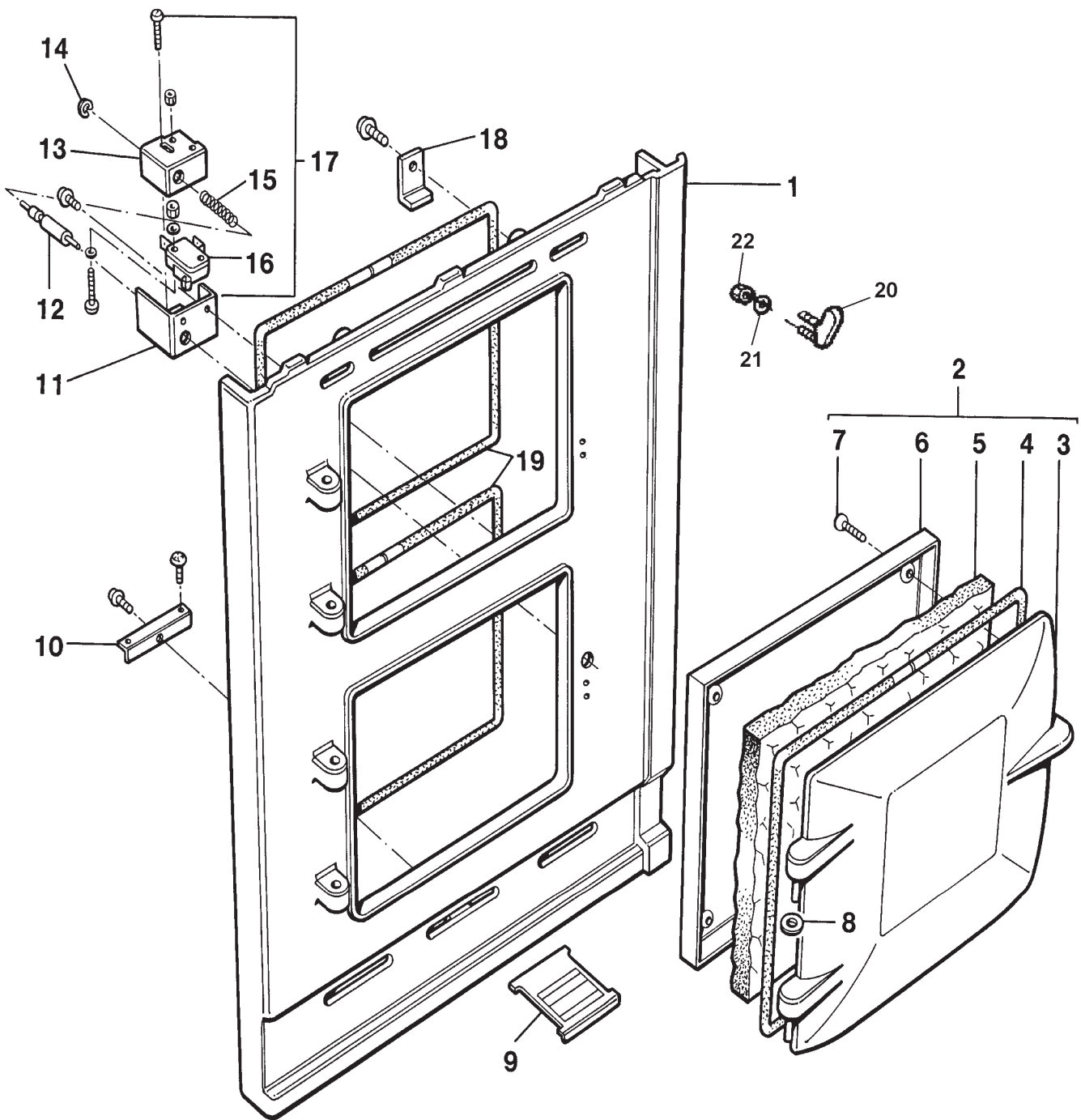
| ITEM No. | CAT No. | DESCRIPTION | PRODUCT CODE |
|----------|---------|--------------------------|--------------|
| 41 | NCA | RH REAR 1.75 kW GAS TUBE | AG4M251092 |
| 43 | M0115 | TUBE NUT (SABAF) 0784 | AG4M250135 |
| 44 | | TUBE NUT (SABAF) 0784 | AG4M250135 |
| 44A | M0116 | OLIVE (SABAF) | AG4M250136 |
| 46 | A2757 | GROMMET - REEVITE | AE4M240132 |
| 47 | NCA | EARTH TAB CONNECTOR | AG4M250082 |



BASE, BACK PLATE & COOLING DUCT ASSEMBLY
AGA ELECTRIC MODULE WITH GAS HOB (FFD'S)

**AGA ELECTRIC MODULE WITH GAS HOB (FFD'S) DECEMBER 2010
BASE, BACK PLATE & COOLING DUCT ASSEMBLY**

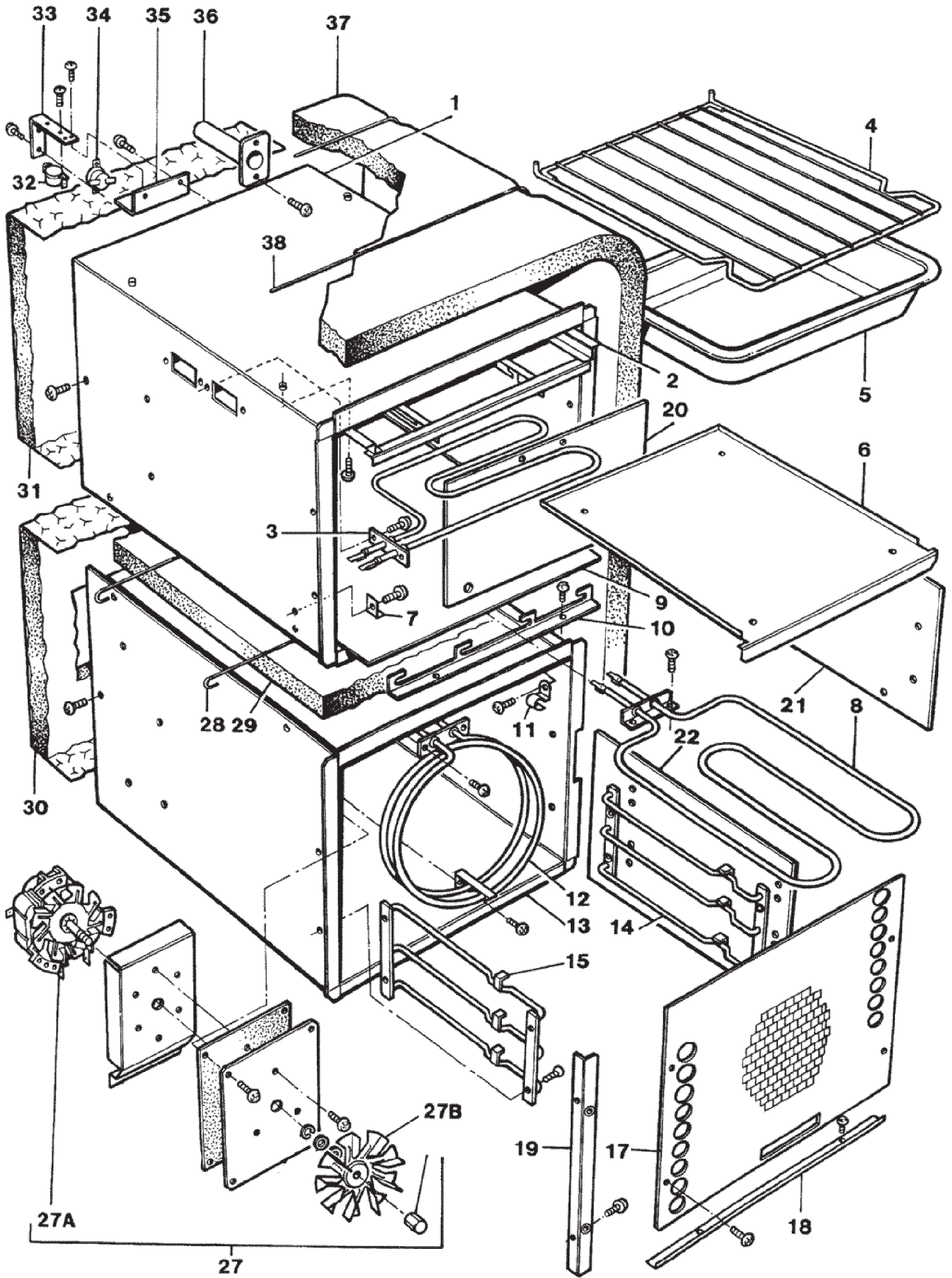
| ITEM No. | CAT No. | DESCRIPTION | PRODUCT CODE |
|-----------------|----------------|--|---------------------|
| 1 | A2985 | SIDE PLATE LH | AE2V240105 |
| 2 | A2984 | SIDE PLATE RH | AE2V240106 |
| 3 | A2119 | BUTTON CORNER STAY | AG4M210228 |
| 4 | A2123 | NUT - CORNER STAY | AG4M210244 |
| 5 | A2118 | STAY ROD | AG4M210226 |
| 6 | A3069 | LOCKNUT 5/16 BSW | KNUT53065 |
| 7 | A3635 | FAN DUCT ASSEMBLY | AG1M250141 |
| 8 | A3071 | FAN DUCT TOP ASSEMBLY | AE1M240122 |
| 9 | A3072 | DUCT BOTTOM | AE2M240111 |
| 10 | A3073 | BRACKET - REAR DUCT | AE2M240118 |
| 11 | A3074 | BRACKET - FAN FIXING | AE2M240143 |
| 12 | A3075 | BASE PLATE ASSEMBLY | AE2V240067 |
| 13 | NCA | REAR STRUT - RH | AG2M250193 |
| 13A | A5597 | REAR STRUT - LH | AG2M250182 |
| 14 | A3077 | SUPPORT BRACKET - OVEN | AE2M240123 |
| 15 | A2757 | GROMMET - RB3461 | AE4M240132 |
| 16 | A3078 | BRACKET - WIRING SOCKET | AE2M240113 |
| 17 | A3051 | LH 9-WAY PLUG | AE4M240117 |
| 18 | A3051 | RH 9-WAY PLUG | AE4M240117 |
| 19 | M0158 | MAINS TERMINAL BLOCK (FROM M01-168A) | AG4M250613 |
| | A3931 | MAINS TERMINAL BLOCK KIT (INCLS 19 & 27) | AG9M998725 |
| 19B | A4789 | MAINS TERMINAL | AG4M250991 |
| 19C | NCA | TERMINAL BLOCK MOUNTING BRKT | AG2M250988 |
| 20 | A4355 | BACK PLATE ASSEMBLY | AG1M250274 |
| 21 | A3080 | REAR EXTENSION | AE2V240115 |
| 22 | A3081 | COOLING FAN | AE4M240008 |
| 23 | A3082 | BRACKET - FAN | AE2M240114 |
| 25 | NCA | STABILISING BRACKET - LH | AG2M250056 |
| 26 | NCA | STABILISING BRACKET - RH | AG2M250057 |
| 27 | NCA | TERMINAL BLOCK MOUNTING PLATE (UP TO NP04-002) | AG2M250180 |
| 28 | A3921 | TERMINAL BLOCK COVER | AG2M250181 |
| 29 | NCA | FRONT LH STRUT | AG2M250256 |
| 30 | NCA | FRONT RH STRUT | AG2M250257 |
| 31 | NCA | TOP CROSS MEMBER ASSY | AG1M250258 |
| 32 | NCA | CENTRE CROSS MEMBER | AG2M250262 |
| 33 | NCA | BOTTOM CROSS MEMBER | AG2M250265 |
| 34 | NCA | FRONT RH STRUT | AG2M250257 |
| 35 | NCA | FRONT LH STRUT | AG2M250256 |
| 36 | A3924 | ALLTHREAD M6 x 32 | KSTD52750 |



FRONT PLATE & DOOR ASSEMBLY
 AGA ELECTRIC MODULE WITH GAS HOB (FFD'S)

**AGA ELECTRIC MODULE WITH GAS HOB (FFD'S) DECEMBER 2010
FRONT PLATE & DOOR ASSEMBLY**

| ITEM No. | CAT No. | DESCRIPTION | PRODUCT CODE |
|-----------------|----------------|--|---------------------|
| 1 | A4443 | FRONT PLATE - FROM M02-081 | AE5E240249 |
| | A3657 | FRONT C/W DOORS | AE9M230434 |
| 2 | A2700 | DOOR ASSEMBLY - TOP OVEN | AE9M240057 |
| 2A | A4304 | DOOR ASSY - BOTTOM OVEN | AE9M240203 |
| 3 | A1711 | DOOR - TOP OVEN | AS9E1-9285G |
| 3A | A1712 | BOTTOM OVEN DOOR | AS9E1-9285H |
| 4 | A4340 | TOP DOOR ASSY SEAL - THERMOSEAL No. 4 x 1000 LG (BLACK) - FROM M01-080 UP TO M07-091 | AE1M230399 |
| | A3954 | BOTTOM DOOR ASSY SEAL - THERMOSEAL No. 4 x 1185 LG (BLACK) - FROM M07-091 USED ON TOP DOOR | AE1M230400 |
| 5 | R1080 | INSULATION | MRWF210639 |
| 6 | A3527 | LINER - UP TO M06-179 | AE2M240083 |
| 6A | A5100 | LINER - FROM M06-179 | AE2M240435 |
| 7 | A3056 | SCREWS M6 x 20 LONG C'SK HEAD | KCSK500267 |
| 8 | A1950 | WASHER 8 x 16 x 1mm THICK | KWSR53500 |
| 9 | | | |
| 9A | A3057 | SLIDING PLATE C/W BRACKET | RG9V301145 |
| 10 | A3058 | ANGLE CARRIER | AE2M240147 |
| 11 | A3059 | SUPPORT BRACKET DOOR SWITCH | AE2V240080 |
| 12 | A3060 | PIN | AE4M240021 |
| 13 | A3526 | BRACKET | AE2M240081 |
| 14 | A3062 | CIRCLIP | KCLP500303 |
| 15 | A3063 | SPRING | AE4M240085 |
| 16 | A3064 | MICROSWITCH | AE4M240084 |
| 17 | A3114 | DOOR SWITCH ASSEMBLY | AE1M240056 |
| 18 | A3065 | CLAMP - OVEN FITTING | AE2M240082 |
| 19 | A3066 | ROPE SEAL 8 DIA | JTHR240144 |
| 20 | A3956 | DOOR CATCH | AG4M250478 |
| 21 | A4706 | DOOR CATCH GASKET | JGSG211270 |
| 22 | A4707 | LOCKNUT M5 | KNUT500485 |



TOP & BOTTOM OVEN ASSEMBLIES
 AGA ELECTRIC MODULE WITH GAS HOB (FFD'S)

**AGA ELECTRIC MODULE WITH GAS HOB (FFD'S) DECEMBER 2010
TOP AND BOTTOM OVEN ASSEMBLIES**

| ITEM No. | CAT No. | DESCRIPTION | PRODUCT CODE |
|-----------------|----------------|---|---------------------|
| 1 | A5148 | TOP OVEN ASSEMBLY | AE4M240184 |
| 2 | A3067 | GRILL FRAME ASSY | AE1M240031 |
| 3 | A3068 | ELEMENT - GRILL | AE4M240054 |
| 4 | A2973 | GRID SHELF | AE4M240065 |
| 5 | A3285 | ROASTING TIN | EMTY530218 |
| 6 | NCA | GRILL TRAY - UP TO M06-179 | AE4M240032 |
| 6A | A5101 | GRILL TRAY - FROM M06-179 | AE4M240428 |
| 7 | A3084 | RETAINING CLIP | AE2M240079 |
| 8 | A3043 | ELEMENT - TOP OVEN | AE4M240042 |
| 9 | A3085 | BASE PANEL | AE4M240039 |
| 10 | A3086 | SUPPORT - OVEN ELEMENT | AE2M240125 |
| | A5355 | SUPPORT - TRAY ELEMENT ASSY | AG9M251319 |
| 11 | A3087 | PHIAL CLIP | AE4M240058 |
| 12 | A3088 | ELEMENT - BOTTOM OVEN | AE4M240053 |
| 13 | NCA | BOTTOM OVEN ASSEMBLY | AE4M240185 |
| 14 | A3089 | SHELF SUPPORT RH | AE4M240075 |
| 15 | A2974 | SHELF SUPPORT LH | AE4M240074 |
| 16 | | | |
| 17 | A4011 | BAFFLE PLATE | AE4M240178 |
| 18 | A3091 | BRACKET - BOTTOM OVEN | AE2M240078 |
| 19 | A3092 | BRACKET - BOTTOM OVEN | AE2M240020 |
| 20 | A3016 | TOP OVEN REAR LINING | AE4M240179 |
| 21 | A3017 | TOP OVEN INNER SIDE LININGS | AE4M240176 |
| 22 | A3018 | BOTTOM OVEN INNER SIDE LININGS | AE4M240177 |
| 23 | | | |
| 24 | | | |
| 25 | A3093 | GASKET - FAN | JGSG240142 |
| 26 | A3094 | FAN SHIELD | AE2M240119 |
| 27 | A3095 | FAN AND IMPELLOR ASSEMBLY (UP TO M07-142) | AE4M240093 |
| 27 | NCA | MOTOR (PART OF 27) | AE4M240155 |
| 27 | NCA | IMPELLOR (PART OF 27) | AE4M240156 |
| 27 | NCA | NUT - IMPELLOR (PART OF 27) | AE4M240157 |
| 27 | NCA | WASHER (PART OF 27) | AE4M240158 |
| 27 | NCA | CIRCLIP (PART OF 27) | AE4M240159 |
| 27A | NCA | OVEN FAN (FROM M07-142) | AE4M260908 |
| 27B | A5332 | IMPELLOR 120MM (FROM M07-142) | AG4M251303 |
| 27C | M0424 | CIRCULATION FAN ASSY (PRE M07-142) | AE9M997604 |
| 28 | A3096 | WIRE 650 LG | AE4M240145 |
| 29 | A5927 | INSULATION - PLAIN | JPAD240037 |
| 30 | A3097 | INSULATION - BOTTOM OVEN | JPAD240051 |
| 31 | A3098 | INSULATION - TOP OVEN | JPAD240050 |
| 32 | A3042 | CUT-IN SWITCH | AE4M240131 |
| 33 | A3099 | CARRIER BRACKET - FAN CUT/IN | AE2M240135 |
| 34 | R3246 | CUT-OUT | RO4T340645 |
| 35 | A3528 | BRACKET - FAN CUT OUT/IN | AE2M240134 |
| 36 | A3100 | VENT PIPE | AE4M240090 |
| 37 | A3101 | MAIN WRAP INSULATION | JPAD240052 |
| 38 | A3096 | WIRE 2.3 M LONG | AE4M240145 |