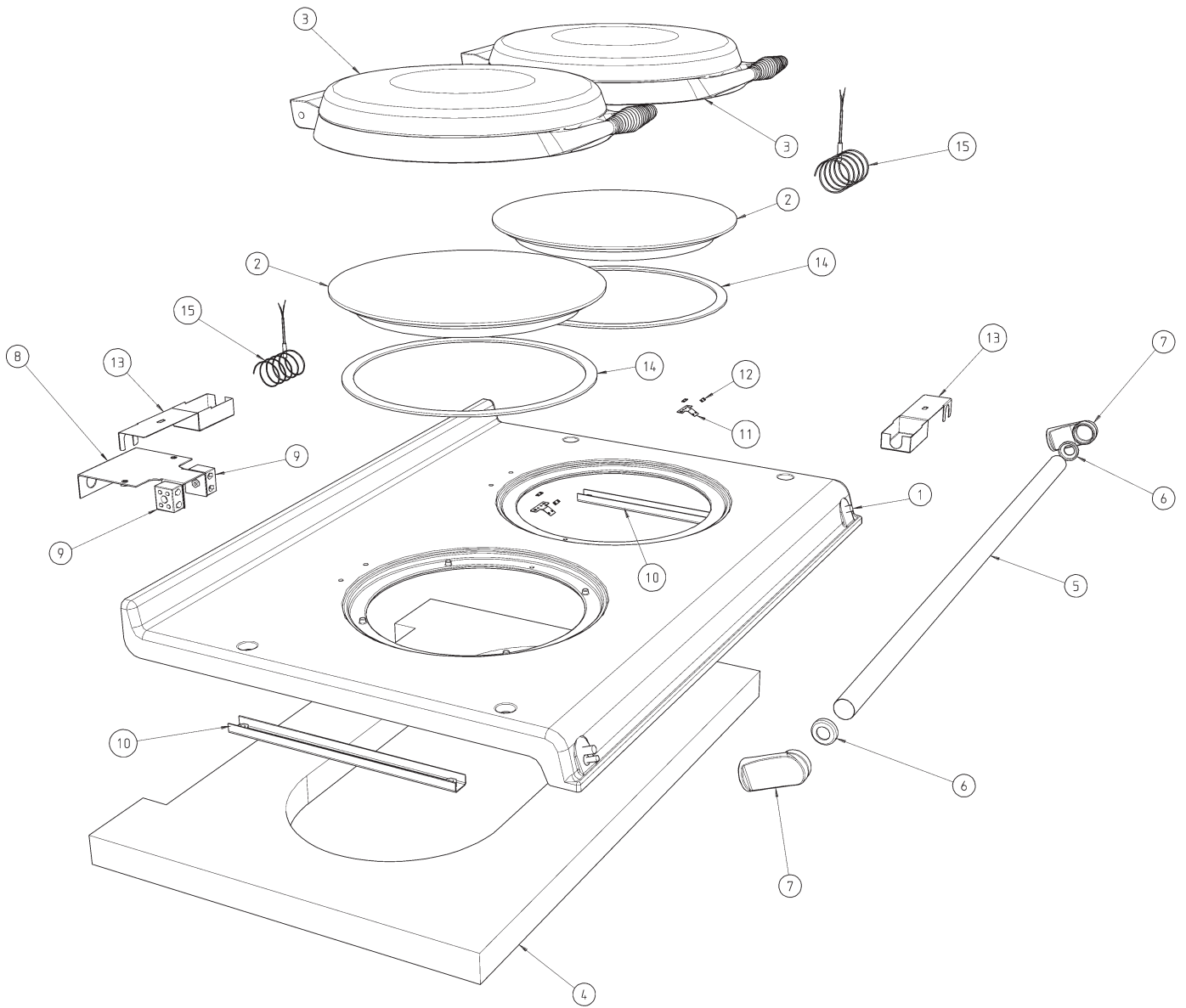


**AGA TOTAL
CONTROL
(MODEL No.: TC3)**

***SPARE PARTS
MANUAL***

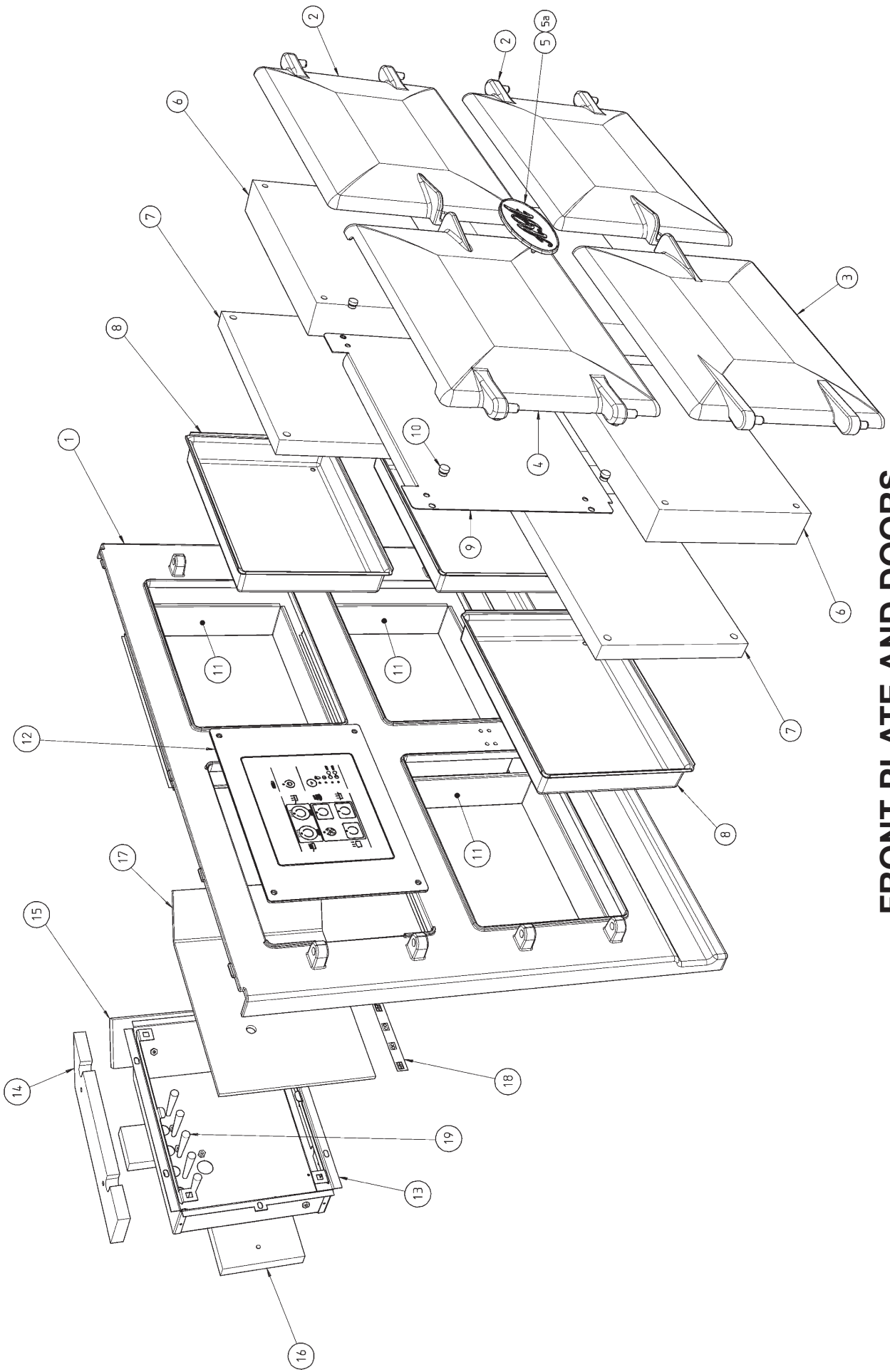


**TOP PLATE AND INSULATING DOMES
AGA TOTAL CONTROL MODEL No.: TC3**

**AGA TOTAL CONTROL (TC3)
TOP PLATE AND INSULATING DOMES**

FEBRUARY 2012

ITEM No.	CAT No.	DESCRIPTION	PRODUCT CODE
1	A5770	TOP PLATE	AE5E280115
2	A5737	BOILING/SIMMERING PLATE	AE4M280040
3	A4637	INSULATING LID ASSEMBLY - COMPLETE	AG1M211766
4	A5814	INSULATION BLANKET	AE4M280155
5	A1630	HANDRAIL	AG4M210642
6	A2975	VINYL END CAP	AG4M210660
7	A2314	HANDRAIL BRACKET	AG4M210853
8	NCA	TERMINAL BLOCK MOUNTING BRACKET	AE2M280149
9	A1109	30 AMP TERMINAL BLOCK	AE4M45679
10	A5790	CLAMP - BOILING/SIMMERING PLATE	AE2M280166
11	NCA	THERMOCOUPLE SECURING BRACKET	AE2M280113
12	A5442	THERMOCOUPLE FIXING PLATE	AE2M230915
13	A5841	TERMINAL BLOCK COVER	AE2M280114
14	NCA	BOILING/SIMMER PLATE GASKET	AE4M280165
15	A5791	BOILING/SIMMER PLATE THERMOCOUPLE	AE4M280097

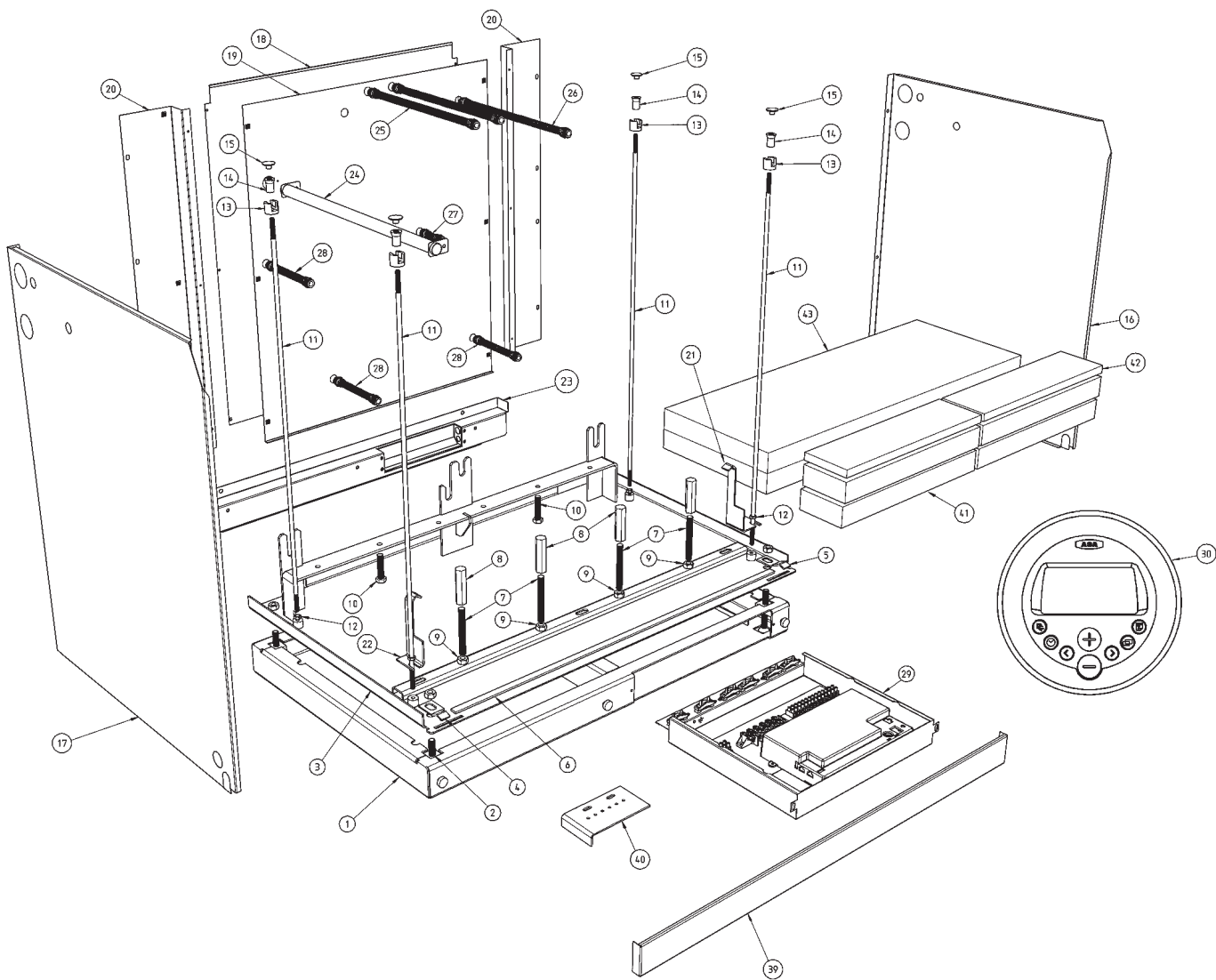


FRONT PLATE AND DOORS
AGA TOTAL CONTROL MODEL No.: TC3

**AGA TOTAL CONTROL (TC3)
FRONT PLATE AND DOORS**

NOVEMBER 2011

ITEM No.	CAT No.	DESCRIPTION	PRODUCT CODE
	A5815	FRONT PLATE C/W DOORS	AE9M996244
1	A5803	FRONT PLATE	AG5E280163
2	NCA	RH OVEN DOOR	AE5E280341
2A	A5760	RIGHT HAND DOOR ASSY - TOP	AE9M-TC-RHDOOR
2B	NCA	RIGHT HAND DOOR ASSY - BOTTOM	AE1M-TC-RHDRBOT
3	NCA	LH OVEN DOOR	AE5E380342
3A	A5761	LEFT HAND DOOR ASSY	AE9M-TC-LHDOOR
4	NCA	CONTROL DOOR	AE5E280343
4A	A5759	CONTROL DOOR ASSY	AE9M-TC-CNTDOOR
5	A2435	NAME PLATE (TRADITIONAL)	AG4M210341
5A	A2274	NAME PLATE (STANDARD)	AG4M210184
6	A5073	INSULATION PAD (50mm THICK)	JPAD211933
7	A4890	INSULATION PAD (25mm THICK)	JPAD211862
8	A1482	DOOR LINING PANEL	AO2M90347
9	A5742	CONTROL DOOR LINING PANEL	AE2V280156
10	R3807	DOOR BUFFER	RO4M341031
11	A5749	INSULATING FRAME ASSEMBLY	AE1M280259
12	NCA	TOUCH PANEL	AE4M280075
13	NCA	CONTROLS HOUSING ASSEMBLY	AE1M280248
14	NCA	INSULATION PAD - CONTROLS HOUSING TOP	JPAD280276
15	NCA	INSULATION PAD - CONTROLS HOUSING RH SIDE	JPAD280275
16	NCA	INSULATION PAD - CONTROLS HOUSING REAR	JPAD280274
17	NCA	INSULATION PAD - CONTROLS HOUSING INNER	JPAD280277
18	NCA	THERMOCOUPLE IDENTIFICATION LABEL	AE4M280198
19	A5786	BUNG - THERMOCOUPLE GUIDE TUBE	AE4M280338

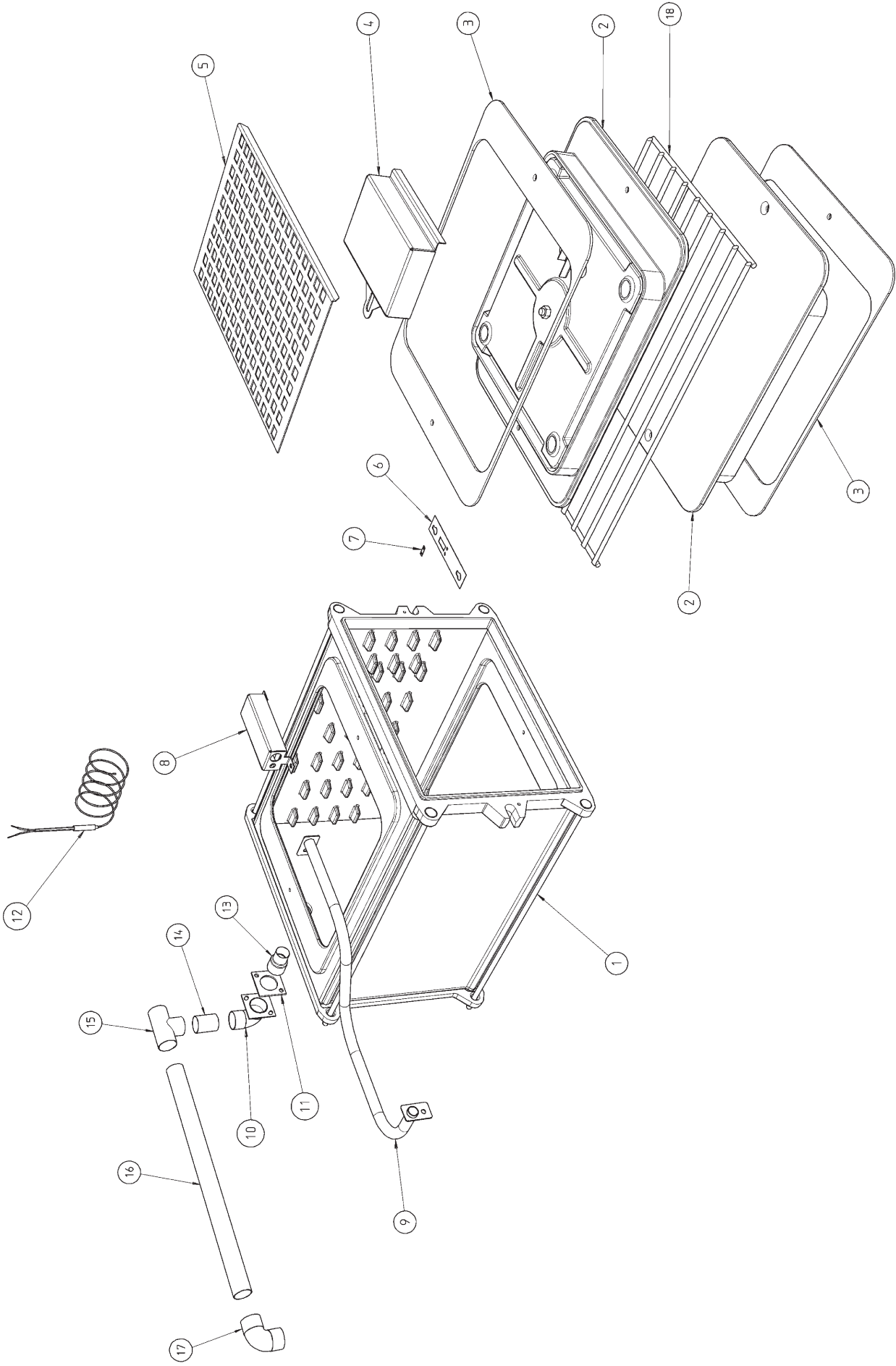


**PLINTH, BASE, SIDES AND BACK
AGA TOTAL CONTROL MODEL No.: TC3**

**AGA TOTAL CONTROL (TC3)
PLINTH, BASE, SIDES AND BACK PLATE**

FEBRUARY 2012

ITEM No.	CAT No.	DESCRIPTION	PRODUCT CODE
1	NCA	PLINTH ASSEMBLY	AE1M280174
2	NCA	M12 x 100 LG SLTD C'SUNK SCREW	KCSK500662
3	NCA	BASE PLATE ASSEMBLY	AE1M280044
4	NCA	LH FRONT PLATE CLAMP	AE2M280371
5	NCA	RH FRONT PLATE CLAMP	AE2M280370
6	NCA	FRONT PLATE SEALING STRIP	JGSG240456
7	NCA	M12 x 100mm LG ALLTHREAD	KSTD500635
8	A5750	M12 HEX ADJUSTER	AO4M220259
9	R5022	M12 HEX FULL NUT	KNUT53135
10	NCA	M12 x 55mm LG HEX HD BOLT	KHEX500571
11	NCA	M10 CORNER STAY ROD	AE4M280282
12	A2353	M10 HEX FULL NUT	KNUT53131
13	A5765	HOB PLATE ADJUSTER	AE4M280363
14	R4561	CORNER STAY NUT	RO4M342270
15	R4560	CORNER STAY BUTTON	RO4M342271
16	A5802	SIDE PLATE FILLER SET	AE4M231188
17	A5802	SIDE PLATE FILLER SET	AE4M231188
18	NCA	OUTER BACK PANEL	AE2M280126
19	NCA	INNER BACK PANEL	AE2M280127
20	NCA	INNER BACK PANEL STRUT	AE2M280374
21	NCA	TRANSIT BRACKET - RH	AE2M280280
22	NCA	TRANSIT BRACKET - LH	AE2M280281
23	NCA	LOWER BACK ASSEMBLY	AE1M280378
24	NCA	COMM CABLE GUIDE TUBE ASSY	AE4M280128
	NCA	ITEM 25-28 SUPPLIED AS CABLE T/COUPLE GUIDE CONDUIT KIT	AE4M280204
25	NCA	BOIL/SIMMER PLATE ELEMENT CONDUIT	AE4M280208
26	NCA	ROAST OVEN TOP ELEMENT CONDUIT	AE4M280207
27	NCA	ROAST OVEN BASE ELEMENT CONDUIT	AE4M280206
28	NCA	BAKE/SIMMER OVEN ELEMENT CONDUIT	AE4M280205
29	A5769	CONTROL BOARD ASSY C/W HANDSET	AE9M280116
30	A5771	HANDSET REMOTE CONTROL	AE4M280168
39	NCA	PLINTH FACIA	AE2V280062
40	NCA	M.T.B. COVER	AE4M280224
41	NCA	INSULATION PAD - BASE FRONT	JPAD280279
42	NCA	INSULATION PAD - BASE FRONT TOP	JPAD280365
43	NCA	INSULATION PAD - BASE REAR	JPAD280278

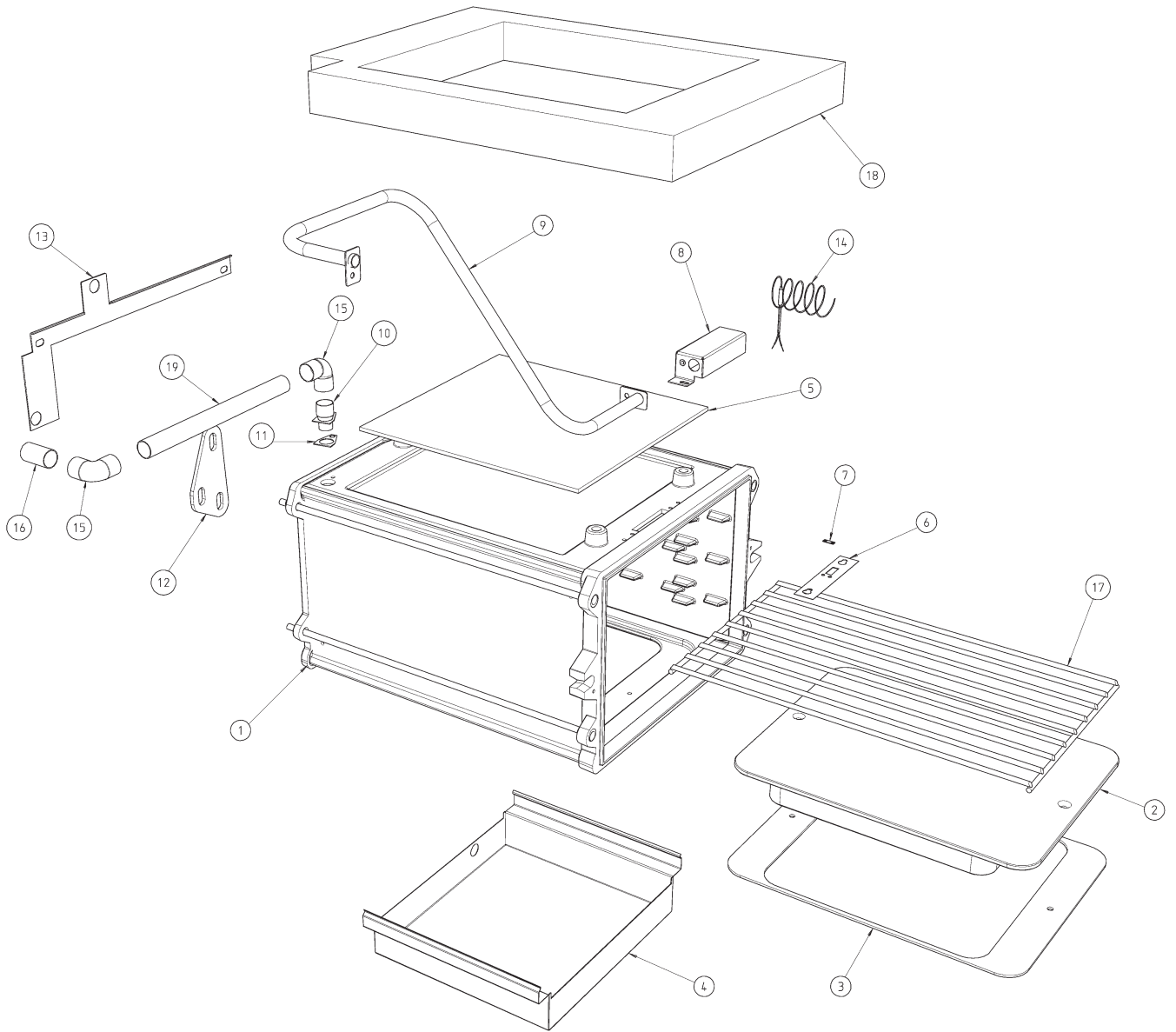


ROAST OVEN ASSEMBLY
AGA TOTAL CONTROL MODEL No.: TC3

**AGA TOTAL CONTROL (TC3)
ROAST OVEN ASSEMBLY**

OCTOBER 2011

ITEM No.	CAT No.	DESCRIPTION	PRODUCT CODE
	A5772	ROAST OVEN ASSY C/W ELEMENTS	AE1M280269
1	NCA	ROAST OVEN ASSEMBLY	AE1M280084
2	NCA	OVEN ELEMENT	AE4M280036
3	NCA	ELEMENT GASKET	JGSG280119
4	NCA	ELEMENT TERMINAL COVER	AE2M280129
5	A5809	ROAST OVEN BAFFLE	AE2M280112
6	NCA	THERMOCOUPLE SECURING BRACKET	AE2M280134
7	A5442	THERMOCOUPLE FIXING PLATE	AE2M230915
8	NCA	THERMOCOUPLE GUIDE TUBE HOUSING	AE2M280135
9	NCA	THERMOCOUPLE GUIDE TUBE	AE4M280136
10	NCA	OVEN VENT SPIGOT	AE4M280364
11	R2966	OVEN VENT SPIGOT GASKET	RG4M344549
12	NCA	OVEN THERMOCOUPLE	AE4M280097
13	A5775	28mm TO 22mm Cu REDUCER	AE4M280384
14	NCA	OVEN VENT LINKAGE PIPE - 28mm	AE4M280375
15	NCA	28mm TEE	AE4M230762
16	A5779	VENT PIPE - ROAST TO BAKE OVEN	AE4M280439
17	NCA	28mm 90° Cu ELBOW	AE4M230691
18	NCA	OVEN GRID SHELF	AE4M280222

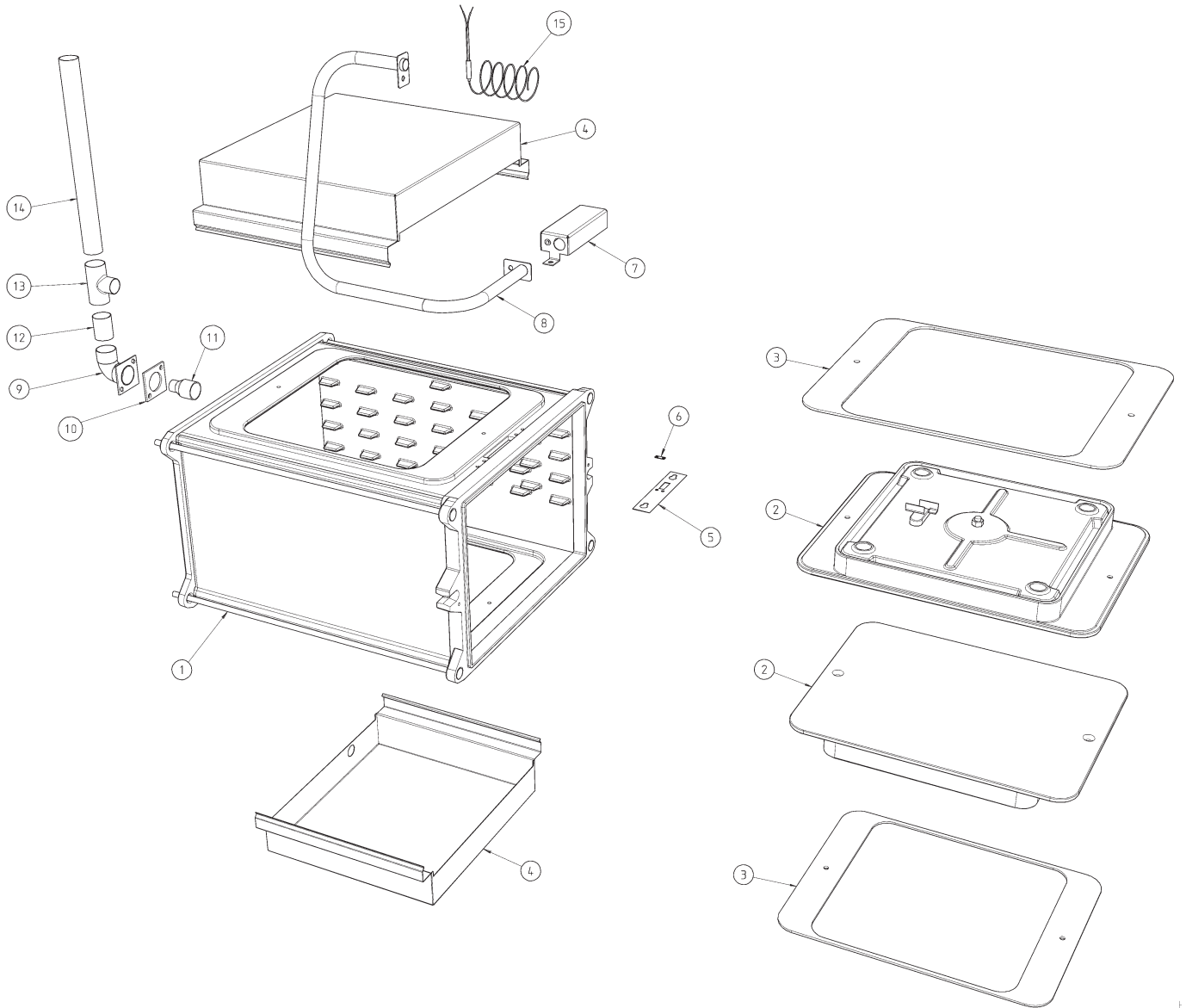


**SIMMERING OVEN ASSEMBLY
AGA TOTAL CONTROL MODEL No.: TC3**

**AGA TOTAL CONTROL (TC3)
SIMMERING OVEN ASSEMBLY**

OCTOBER 2011

ITEM No.	CAT No.	DESCRIPTION	PRODUCT CODE
	A5763	SIMMERING OVEN ASSY C/W ELEMENTS	AE1M280270
1	NCA	SIMMERING OVEN ASSY	AE1M280086
2	NCA	OVEN ELEMENT	AE4M280036
3	NCA	ELEMENT GASKET	JGSG280119
4	NCA	ELEMENT SHIELD	AE2M280083
5	NCA	INSULATION PAD	JPAD280157
6	NCA	THERMOCOUPLE SECURING BRACKET	AE2M280134
7	A5442	THERMOCOUPLE FIXING PLATE	AE2M230915
8	NCA	THERMOCOUPLE GUIDE TUBE HOUSING	AE2M280137
9	NCA	THERMOCOUPLE GUIDE TUBE	AE4M280139
10	A5780	OVEN VENT SPIGOT	AE4M280152
11	NCA	OVEN VENT SPIGOT GASKET	JGSG280124
12	NCA	OVEN TIE	AE2M280180
13	NCA	CONDUIT MOUNTING PLATE	AE2M280141
14	NCA	OVEN THERMOCOUPLE	AE4M280097
15	NCA	22mm Cu F/F 90° ELBOW	AE4M280329
16	A5783	VENT LINKAGE PIPE - 22mm	AE4M280390
17	NCA	OVEN FLOOR GRID	AE4M280222
18	NCA	INSULATION PAD	JPAD280340
19	A5784	VENT LINKAGE PIPE - 22mm	AE4M280391

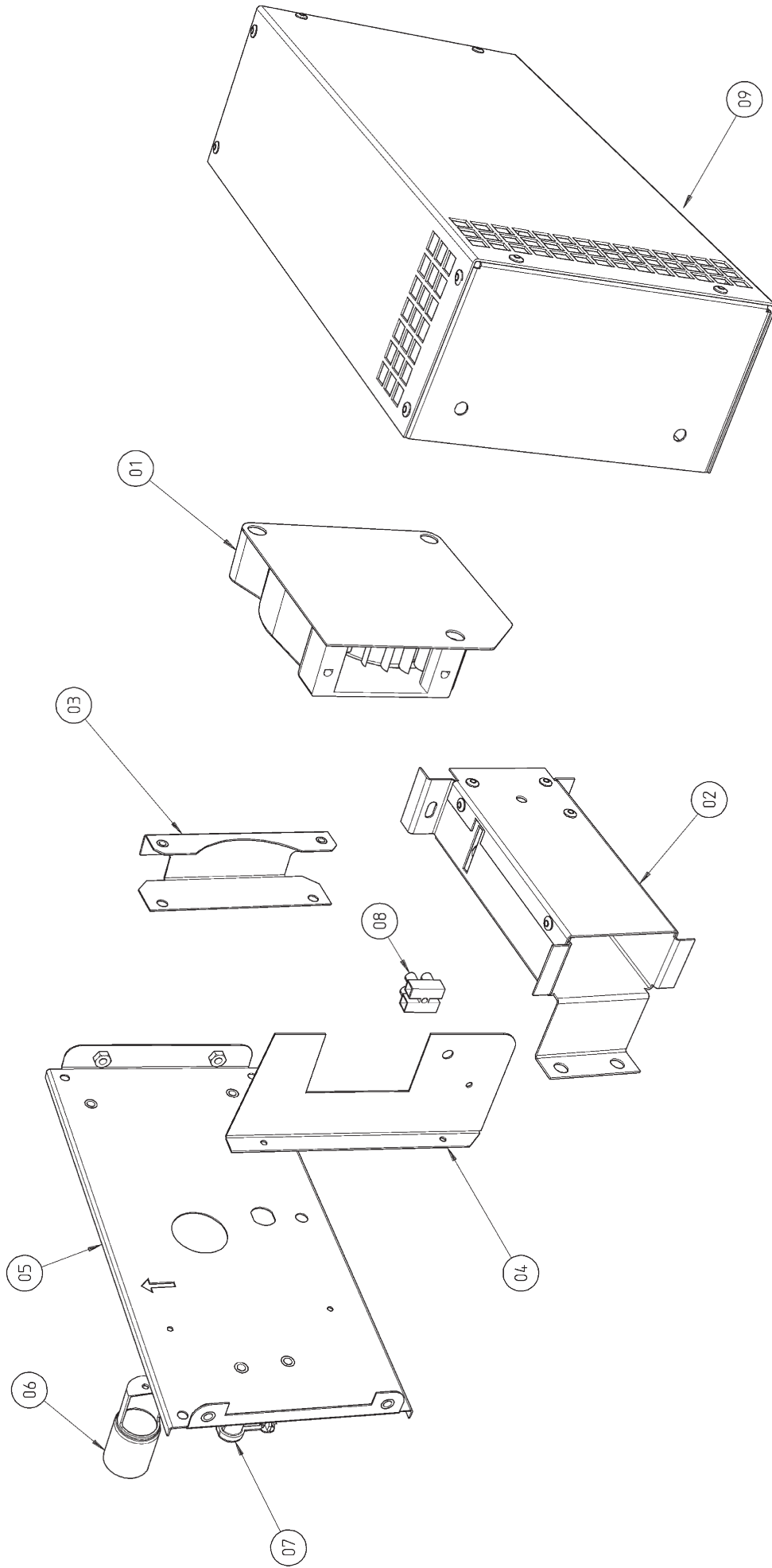


BAKING OVEN ASSEMBLY
AGA TOTAL CONTROL MODEL No.: TC3

**AGA TOTAL CONTROL (TC3)
BAKING OVEN ASSEMBLY**

OCTOBER 2011

ITEM No.	CAT No.	DESCRIPTION	PRODUCT CODE
	A5764	BAKING OVEN ASSY C/W ELEMENTS	AE1M280271
1	NCA	BAKING OVEN ASSY	AE1M280085
2	NCA	OVEN ELEMENT	AE4M280036
3	NCA	ELEMENT GASKET	JGSG280119
4	NCA	ELEMENT SHIELD	AE2M280083
5	NCA	THERMOCOUPLE SECURING BRACKET	AE2M280134
6	A5442	THERMOCOUPLE FIXING PLATE	AE2M230915
7	NCA	THERMOCOUPLE GUIDE TUBE HOUSING	AE2M280135
8	NCA	THERMOCOUPLE GUIDE TUBE	AE4M280140
9	A5773	OVEN VENT SPIGOT	AE4M280364
10	R2966	OVEN VENT SPIGOT GASKET	RG4M344549
11	A5774	28mm TO 15mm Cu REDUCER	AE4M280383
12	A5776	OVEN VENT LINKAGE PIPE - 28mm	AR4M280375
13	A5777	28mm - 28mm - 22mm TEE	AE4M280398
14	A5778	BAKING OVEN VENT PIPE - 28mm	AE2M280438
15	NCA	OVEN THERMOCOUPLE	AE4M280097

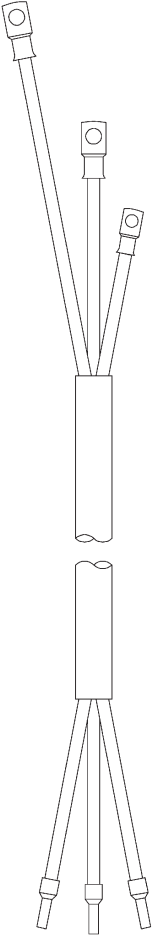
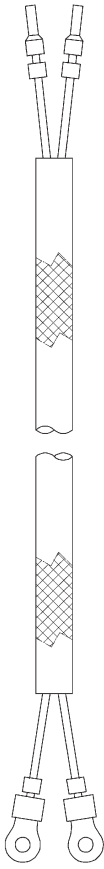

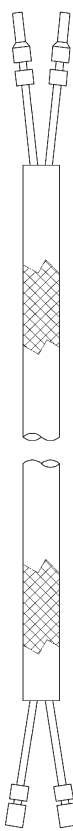
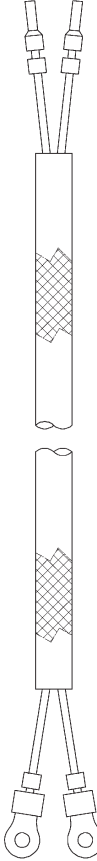
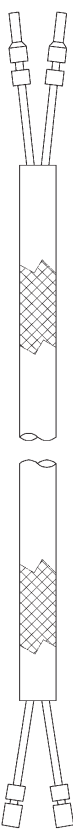
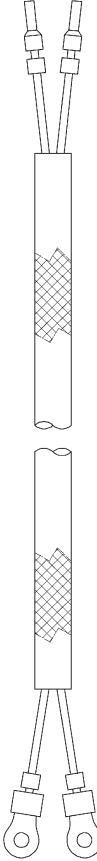

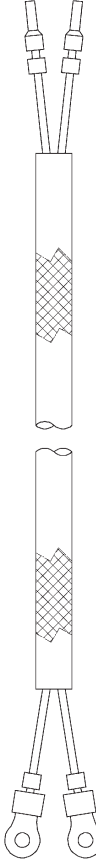

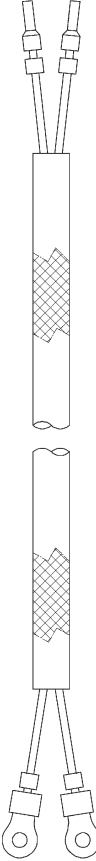
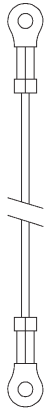


OVEN VENT FAN ASSY
AGA TOTAL CONTROL MODEL No.: TC3

**AGA TOTAL CONTROL (TC3)
OVEN VENT FAN ASSY**

OCTOBER 2011

ITEM No.	CAT No.	DESCRIPTION	PRODUCT CODE
	A5735	OVEN VENTING FAN ASSY - TC3	AE1M280228
1	NCA	FAN UNIT - EBM	AE4M280265
2	NCA	FAN DUCT ASSY	AE1M280227
3	NCA	FAN SECURING BRACKET	AE2M280230
4	NCA	FAN BAFFLE	AE2M280234
5	NCA	WALL MOUNTING PLATE	AE2M280231
6	A5411	VENTURI	AE4M230962
7	A2433	STRAIN RELIEF BUSH	GG4M24197
8	A2471	2-WAY TERMINAL BLOCK	AE4M45669
9	NCA	COVER ASSY	AE1M280239

 <p>MAINS CABLE AE4M280216 CAT No. A5788</p>	 <p>BAKING OVEN BOTTOM ELEMENT WIRING LOOM AE4M280188</p>
 <p>COMMUNICATION CABLE WIRING LOOM AE4M280096</p>	 <p>BOILING PLATE ELEMENT WIRING LOOM AE4M280189 CAT No. A5829</p>
 <p>SIMMERING OVEN ELEMENT WIRING LOOM AE4M280131</p>	 <p>SIMMERING PLATE ELEMENT WIRING LOOM AE4M280190 CAT No. A5830</p>
 <p>ROAST OVEN TOP ELEMENT WIRING LOOM AE4M280185</p>	 <p>CONTROL TRAY EARTH AE4M280145</p>
 <p>ROAST OVEN BOTTOM ELEMENT WIRING LOOM AE4M280186</p>	 <p>BOILING / SIMMERING PLATE EARTH AE4M280143</p>
 <p>BAKING OVEN TOP ELEMENT WIRING LOOM AE4M280187</p>	 <p>TOUCH PANEL EARTH AE4M280182</p>

WIRING HARNESS

AGA TOTAL CONTROL MODEL No.: TC3