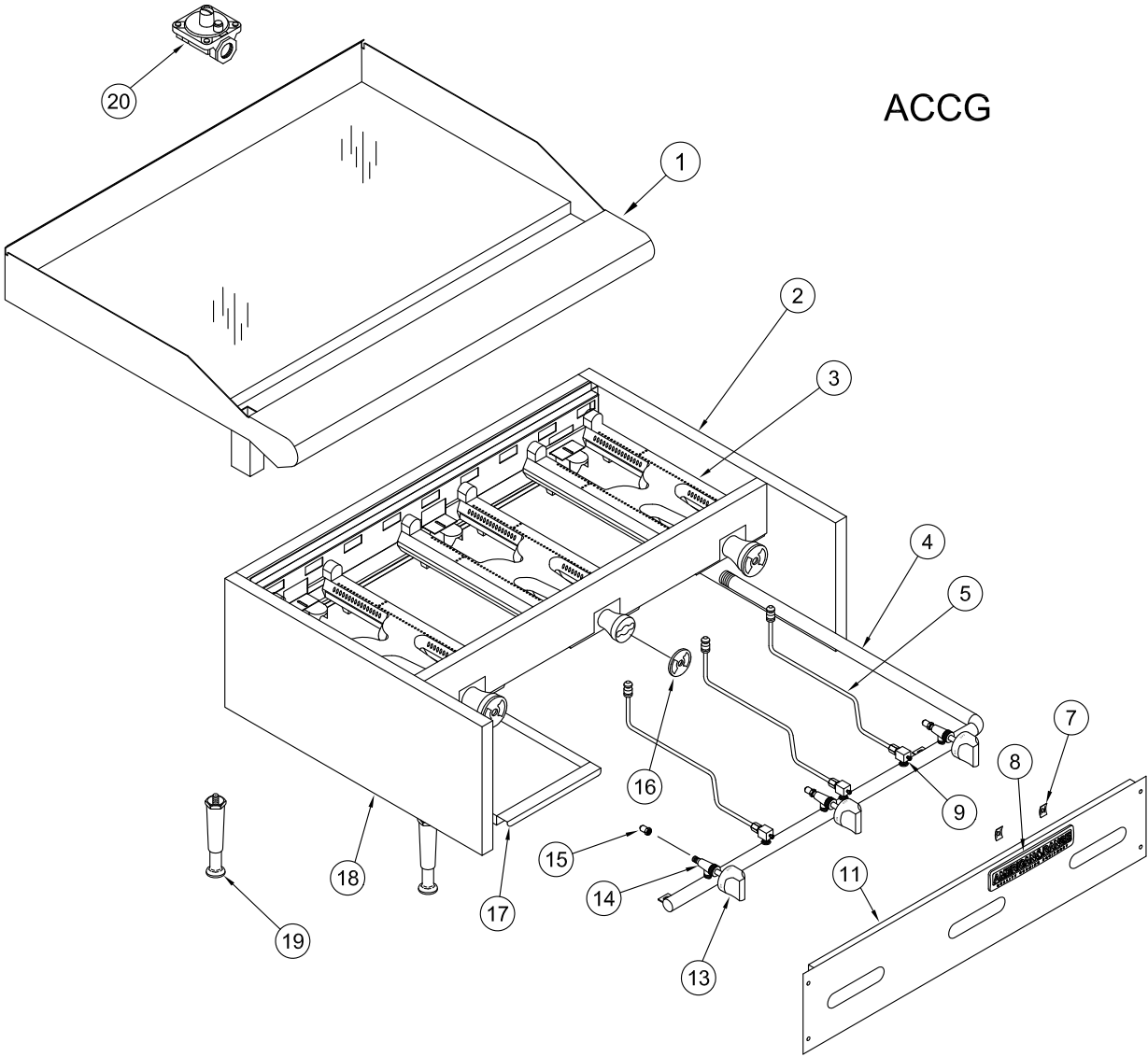


ACCG



ACCG GRIDDLE

ITEM NO.	PART NO.	DESCRIPTION	PRICE
3	A14009	Burner, "H" Shape Cast Iron	\$ 153.00
5	A29201	Pilot Tip Assembly, ARMG	\$ 25.00
7	A44003	Nut, Speed #6 Push Black 10601	\$ 0.50
8	A38000	Name Plate, American Range 8" 10499 Quality Commercial Chrome	\$ 20.00
9	A29300	Valve, Pilot Elbow Adjustable 10418 1/8 NPT 3/16 CC	\$ 12.00
10	A23010	Plug, 1/8" Pipe Hex Black All Manifolds	\$ 5.00
13	A32001	Knob, Gas On/Off Glossy Black Flat Down	\$ 14.00
14	A80109	Valve, Gas Manual On/Off UL 10419, AR, ARKB, ARRB, AECB	\$ 25.00
15	A29002	Hood, Orifice #46 1/2" Brass 11039 Nat Gas	\$ 2.50
	A29005	LPG Orifice #55 1/2" Brass 11053 LPG Gas	\$ 2.50
16	A14037	Air Shutter 2" 10463	\$ 4.50
17	A99800	Grease Can Assembly, ARMG ARTG 10250	\$ 140.00
19	A35011	Leg, 4" Adjustable Flanged NSF Stainless	\$ 24.00
	A35100	Leg, Set (4) 4" Adjustable with Flange Stainless NSF Countertop Units	\$ 165.00
20	A80110	Valve, Pressure Regulator 3/4" 10480 Nat Gas Set 5	\$ 34.00
	A80011	Valve, Pressure Regulator 3/4" 10481 LPG Gas Set 10.0	\$ 34.00

All prices subject to change without notice.

