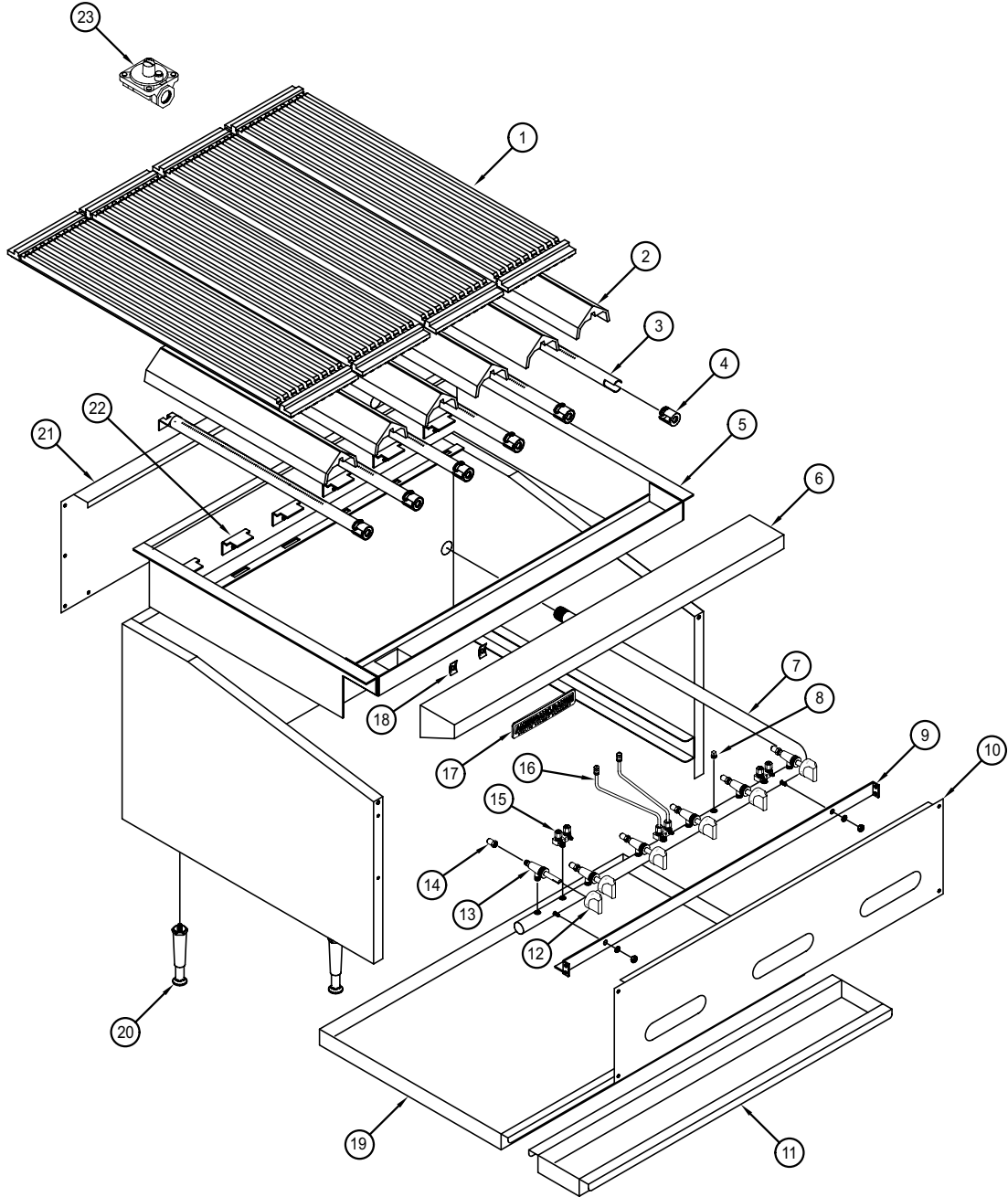
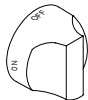
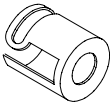
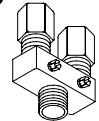
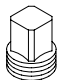
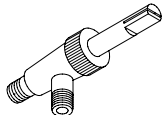

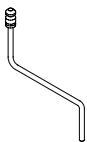


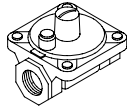


ADJ



<p>12</p>  <p>ON/OFF KNOB</p>	<p>4</p>  <p>AIR SHUTTER</p>	<p>15</p>  <p>3/16 DUAL PILOT VALVE</p>	<p>8</p>  <p>1/8" PLUG</p>	<p>13</p>  <p>GAS VALVE</p>
<p>14</p>  <p>ORIFICE HOOD</p>	<p>16</p>  <p>PILOT TIP ASSY</p>	<p>17</p>  <p>AMERICAN RANGE NAME PLATE</p>	<p>18</p>  <p>SPEED NUT</p>	<p>23</p>  <p>REGULATOR</p>

ADJ - ADJUSTABLE BROILER

ITEM NO.	PART NO.	DESCRIPTION	PRICE
1	A17010	Grate, 9 Bar 5" x 21" Cast Iron ADJ/AMSQ	\$ 64.00
2	A17004	Cover, Radiant 19.5" Cast Iron 10449	\$ 64.00
3	A14011	Burner, Broiler ARRB, AERB, ARKB 10468	\$ 62.00
4	A14036	Air Shutter, 1"	\$ 5.00
8	A23010	Plug, 1/8" Pipe Hex Black All Manifolds	\$ 5.00
12	A32001	Knob, Gas On/Off Glossy Black Flat Down	\$ 14.00
13	A80109	Valve, Gas Manual On/Off UL 10419, AR, ARKB, ARRB, AECB	\$ 25.00
14	A29004	Orifice Hood, #50 1/2" Brass, 11050 Nat Gas	\$ 2.50
	A29008	Orifice Hood, #57 1/2" Brass, 11057 LPG Gas	\$ 2.50
15	A29301	Valve, Dual Gas Pilot 1/8 x 3/16C 10432	\$ 16.00
16	A29221	Pilot Tip, Assembly ADJ	\$ 25.00
17	A38000	Name Plate, American Range 8" 10499 Quality Commercial Chrome	\$ 20.00
18	A44003	Nut, Speed #6 Push Black 10601	\$ 0.50
20	A35011	Leg, 4" Adjustable Flanged NSF Stainless	\$ 24.00
23	A80011	Valve, Pressure Regulator 3/4 10481 LPG Gas Set 10.0	\$ 34.00
	A80110	Valve, Pressure Regulator 3/4 10480 Nat Gas Set 5.	\$ 34.00
	A32016	Knob, Ball 1-3/4 3/8 Insert	\$ 14.00
	A34004	Spring, Extension ADJ-60/ADJ-72 1-1/16" x 5-1/2" x .120"	\$ 48.00
	A34007	Spring, Extension ADJ Special 1-1/16" x 4+ ADJ-24 thru ADJ-48"	\$ 48.00

All prices subject to change without notice.

