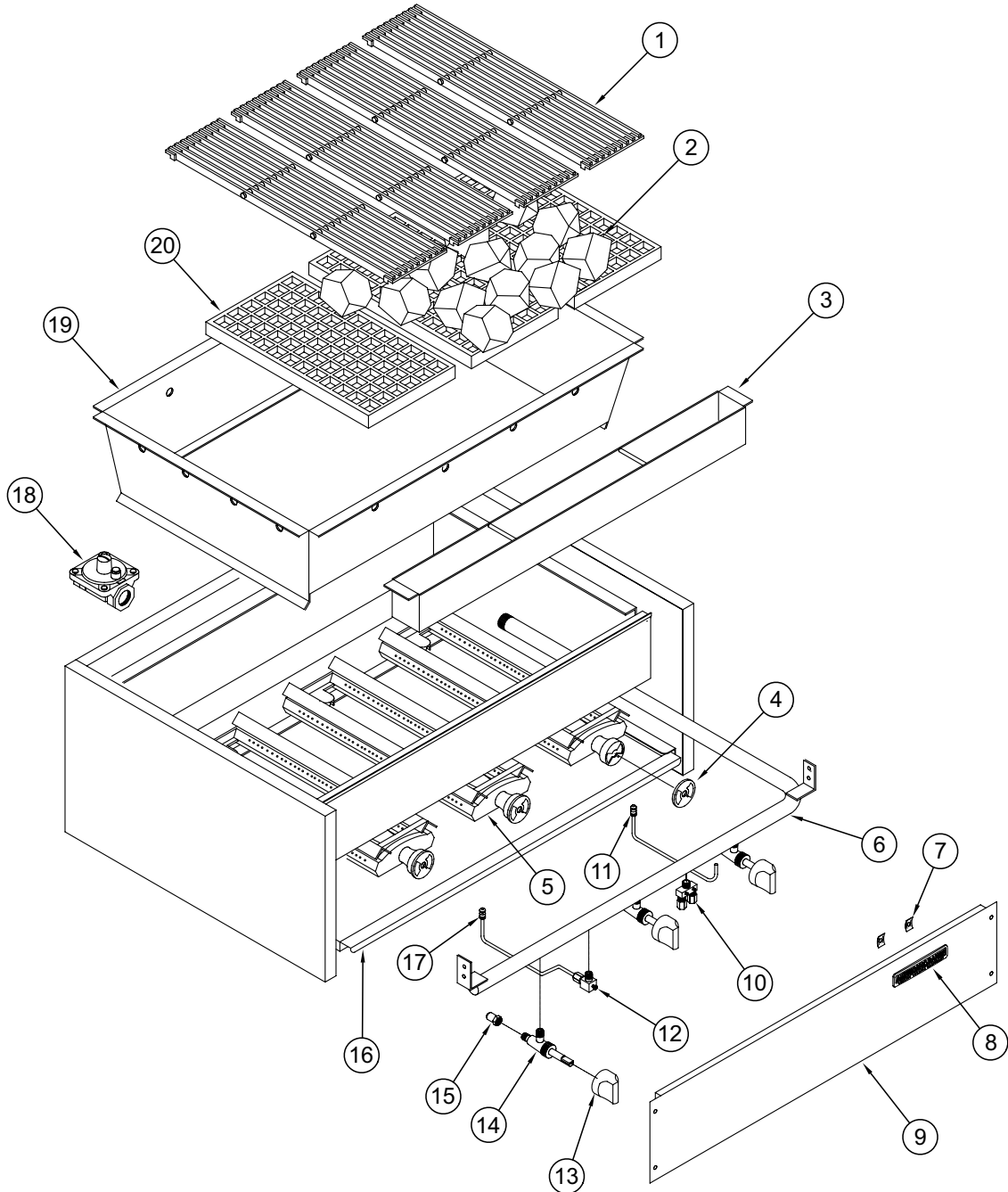



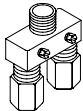
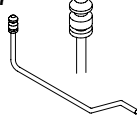
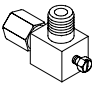
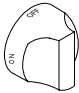
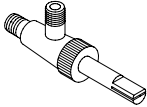

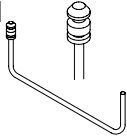
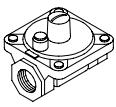


AECB



<p>4</p>  <p>AIR SHUTTER</p>	<p>7</p>  <p>SPEED NUT</p>	<p>8</p>  <p>AMERICAN RANGE NAME PLATE</p>	<p>10</p>  <p>3/16 DUAL PILOT VALVE</p>	<p>17</p>  <p>PILOT TIP ASSEMBLY</p>	<p>12</p>  <p>90° PILOT VALVE</p>
<p>13</p>  <p>ON/OFF KNOB</p>	<p>14</p>  <p>GAS VALVE</p>	<p>15</p>  <p>ORIFICE HOOD</p>	<p>11</p>  <p>PILOT TIP ASSEMBLY "U"</p>	<p>18</p>  <p>REGULATOR</p>	

AECB - CHAR ROCK BROILER

ITEM NO.	PART NO.	DESCRIPTION	PRICE
1	A17007	Grate, Top 5" x 21" (200) 10454	\$ 102.00
2	A52900	Pumice, Lava Rock Lump Style 10441 (20 lb. box)	\$ 63.00
3	A99561	14" Grease Can 2020-14	\$ 118.00
	A99562	24" Grease Can 2020-24	\$ 126.00
	A99563	34" Grease Can 2020-34	\$ 161.00
	A99565	44" Grease Can 2020-44	\$ 183.00
	A99566	54" Grease Can 2020-54	\$ 228.75
4	A14037	Air Shutter, 2" 10463	\$ 4.50
5	A14038	Burner, H w/Welded Radiants 10475 AECB & AMSQ	\$ 200.00
6	A15026	Manifold, AECB-14" Char Broiler 2019-14 Counter Top (5)	\$ 72.00
	A15024	Manifold, AECB-24" Char Broiler 2019-24 Counter Top	\$ 88.00
	A15020	Manifold, AECB-34" Char Broiler Counter Top (10)	\$ 104.00
	A15063	Manifold, AECB-44" Char Broiler 2019-44 Counter Top	\$ 144.00
7	A44003	Nut, Speed #6 Push Black 10601	\$ 0.50
8	A38000	Name Plate, American Range 8" 10499 Quality Commercial Chrome	\$ 20.00
10	A29301	Valve, Dual Gas Pilot 1/8 x 3/16C 10432	\$ 16.00
11	A29205	Pilot Tip, Assembly Double Valve AECB	\$ 24.00
12	A29300	Valve, Pilot Elbow Adjustable 10418 1/8 NPT 3/16 CC	\$ 12.00
13	A32002	Knob, Gas On/Off Glossy Black Flat Up	\$ 14.00
14	A80109	Valve, Gas Manual On/Off UL 10419, AR, ARKB, ARRB, AECB	\$ 25.00
15	A29014	Hood, Orifice Hood #36 1/2" Brass 11036 Nat Gas	\$ 2.50
	A29004	Hood, Orifice #50 1/2" Brass 11050 LPG Gas	\$ 2.50
16	A99567	14" Crumb Tray 2017-14	\$ 87.50
	A99568	24" Crumb Tray 2017-24	\$ 119.00
	A99577	34" Crumb Tray 2017-34	\$ 159.25
	A99578	44" Crumb Tray 2017-44	\$ 179.39
17	A29229	Pilot Tip, Assembly Single Valve AECB	\$ 24.00
18	A80110	Value, Pressure Regulator 3/4 10480 Nat Gas Set 5.	\$ 34.00
	A80011	Valve, Pressure Regulator 3/4 10481 LPG Gas Set 10.0	\$ 34.00
19	A99762	14" Fire Box Assembly 2013-14	\$ 200.00
	A99763	24" Fire Box Assembly 2013-24	\$ 256.00
	A99764	34" Fire Box Assembly 2013-34	\$ 288.00
	A99765	44" Fire Box Assembly 2013-44	\$ 343.00
20	A17003	Grate, Bottom Waffle 8" x 15" 10455 (250)	\$ 80.00

All prices subject to change without notice.

DESIGNED & BUILT IN USA
PROFESSIONAL COOKING EQUIPMENT

AMERICAN RANGE
Quality Commercial Cooking Equipment

13592 Desmond St., Pacoima, CA 91331 818.897.0808 888.753.9898 www.americanrange.com