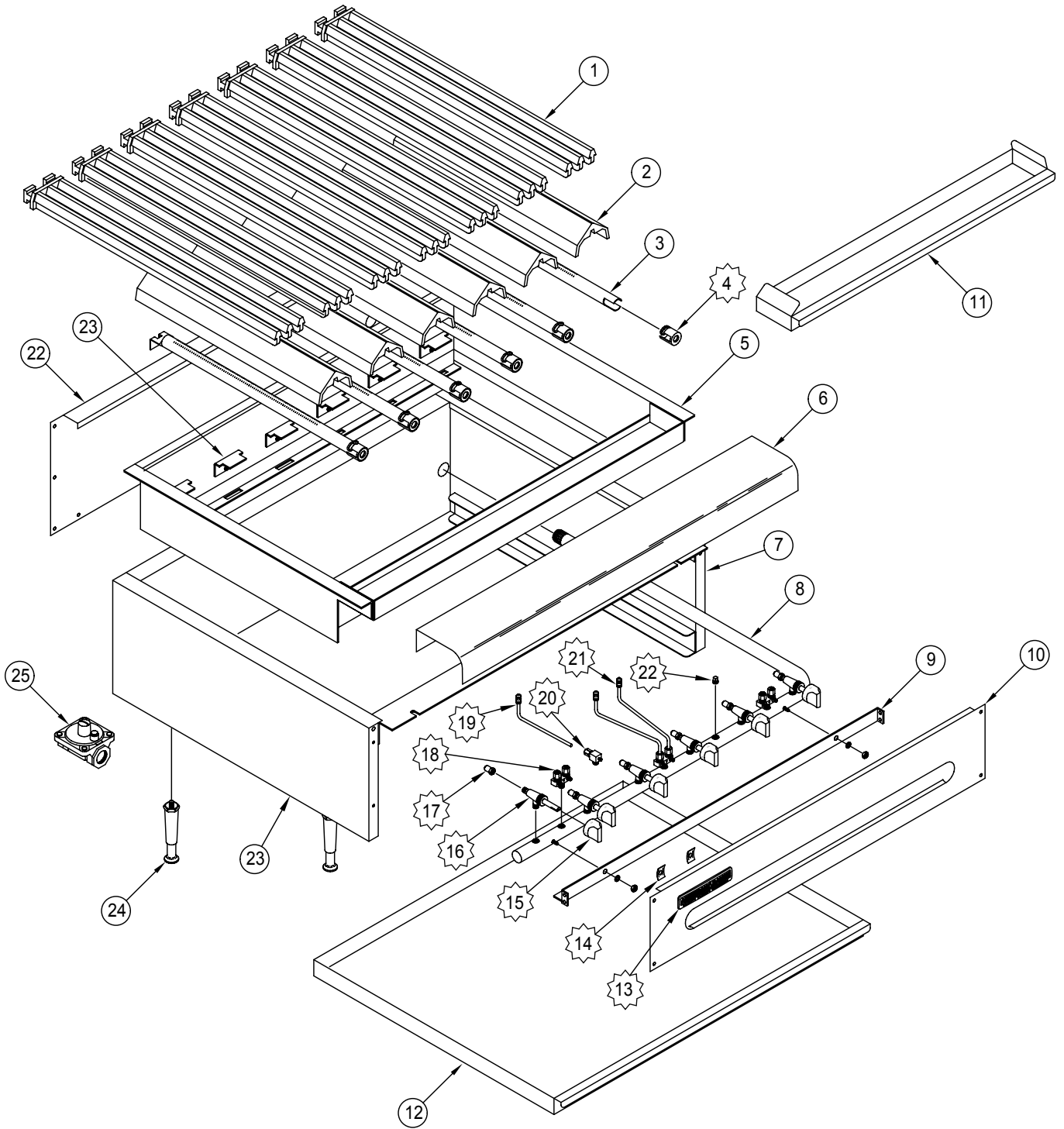


AERB



AERB

ITEM NO.	PART NO.	DESCRIPTION
1	A17001	Grate, Top 3 Bar 3" x 21" 10451 Cast Iron
2	A17004	Cover, Radiant 19.5" Long ARRB/AERB
3	A14011	Radiant Broiler Burner
4	A14036	Air Shutter, 1"
11	8003-12	Grease Can, AERB-12
12	A99852	Crumb Tray 12" AERB Charbroiler 8021-12
	A99853	Crumb Tray 16" AERB Charbroiler 8021-16
	A99854	Crumb Tray 24" AERB Charbroiler 8021-24
	A99855	Crumb Tray 30" AERB Charbroiler 8021-30
	A99856	Crumb Tray 48" AERB Charbroiler 8021-48
	A99857	Crumb Tray 36" AERB & AERB-72 Charbroiler 8021-36
13	A38000	Name Plate, American Range 8" 10499 Quality Commercial Chrome
14	A44003	Nut, Speed #6 Push Black 10601
15	A32001	Knob, Gas On/Off Glossy Black Flat Down
16	A80109	Valve, Gas Manual On/Off UL 10419, AR, ARKB, ARRB, AECB
17	A29008	Orifice Hood, #57 1/2" Brass, 11057 LPG Gas
	A29004	Orifice Hood, #50 1/2" Brass, 11050 LPG Gas
18	A29301	Valve, Dual Gas Pilot 1/8" x 3/16" C 10432
19	A29235	Pilot Tip, Assembly Single Valve AERB
20	A29300	Valve, Pilot Elbow Adjustable 10418 1/8" NPT 3/16" CC
21	A29204	Pilot Tip, Assembly Dual Valve AERB
22	A23010	Plug, 1/8" Pipe Hex Black All Manifolds
24	A35011	Leg, 4" Adjustable Flange NSF Stainless
	A35100	Leg Set (4) 4" Adjustable w/Flange
25	A80011	Valve, Pressure Regulator 3/4" 10481 LPG Gas Set 10.0
	A80110	Valve, Pressure Regulator 3/4" 10480 Nat Gas Set 5

subject to change without notice.

