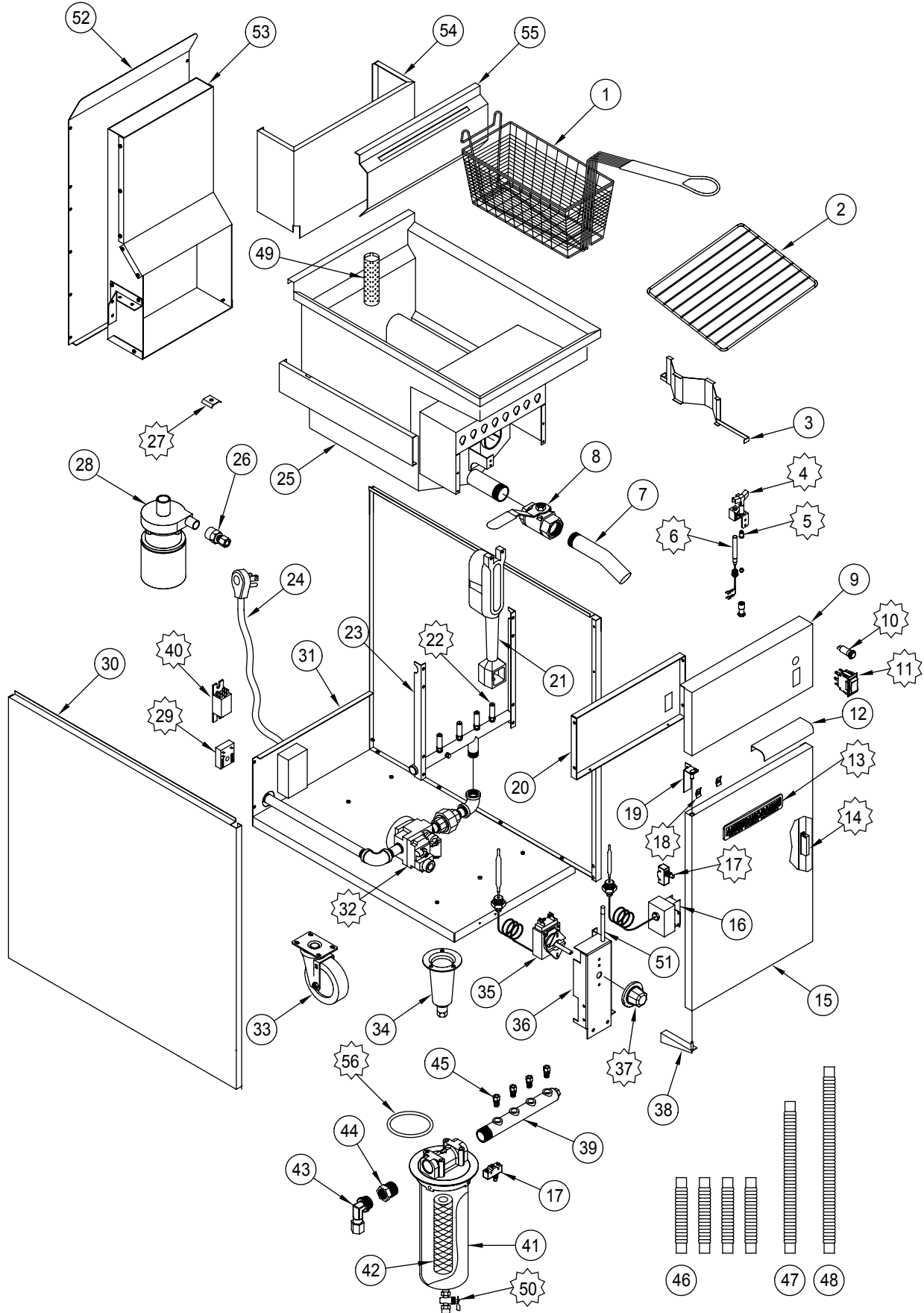


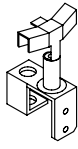

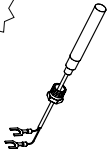
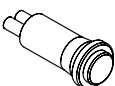
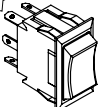


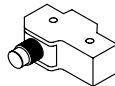


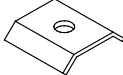
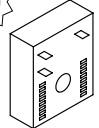
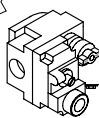
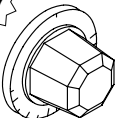
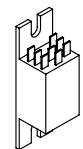
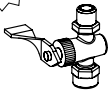

AFM - 85



AFM - 85

ITEM NO.	PART NO.	DESCRIPTION
1	A33001	Basket, Fryer AF-75 Chrome Plated NSF Blue Handle
2	A31047	Rack, AFM-85
3	A99240	Diffuser, Assembly AF Series
4	A11103	Pilot, AF 6CH14-6N .022 Nat Gas
	A11121	Pilot, AF 6CH14-6 .014 LP Gas
5	A11179	Orifice, Bell 0.22 AR/AF Nat Gas
	A11109	Orifice, Bell 0.014L VL LP Gas
6	A11102	Thermopile, Power Generator AF
7	A23003	Drain Pipe, AF Series
8	A80201	Valve, Drain NSF AF Series
10	A10011	Light, Indicator 120V Red 12.7 10407 w/Wire Lead & Male Term
11	A10009	Switch, Rocker 3 Position
12	A99319	Handle, AF Series Heavy Duty, Stainless
13	A38000	Name Plate, American Range 8" Quality Commercial Cooking
14	A43104	Magnet, Door AF Series
16	A10007	Switch, Hi-Limit Millivolt AF
17	A10003	Switch, Door Plunger Style w/ Rubber Boot
18	A44003	Nut, Speed #6 Push Black
19	A99219	Hinge, Top Door AF Series
21	A14008	Burner, AF Series Cast Iron w/American Range Logo
22	A29010	Orifice Hood (Nat) #32
	A29023	Orifice Hood (LP) #53
23	A15032	Manifold, AF-85 Fryer 4 Tube 7000 Valve 1/2" Manifold
25	A99400	Tank, AFM-85 Fryer Assembly No Drain Valve
26	A28065	Adapter 1/2" Tube
27	A99218	Probe Holder, AF Series

subject to change without notice.

4  PILOT	5  ORIFICE BELL	6  THERMOPILE	10  INDICATOR LIGHT	11  SWITCH	13  AMERICAN RANGE NAME PLATE	14  DOOR MAGNET
17  DOOR SWITCH	18  SPEED NUT	22  ORIFICE HOOD	27  PROBE HOLDER	29  TIMER	32  GAS VALVE	37  KNOB THERMOSTAT
40  RELAY	50  DRAIN VALVE	56  O - RING				

AFM - 85

ITEM NO.	PART NO.	DESCRIPTION
28	A91022	Pump, Magnetic Drive 115V
29	A60009	Timer, Repeat Duty Cycle Switch 71534 Settable AFM-Series
31	A99429	Bottom Back Panel
32	A80102	Gas Valve (Nat)
	A80103	Gas Valve (LG)
33	A35013	Caster (with bracket)
	A35012	Caster (without bracket)
34	A35001	6" Cone Leg
35	A50400	Thermostat
36	A99320	Thermostat (Bracket)
37	A32013	Knob (Thermostat)
38	A99220	Door Hinge Bottom
39	A15202	Oil Manifold
40	R10023	Relay, 30A Dual Fuel Range/AFM
41	A16019	Housing, 10" Cartridge & Head Assembly w/Drain Valve 304L
42	A16012	Filter, 1 Micron Magma Fryer Clear White Bag & Pre-washed 15 PK
	A16013	Filter, 5 Micron Magma Fryer Clear Green Bag & Pre-washed 15 PK
	A16014	Filter, 10 Micron Magma Fryer Clear Red Bag & Pre-washed 15 PK
	A16015	Filter, 20 Micron Magma Fryer Clear Blue Bag & Pre-washed 15 PK
43	A28058	Elbow, Brass 90D 1/2" Comp X 1/2 NPTF Male Pipe Standard
44	A28061	Adapter, 1/2" NPTF X 3/4-20 UNF Female Pipe Brass
45	A28072	Fitting, 3/8CC X 1/4 MIP Brass
46	A53045	Tubing, Flex 3/8" X 9" Stainless
47	A53067	Tubing, Flex 1/2" X 17" Stainless w/ Nut & Sleeve Assembled
48	A53066	Tubing, Flex 1/2" X 21" Stainless w/ Nut & Sleeve Assembled
49	A16003	Strainer, Oil Intake Stainless Filtration System
50	A28066	Valve, Shut Off Brass UL Listed 1/4" NPTF AFM Filtration System
51	A16004	Breaker Bar Loosen & Tighten Filter Cartridge Ring AFM
52	A99426	Panel, Top Back AF-75 5229
53	A99323	Flue Box, Assembly AF-75 5244
54	A99408	High Riser, Basket Support AF-45 Heavy Duty Stainless
55	A99414	Hanger, Basket Support AFM-85
56	A16023	O-Ring, Kit Cartridge Head & Filter Housing AFM Series

subject to change without notice.