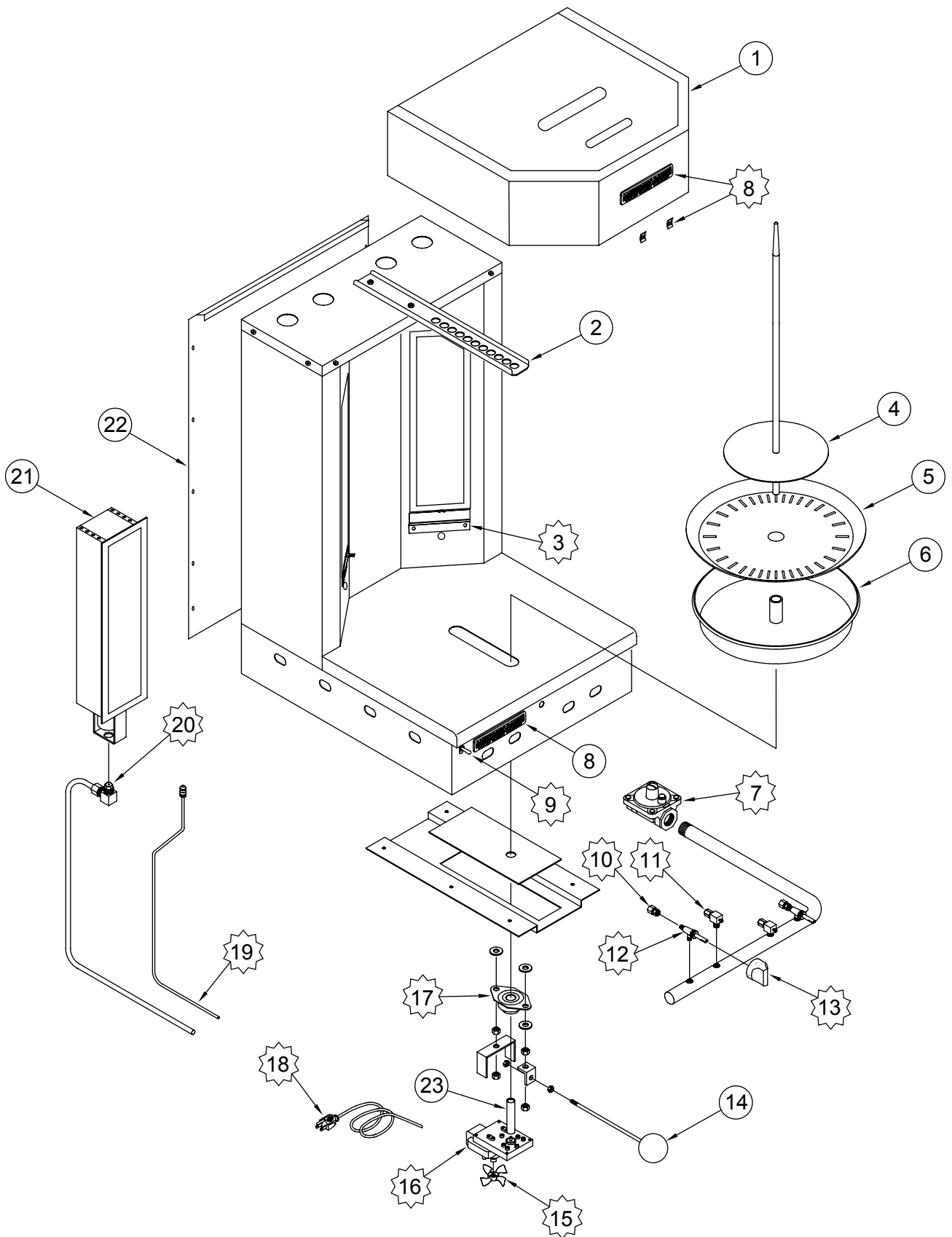


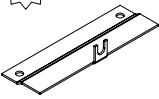
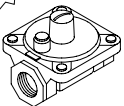


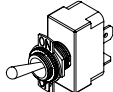
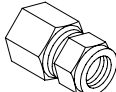
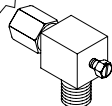
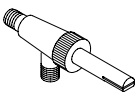
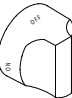
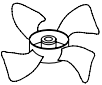
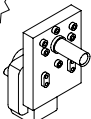
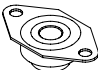
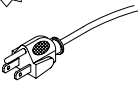

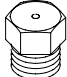
# AVB



# AVB

| ITEM NO. | PART NO. | DESCRIPTION  |
|----------|----------|--|
| 1        | A99627   | Cover, Top AVCB-2 Heavy Duty 6000-A-01 Stainless Steel           |
| 2        | A31028   | Spit Guide, 6 Position AVB 10288                                 |
| 3        | A99805   | Bracket, Gas Pilot Rt IR Burner 70785R                           |
|          | A99806   | Bracket, Gas Pilot Lt IR Burner 70785L                           |
| 4        | A99453   | Plate, Spit Rotisserie Assembly 10289 AVB                        |
| 5        | A99656   | Pan, Grease Funnel AVB 10603                                     |
| 6        | A99452   | Pan, Grease Collector AVB 10604                                  |
| 7        | A80110   | Valve, Pressure Regulator 3/4 10480 Nat Gas Set 5.               |
|          | A80011   | Valve, Pressure Regulator 3/4 10481 LPG Gas Set 10.0             |
| 8        | A38000   | Name Plate, American Range 8" 10499 Quality Commercial Chrome    |
|          | A44003   | Nut, Speed #6 Push Black 10601                                   |
| 9        | A10014   | Switch, Toggle On/Off 115V 10417                                 |
| 10       | A28028   | Adapter, 3/8C x 3/8-27 Uns Brass                                 |
| 11       | A29300   | Valve, Pilot Elbow Adjustable 10418 1/8 NPT 3/16 CC              |
| 12       | A80109   | Valve, Gas Manual On/Off UL 10419, AR, ARKB, ARRB, AECB          |
| 13       | A32001   | Knob, Gas On/Off Glossy Black Flat Down                          |
| 14       | A32100   | Handle, Assembly Front to Back 10605 Adjustment                  |
| 15       | A32008   | Fan Blade, AVB Gear Motor  |
| 16       | A91003   | Motor, Gear 115V ACB-4, AVB 10410                                |
| 17       | A40005   | Bearing, High Heat Flanged 3/4" 10429 Bore w/3 Set Screws        |
| 18       | A13100   | Cord, Power NEMA 5-15P SJT 16/3 6' Black ROJ 5-1/2" Grn #10 Term |
| 19       | A29214   | Pilot Tip, Assembly AVB 10239                                    |
| 20       | A29105   | Spud, Hex Orifice #55 LPG Gas Infrared                           |
|          | A29116   | Spud, Hex Orifice #47 Nat Gas                                    |
|          | A29400   | Gas Supply, Assembly IR Burner AVB                               |
| 21       | A14016   | Burner, Infrared AVB & AGBU 10620 Old Style 17-1/4" x 4"         |
| 22       | A99807   | Panel, Back AVB 18ga Aluminized Part 4                           |
| 23       | A40017   | Adapter, Shaft AVB   |
| 23       | A43046   | Pin, Cotter 1/8"OD x 3/4" Slotted                                |

subject to change without notice.

|  |  |  |   |   |  |  |  |
|--|--|--|---|---|--|--|--|
| 3<br><br>PILOT BRACKET | 7<br><br>REGULATOR  | 8<br><br>AMERICAN RANGE<br>NAME PLATE | 8<br><br>SPEED NUT | 9<br><br>TOGGLE SWITCH                 | 10<br><br>3/8 ADAPTER FITTING | 11<br><br>90° PILOT VALVE | 12<br><br>GAS VALVE |
| 13<br><br>ON/OFF KNOB | 15<br><br>FAN BLADE | 16<br><br>GEAR MOTOR                  | 17<br><br>BEARING  | 18<br><br>6", 3-PRONG<br>ELECTRIC CORD | 19<br><br>PILOT TIP ASSEMBLY  | 20<br><br>SPUD ORIFICE    |  |