

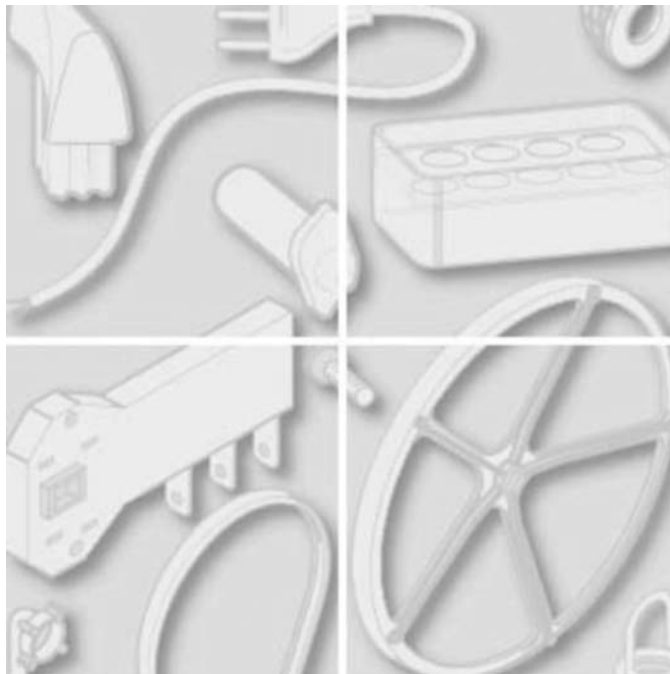


# ARISTON

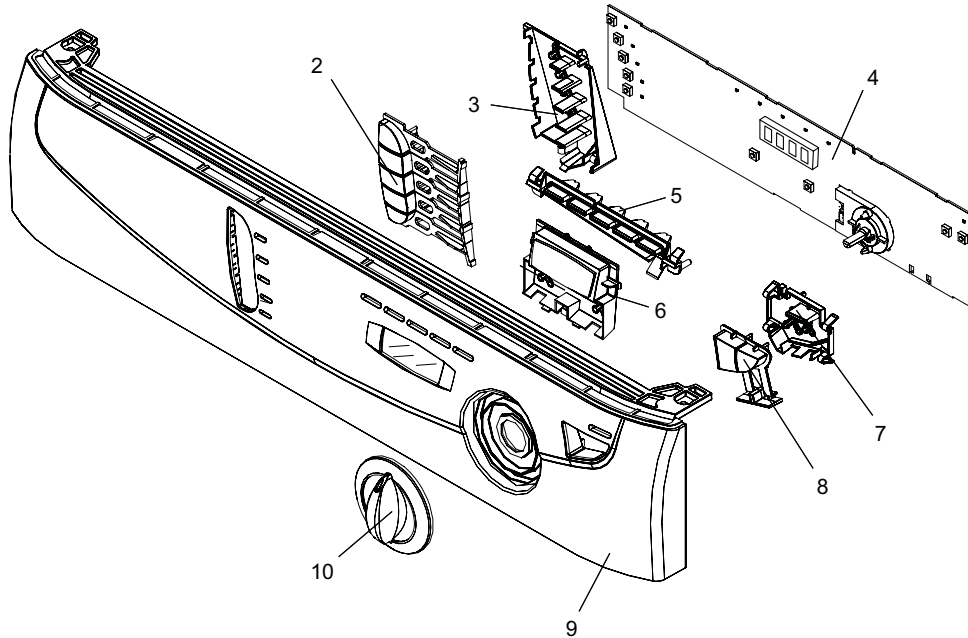
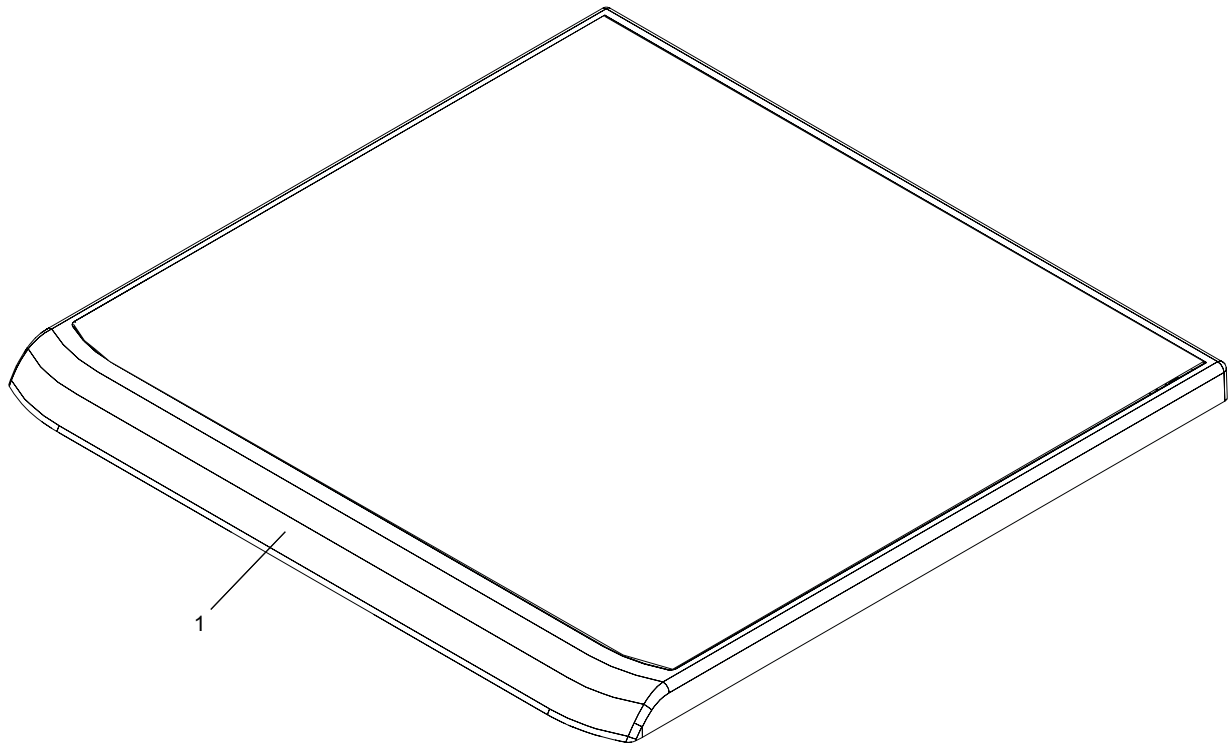
---

## REPAIR PART DIAGRAMS

---

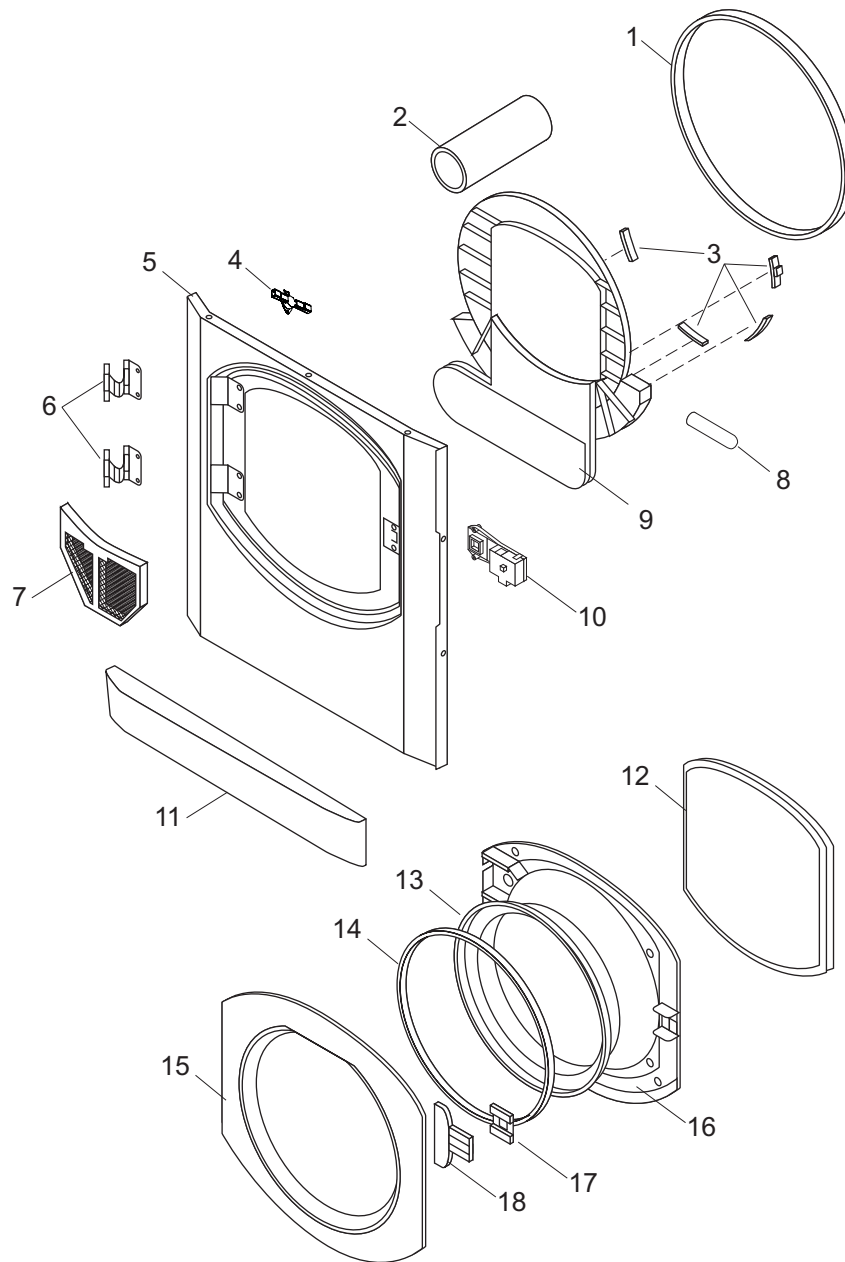


**PRODUCT: DRYER**  
**MODEL: ASL65VXS NA**

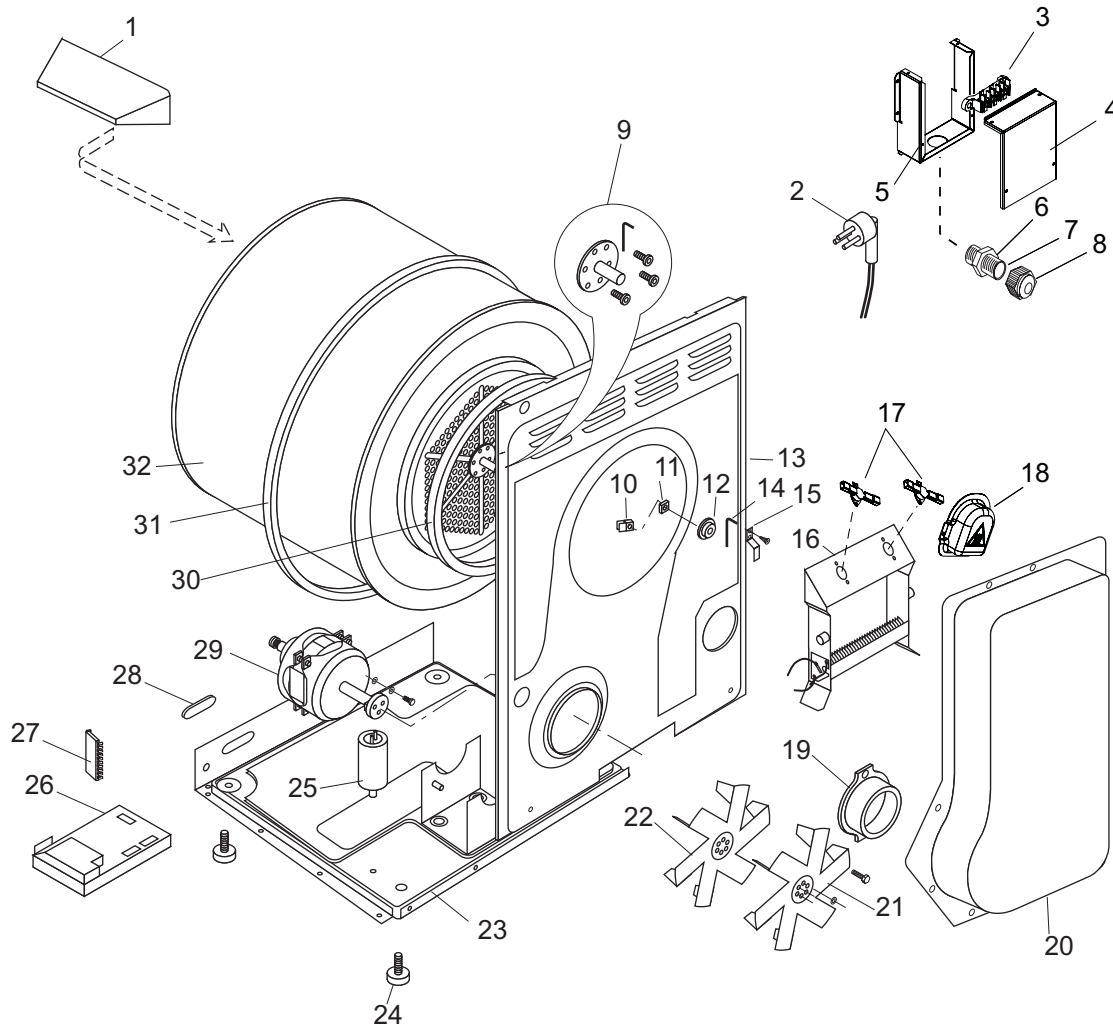


Stacking Kit 142690

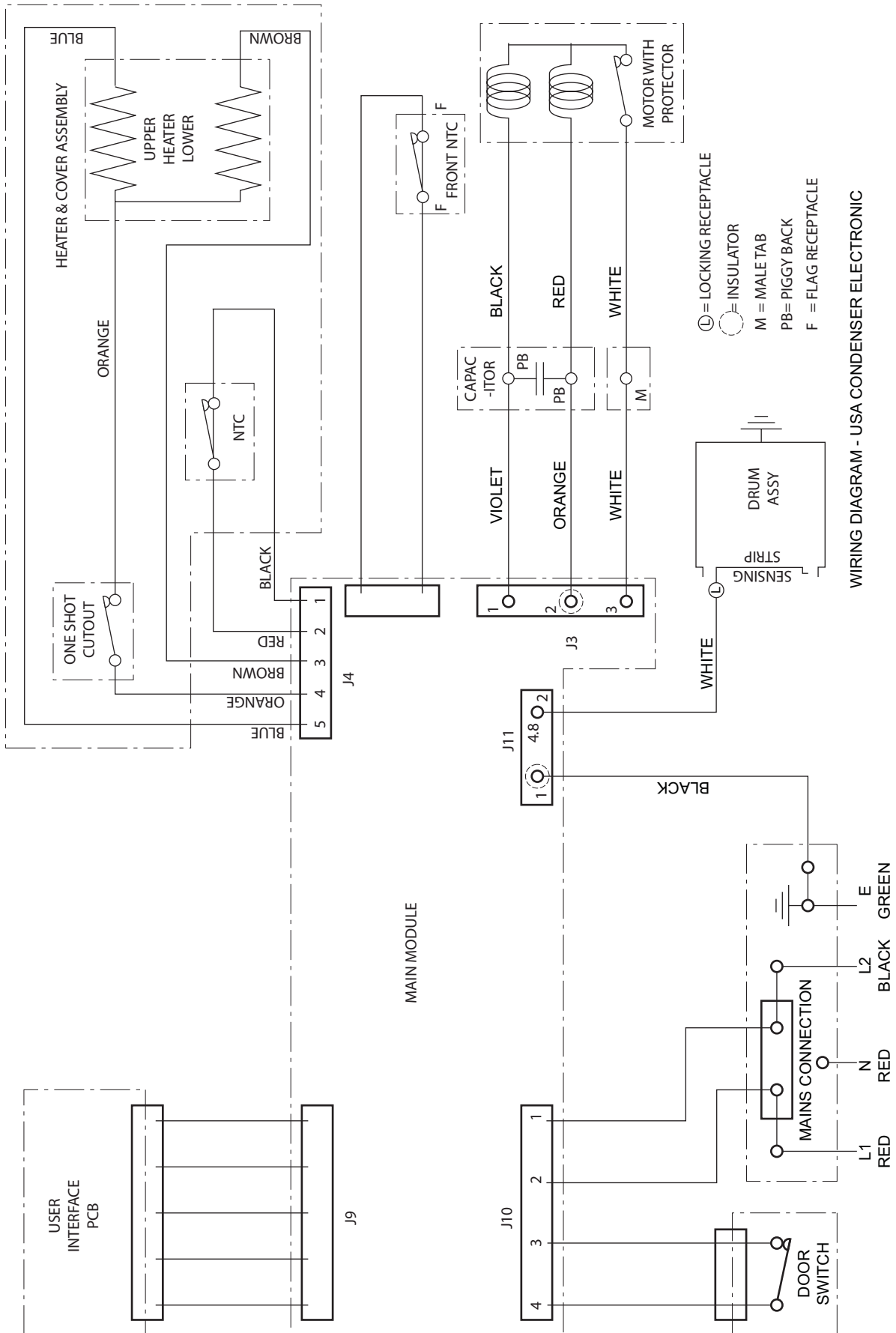
Item	Part #	Description	Item	Part #	Description
1	142671	Top Panel, Platinum	6	142494	Lens, Control Panel
2	142493	Button Assembly, Platinum	7	142698	Light Guide, On / Off
3	142700	Light Guide, Function	8	142492	On / Off Button, Platinum
4	113982	Program Board	9	142696	Control Panel, Platinum
5	142699	Light Guide, Cycle	10	142697	Control Knob, Platinum



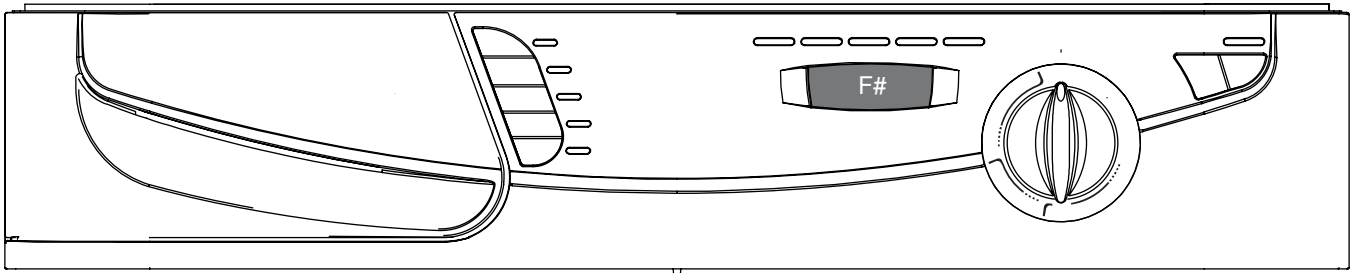
Item	Part #	Description	Item	Part #	Description
1	142613	Seal, Drum Front	10	142615	Door Switch
2	142612	Vent Tube	11	142505	Toe Kick, Platinum
3	112144	Bearing Pads	12	142614	Door Seal
4	142702	Thermostat	13	112192	Door Glass
5	142676	Front Panel, Platinum	14	113819	Seal, Door Glass
6	112193	Door Hinges	15	142526	Outer Door, Platinum
7	142610	Filter	16	142527	Inner Door, Platinum
8	141612	Strip, Dryness Sensor	17	142619	Door Latch
9	142620	Air Duct Assembly	18	142507	Door Handle, Platinum



Item	Part #	Description	Item	Part #	Description
1	142638	Tumbler	17	142704	Thermostats
2	142680	Main Plug	18	095553	Bearing Cover
3	142684	Terminal Block	19	142632	Adapter, Vent Hose
4	142686	Cover, Terminal Block	20	116328	Heater Cover
5	142685	Box, Terminal Block	21	116327	Outer Fan
6	142689	Nut, Main Plug	22	112153	Inner Fan
7	142687	Sleeve, Main Plug	23	142621	Base
8	142688	Bushing, Main Plug	24	142622	Foot
9	113038	Drum Spacer Kit	25	110041	Motor Capacitor
10	095565	Bracket, Rear Bearing	26	142717	Control Board (must also order 142719)
11	142628	Drum Bearing, Rear	27	142719	EEPROM (must also order 142717)
12	142631	Collar, Drum Shaft	28	142707	Cap
13	142627	Rear Panel	29	142677	Motor
14	095551	Pin	30	113823	Foam Seal
15	095552	Grounding Strip	31	112156	Belt
16	142703	Heater Assembly	32	142626	Drum



WIRING DIAGRAM - USA CONDENSER ELECTRONIC


**F1. Motor Triac Short**

Check Continuity of Motor.  
 Check Motor / Control Board Wiring Connections.  
 Replace Control Board and EEPROM.  
 Or, Replace Motor.

**F2. Main Motor**

Check Motor Rotation.  
 Check Continuity of Motor.  
 Check Motor / Control Board Wiring Connections.  
 Check Fan Blades for Blockage  
 Replace Motor.  
 Or, Replace Control Board and EEPROM.

**F3. Front NTC Open / Short**

Check Wiring Continuity to Control Board.  
 Check NTC for 500K ohms, Replace NTC.  
 Or, Replace Control Board and EEPROM.

**F4. Not Used**
**F5. Not Used**
**F6. Not Used**
**F7. Not Used**
**F8. Heater Relay Shorted**

Check Wiring Continuity at Control Board.  
 Check Continuity of Heating Element – 48 ohms.

**F9. EEPROM Error**

Incorrect Version of EEPROM.  
 Change EEPROM.

**F10. Heating Element Open or High Limit Cut Out**

Check Continuity of Heating Element – 48 ohms.  
 Check Continuity of High Limit Cut Out.  
 Check Wiring Continuity at Control Board.

**F11. Not Used**
**F12. No Communication Between Display and Control Board**

Check Wiring Continuity.  
 Voltage Check from Control Board to Display.

**F13. Rear NTC Open or Shorted**

Check Wiring Continuity to Control Board.  
 Check NTC for 500K ohms, Replace NTC.  
 Or, Replace Control Board and EEPROM.

**F14. Not Used**
**F15. Heater**

Check Wiring Continuity at Control Board.  
 Check Continuity of Heating Element – 48 ohms.

**F16. Not Used**
**F17. Control Board Main Relay**

Replace Control Board and EEPROM.

**F18. Not Used**