

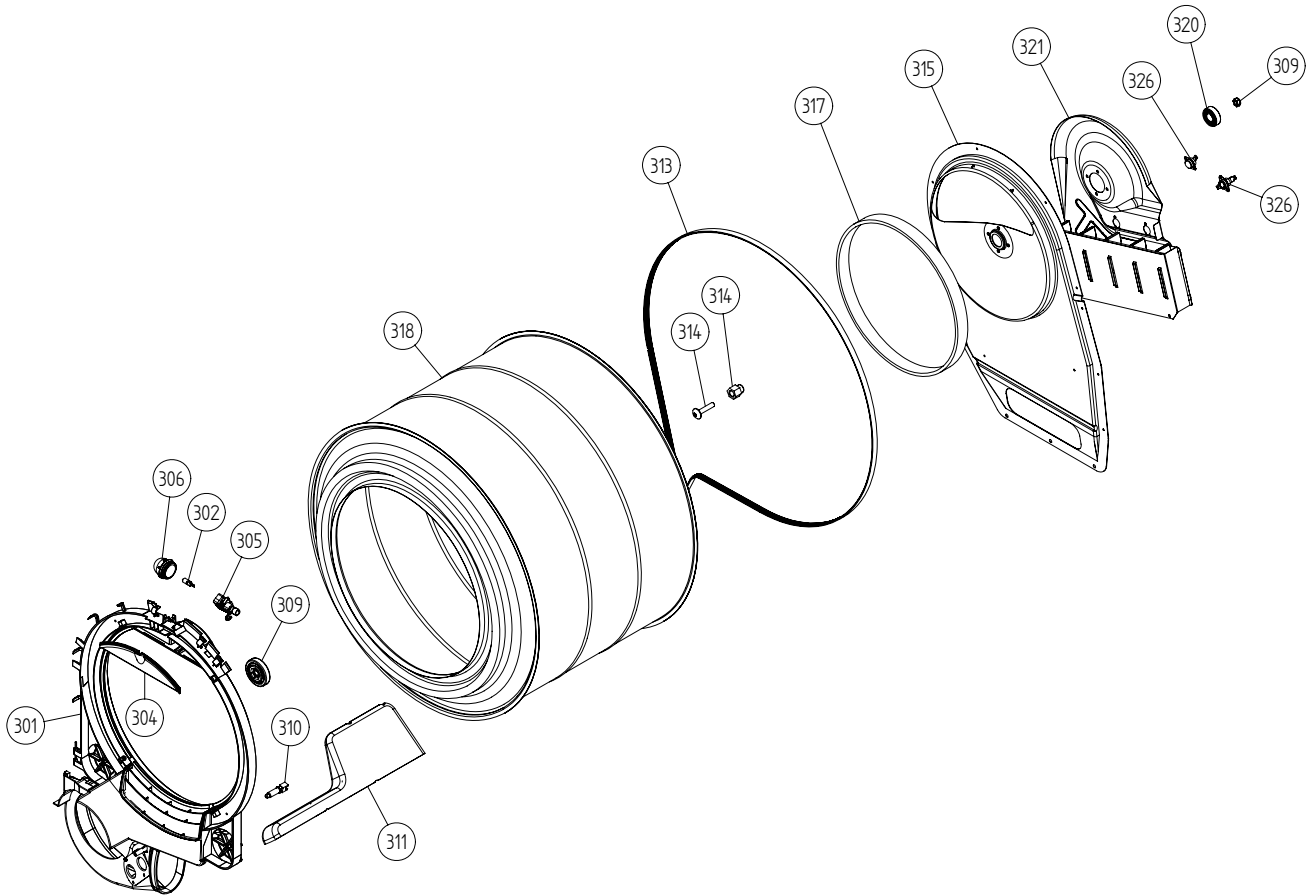
Spare Parts Catalogue

ASKO Tumble Dryers \ ASKO 700 Series
Type: TD60.3
Model: T793 FI US Titanium FI

Prod. No: 10779336
January 5th 2012

ASKO Appliances Inc.

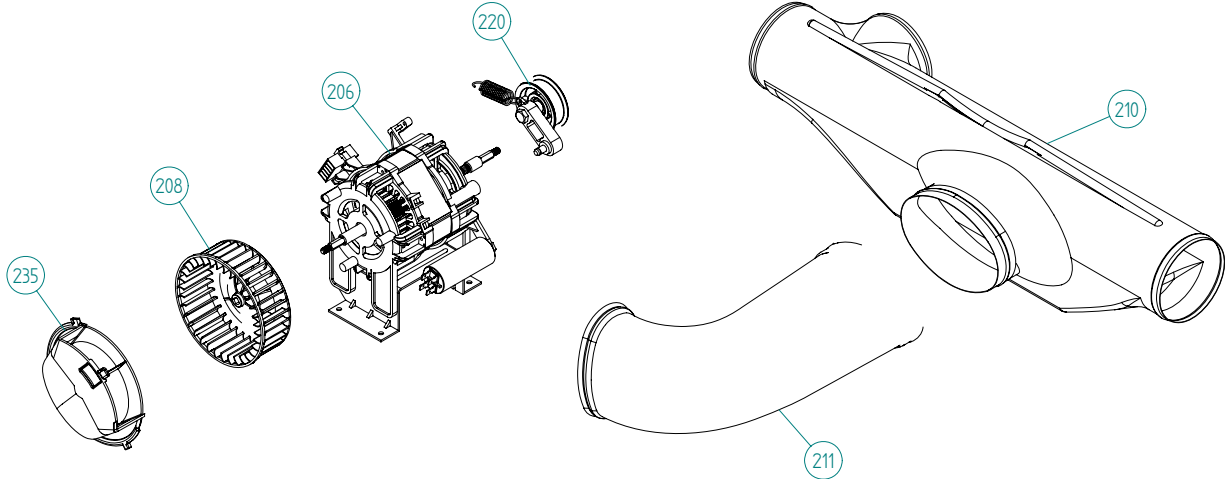
4001 E Plano Parkway #1004001 E Plano Parkway #100
Plano, Texas 75074



Cylinder and related parts

ASKO, T793 FI US - Titanium FI (TD60.3)

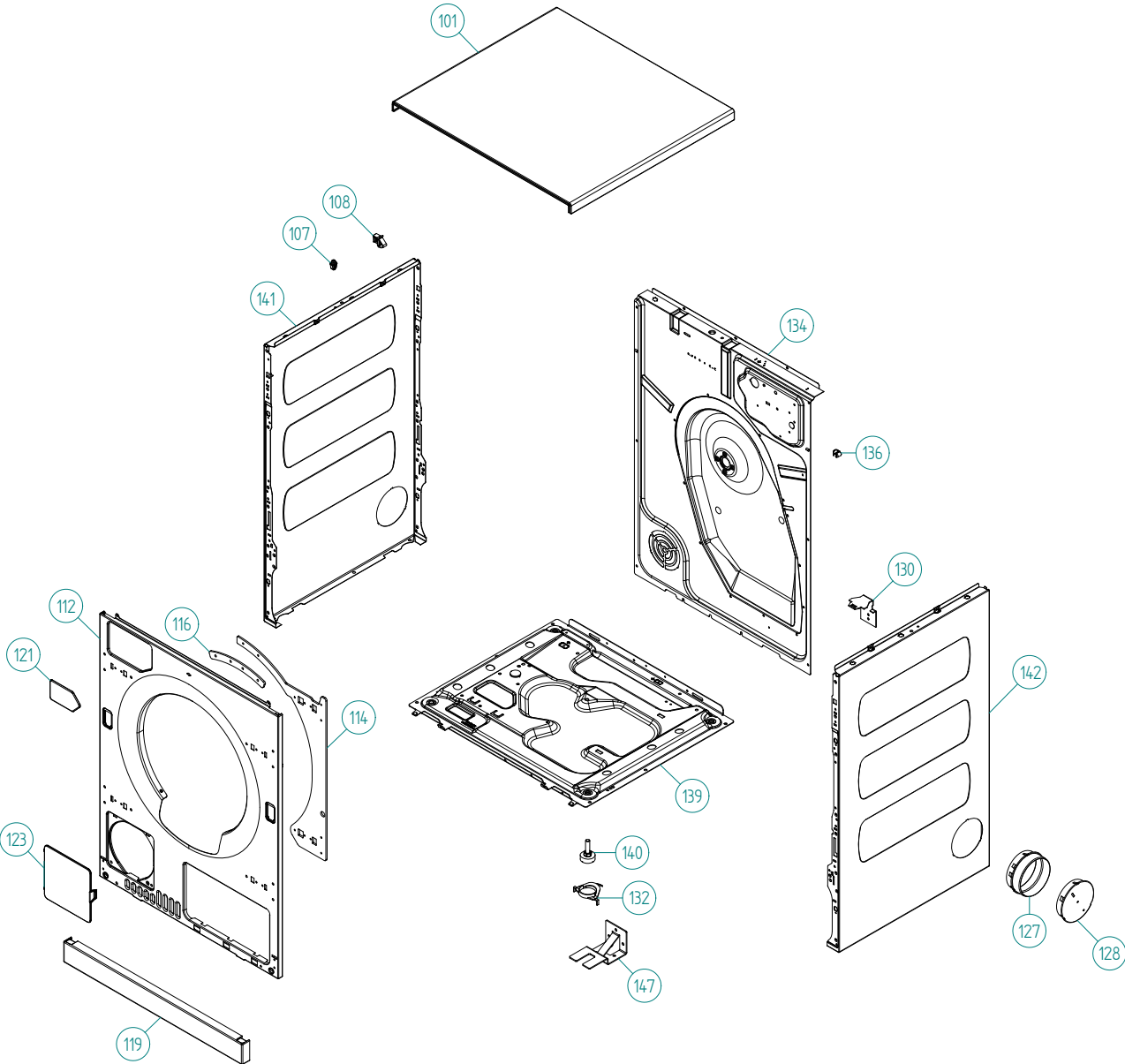
Pos	Spare part No.	Description	Qty	Comment
301	8801322	Front Frame Compl TD60	1 Pc's	
301-a	8902066	SCREW A2-PTK 35X14 WN1453 PF	4 Pc's	
302	8073830	Halogen Lamp	1 Pc's	
304	8061932-49	Lamp housing lid grey TD21	1 Pc's	
305	8077518	LAMP SOCKET	1 Pc's	
306	8061887	Lamp Chimney	1 Pc's	
309	8052622	Drum Roller Frt TD	2 Pc's	
309-a	8901337	Washer	2 Pc's	
309-b	8901193	Locking Nut	2 Pc's	
309-c	8901028	Screw	2 Pc's	
310	8076224	THERMISTOR REPL.BY 8083344	1 Pc's	
311	8052589-49	PADDLE TD	2 Pc's	
311-a	8902099	Screw	5 Pc's	
313	8801490	Tension Arm w/Belt & Spring	1 Pc's	
314	8052632	Bushing Rear Drum 03/05 TD	1 Pc's	
314-a	8901130	SCREW A4-MVBF M8X40 7,9-8,0 HG	1 Pc's	
315	8076335	REAR PANEL INNER TD25	1 Pc's	
317	8064440	Felt sealing rear	1 Pc's	
318	8079449	CYLINDER COMPL TD	1 Pc's	
318	8079493	CYLINDER COMPL. TD	1 Pc's	
320	8004439	Bearing Dryer Rear Panel All	1 Pc's	
321	8079288	HEATING ELEMENT 3000W	1 Pc's	
321-a	8900369	Screw T25	2 Pc's	
321-b	8901415	LOCK WASHER AZ 5.3 GALV	2 Pc's	
326	8079291	THERMISTOR	1 Pc's	
326	8079737	THERMOSTAT 150C UL	1 Pc's	
326-a	8900327	Screw 20 Torx Self Tapping	1 Pc's	



Lower session

ASKO, T793 FI US - Titanium FI (TD60.3)

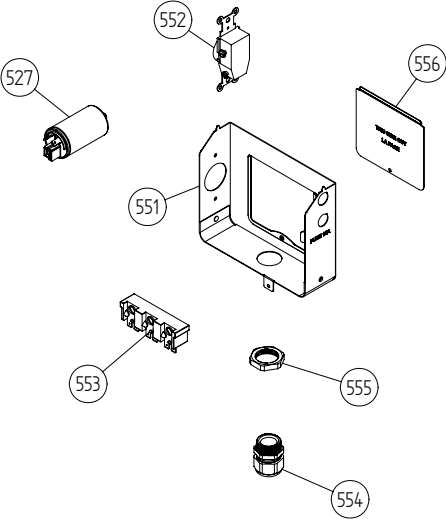
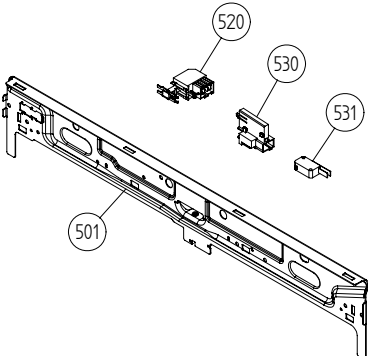
Pos	Spare part No.	Description	Qty	Comment
206	8061895	MOTOR COMPL. 60HZ TD20	1 Pc's	
206-a	8901969	SCREW MRT-TT 5x12 FZB T20	4 Pc's	
206-b	8080119	Capacitor 8UF 450V-Dryer Motor	1 Pc's	
206-c	8054640	CAPACITOR 4UF 400V	1 Pc's	For ACC motor
208	8065797	Fan Impeller 120MM	1 Pc's	
210	8052638	T-Tube w/o Recirc holes	1 Pc's	
211	8052639	Exhaust Canal Bend	1 Pc's	
220	8801490	Tension Wheel w/Belt & Spring	1 Pc's	
235	8077484-49	COVER FOR FAN HOUSING	1 Pc's	



Outer casing

ASKO, T793 FI US - Titanium FI (TD60.3)

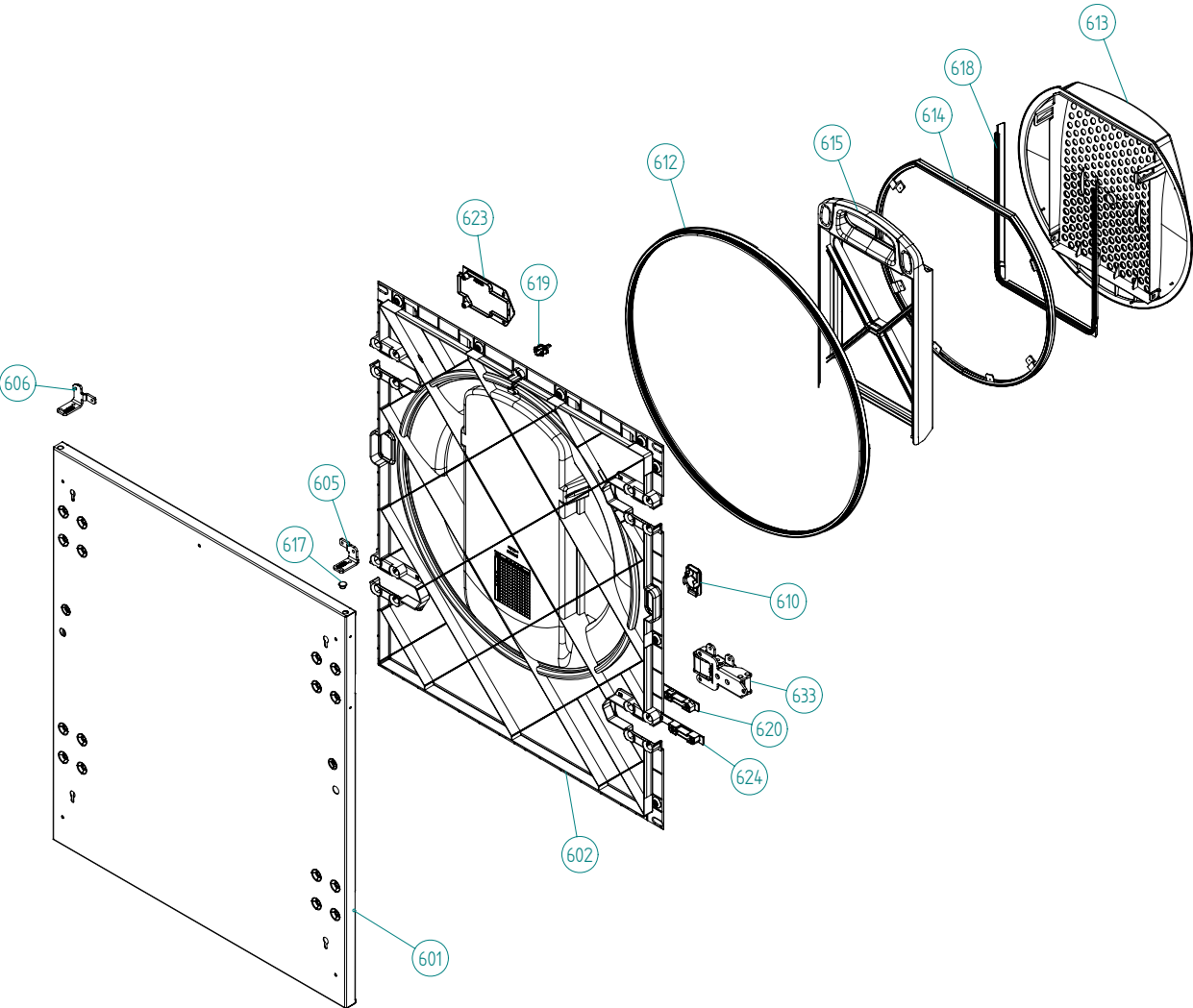
Pos	Spare part No.	Description	Qty	Comment
101	8061817-81	Top WM50 titanium	1 Pc's	
101-a	8902362	Screw 20 Torx Self Tapping	3 Pc's	
101-b	8901413	Lock Washer laundry tops	2 Pc's	
106	8801175-81	Side left titanium TD30	1 Pc's	
107	8061763	Clip Front Plate 600700s	2 Pc's	
108	8061916	CABLE HOLDER WMD20	2 Pc's	
112	8076031-P-81	FRONT	1 Pc's	
112-a	8902362	Screw 20 Torx Self Tapping	2 Pc's	
112-b	8900327	Screw 20 Torx Self Tapping	4 Pc's	
114	8080103	REINFORCEMENT INTEGRATED	2 Pc's	
116	8080104	REINFORCEMENT JOINT INTEGRATED	1 Pc's	
119	8076080-81	PLINTH	1 Pc's	
121	8077498-81	COVER FOR FRONT INTEGRATED	2 Pc's	
123	8076075-81	COVER FOR FAN HOUSING	1 Pc's	
127	8052641	Collar Vent Exhaust TD	1 Pc's	
128	8052640-81-UL	Exhaust lid titanium	2 Pc's	
130	8053980	Stacking Bracket All TDs	2 Pc's	
132	8064114	Pair, Holders, TD Feet/Stacking	1 Pc's	
134	8079947	REAR PANEL OUTER PUNCHED TD25	1 Pc's	
134-a	8902362	Screw 20 Torx Self Tapping	10 Pc's	
136	8061915	Cable Holder T700	1 Pc's	
139	8061618	BASE PAN WMD20	1 Pc's	
140	8059334	Leveling Leg Comp WMD 20	4 Pc's	
141	8801175-81	Side left titanium TD30	1 Pc's	
141	8801176-81	Side Right TD30 titanium	1 Pc's	
142	8801176-81	Side Right TD30 titanium	1 Pc's	
147	8081935	TIP GUARD WMD60	2 Pc's	



Upper session

ASKO, T793 FI US - Titanium FI (TD60.3)

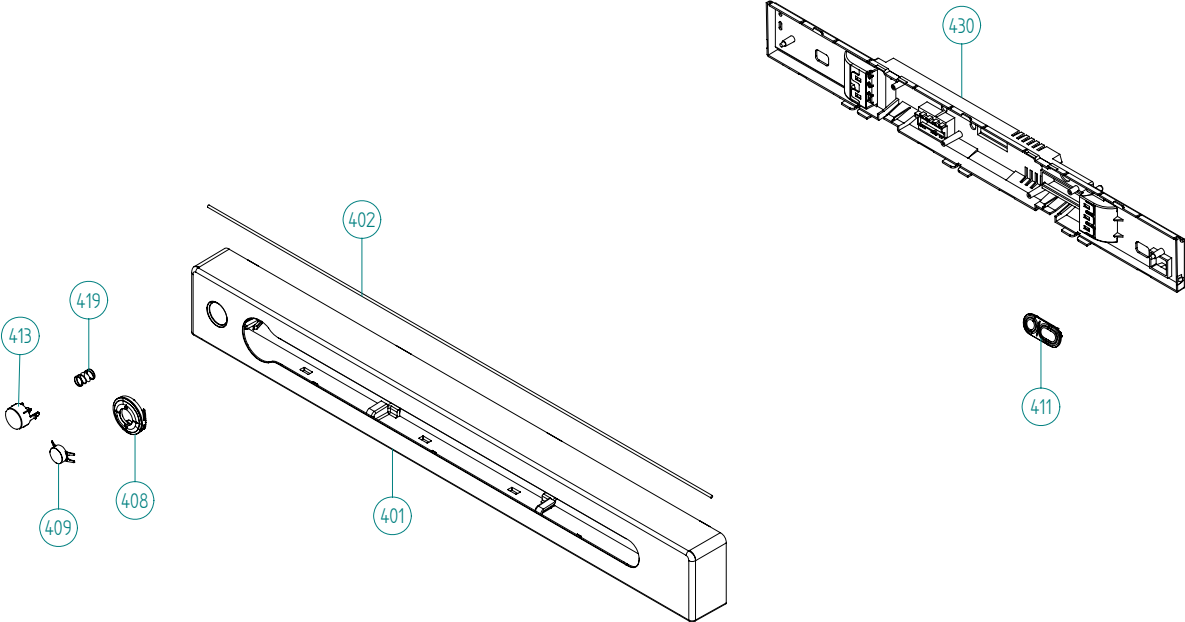
Pos	Spare part No.	Description	Qty	Comment
501	8076029	FRONTBEAM	1 Pc's	
501-a	8902362	Screw 20 Torx Self Tapping	2 Pc's	
501-b	8901413	Lock Washer laundry tops	2 Pc's	
520	8073782	MAIN PUSH SWITCH	1 Pc's	
527	8076202	EMC-FILTER WITH INDUCTOR	1 Pc's	
527-a	8901155	Nut	1 Pc's	
527-b	8901419	Lock Washer	1 Pc's	
529	8079836	CABLE SET P TD UL4	1 Pc's	
529	8079837	CABLE SET T TD UL4	1 Pc's	
529	8079838	CABLE SET BE TD UL4	1 Pc's	
529	8079839	CABLE SET LB TD UL4	1 Pc's	
529	8079841	CABLE SET EL TD UL4	1 Pc's	
529	8079842	CABLE SET MO TD UL4	1 Pc's	
529	8079845	CABLE SET Thermistor TD60	1 Pc's	
529	8079846	GROUNDCHAIN V TD	1 Pc's	
530	8077519	BRACKET FOR DOOR SWITCH	1 Pc's	
531	8073836	MICROSWITCH DOOR	1 Pc's	
551	8076324	Connection box T711	1 Pc's	
552	8061455	Receptacle 05 WMD Connect	1 Pc's	
553	8061891	Terminal Block DryerTD 20	1 Pc's	
554	8078291	GROMMET 94793	1 Pc's	
554	8060462	Grommet	1 Pc's	
555	8060463	Lock Nut	1 Pc's	
556	8063756	Cover Terminal block T700s	1 Pc's	
556-a	8901097	Screw Terminal	1 Pc's	



Outer door

ASKO, T793 FI US - Titanium FI (TD60.3)

Pos	Spare part No.	Description	Qty	Comment
601	8076033-P-81	Outer Door	1 Pc's	
602	8076034-P-49	DOOR INNER PART INTEGRATED	1 Pc's	
605	8077599-81	HINGE UPPER R	1 Pc's	
605-a	8900327	Screw 20 Torx Self Tapping	3 Pc's	
605-b	8901097	Screw Terminal	1 Pc's	
605-c	8061804	HINGE PIN	1 Pc's	
606	8079489-81	HINGE UPPER L	1 Pc's	
606-a	8900327	Screw 20 Torx Self Tapping	3 Pc's	
606-b	8901097	Screw Terminal	1 Pc's	
606-c	8061804	HINGE PIN	1 Pc's	
610	8080934-49	MAGNET LOCK COMPL.	2 Pc's	
612	8077494	DOOR SEALING OUTER	1 Pc's	
613	8079750-49	Filter Holder Complete	1 Pc's	
614	8065274	Filter Bracket Seal TD	1 Pc's	
615	8077490-49	LINT FILTER COMPL.	1 Pc's	
617	8061953-81	door plug titanium	2 Pc's	
618	8079247	SEALING FILTER BRACKET INNER	1 Pc's	
619	8077488-49	DOOR PIN	1 Pc's	
620	8077512-49	COVER 2 HINGE INNER DOOR INTE.	2 Pc's	
623	8077499-49	COVER FOR INNER DOOR INTEGR.	1 Pc's	
623-a	8902072	SCREW PT KB40X10 WN1442 GALV	1 Pc's	
624	8077500-49	COVER 1 HINGE INNER DOOR INTE.	2 Pc's	
633	8077497	HINGE INTEGRATED	1 Pc's	
633-a	8079877	SCREW MFT 8.8 M5X10 FZB	3 Pc's	
633-b	8902133	Screw	4 Pc's	



Control panel

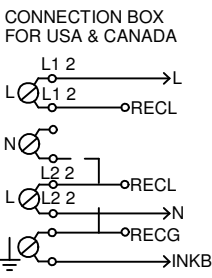
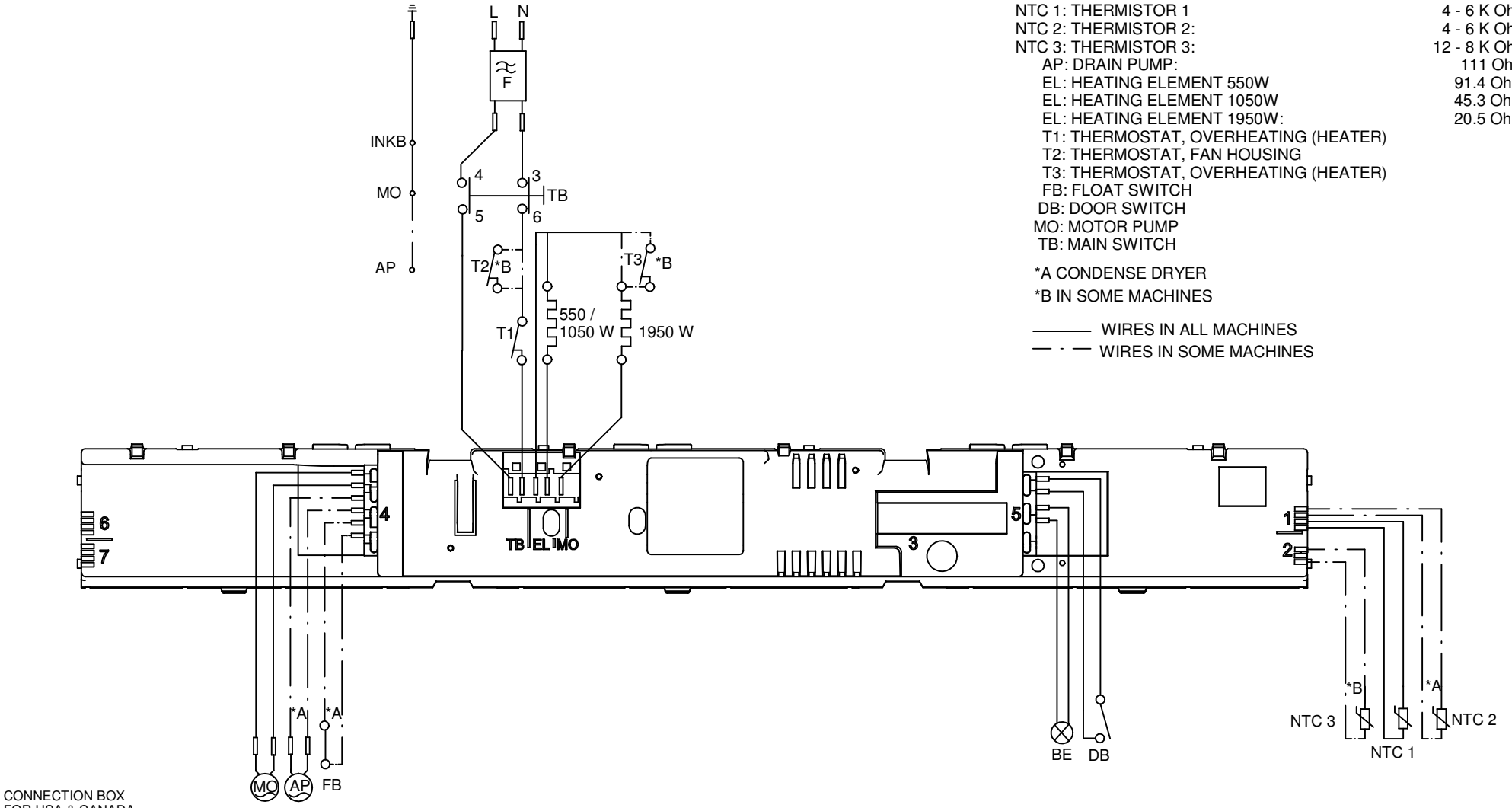
ASKO, T793 FI US - Titanium FI (TD60.3)

Pos	Spare part No.	Description	Qty	Comment
401	8081214-81-UL	PANEL T793 FI ASKO CE	1 Pc's	
402	8079749	Rubber Seal-Cntrl Panel to Brd	1 Pc's	
408	8080405-81	PUSHBUTTON MENU UL4	1 Pc's	
409	8080406-81	PUSHBUTTON MENU INNER UL4	1 Pc's	
411	8080425-81	PUSHBUTTON START/STOP INT. TD	1 Pc's	
413	8080401-81	PUSHBU. MAIN SWITCH INTEGR.UL4	1 Pc's	
419	8079897	SPRING PUSHBUTTON MAIN SWITCH	1 Pc's	
430	8801328	CONTROL UNIT TD60.3 FI	1 Pc's	

RESISTANCES AT ROOM TEMPERATURE (CA. 20°C/68°F)
 VALUES WITH +/-10% ARE REGARDED AS NORMAL
 COMPONENT

- F: RADIO INTERFERENCE SUPPRESSION FILTER 680K Ohm
- NTC 1: THERMISTOR 1 4 - 6 K Ohm
- NTC 2: THERMISTOR 2: 4 - 6 K Ohm
- NTC 3: THERMISTOR 3: 12 - 8 K Ohm
- AP: DRAIN PUMP: 111 Ohm
- EL: HEATING ELEMENT 550W 91.4 Ohm
- EL: HEATING ELEMENT 1050W 45.3 Ohm
- EL: HEATING ELEMENT 1950W: 20.5 Ohm
- T1: THERMOSTAT, OVERHEATING (HEATER)
- T2: THERMOSTAT, FAN HOUSING
- T3: THERMOSTAT, OVERHEATING (HEATER)
- FB: FLOAT SWITCH
- DB: DOOR SWITCH
- MO: MOTOR PUMP
- TB: MAIN SWITCH

*A CONDENSE DRYER
 *B IN SOME MACHINES
 — WIRES IN ALL MACHINES
 - - - WIRES IN SOME MACHINES



CIRCUIT DIAGRAM TD60.3

80 788 72 - 01

This document must not be copied without our written permission, and the contents thereof must not be imparted to a third party nor be used for any unauthorized purpose. Contravention will be prosecuted.
 Asko Cylinda AB