



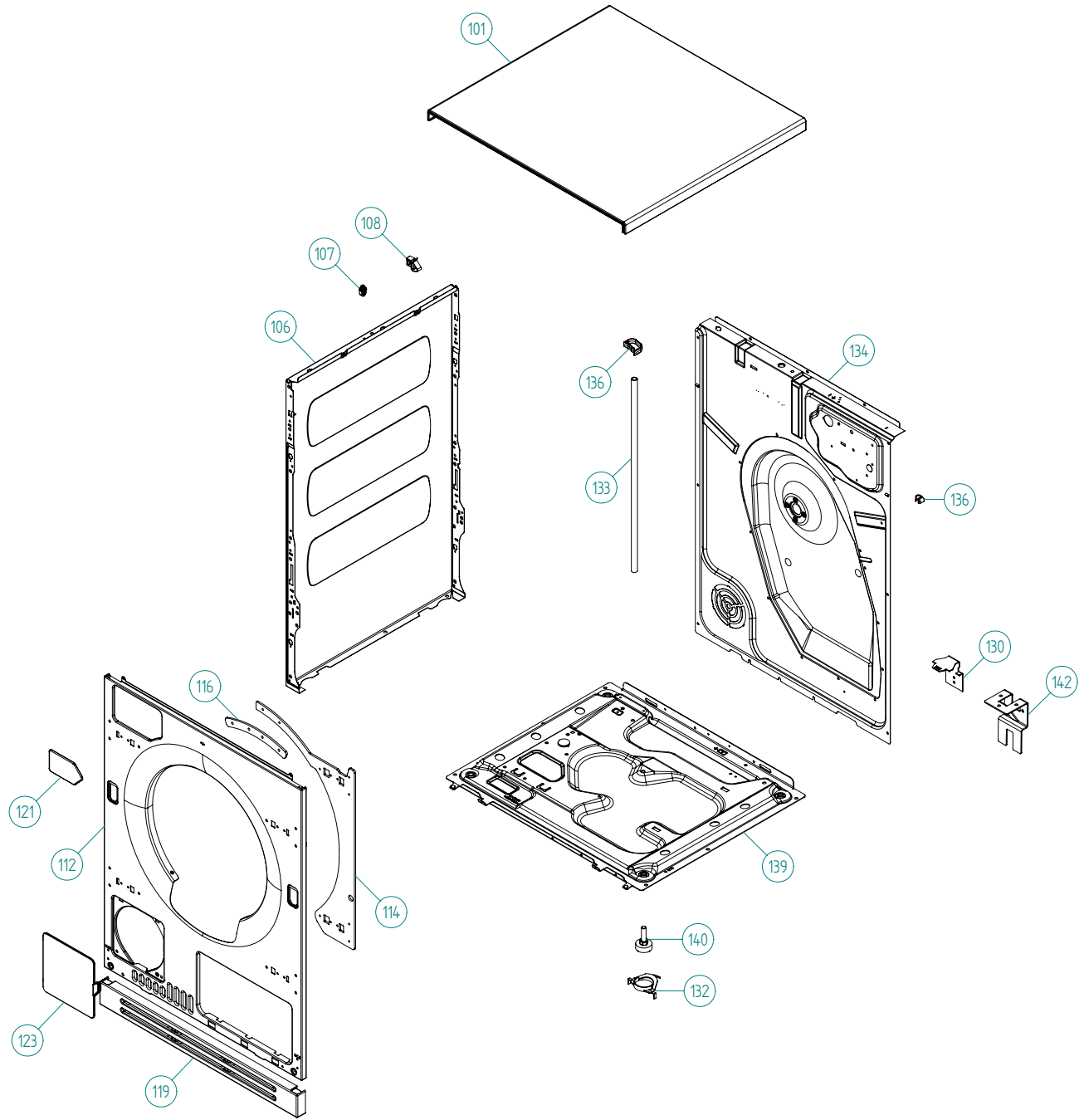
Spare Parts Catalogue

Tumble Dryers \ ASKO 700 Series
Type: TD60.3
Model: T793C FI US FI

Prod. No: 10779346
February 11th 2009

ASKO Appliances Inc.

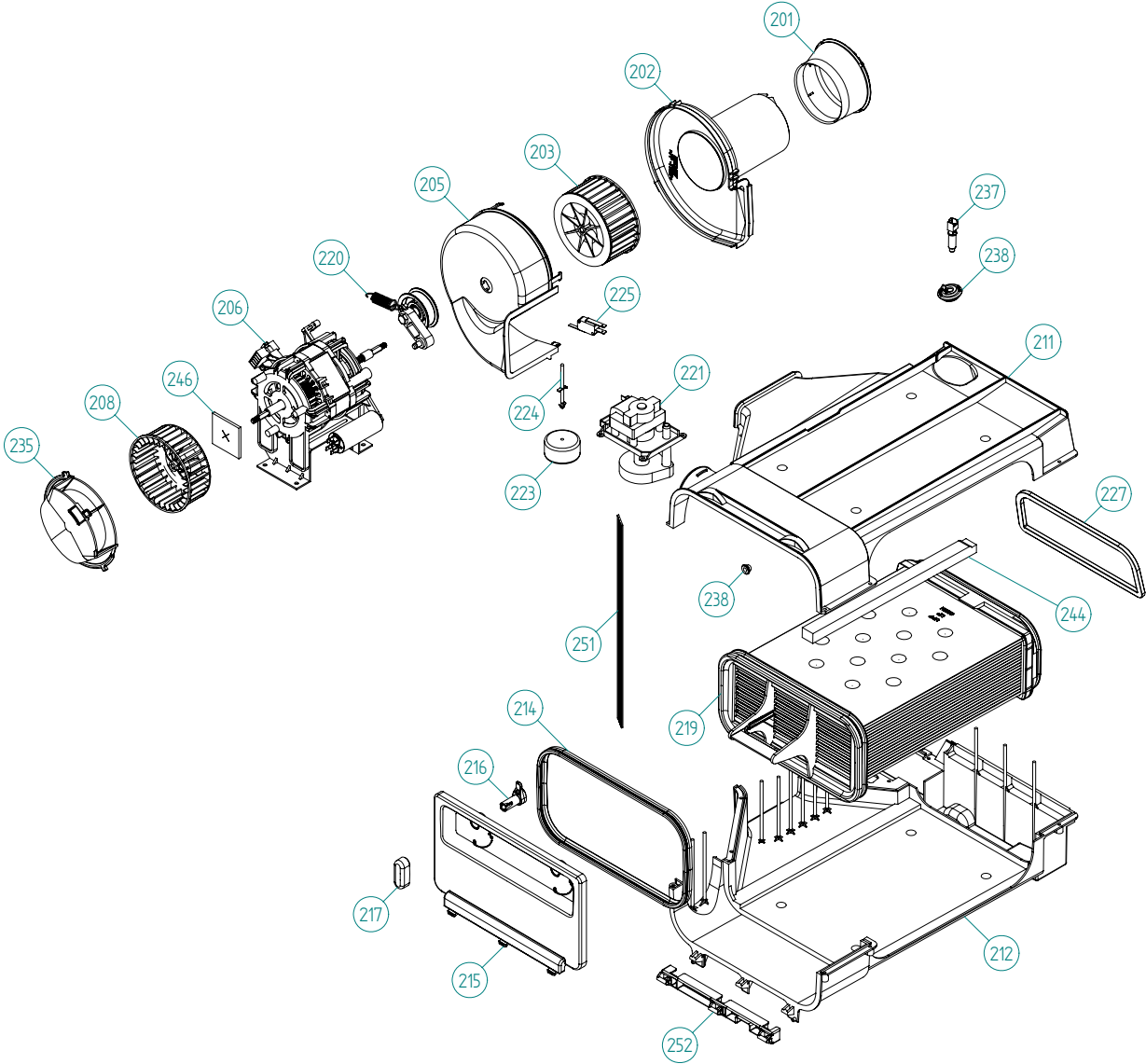
4001 E Plano Parkway #1004001 E Plano Parkway #100
Plano, Texas 75074



Outer casing

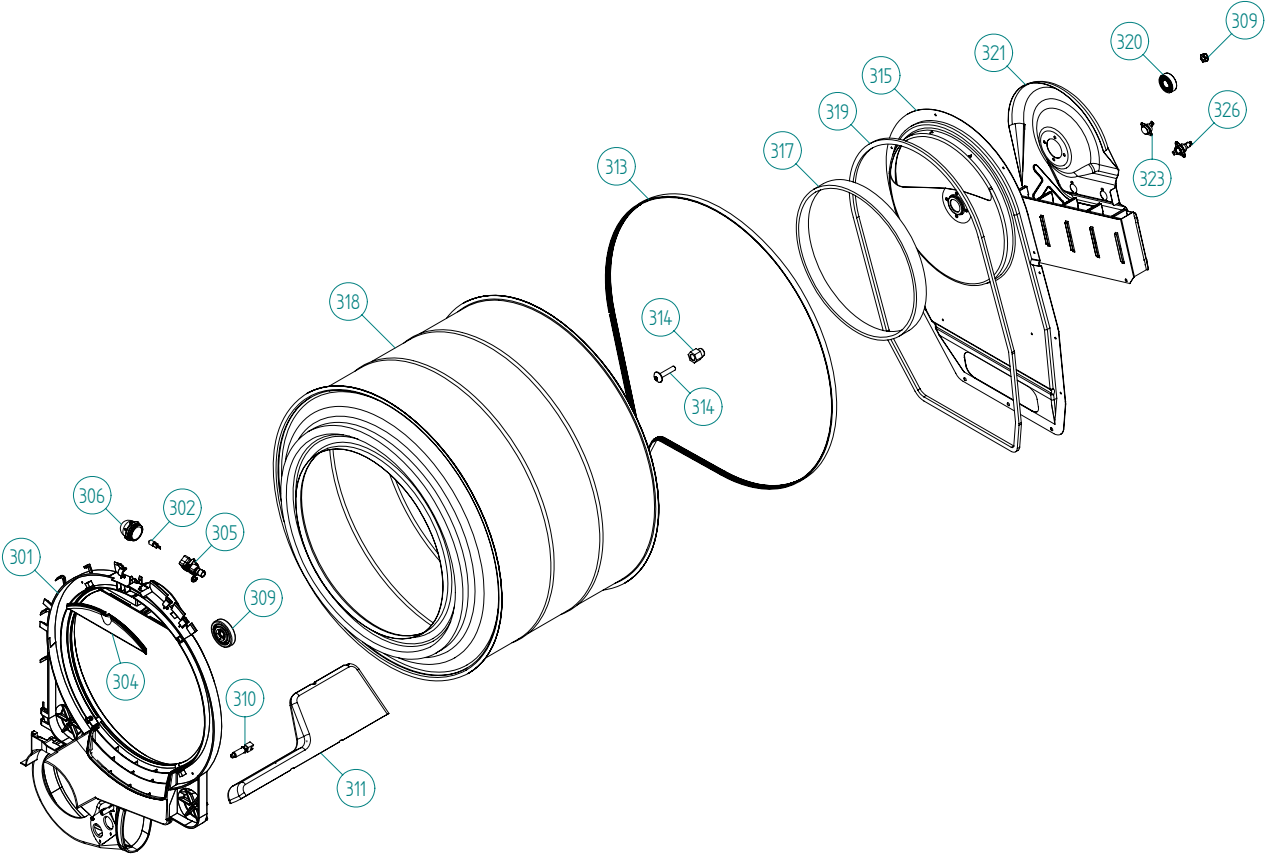
ASKO, T793C FI US - FI (TD60.3)

Pos	Spare part No.	Description	Qty	Comment
101	8061817-81	Top WM50 titanium	1 Pc's	
101-a	8900338	Screw 20 Torx Self Tapping	3 Pc's	
101-b	8901413	Lock Washer laundry tops	2 Pc's	
106	8801174-81	Side WM50 titanium	2 Pc's	
107	8061763	Clip Front Plate 600700s	2 Pc's	
108	8061916	CABLE HOLDER WMD20	2 Pc's	
112	8076031-HP-81	FRONT	1 Pc's	
112-a	8900338	Screw 20 Torx Self Tapping	2 Pc's	
112-b	8900327	Screw 20 Torx Self Tapping	4 Pc's	
114	8080103	REINFORCEMENT INTEGRATED	2 Pc's	
116	8080104	REINFORCEMENT JOINT INTEGRATED	1 Pc's	
119	8077511-81	PLINTH CONDENSER	1 Pc's	
121	8077498-81	COVER FOR FRONT INTEGRATED	2 Pc's	
123	8076075-81	COVER FOR FAN HOUSING	1 Pc's	
130	8053980	Stacking Bracket All TDs	2 Pc's	Sold by the each
132	8064114	Pair, Holders, TD Feet/Stacking	1 Pc's	
133	8054733	Rubber Hose Accy Drain Cond	1 Pc's	
134	8076336	REAR PANEL OUTER rpl by 8076336-A	1 Pc's	
134-a	8900338	Screw 20 Torx Self Tapping	10 Pc's	
136	8079928	HOSE FRAME	2 Pc's	
136	8061915	Cable Holder T700	1 Pc's	
139	8061618	BASE PAN WMD20	1 Pc's	
140	8059334	Leveling Leg Comp WMD 20	4 Pc's	
142	8081935	TIP GUARD WMD60	2 Pc's	



Lower session**ASKO, T793C FI US - FI (TD60.3)**

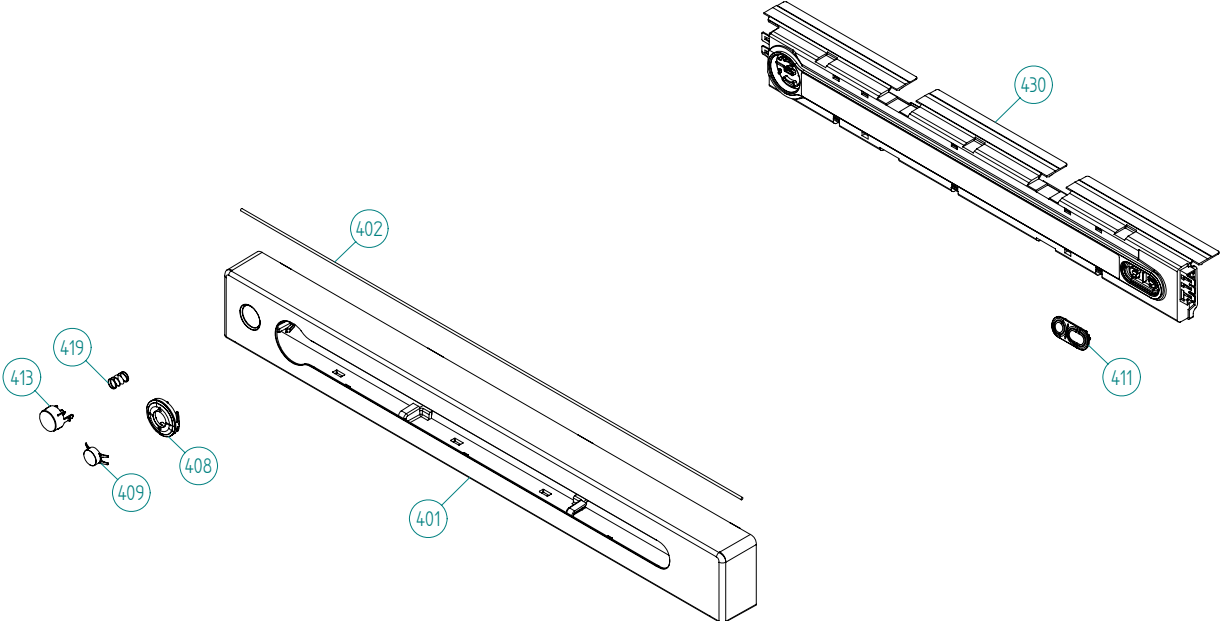
Pos	Spare part No.	Description	Qty	Comment
201	8061940	Air Canal	1 Pc's	
202	8052637	ExFan Inlet	1 Pc's	
203	8061960	Fan Impeller 700 Series	1 Pc's	
205	8052636	ExFan Motor	1 Pc's	
206	8061895	MOTOR COMPL. 60HZ TD20	1 Pc's	
206-a	8901969	Screw	4 Pc's	
206-b	8080119	CAPACITOR 8UF 450V P2 CLASS	1 Pc's	
208	8055200	Blower Dryer Front All	1 Pc's	
208-a	8901192	Locking Nut WM 03/05	1 Pc's	
211	8080061	CONDENSER HOUSE UPPER /2 UL4	1 Pc's	
211-a	8902087	Screw Plastic Housing 20 Torx	7 Pc's	
212	8080060	CONDENSER HOUSE LOWER /2 UL4	1 Pc's	
212-a	8902087	Screw Plastic Housing 20 Torx	3 Pc's	
214	8081575	SEALING CONDENSER LID	1 Pc's	
215	8077505-81	CONDENSER LID	1 Pc's	
216	8077508-49	LOCK CATCH CONDENSER LID	2 Pc's	
216-a	8902085	Screw 20T for Plastic	2 Pc's	
217	8077507-49	KNOB CONDENSER LID	2 Pc's	
217-a	8902085	Screw 20T for Plastic	2 Pc's	
219	8063752	CONDENSER SET COMPLETE	1 Pc's	
220	8801214	Idler Arm Comp 02/05 TD Repl	1 Pc's	
221	8801194	Drain Pump Condenser 03/05 TD	1 Pc's	
221-a	8902087	Screw Plastic Housing 20 Torx	3 Pc's	
223	8053056	Float Condenser Dryers	1 Pc's	
224	8053098	Float Pin	1 Pc's	
225	8076103	MICROSWITCH FLOAT TD25	1 Pc's	
227	8059711	Sponge Rubber Strip	1 Pc's	
235	8077484-49	COVER FOR FAN HOUSING	1 Pc's	
237	8076224	THERMISTOR	1 Pc's	
238	8076365	GROMMET THERMISTOR	1 Pc's	
238	8081659	GROMMET SR1702 10X6X1,5	4 Pc's	
244	8063905	SEALING STRIP CONDENSER SET	2 Pc's	
246	8058323	SHAFT SEAL DRYER	1 Pc's	
251	8079494	SEALING STRIP PUSH FIT	1 Pc's	
252	8077495-49	HINGE FOR CONDENSER LID	1 Pc's	



Cylinder and related parts

ASKO, T793C FI US - FI (TD60.3)

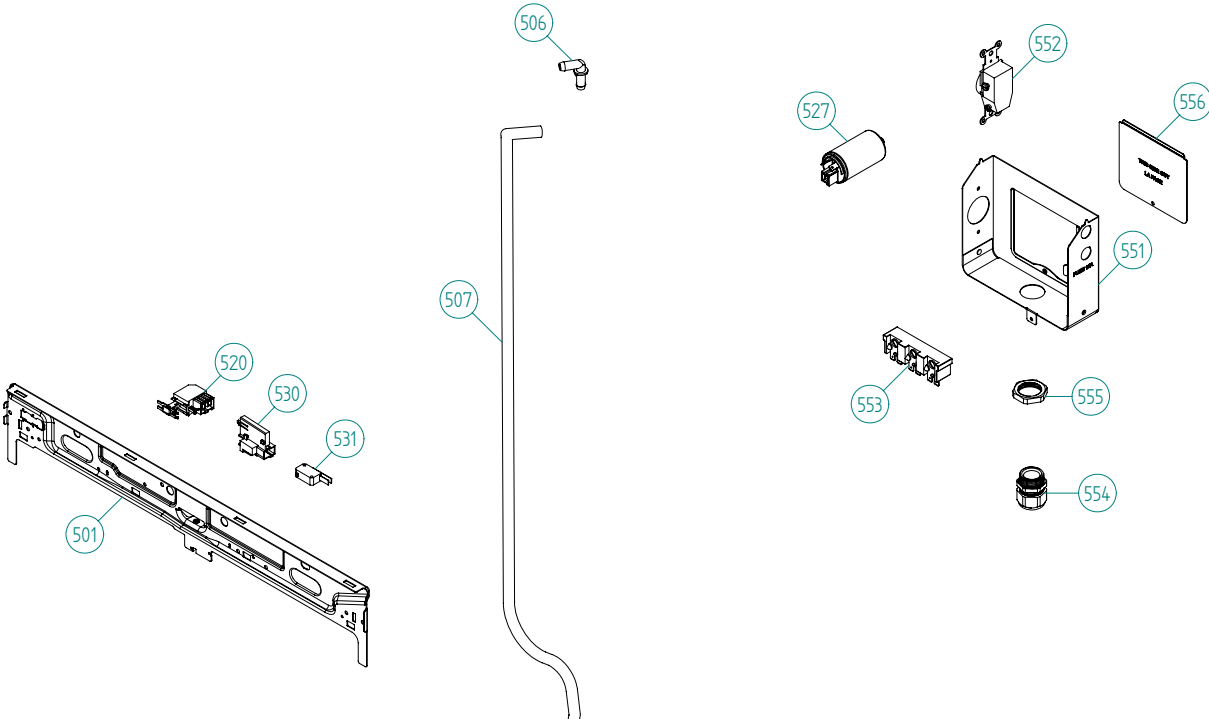
Pos	Spare part No.	Description	Qty	Comment
301	8801322	FRONT FRAME COMPL. TD60	1 Pc's	
301-a	8902066	SCREW A2-PTK 35X14 WN1453 PF	4 Pc's	
302	8073830	Halogen Lamp	1 Pc's	
304	8061932-49	Lamp housing lid grey TD21	1 Pc's	
305	8077518	LAMP SOCKET	1 Pc's	
306	8061887	Lamp Chimney	1 Pc's	
309	8052622	Drum Roller Frt TD	2 Pc's	
309-a	8901337	Washer	2 Pc's	
309-b	8901193	Locking Nut	2 Pc's	
309-c	8901028	Screw	2 Pc's	
310	8076224	THERMISTOR	1 Pc's	
311	8052589-49	PADDLE TD	2 Pc's	
311-a	8902099	Screw	5 Pc's	
313	8065710	Belt - Repl by 8801267	1 Pc's	
313	8801267	KIT DRIVEBELT+TENSIONER SPRING	1 Pc's	
314	8052632	Bushing Rear Drum 03/05 TD	1 Pc's	
314-a	8901130	SCREW A4-MVBF M8X40 7,9-8,0 HG	1 Pc's	
315	8076335	REAR PANEL INNER TD25	1 Pc's	
317	8064440	Felt sealing rear	1 Pc's	
318	8079449	CYLINDER COMPL. TD	1 Pc's	
318	8079493	CYLINDER COMPL. TD	1 Pc's	
319	8059712	Rubber Strip	1 Pc's	
320	8004439	Bearing Dryer Rear Panel All	1 Pc's	
321	8079287	HEATING ELEMENT 2500W	1 Pc's	
321-a	8900369	Screw T25	2 Pc's	
321-b	8901415	LOCK WASHER AZ 5,3 GALV	2 Pc's	
323	8079291	THERMISTOR	1 Pc's	
323-a	8900327	Screw 20 Torx Self Tapping	1 Pc's	
326	8079737	THERMOSTAT 150C UL	1 Pc's	



Control panel

ASKO, T793C FI US - FI (TD60.3)

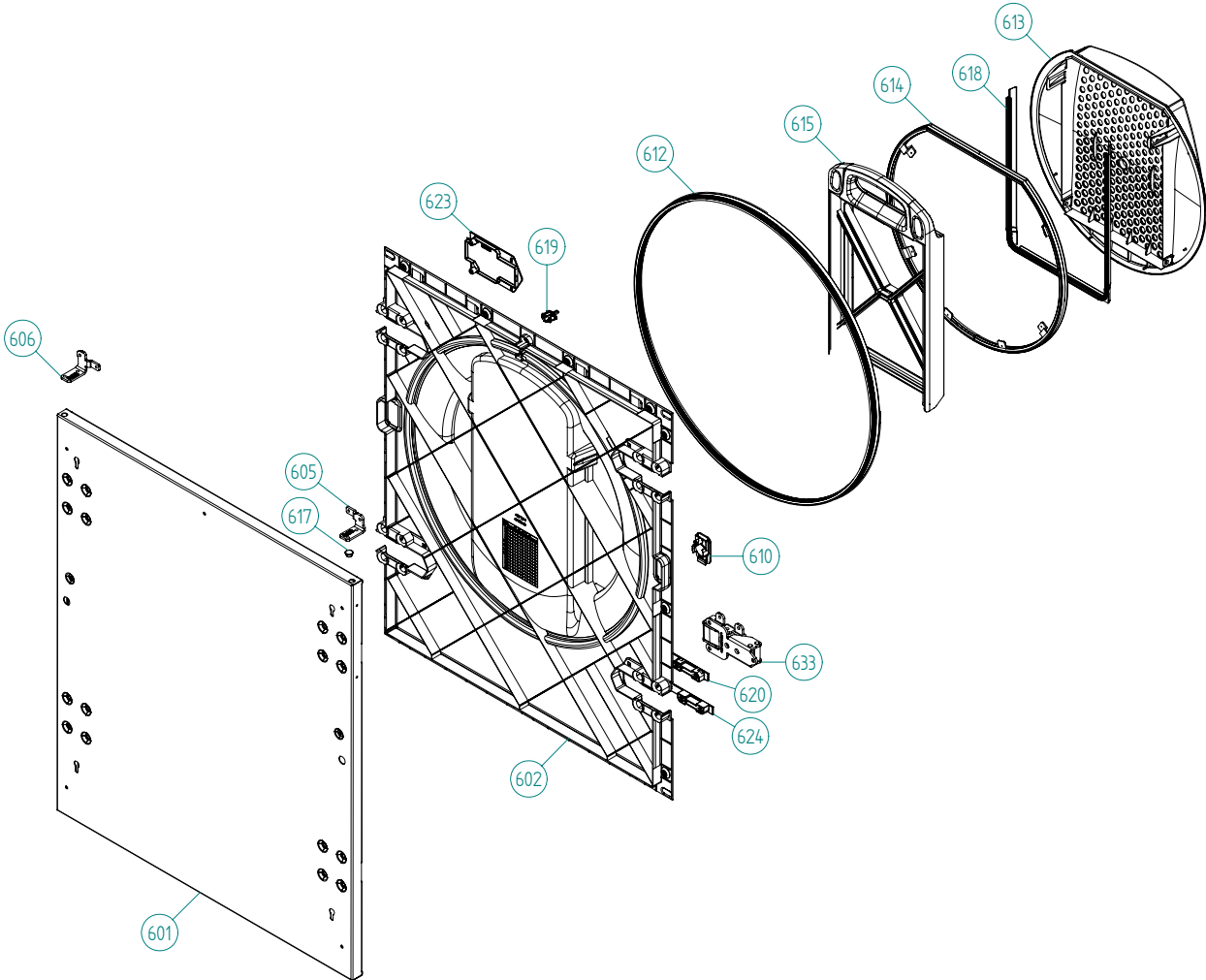
Pos	Spare part No.	Description	Qty	Comment
401	8080424-81-UL	PANEL T793C FI ASKO CE	1 Pc's	
402	8079749	O-RING CORD CELLULAR RUBBER	1 Pc's	
408	8080405-81	PUSHBUTTON MENU	1 Pc's	
409	8080406-81	PUSHBUTTON MENU INNER	1 Pc's	
411	8080425-81	PUSHBUTTON START/STOP INT. TD	1 Pc's	
413	8080401-81	PUSHBUTTON MAIN SWITCH INTEGR.	1 Pc's	
419	8079897	SPRING PUSHBUTTON MAIN SWITCH	1 Pc's	
430	8801328	CONTROL UNIT CPL. INT. TD60.3	1 Pc's	
490	8083398	INSTRUCT. T793C FI ENG. US/CA	1 Pc's	
490	8083399	INSTRUCT. T793C FI FRA. US/CA	1 Pc's	



Upper session

ASKO, T793C FI US - FI (TD60.3)

Pos	Spare part No.	Description	Qty	Comment
501	8076029	FRONTBEAM	1 Pc's	
501-a	8900338	Screw 20 Torx Self Tapping	2 Pc's	
501-b	8901413	Lock Washer laundry tops	2 Pc's	
506	8054072	NIPPLE WATER HOSE	1 Pc's	
507	8054732	RUBBER HOSE 9X13X900	1 Pc's	
520	8073782	MAIN PUSH SWITCH	1 Pc's	
527	8076202	EMC-FILTER WITH INDUCTOR	1 Pc's	
527-a	8901155	Nut	1 Pc's	
527-b	8901419	Lock Washer	1 Pc's	
529	8079839	CABLE SET LB TD	1 Pc's	
529	8079840	CABLE SET AP FB MO TD	1 Pc's	
529	8079841	CABLE SET EL TD	1 Pc's	
529	8079843	GROUNDCHAIN C TD	1 Pc's	
529	8079844	CABLE SET NTC-C TD	1 Pc's	
529	8083020	CABLE SET BE TD	1 Pc's	
529	8083027	CABLE SET EL TD	1 Pc's	
529	8082571	GROUND CABLE AP BO TD	1 Pc's	
529	8079836	CABLE SET P TD	1 Pc's	
529	8079837	CABLE SET T TD	1 Pc's	
529	8079838	CABLE SET BE TD	1 Pc's	
530	8077519	BRACKET FOR DOOR SWITCH	1 Pc's	
531	8073836	MICROSWITCH DOOR	1 Pc's	
551	8076324	Connection box T711	1 Pc's	
552	8061033	Subs to 8061455	1 Pc's	
553	8061891	Terminal Block DryerTD 20	1 Pc's	
554	8078291	GROMMET 94793	1 Pc's	
554	8060462	Grommet	1 Pc's	
555	8060463	Lock Nut	1 Pc's	
556	8063756	Cover Terminal block T700s	1 Pc's	
556-a	8901097	Screw Terminal	1 Pc's	



Outer door

ASKO, T793C FI US - FI (TD60.3)

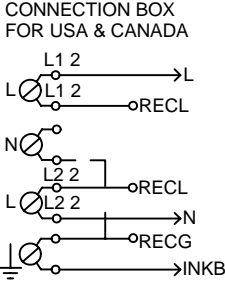
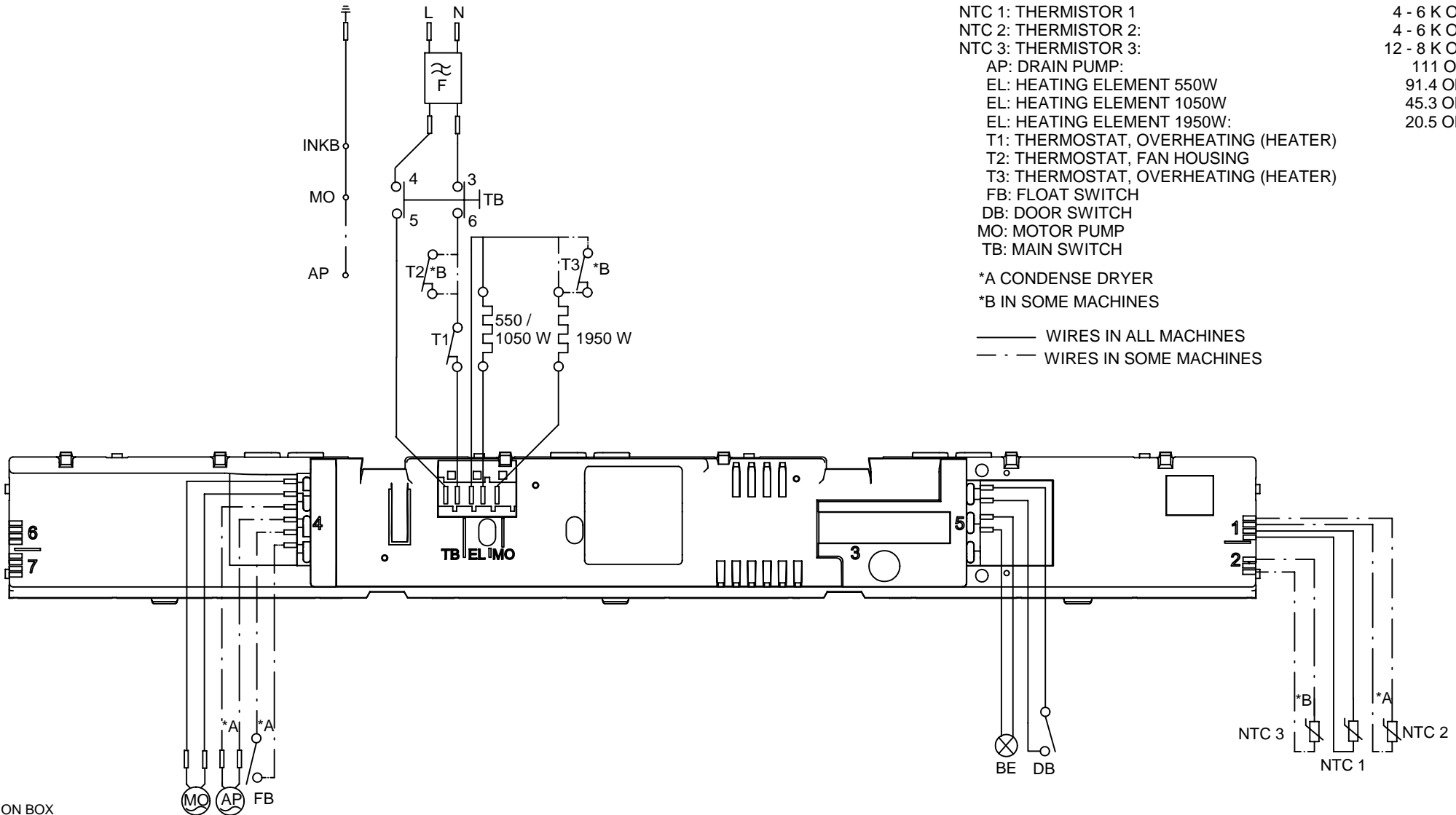
Pos	Spare part No.	Description	Qty	Comment
601	8076033-P-81	OUTER DOOR	1 Pc's	
602	8076034-P-49	DOOR INNER PART INTEGRATED	1 Pc's	
605	8077599-81	HINGE UPPER R	1 Pc's	
605-a	8900327	Screw 20 Torx Self Tapping	3 Pc's	
606	8079489-81	HINGE UPPER L	1 Pc's	
606-a	8900327	Screw 20 Torx Self Tapping	3 Pc's	
610	8080934-49	MAGNET LOCK COMPL.	2 Pc's	
610-a	8902087	Screw Plastic Housing 20 Torx	1 Pc's	
612	8077494	DOOR SEALING OUTER	1 Pc's	
613	8079750-49	FILTER HOLDER COMPL.	1 Pc's	
614	8065274	Filter bracket T711	1 Pc's	
615	8077490-49	LINT FILTER COMPL.	1 St	
617	8061953-81	door plug titanium	2 Pc's	
618	8079247	SEALING FILTER BRACKET INNER	1 Pc's	
619	8077488-49	DOOR PIN	1 Pc's	
620	8077512-49	COVER 2 HINGE INNER DOOR INTE.	2 Pc's	
623	8077499-49	COVER FOR INNER DOOR INTEGR.	1 Pc's	
623-a	8902072	Screw	1 Pc's	
624	8077500-49	COVER 1 HINGE INNER DOOR INTE.	2 Pc's	
633	8077497	HINGE INTEGRATED	1 Pc's	
633-a	8079877	SCREW MFT 8.8 M5X10 FZB	3 Pc's	
633-b	8902133	Screw	4 Pc's	

RESISTANCES AT ROOM TEMPERATURE (CA. 20°C/68°F)
 VALUES WITH +/-10% ARE REGARDED AS NORMAL
 COMPONENT

- F: RADIO INTERFERENCE SUPPRESSION FILTER 680K Ohm
- NTC 1: THERMISTOR 1 4 - 6 K Ohm
- NTC 2: THERMISTOR 2: 4 - 6 K Ohm
- NTC 3: THERMISTOR 3: 12 - 8 K Ohm
- AP: DRAIN PUMP: 111 Ohm
- EL: HEATING ELEMENT 550W 91.4 Ohm
- EL: HEATING ELEMENT 1050W 45.3 Ohm
- EL: HEATING ELEMENT 1950W: 20.5 Ohm

- T1: THERMOSTAT, OVERHEATING (HEATER)
- T2: THERMOSTAT, FAN HOUSING
- T3: THERMOSTAT, OVERHEATING (HEATER)
- FB: FLOAT SWITCH
- DB: DOOR SWITCH
- MO: MOTOR PUMP
- TB: MAIN SWITCH

- *A CONDENSE DRYER
- *B IN SOME MACHINES
- WIRES IN ALL MACHINES
- - - WIRES IN SOME MACHINES



CIRCUIT DIAGRAM TD60.3

80 788 72 - 00

This document must not be copied without our written permission, and the contents thereof must not be imparted to a third party nor be used for any unauthorized purpose. Contravention will be prosecuted. Asko Cyinda AB