

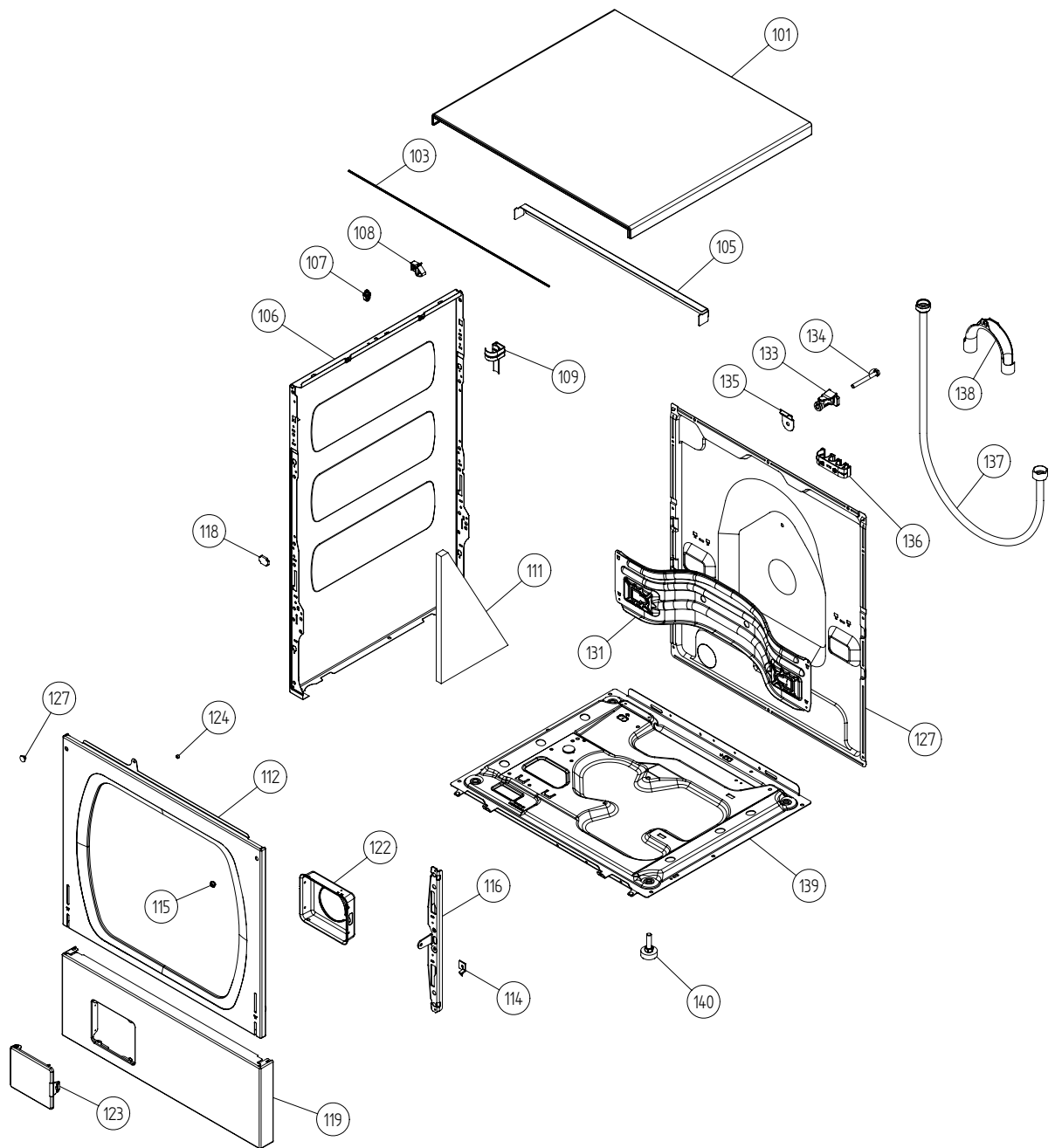
Spare Parts Catalogue

Washing machines \ 6000 Series
Type: WM25.3
Model: W6222 US Titanium

Prod. No: 107622216
November 30th 2006

AM Appliances Group

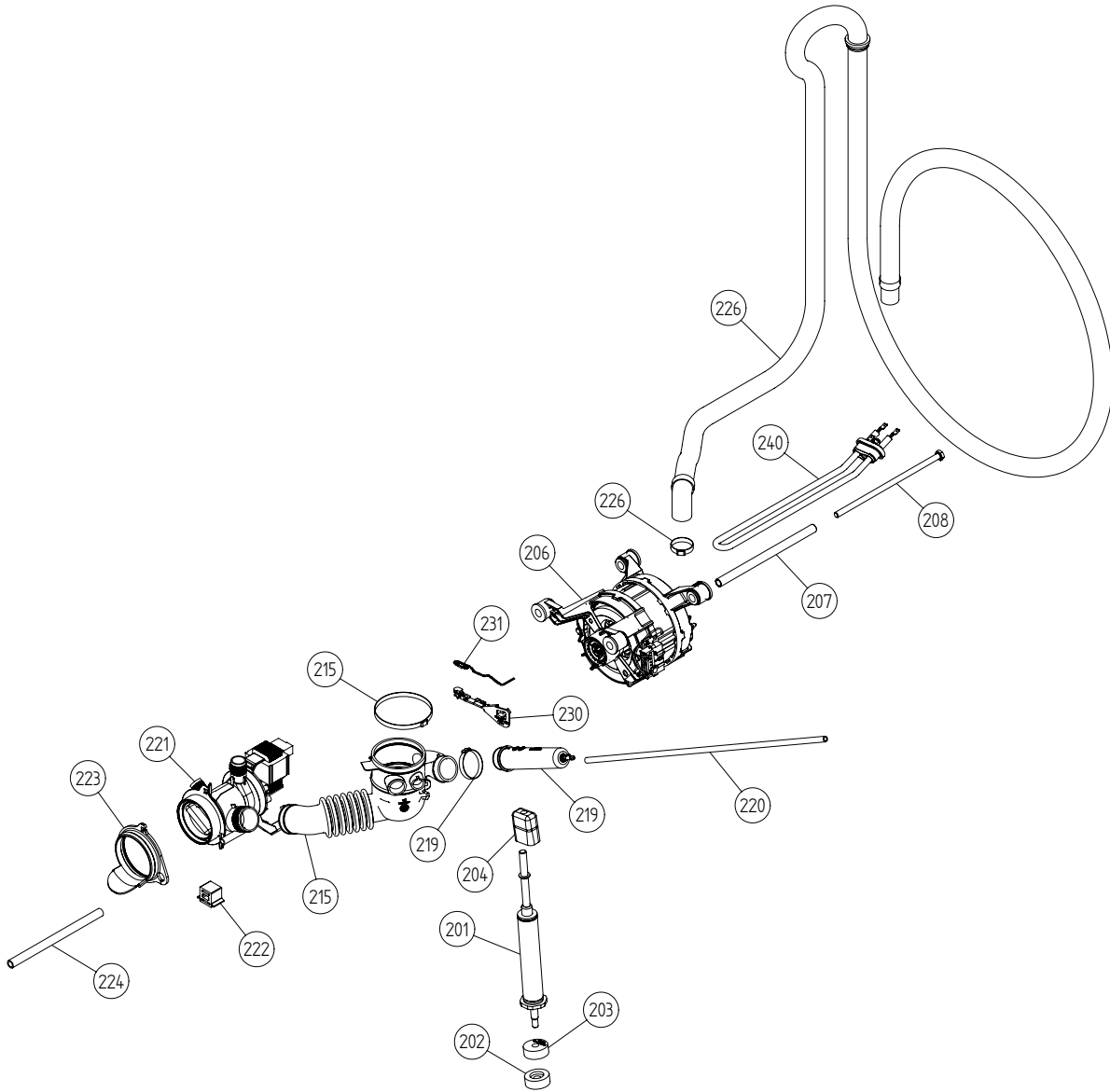
P.O. Box 851805 • Richardson • TX 75085-1805
789 N. Grove Road • Suite 103 • Richardson • TX 75081



Outer Casing

ASKO, W6222 US - Titanium (WM25.3)

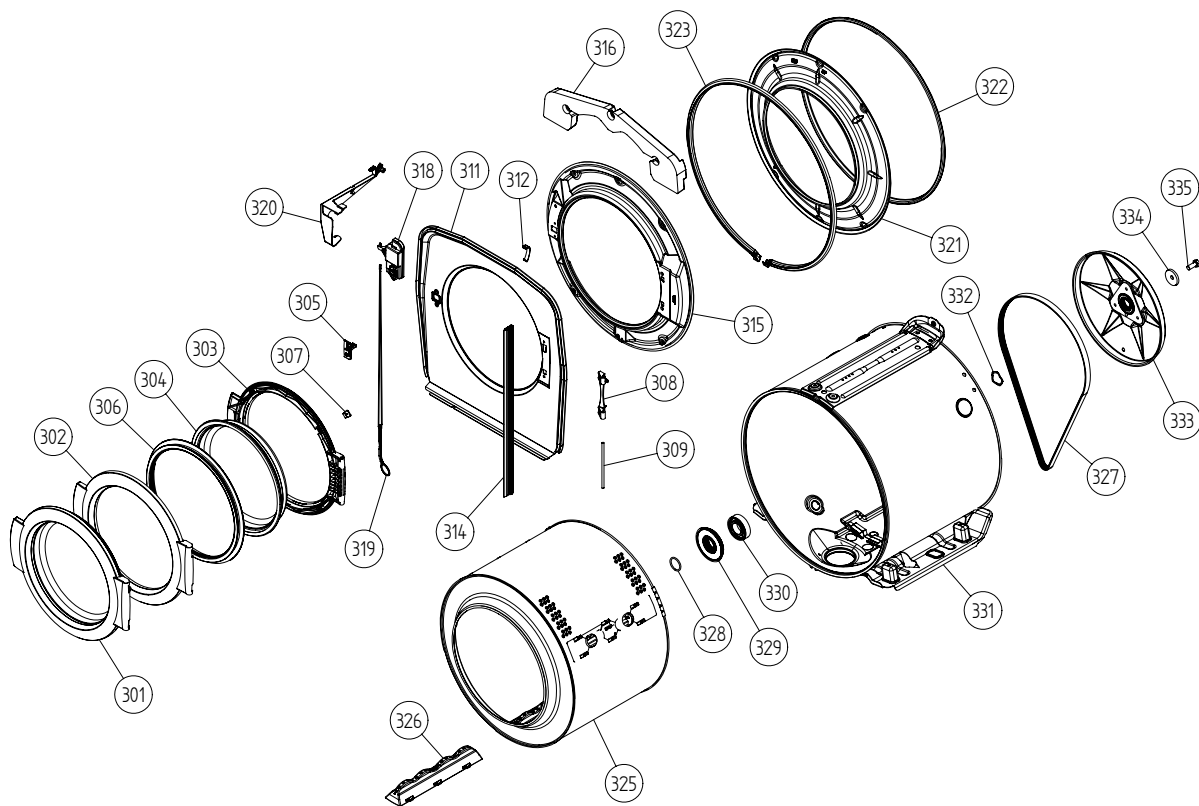
Pos	Spare part No.	Description	Qty	Comment
101	8061817-81	Top WM50 titanium	1 Pc's	
101-a	8900338	Screw 20 Torx Self Tapping	3 Pc's	
101-b	8901413	Lock Washer laundry tops	2 Pc's	
103	8064062	Top Cover Strip	1 Pc's	
105	8064198	Support Beam	1 Pc's	
105-a	8064255	SPONGE RUBBER STRIP 2X8 L=544	1 Pc's	
106	8801174-81	Side WM50 titanium	2 Pc's	
107	8061763	Clip Front Plate 600700s	2 Pc's	
108	8061916	CABLE HOLDER WMD20	3 Pc's	
109	8061713	HOLDER HOSE/SIDE PLATE WMD20	2 Pc's	
111	8064017	Insulation	1 Pc's	
112	8061732-81	front WM50 titanim	1 Pc's	
112-a	8900327	Screw 20 Torx Self Tapping	4 Pc's	
112-b	8901413	Lock Washer laundry tops	2 Pc's	
114	8064177	Hook Lower Pane	2 Pc's	
114-a	8900338	Screw 20 Torx Self Tapping	2 Pc's	
115	8061741	RUBBER BUFFER FRONT DOOR	2 Pc's	
116	8061744	HINGE BEARING	2 Pc's	
116-a	8901097	Screw Terminal	6 Pc's	
118	8061745	RUBBER BUFFER HINGE	2 Pc's	
119	8064294-81	Lower cover WM50 titanium	1 Pc's	
119-a	8900327	Screw 20 Torx Self Tapping	2 Pc's	
119-b	8901413	Lock Washer laundry tops	2 Pc's	
122	8061785	PUMP GUARD WM20	1 Pc's	
123	8061657-81	outlet pump door WM50 Titanium	1 Pc's	
127	8061737	REAR PANEL WM20	1 Pc's	
127-a	8061959	Plug Hum Sensor	1 Pc's	
127-b	8900338	Screw 20 Torx Self Tapping	11 Pc's	
131	8061693	Cross Beam Rear 600	1 Pc's	
131-a	8900338	Screw 20 Torx Self Tapping	4 Pc's	
131-b	8901413	Lock Washer laundry tops	1 Pc's	
133	8064206-UL	GrommetShipping Support 600s	3 Pc's	
134	8901940	Bolt Shippng WM20	3 Pc's	
134	8901037	Screw bufo	3 Pc's	
135	8061767	Locking Clip Shipping 600s	3 Pc's	
136	8065773	HOSE FRAME REAR COVER	2 Pc's	
137	8056950	Fill Hose Pex WM	1 Pc's	
138	8050805	GOOSE NECK for DRAIN HOSE	1 Pc's	
138-a	8002263	Cable Strip	1 Pc's	
139	8061618	BASE PAN WMD20	1 Pc's	
140	8059334	Leveling Leg Comp WMD 20	4 Pc's	



Lower Section

ASKO, W6222 US - Titanium (WM25.3)

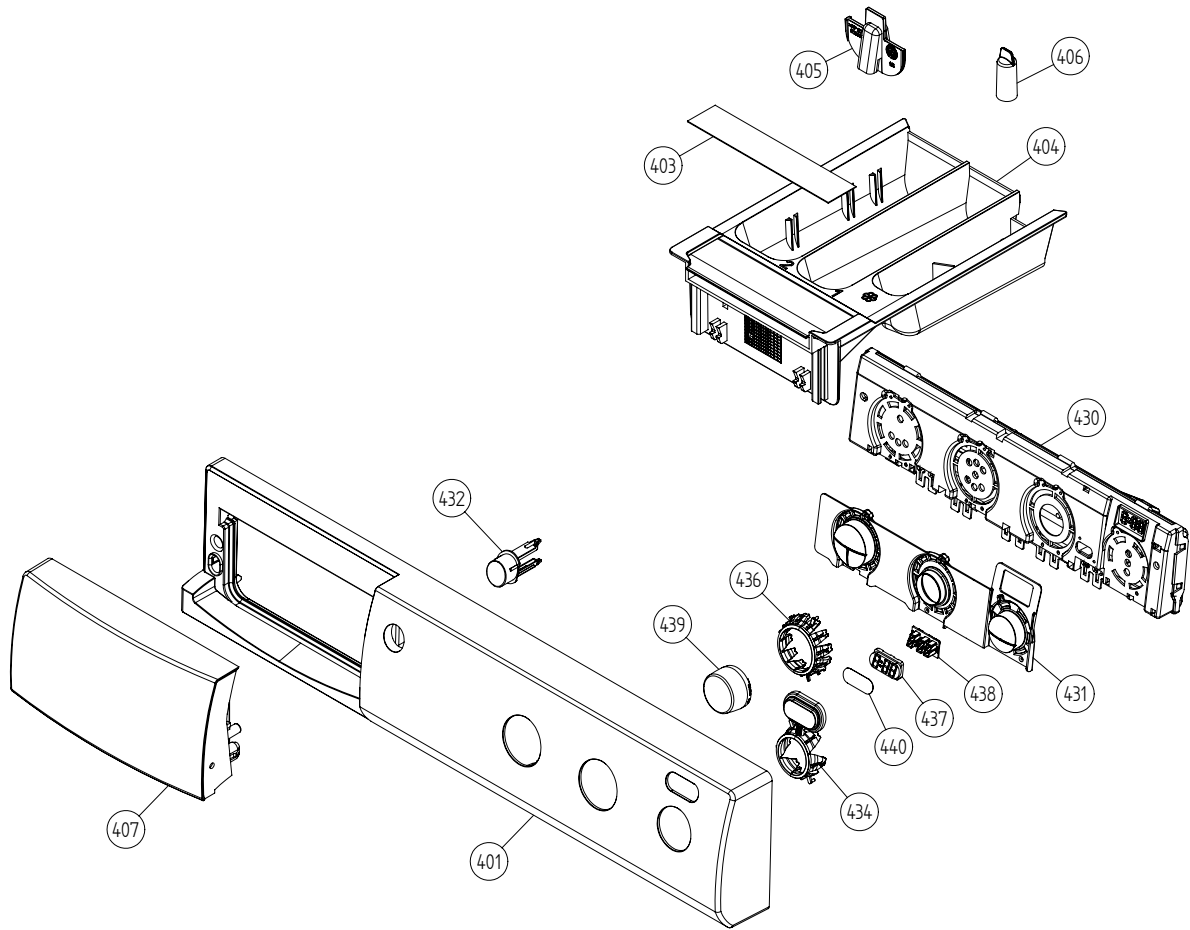
Pos	Spare part No.	Description	Qty	Comment
201	8801171	Spring Leg Kit W600s Set	1 Pc's	
202	8055796	RUBBER BUFFER SPRING LEG	4 Pc's	
203	8055797	RUBBER BUFFER SPRING LEG	4 Pc's	
204	8061668	Rubber Damper Spring Leg	4 Pc's	
206	8063733	Motor FHP WM33/44	1 Pc's	
206-a	8901155	Nut	2 Pc's	
206-b	8901337	Washer	1 Pc's	
206-c	8801195	Brush for FHP motor	1 Pc's	
207	8058261	Spacer Tube Motor 05 WM	2 Pc's	
208	8063591	Screw	2 Pc's	
215	8801292	BELLOWS HOSE WITH BALL/WASHER	1 Pc's	
215-a	8063262	Hose Clip	1 Pc's	
215-b	8056471	Hose Clips	1 Pc's	
215-c	8052083	Hose Clip	1 Pc's	
219	8061924	Pressure Chamber	1 Pc's	
219-c	8052083	Hose Clip	1 Pc's	
220	7382670	Rubber Hose	1 Pc's	
221	8801264	Drain Pump	1 Pc's	
221-a	8801186	Seal Pump Insert	1 Pc's	
221-b	8801297	Pump insert	1 Pc's	
222	8061649	Rubber Buffer Drain Pump WM20	2 Pc's	
223	8061796	Rubber Ring Drain Pump WM20	1 Pc's	
224	8061725	Drain Hose WM20	1 Pc's	
224-a	8052731	Squeeze Clamp	1 Pc's	
226	8061998	Outlet Hose WM20	1 Pc's	
226-a	8056491	Hose Clamp Squeeze	1 Pc's	
230	8061738	Thermistor Holder WM20	1 Pc's	
231	8076102	THERMISTOR WM25	1 Pc's	
232	8061976	Cable Holder W600	2 Pc's	
234	8061959	Plug Hum Sensor	1 Pc's	
240	8061706	Heating Element 600	1 Pc's	



Cylinder and related parts

ASKO, W6222 US - Titanium (WM25.3)

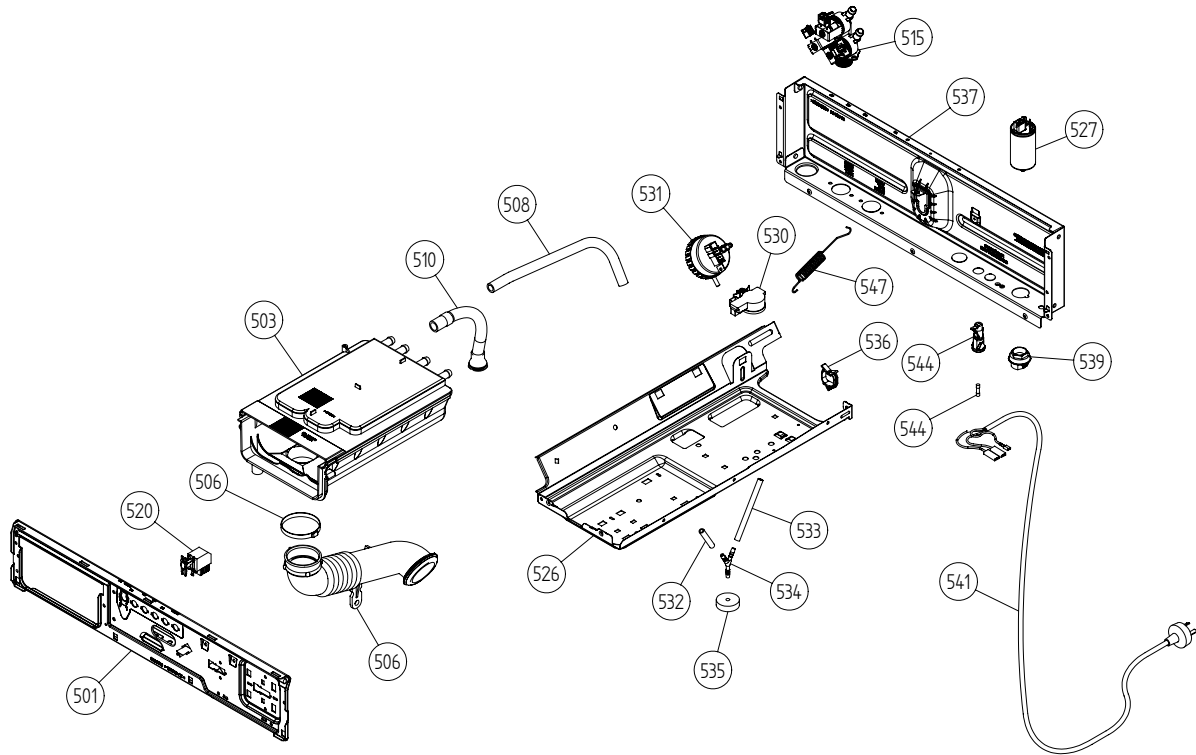
Pos	Spare part No.	Description	Qty	Comment
301	8064906-81	Front door	1 Pc's	
302	8061651-81	Front frame	1 Pc's	
303	8061652-42	Front Door Frame Inner	1 Pc's	
304	8061685	Front Glass	1 Pc's	
305	8061798	Lock Hook Door 600s	1 Pc's	
306	8064025	Seal front door WM20/21	1 Pc's	
307	8061624	Securing Plate	4 Pc's	
308	8061686-42	Hinge Front Door Grey WM 20	1 Pc's	
308-a	8901969	Screw	2 Pc's	
309	8061687	Shaft for Hinge WM 20	1 Pc's	
311	8061671-81	Cover Plate Outer Metallic	1 Pc's	
312	8061879	Tension Spring	4 Pc's	
314	8061616	Gap Sealing Side WM 20	2 Pc's	
315	8061670	COVER PLATE INNER	1 Pc's	
316	8061678	DAMPER WEIGHT	2 Pc's	
316-a	8901135	SCREW	4 Pc's	
318	8061679	Door Lock Comp W600s	1 Pc's	
318-a	8902087	Screw Plastic Housing 20 Torx	2 Pc's	
319	8061780	EMERGENCY OPEN.Repl.by 8801305	1 Pc's	
320	8061680-UL	subs to #8061680	1 Pc's	
321	8065043	Front panel tub WM20/21	1 Pc's	
322	8061889	Seal Strip Tub 600s	1 Pc's	
323	8061669	TENSION RING WM20	1 Pc's	
325	8801277	Cylinder and sealing kit	1 Pc's	
326	8061604	Drum Paddle	3 Pc's	
327	8061682	Drive Belt 600 series washers	1 Pc's	
328	8058497	ORing 600s Drum Shaft WM	1 Pc's	
329	8801276	Kit sealing cassette	1 Pc's	
330	8056314	Bearing Comp WM Rear Panel	2 Pc's	
331	8801259	CONTAINER COMPL.WM20 CAST IRON	1 Pc's	
332	8056810	Wave Washer WM	1 Pc's	
333	8056376	Pulley for Drum WM	1 Pc's	
334	8057209	WASHER 42X10X5	1 Pc's	
335	8901052	Screw	1 Pc's	



Control panel

ASKO, W6222 US - Titanium (WM25.3)

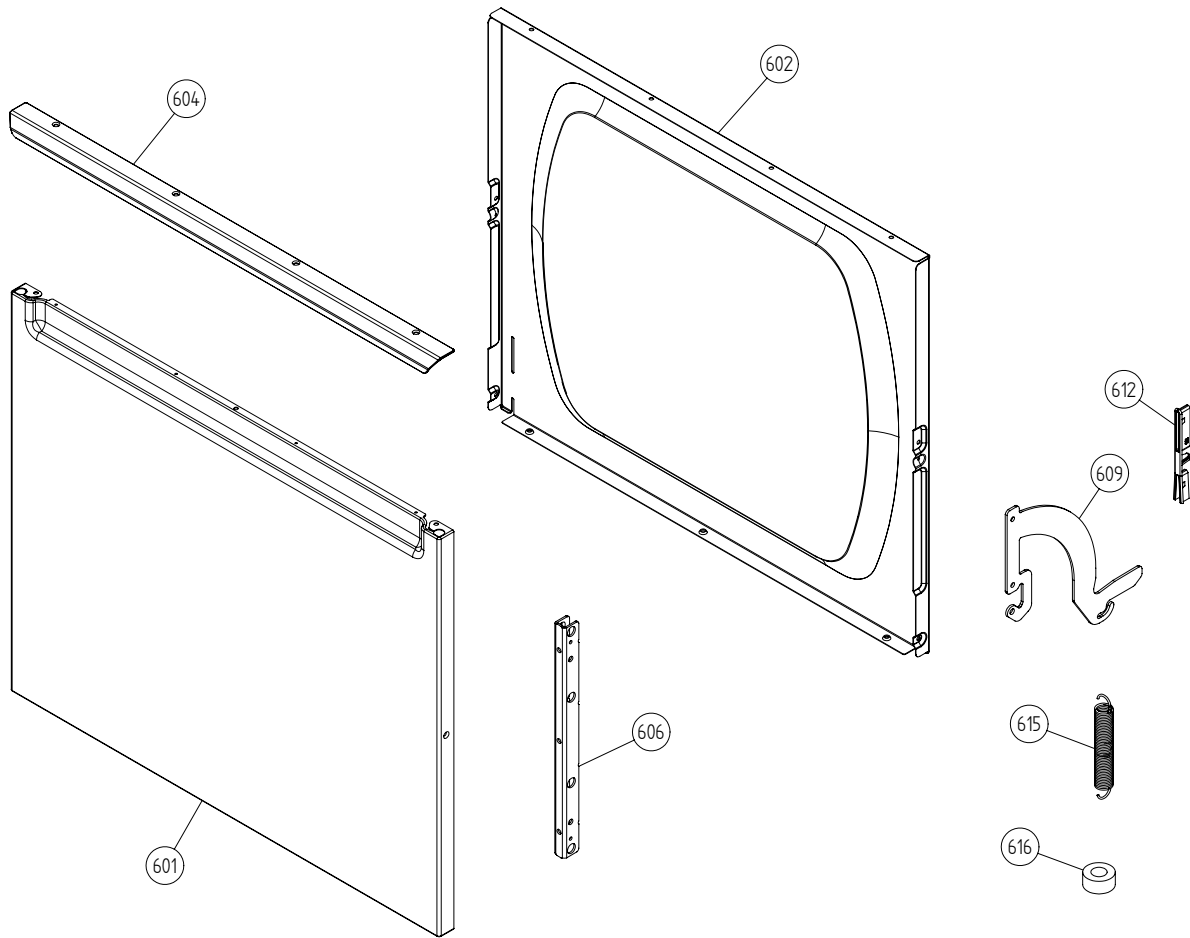
Pos	Spare part No.	Description	Qty	Comment
401	8079306-81-UL	PANEL W.HANDLE W6222 ASKO US	1 Pc's	
403	8079298-49	PLATE PROG.INFO WM25(US) FR/ES	1 Pc's	
403	8076556-49	Program info	1 Pc's	
404	8061630	Det Comp Complete W600	1 Pc's	
405	8061633	Siphon Divider Liq Det 600s	1 Pc's	
406	8061634	Siphon Fabric softener WM20	1 Pc's	
407	8061846-81-UL	Detergent drawer handle WM50 t	0 Pc's	
430	8077129	CONTROL UNIT WM25.3 UL4	1 Pc's	
431	8079274-81	PUSHBUTTONS PRINTED WM25 VAR.3	1 Pc's	
432	8076364-81	PUSHBUTTON MAINSWITCH WMD25	1 Pc's	
434	8076235	LENS START/STOP WMD25	1 Pc's	
436	8076237	LENS 12 SEGMENT WMD25	2 Pc's	
437	8076685	LIGHT SCREENING LENS 7-SEGMENT	1 Pc's	
438	8076684	LENS 7-SEGMENT WMD25	1 Pc's	
439	8077334-81-99	KNOB COMPL. M.GREY/TRANS.WMD25	1 Pc's	
440	8077396	DECOR PLATE WMD25	1 Pc's	
460	8076204	CABLE SET MOTOR WM	1 Pc's	
461	8076203	CABLE SET POWER WM	1 Pc's	
462	8076206	CABLE SET INLET VALVES WM	1 Pc's	
464	8076205	CABLE SET LEVEL,DRAIN,DOOR WM	1 Pc's	
465	8076207	CABLE SET PRESSURE SENSOR WM	1 Pc's	
467	8076208	CABLE SET HEATER WM	1 Pc's	
468	8076209	GROUND CHAIN WM	1 Pc's	
490	8079299	INSTRUCT. W6222 ENGLISH US/CA	1 Pc's	
490	8079300	INSTRUCT. W6222 FRENCH US/CA	1 Pc's	
490	8079301	INSTRUCT. W6222 SPANISH US/CA	1 Pc's	



Upper Section

ASKO, W6222 US - Titanium (WM25.3)

Pos	Spare part No.	Description	Qty	Comment
501	8076210	BEAM FRONT WMD25	1 Pc's	
501	8061690	Front Beam 600/700 Series	1 Pc's	
501-a	8900338	Screw 20 Torx Self Tapping	2 Pc's	
501-b	8901413	Lock Washer laundry tops	2 Pc's	
501-c	8902087	Screw Plastic Housing 20 Torx	2 Pc's	
503	8061661	Container Det Disp 600s	1 Pc's	
503-a	8901970	Screw	2 Pc's	
503-b	8902072	Screw	1 Pc's	
503-c	8056656	Cable Tie	3 Pc's	
506	8064692	Belows hose longer alternate	1 Pc's	
506-a	8063607	Hose Clip	1 Pc's	
508	8061702	Rubber Hose	3 Pc's	
510	8061736	Ventilation Hose WM20	1 Pc's	
510-a	8052730	Hose Clip	1 Pc's	
515	8076201	INLET VALVE 3-WAY	1 Pc's	
520	8073782	MAIN PUSH SWITCH	1 Pc's	
526	8061692	Bracket Elec Comp WM 20	1 Pc's	
526-a	8900338	Screw 20 Torx Self Tapping	2 Pc's	
526-b	8900327	Screw 20 Torx Self Tapping	1 Pc's	
527	8076202	EMC-FILTER WITH INDUCTOR	1 Pc's	
530	8061664	Level Sensor 600s	1 Pc's	
531	8078221	LEVEL SWITCH WM05	1 Pc's	
532	8003641	Rubber Hose	1 Pc's	
533	7382985	Rubber Hose	1 Pc's	
534	8051843	YPipe Water Level SW 04/06 WM	1 Pc's	
535	8061997	Ground Level Switch Hose WM 20	2 Pc's	
536	8061975	Cable Holder	2 Pc's	
537	8061694	CROSS BEAM	1 Pc's	
537-a	8900327	Screw 20 Torx Self Tapping	4 Pc's	
539	8006948	Grommet	1 Pc's	
541	8064210	Cord set w/flat pin sleeves	1 Pc's	
544	8065573	FUSE HOLDER GREY 15A US/CA	2 Pc's	
544-a	8058140	BK/MDA15 Fuse All laundry	2 Pc's	
544-b	8055725	Hub Fuse Holder	2 Pc's	
544-c	8054613	Fuse Holder Laundry	2 Pc's	
547	8061923	Balancing Spring WM 20	2 Pc's	



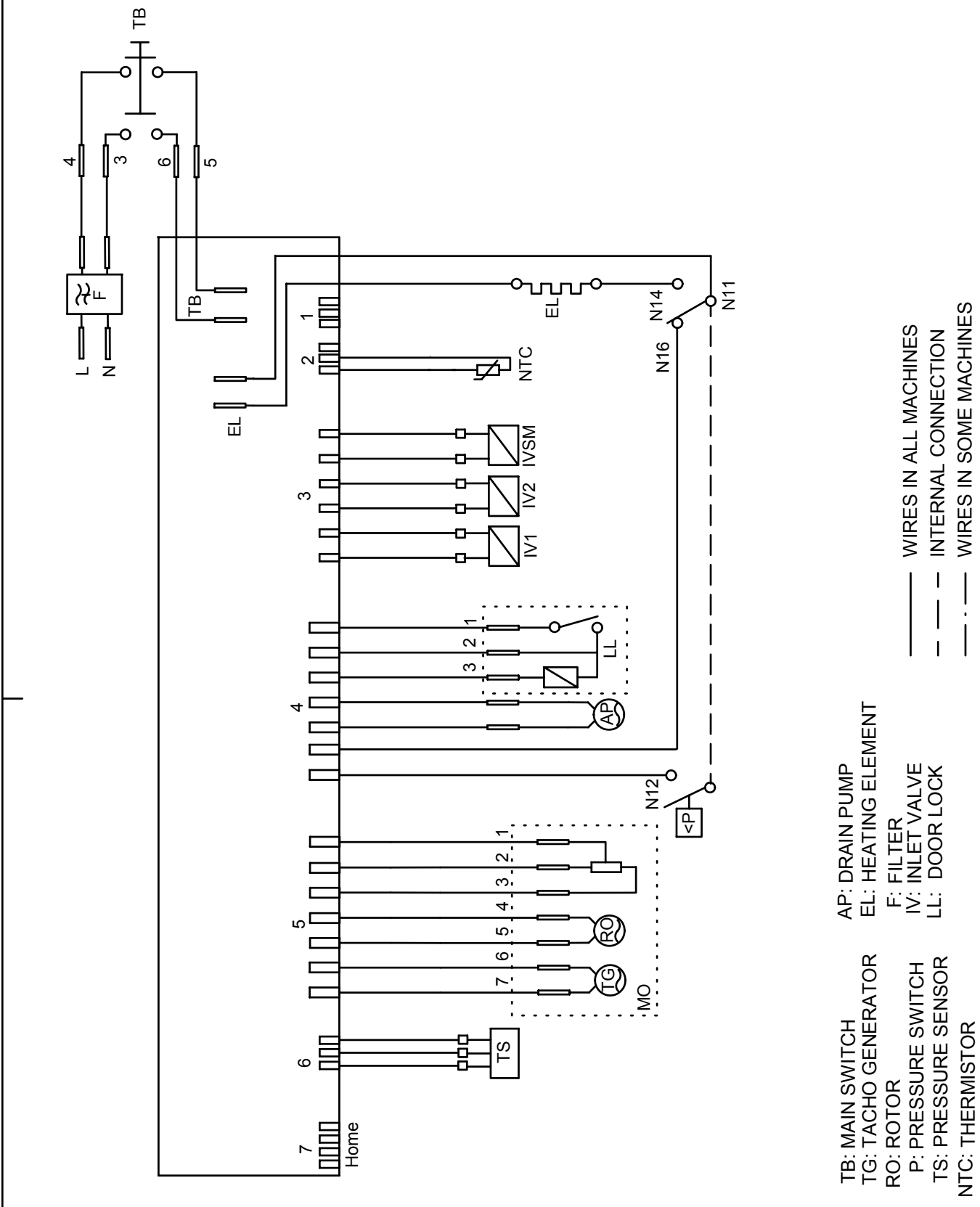
Outer Door

ASKO, W6222 US - Titanium (WM25.3)

Pos	Spare part No.	Description	Qty	Comment
601	8061733-81	Outer door WM50 Titanium	1 Pc's	
602	8061734	Door Inner Part WM 20	1 Pc's	
604	8061656-81	Handle Front Door WM 20 meta	1 Pc's	
606	8061764	Reinforcement Hinge WM 20	1 Pc's	
606-a	8901969	Screw	4 Pc's	
606-b	8901097	Screw Terminal	4 Pc's	
609	8061906	Hinge Electric WM 20	2 Pc's	
609-a	8901192	Locking Nut WM 03/05	2 Pc's	
609-b	8901004	Screw	2 Pc's	
609-c	7382628	Nylon Washer	2 Pc's	
612	8061777-81	Guide Hinge Metallic WM 20	2 Pc's	
615	8061742	Tension Spring Hinge WM 20	1 Pc's	
616	8061909	Glide Sleeve Tension Spring	1 Pc's	

This document must not be copied without our written permission, and the contents thereof must not be imparted to a third party nor be used for any unauthorized purpose. Contrainvention will be prosecuted. ASKO CYLINDA AB

S:\UWVMD251_Tryckunderlag\Kopplingschema\8076100 Kopplingschema WM25-a.dft , pema , 2005-01-04 15:28:02



- TB: MAIN SWITCH
- TG: TACHO GENERATOR
- RO: ROTOR
- P: PRESSURE SWITCH
- TS: PRESSURE SENSOR
- NTC: THERMISTOR
- AP: DRAIN PUMP
- EL: HEATING ELEMENT
- F: FILTER
- IV: INLET VALVE
- LL: DOOR LOCK
- N11, N12, N14, N16: Terminal connections

Pos.	Qty	Part No.	Name of item	Material
Material		Dens.Kg/dm3	Dimensions, Type, etc.	
Scale		Gen.tolerance	Description(ENG)	
1:1			CIRCUIT DIAGRAM WM25	
Designed by		Gen.tol.Angle	Description(SE)	
Pema			KOPPLINGSSCHEMA WM25	
Released by		Iss by Dept	Year	Week
		UT	03	27
ASKO CYLINDA		80 761 00		Rev Ind
				b
		Replace		
		Project		WM25