



Spare Parts Catalogue

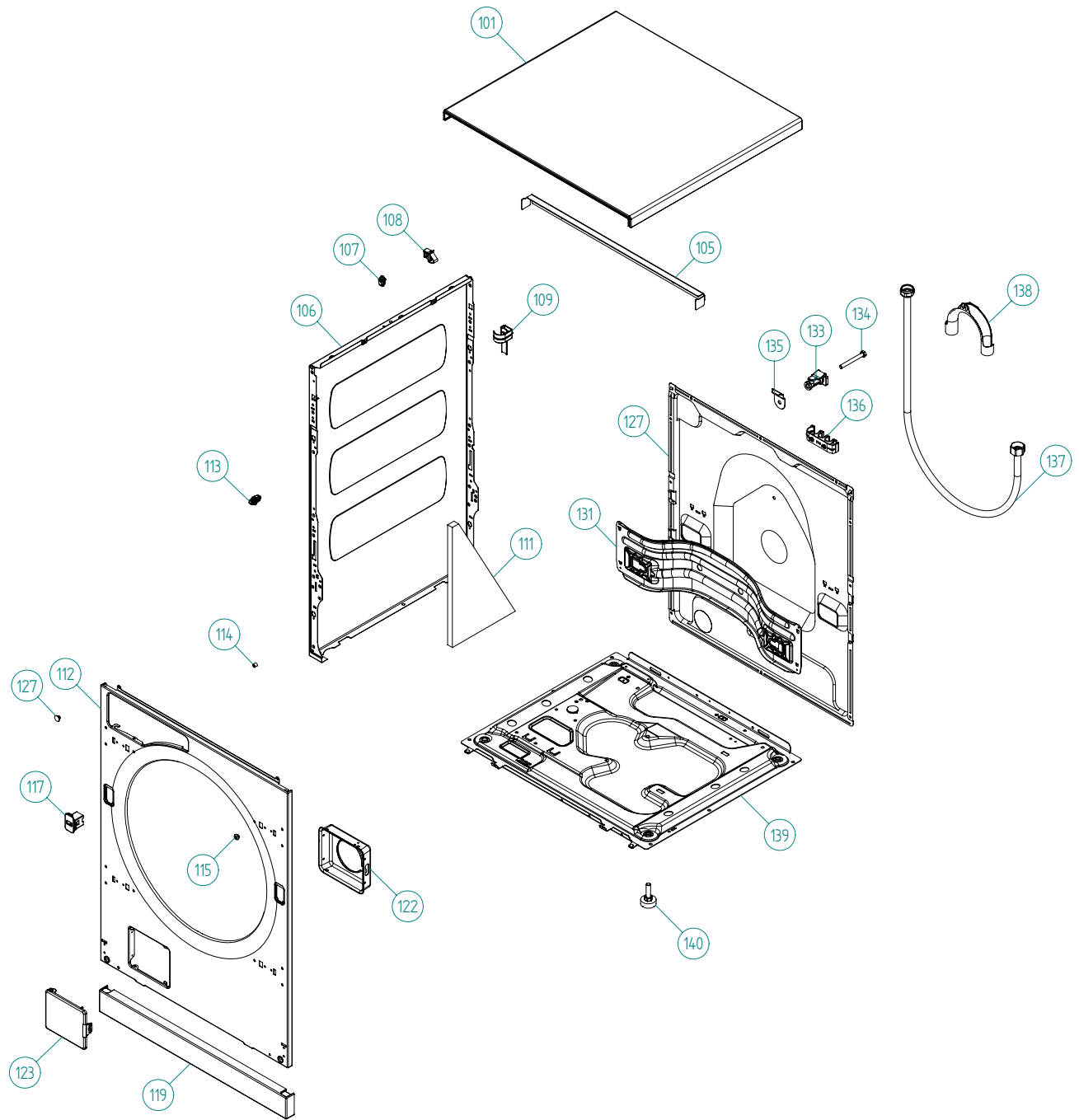
Washing Machines \ ASKO 6000 Series
Type: WM60.2
Model: W6863 US Ti

Prod. No: 107686316

February 11th 2009

ASKO Appliances Inc.

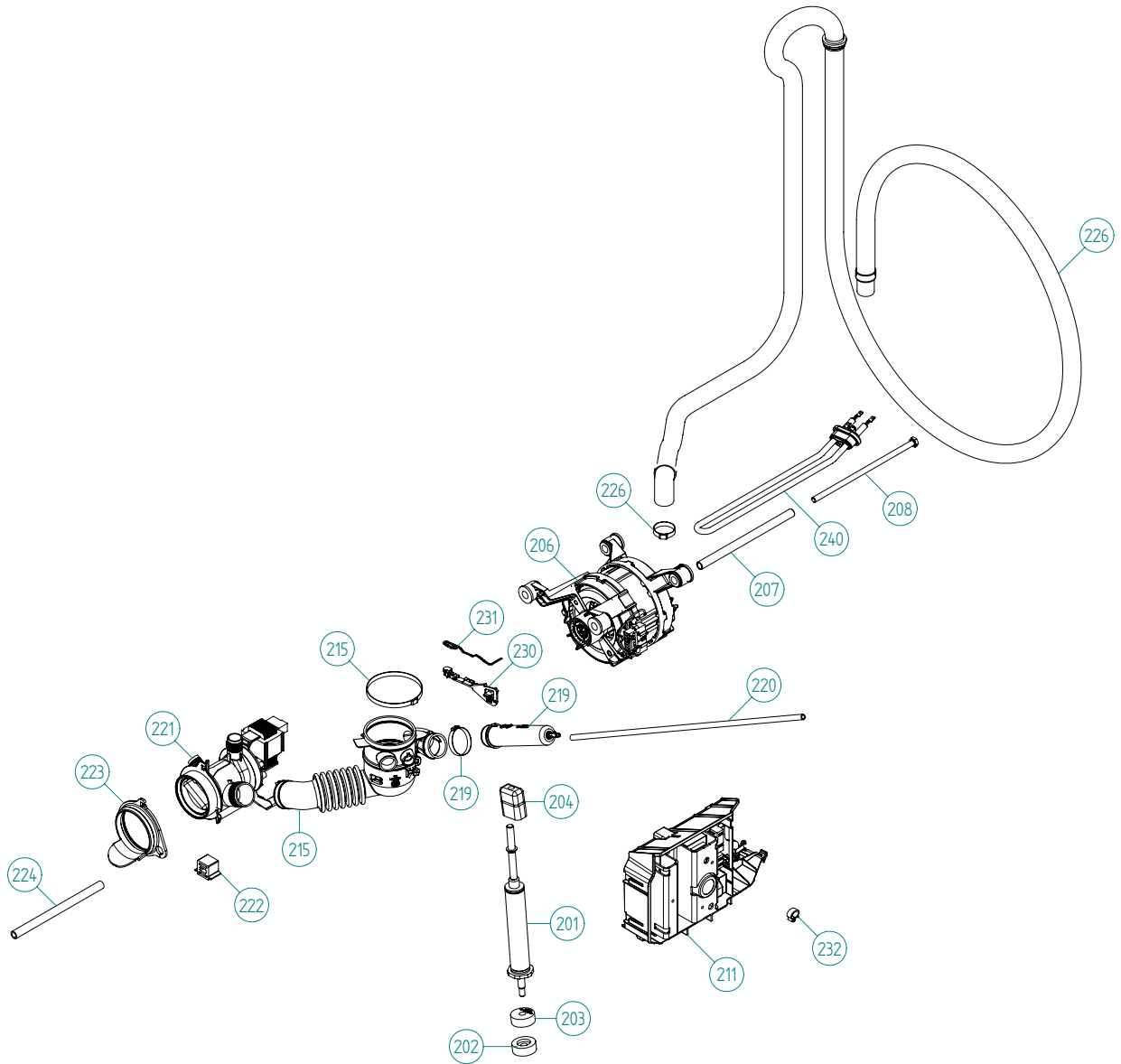
4001 E Plano Parkway #1004001 E Plano Parkway #100
Plano, Texas 75074



Outer casing

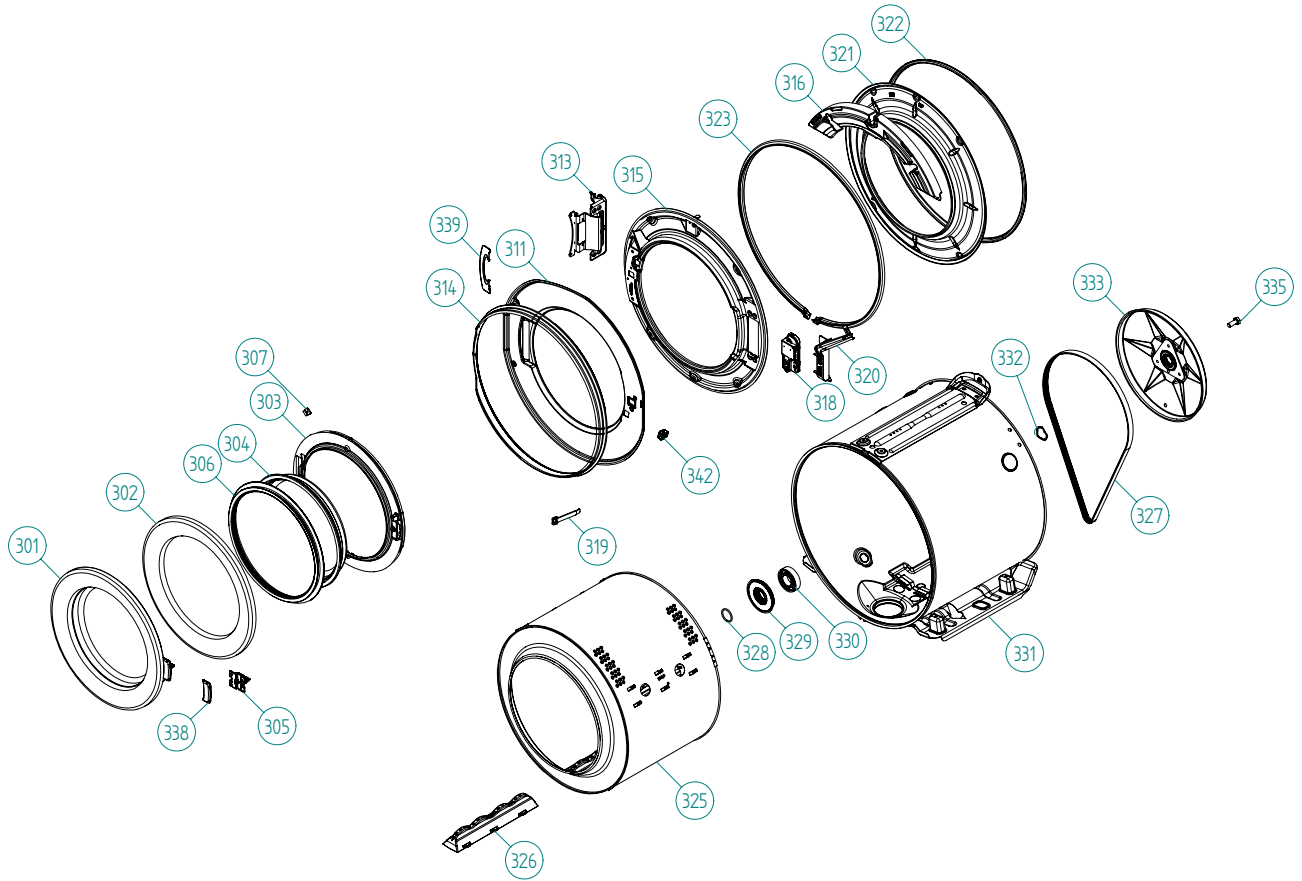
ASKO, W6863 US - Ti (WM60.2)

Pos	Spare part No.	Description	Qty	Comment
101	8061817-81	Top WM50 titanium	1 Pc's	
101-a	8900338	Screw 20 Torx Self Tapping	3 Pc's	
101-b	8901413	Lock Washer laundry tops	2 Pc's	
105	8064198	Support Beam	1 Pc's	
105-a	8064255	SPONGE RUBBER STRIP 2X8 L=272	1 Pc's	
106	8801174-81	Side WM50 titanium	2 Pc's	
107	8061763	Clip Front Plate 600700s	2 Pc's	
108	8061916	CABLE HOLDER WMD20	2 Pc's	
109	8061713	HOLDER HOSE/SIDE PLATE WMD20	2 Pc's	
111	8064017	Insulation	1 Pc's	
112	8080385-81	FRONT WITH DOOR COMPL.	1 Pc's	
113	8080197	PLASTIC BRACKET FRONT PLATE	2 Pc's	
114	8064222	Guide Front Plate	2 Pc's	
114-a	8900327	Screw 20 Torx Self Tapping	2 Pc's	
115	8061741	RUBBER BUFFER FRONT DOOR	2 Pc's	
117	8076077-81	LOCK PUSH/PUSH	1 Pc's	
119	8076080-81	PLINTH	1 Pc's	
122	8061785	PUMP GUARD WM20	1 Pc's	
123	8061657-81	outlet pump door WM50 Titanium	1 Pc's	
127	8061737	REAR PANEL WM20	1 Pc's	
127-a	8061959	PLUG HUMIDITY SENSOR/REAR PAN.	1 Pc's	
127-b	8900338	Screw 20 Torx Self Tapping	11 Pc's	
131	8061693	Cross Beam Rear 600	1 Pc's	
131-a	8900338	Screw 20 Torx Self Tapping	4 Pc's	
131-b	8901413	Lock Washer laundry tops	1 Pc's	
133	8064206-UL	GrommetShipping Support 600s	3 Pc's	
134	8901037	Screw bufo	3 Pc's	
135	8061767	Locking Clip Shipping 600s	3 Pc's	
136	8065773	HOSE FRAME REAR COVER	2 Pc's	
137	8056950	Fill Hose Pex WM	1 Pc's	
138	8050805	GOOSE NECK for DRAIN HOSE	1 Pc's	
138-a	8002263	Cable Strip	1 Pc's	
139	8061618	BASE PAN WMD20	1 Pc's	
140	8059334	Leveling Leg Comp WMD 20	4 Pc's	



Lower session**ASKO, W6863 US - Ti (WM60.2)**

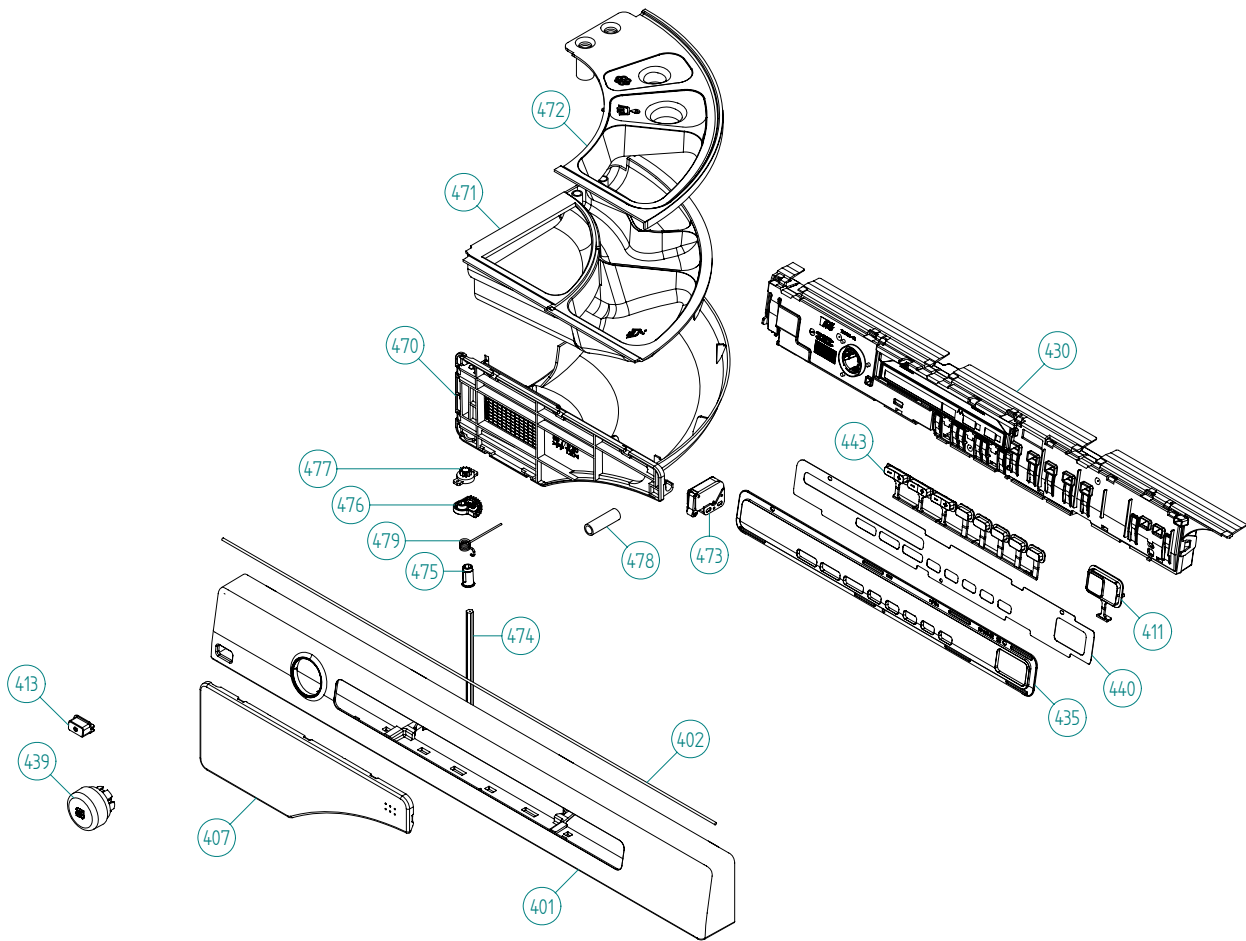
Pos	Spare part No.	Description	Qty	Comment
201	8801171	Spring Leg Kit W600s-Set of 4	1 Pc's	
202	8055796	RUBBER BUFFER SPRING LEG	4 Pc's	
203	8055797	RUBBER BUFFER SPRING LEG	4 Pc's	
204	8061668	Rubber Damper Spring Leg	4 Pc's	
206	8065833	3-PHASE INDUCTION MOTOR UL4	1 Pc's	
207	8058261	Spacer Tube Motor 05 WM	2 Pc's	
208	8063591	Screw	2 Pc's	
211	8081807	CONTROL UNIT MOTOR WM60.2	1 Pc's	
211-a	8901097	Screw Terminal	1 Pc's	
211-b	8901322	Washer	1 Pc's	
215	8801292	BELLOWS HOSE WITH BALL/WASHER	1 Pc's	
215-a	8063262	HOSE CLIP 80.0-708	1 Pc's	
215-b	8056471	Hose Clips	1 Pc's	
215-c	8052083	HOSE CLIP 39,6	1 Pc's	
219	8061924	Pressure Chamber	1 Pc's	
219-c	8052083	HOSE CLIP 39,6	1 Pc's	
220	8080831	RUBBER HOSE 5X8X520	1 Pc's	
221	8801264	Drain Pump w/clamps	1 Pc's	
221-a	8801186	Seal Pump Insert	1 Pc's	
221-b	8801297	Pump insert	1 Pc's	
222	8061649	Rubber Buffer Drain Pump WM20	2 Pc's	
223	8061796	Rubber Ring Drain Pump WM20	1 Pc's	
224	8061725	Drain Hose WM20	1 Pc's	
224-a	8052731	HOSE CLIP 14,8	1 Pc's	
226	8061998	Outlet Hose WM20	1 Pc's	
226-a	8056491	HOSE CLIP 30.1-708	1 Pc's	
230	8061738	Thermistor Holder WM20	1 Pc's	
231	8076102	THERMISTOR WM	1 Pc's	
232	8061976	Cable Holder W600	2 Pc's	
240	8061706	Heating Element 600	1 Pc's	



Cylinder and related parts

ASKO, W6863 US - Ti (WM60.2)

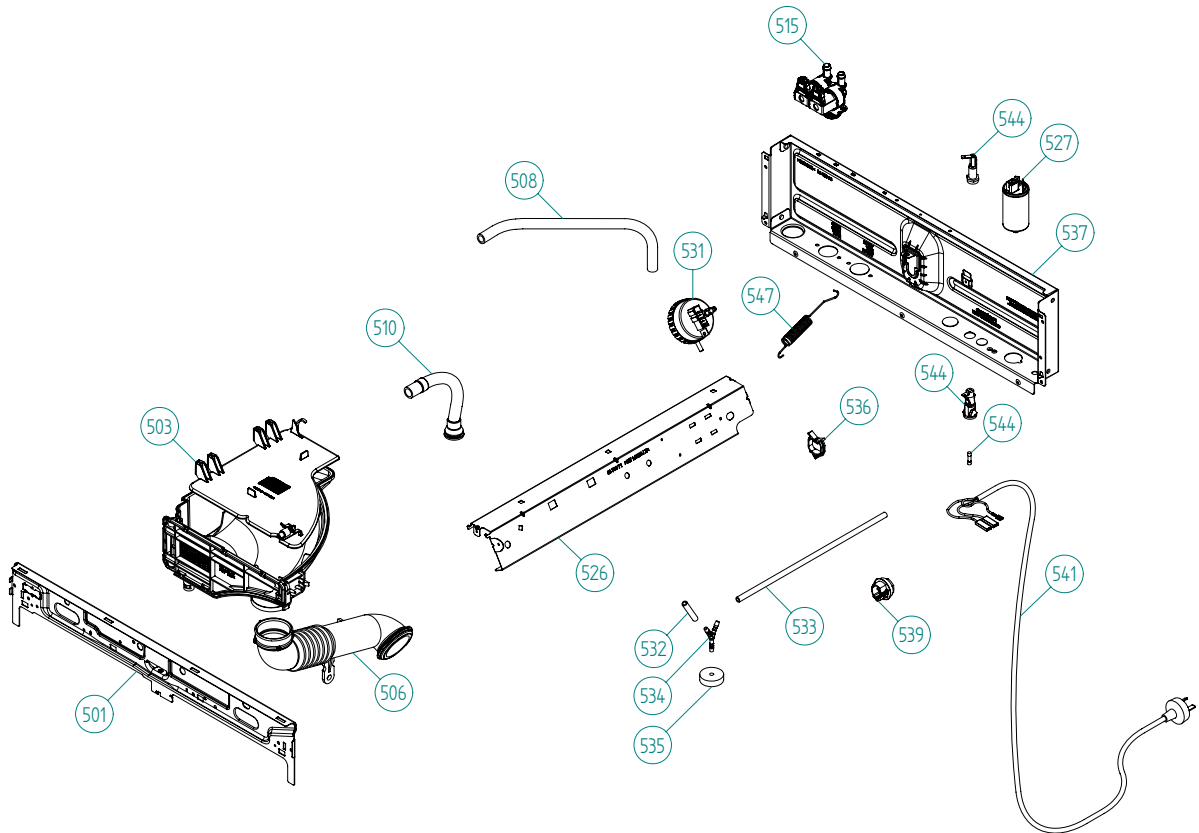
Pos	Spare part No.	Description	Qty	Comment
301	8081875-81	FRONT DOOR COMPL.	1 Pc's	
302	8076548-81	FRAME FRONT DOOR OUTER PART	1 Pc's	
303	8076547-49	FRAME FRONT DOOR INNER PART	1 Pc's	
304	8061685	Front Glass	1 Pc's	
305	8078973	LOCK HOOK	1 Pc's	
306	8081128	SEALING FRONT DOOR	1 Pc's	
306	8064025	Seal front door WM20/21	1 Pc's	
307	8801321	KIT SECURING PLATE FRONT GLASS	1 Pc's	
311	8076560-81	COVER PLATE OUTER GREYMET.	1 Pc's	
313	8079471	HINGE COMPL.	1 Pc's	
313-a	8079877	SCREW MFT 8.8 M5X10 FZB	4 Pc's	
313-b	8901097	Screw Terminal	2 Pc's	
314	8076561-81	GAP SEALING	1 Pc's	
315	8078970	COVER PLATE INNER	1 Pc's	
316	8076563	BALANCE WEIGHT 5,1 KG	2 Pc's	
316-a	8901135	SCREW	4 Pc's	
318	8902087	Screw Plastic Housing 20 Torx	2 Pc's	
318	8079873	DOOR LOCK	1 Pc's	
319	8076566	EMERGENCY OPENER DOOR LOCK	1 Pc's	
320	8079959-UL	COVER DOOR LOCK	1 Pc's	
321	8065043	Front panel tub WM20/21	1 Pc's	
322	8061889	Seal Strip Tub 600s	1 Pc's	
323	8061669	TENSION RING WM20	1 Pc's	
325	8801277	Cylinder and sealing kit	1 Pc's	
326	8061604	Drum Paddle	3 Pc's	
327	8061682	Drive Belt 600 series washers	1 Pc's	
328	8058497	ORing 600s Drum Shaft WM	1 Pc's	
329	8801276	Kit sealing cassette	1 Pc's	
330	8056314	Bearing Comp WM Rear Panel	2 Pc's	
331	8801259	CONTAINER COMPL.WM20 CAST IRON	1 Pc's	
332	8056810	Wave Washer WM	1 Pc's	
333	8056376	Pulley for Drum WM	1 Pc's	
335	8901052	Screw	1 Pc's	
338	8078975-81	COVER LOCK HOOK	1 Pc's	
339	8079283-81	HINGE COVER	1 Pc's	
342	8080160	GUIDE GLASS DOOR	1 Pc's	



Control panel

ASKO, W6863 US - Ti (WM60.2)

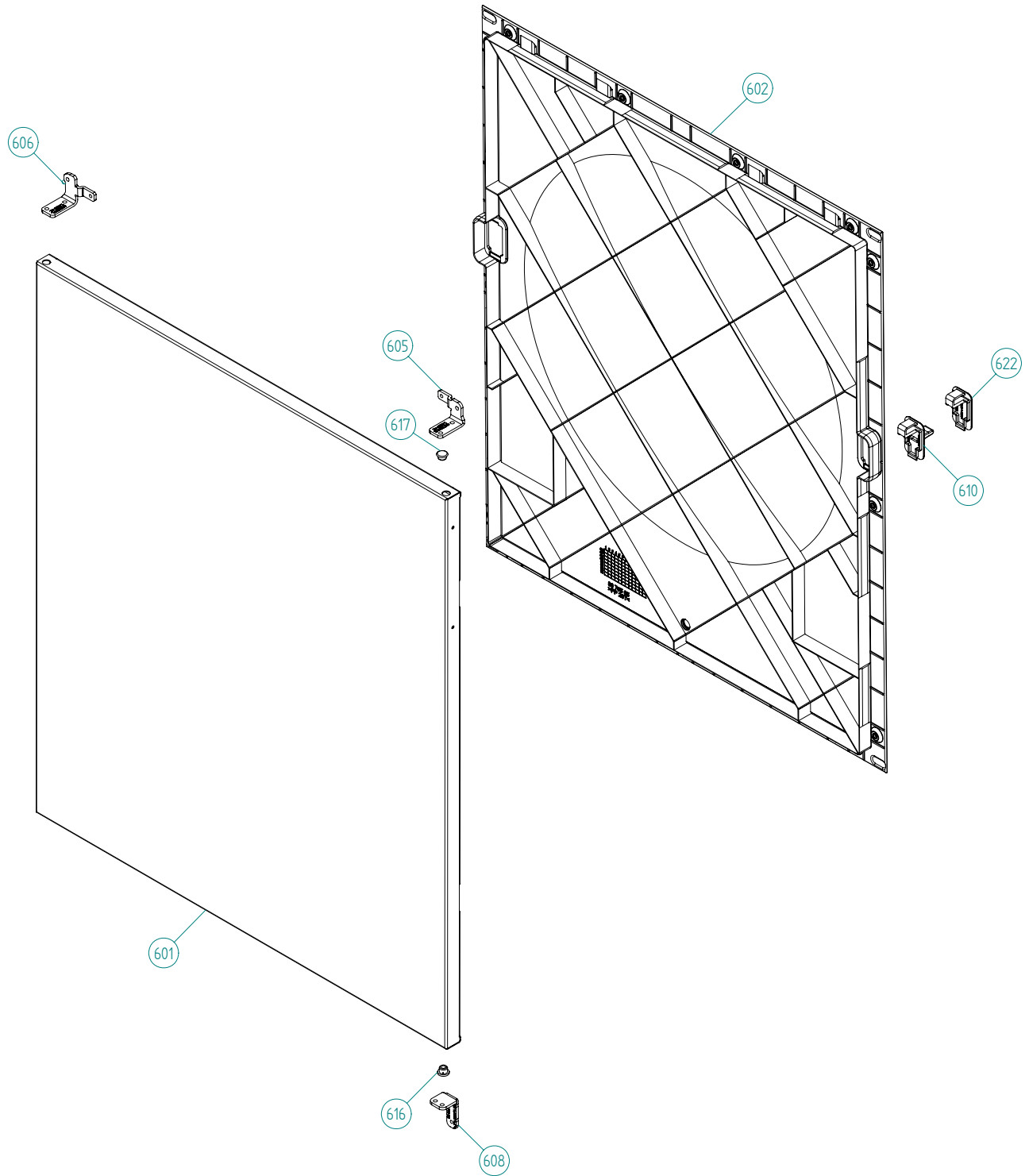
Pos	Spare part No.	Description	Qty	Comment
401	8083042-81-UL	PANEL ASKO W6863	1 Pc's	
402	8079749	O-RING CORD CELLULAR RUBBER	1 Pc's	
407	8076072-81	LID DETERGENT DISPENSER	1 Pc's	
411	8081748-81	PUSHBUT. START/STOP PRINTED WM	1 Pc's	
413	8081710-81	PUSHBUTTON MAIN SWITCH WMD60.2	1 Pc's	
430	8080602	CONTROL UNIT WM60.2	1 Pc's	
435	8081502	LENS 8-OPTIONS WM60.2	1 Pc's	
439	8081595-81-UL	KNOB ASKO WMD60.2	1 Pc's	
440	8082159-81	DECOR PLATE 8-OPTIONS WM60.2	1 Pc's	
441	8082163-33	ASKO A	1 Pc's	
442	8082421-81-UL	KNOB ASKO WMD60.2 COMPL.	1 Pc's	
443	8081527-81	KEY SET 8-BUTTONS	1 Pc's	
460	8082570	CABLE SET MOTOR WM	1 Pc's	
468	8076209	GROUND CHAIN WM	1 Pc's	
470	8077620	HOLDER DETERGENT COMPARTMENT	1 Pc's	
471	8077619	DETERGENT COMPARTMENT	1 Pc's	
472	8077142	SIPHON DETERGENT COMPARTMENT	1 Pc's	
473	8078925	PUSH LOCKING	1 Pc's	
474	8077621	SHAFT DETERGENT COMPARTMENT	1 Pc's	
475	8076159	BUSHING DETERGENT COMPARTMENT	3 Pc's	
476	8076189	GEAR RING DETERGENT CONTAINER	1 Pc's	
477	8078924	DAMPER DETERGENT COMPARTMENT	1 Pc's	
478	8081698	SPACER DETERGENT COMP. 30MM	1 Pc's	
478-a	8901980	SCREW PTK 40X40 WN1452 FZB T20	1 Pc's	Ritning saknas
479	8077622	TORSION SPRING	1 Pc's	
490	8083032	INSTRUCT. W6863 ENGLISH US/CA	1 Pc's	
490	8083033	INSTRUCT. W6863 FRENCH US/CA	1 Pc's	



Upper session

ASKO, W6863 US - Ti (WM60.2)

Pos	Spare part No.	Description	Qty	Comment
501	8076029	FRONTBEAM	1 Pc's	
501-a	8900338	Screw 20 Torx Self Tapping	2 Pc's	
501-b	8901413	Lock Washer laundry tops	2 Pc's	
503	8081697	DETERGENT COMPARTMENT COMPL.	1 Pc's	
503-a	8901970	Screw	1 Pc's	
503-b	8902072	Screw	1 Pc's	
506	8064692	Bellows hose longer alternate	1 Pc's	
506-a	8063607	HOSE CLIP 57,5	1 Pc's	
508	8058502	RUBBER HOSE 10X15X360 UL1	2 Pc's	
510	8061736	Ventilation Hose WM20	1 Pc's	
510-a	8052730	HOSE CLIP 21,0	1 Pc's	
515	8079324	INLET VALVE 2-WAY	1 Pc's	
515-a	8901097	Screw Terminal	2 Pc's	
526	8078971	UNIT FOR ELECTR. COMP.	1 Pc's	
527	8076202	EMC-FILTER WITH INDUCTOR	1 Pc's	
527-a	8901155	Nut	1 Pc's	
527-b	8901419	Lock Washer	1 Pc's	
529	8079710	CABLE SET IV WM	1 Pc's	
529	8079716	CABLE SET N AP LL WM	1 Pc's	
529	8079717	CABLE SET EL WM	1 Pc's	
529	8079714	CABLE SET MC C CIM-A W	1 Pc's	
529	8082568	CABLE SET P WM	1 Pc's	
529	8082569	CABLE SET MC P WM	1 Pc's	
531	8078221	LEVEL SWITCH WM05	1 Pc's	
532	8080832	RUBBER HOSE 5X8X75	1 Pc's	
533	8080617	RUBBER HOSE 5X8X260	1 Pc's	
534	8051843	YPipe Water Level SW 04/06 WM	1 Pc's	
535	8061997	Ground Level Switch Hose WM 20	2 Pc's	
536	8061975	Cable Holder	1 Pc's	
537	8061694	CROSS BEAM	1 Pc's	
537-a	8900327	Screw 20 Torx Self Tapping	5 Pc's	
539	8006948	Grommet	1 Pc's	
541	8064210	PWR Cord w/flat pin sleeves	1 Pc's	
544	8065573	FUSE HOLDER GREY 15A US/CA	2 Pc's	
544-a	8058140	BK/MDA15 Fuse All laundry	2 Pc's	
544-b	8055725	Hub Fuse Holder	2 Pc's	
544-c	8054613	Fuse Holder Laundry	2 Pc's	
547	8061923	Balancing Spring WM 20	2 Pc's	



Outer door

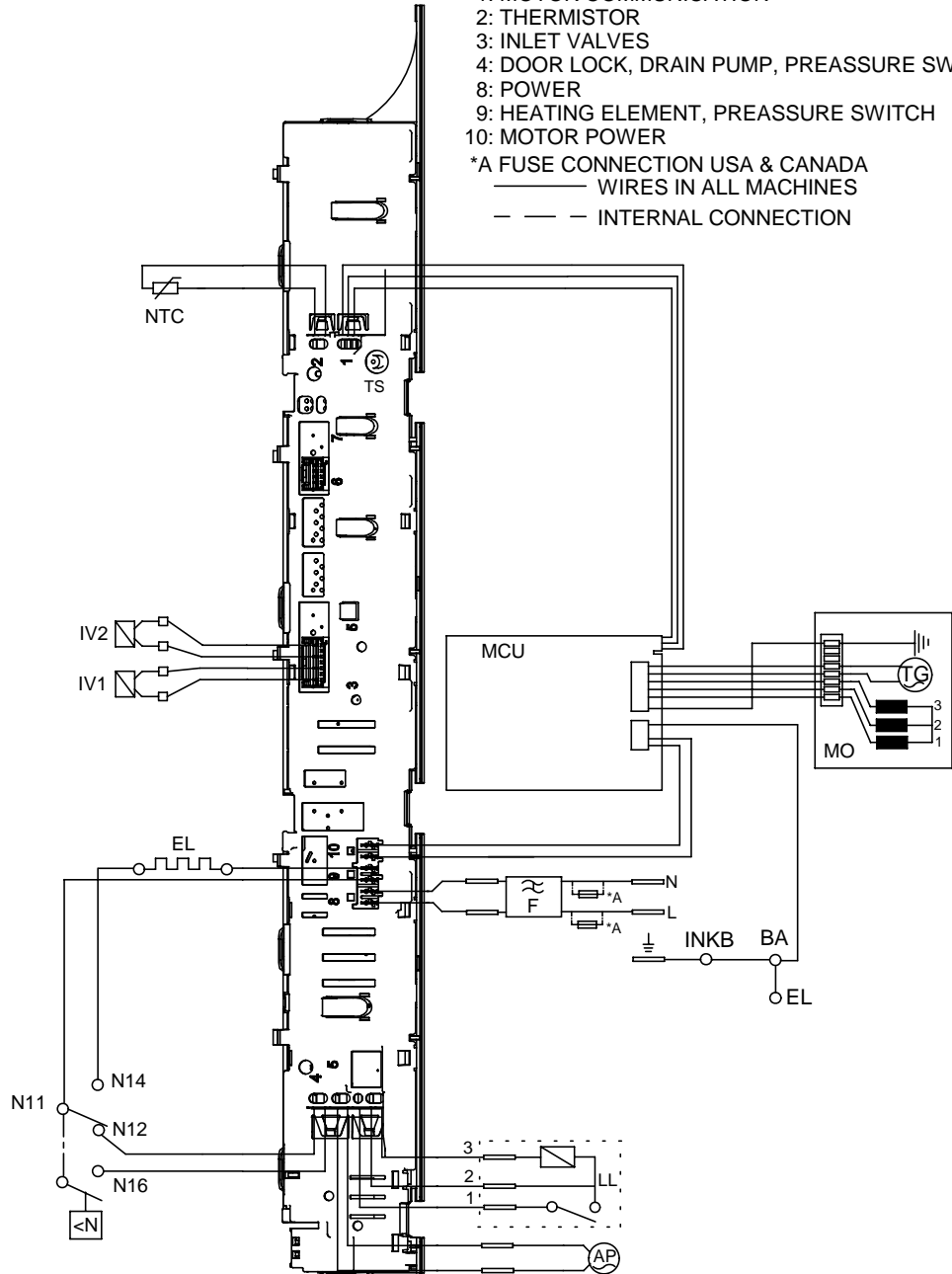
ASKO, W6863 US - Ti (WM60.2)

Pos	Spare part No.	Description	Qty	Comment
601	8076033-81	OUTER DOOR	1 Pc's	
601-a	8900352	Screw Access Panel 05/06	6 Pc's	
602	8076565-49	INNER DOOR	1 Pc's	
605	8077599-81	HINGE UPPER R	1 Pc's	
605-a	8900327	Screw 20 Torx Self Tapping	3 Pc's	
606	8079489-81	HINGE UPPER L	1 Pc's	
606-a	8900327	Screw 20 Torx Self Tapping	3 Pc's	
608	8076032-81	HINGE DOOR LOWER	1 Pc's	
608-a	8901097	Screw Terminal	2 Pc's	
610	8077485-49	LOCK CATCH	1 Pc's	
616	8061865-81	Hinge Bearing 700 Series	2 Pc's	
617	8061953-81	door plug titanium	1 Pc's	
622	8076079-49	COVER FOR LOCK/LOCK HOOK	1 Pc's	
622	8076079-81	COVER FOR LOCK/LOCK HOOK	1 Pc's	

CABLE POSITIONS

- 1: MOTOR COMMUNICATION
- 2: THERMISTOR
- 3: INLET VALVES
- 4: DOOR LOCK, DRAIN PUMP, PREASSURE SWITCH
- 8: POWER
- 9: HEATING ELEMENT, PREASSURE SWITCH
- 10: MOTOR POWER

*A FUSE CONNECTION USA & CANADA
 ——— WIRES IN ALL MACHINES
 - - - INTERNAL CONNECTION



**RESISTANCES AT ROOM TEMPERATURE (CA. 20°C/68°F)
 VALUES WITHIN +/-10% ARE REGARDED AS NORMAL COMPONENT**

- F: RADIO INTERFERENCE SUPPRESSION FILTER 680K Ohm
- EL: HEATING ELEMENT 25 Ohm
- AP: DRAIN PUMP 50 Hz 144 Ohm
- AP: DRAIN PUMP 60 Hz 76 Ohm
- LL: DOOR LOCK, 1-2 122 Ohm
- NTC: THERMISTOR 6.1 - 3.8 K Ohm
- IV 1: INLET VALVE 1 3.7 K Ohm
- IV 2: INLET VALVE 2 3.7 K Ohm
- MO: MOTOR, 1-3 3,7±7% Ohm
- 1-2 3,6±7% Ohm
- 2-3 3,6±7% Ohm
- MCU: MOTOR CONTROL UNIT
- N: PRESSURE SWITCH
- TS: PRESSURE SENSOR
- TG: TACHO GENERATOR
- BA: CONTAINER
- INKB: INCOMING GROUND



SERVICE MENU

- TURN OFF POWER (S1)
- WAIT FOR AT LEAST 5 SEC
- HOLD S6 OR S7
- TURN ON POWER (S1)
- PRESS S6 OR S7 3 TIMES TO ENTER SERVICE MENU

- PRESS DOOR OPENING (S14) TO CHANGE MENU STEP
- ROTATE DIAL TO CHANGE IN STEP
- PRESSING START/STOP (S13) STORES AND EXITS SERVICE MENU

- STEP 1: PRODUCT DATA
- STEP 2: FAILURE DATA
- STEP 3: COMPONENT TEST

TOTAL RESET

- TURN OFF POWER (S1)
- WAIT FOR AT LEAST 5 SEC
- HOLD DOOR OPENING (S14)
- TURN ON POWER (S1)

CIRCUIT DIAGRAM WM60.2

80 807 15 - 02

This document must not be copied without our written permission, and the contents thereof must not be imparted to a third party nor be used for any unauthorized purpose. Contravention will be prosecuted.
 Askö Cyllinda AB