



The Life of the Kitchen.®

# PARTS CATALOG

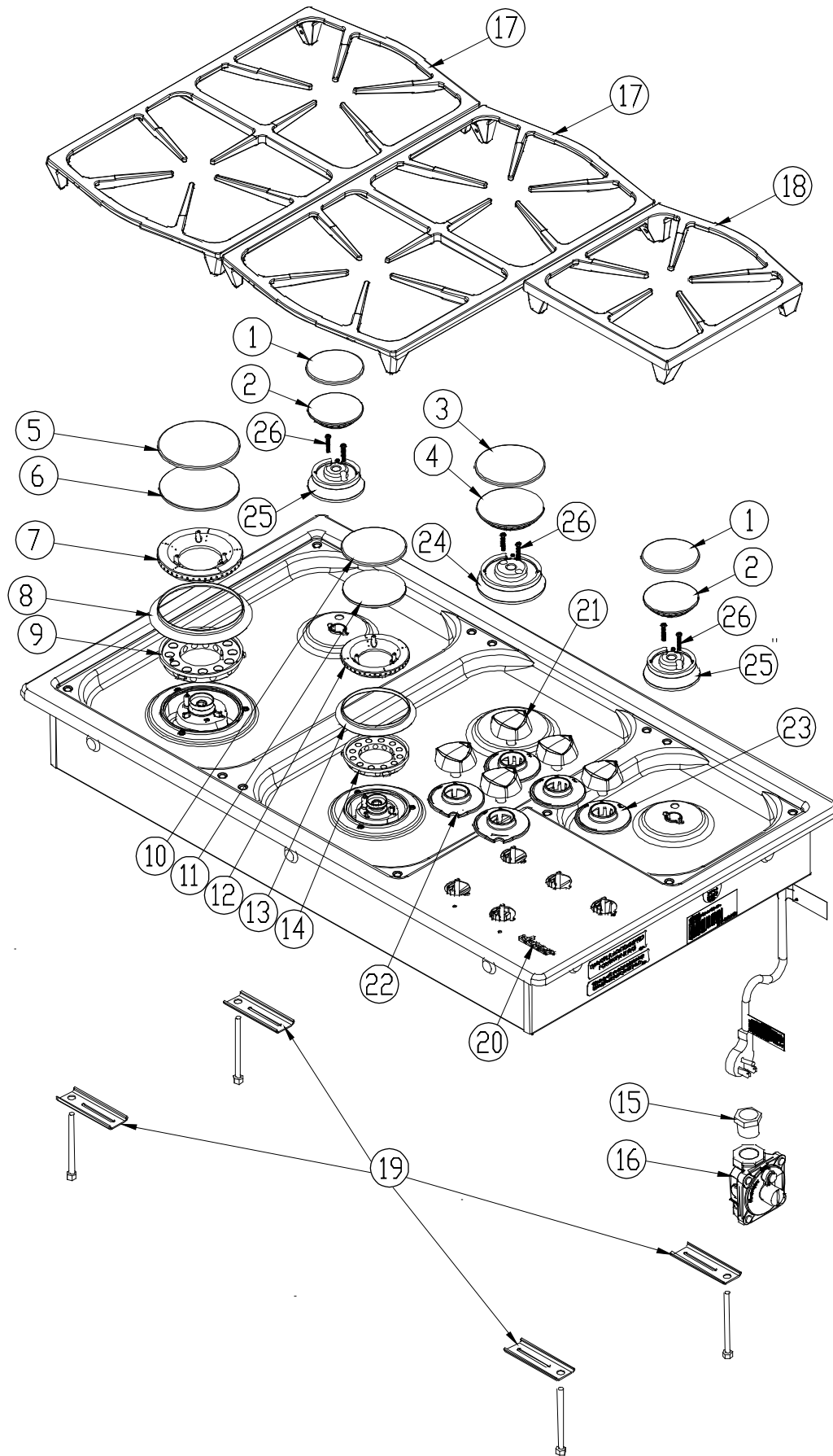
## PGM365-1 Cooktop

Page #	Description
2	Top Assembly
3	Top Assembly Parts
4	Upper Assembly
5	Chassis Assembly
6	Burner Tubes
7	Burner Bases and Igniters*

\* **IMPORTANT:** This model is not approved for field conversions from one gas type to another and from one altitude setting to another.

Revised 02-01-2012

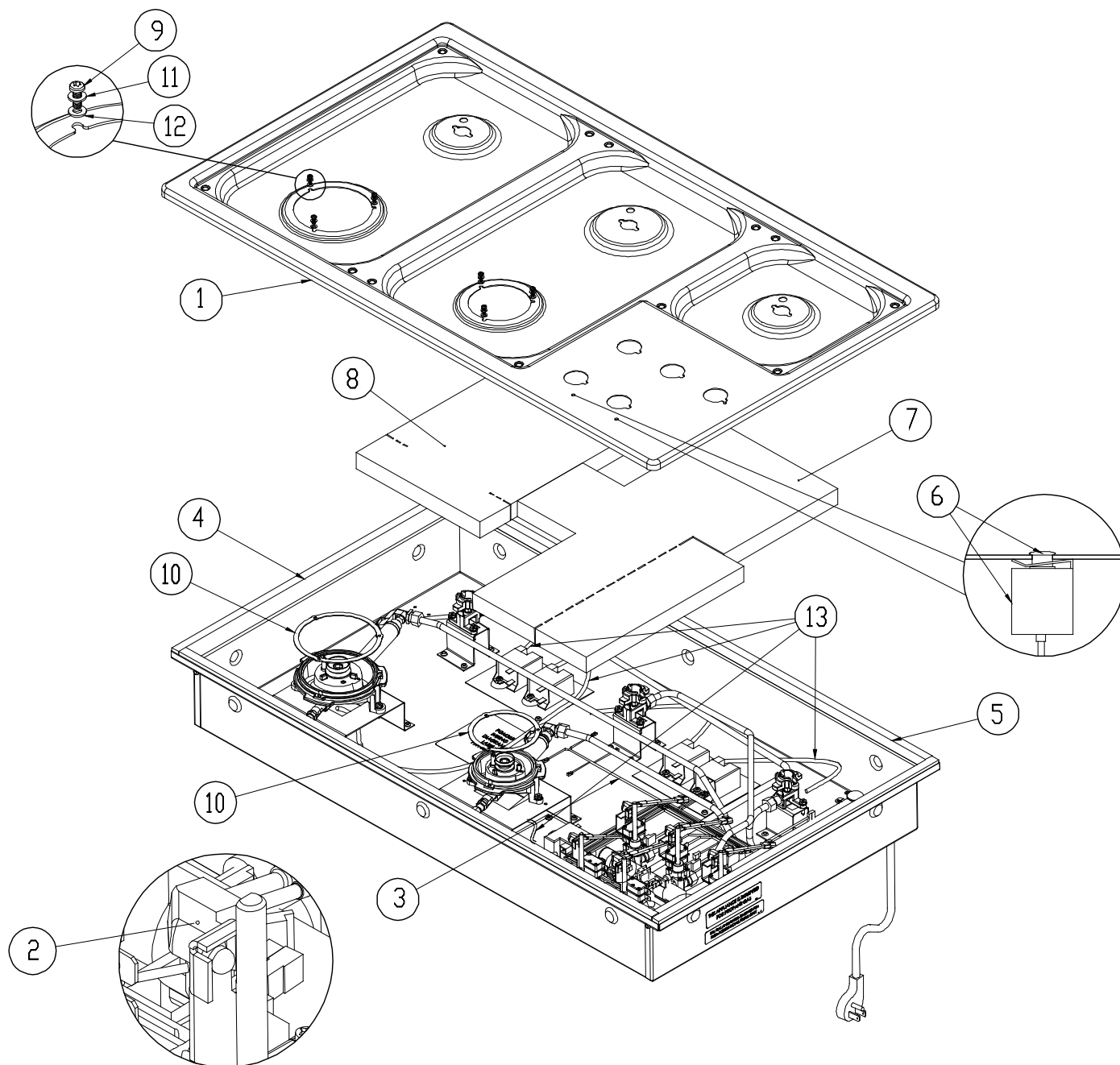
# PGM365-1 Top Assembly



# PGM365-1 Top Assembly Parts

Item	Part #	Description
1	92235	Burner Head Cover, 'B' Single
2	92233	Burner Head, 'B' Single
3	92236	Burner Head Cover, 'C' Single
4	92234	Burner Head, 'C' Single
5	92232	Top Cap Cover, 'D' Dual
6	92230	Top Cap, 'D' Dual
7	92170	Burner Head, 'D' Dual
8	92226	Cross Ring Skirt, 'D' Dual
9	92195	Asy, Cross Ring, 'D' Dual
10	92231	Top Cap Cover, 'C' Dual
11	92460 <sup>1</sup>	Top Cap, Flat, 'C' Dual <sup>1</sup>
12	103736	Burner Head, 'C' Dual
13	92459 <sup>2</sup>	Cross Ring Skirt, 'C' Dual <sup>2</sup>
14	92388 <sup>3</sup>	Asy, Cross Ring, 'C' Dual <sup>3</sup>
15	83458	Reducer Bushing
16	62834	Regulator, 3/4", NG
16	72980	Regulator, 3/4", LP
17	72733SB	Grate, Double
18	72732SB	Grate, Single
19	12269	Hold Down Bracket
20	72945CH	Dacor Logo
21	72731	Knob
22	72742	Spill Protector w/ Simmer
23	72741	Spill Protector w/ Gasket
24	700175	Asy, Burner Base, 'C' Single
25	700174	Asy, Burner Base, 'B' Single
26	83716	Screw, Torx, #6-32 x 7/8"
-	66984	O-Ring, 'B' Single Burner (Not Shown)
-	66983	O-Ring, 'C' Single Burner (Not Shown)
<sup>1</sup> On PGM365S use 92229 for models prior to Rev. G.		
<sup>2</sup> On PGM365S use 92225 for models prior to Rev. G.		
<sup>3</sup> On PGM365S use 92196 for models prior to Rev. G.		

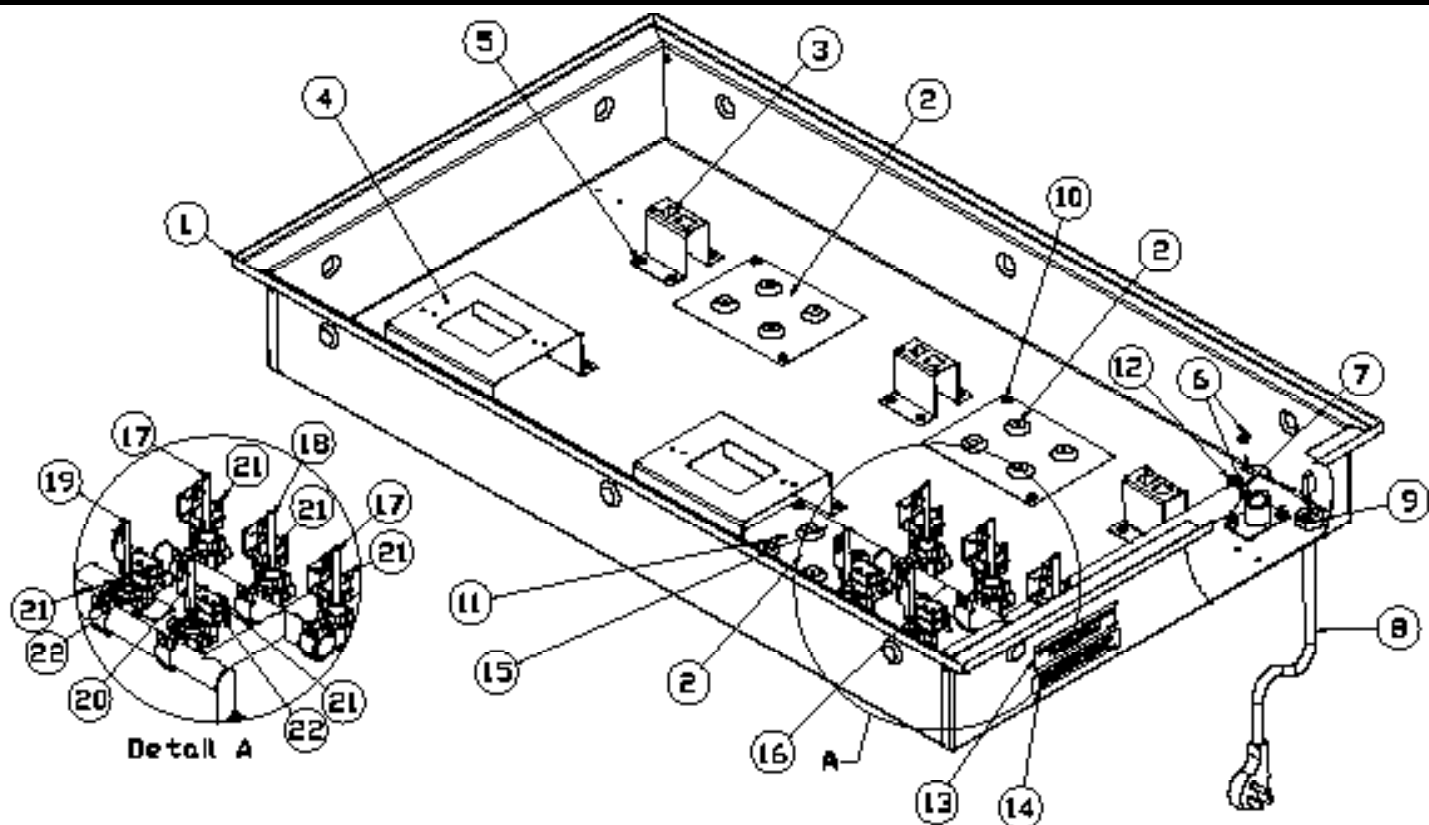
# PGM365-1 Upper Assembly



Item	Part #	Description
1	700193	Top Frame Stainless
1	700194	Top Frame Black
1	700195	Top Frame Arctic
2	100950 <sup>1</sup>	Service Kit, LED <sup>1</sup>
3	72528	Wire Harness
4	92310-001	Gasket, Foam, Chassis/Top Frame
5	92310-003	Gasket, Foam, Chassis/Top Frame
6	62036	Indicator Light, Blue
7	81609	Insulation, Igniter Module

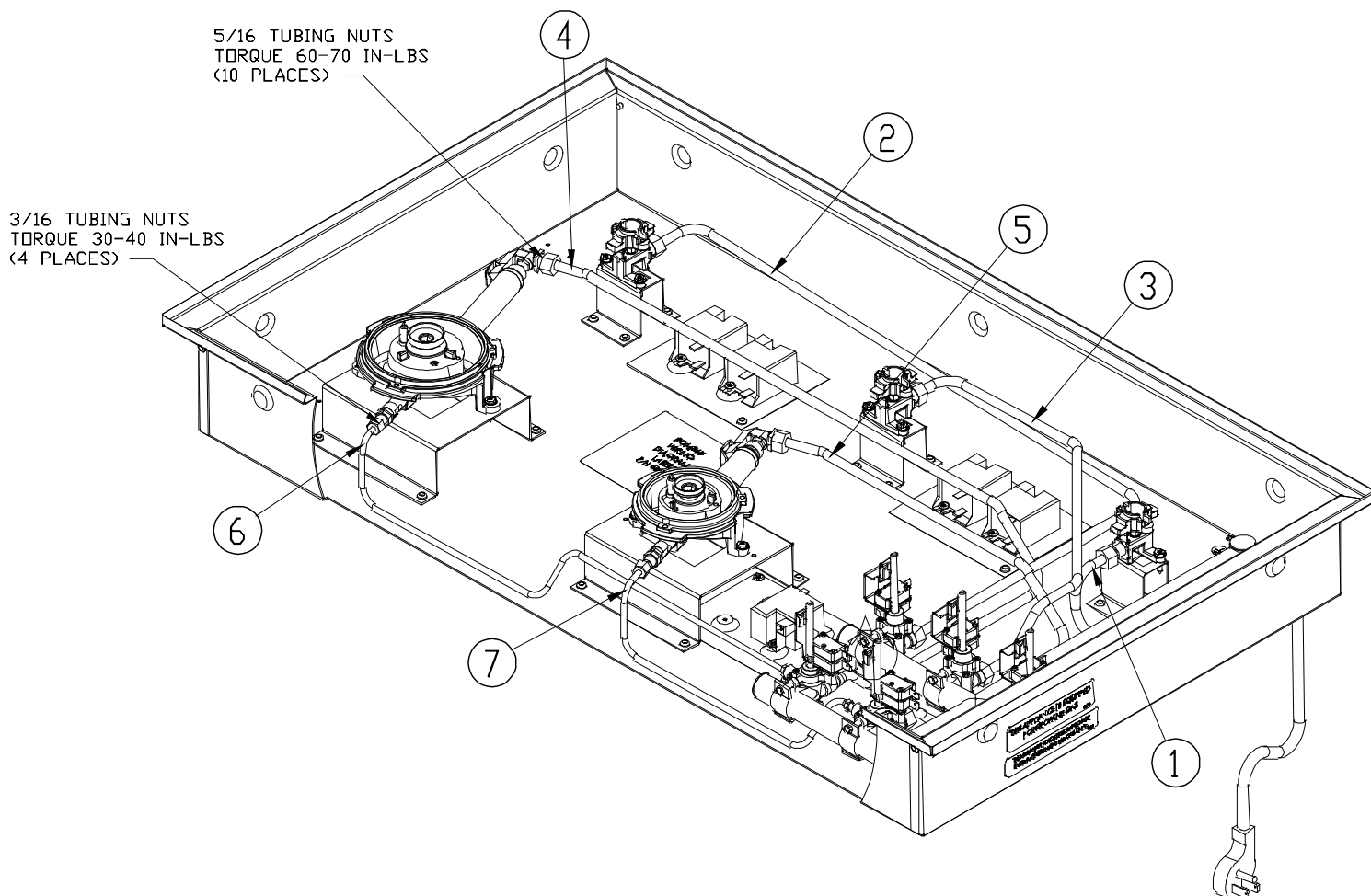
Item	Part #	Description
8	81608	Insulation, Igniter Module, Left
9	83707	Screw, Pan HD, #6-32 x .375"
10	76451 <sup>2</sup>	Gasket/Washer, Graphite <sup>2</sup>
11	83719	Washer, #6, SS
12	83720	Washer, Graphite #6
13	66978	Igniter Wire, Service
<sup>1</sup> Kit # 100950 includes 1 LED assembly and 1 holder		
<sup>2</sup> Kit # 76451 includes 1 C size gasket, 1 D size gasket and 6 washers		

# PGM365-1 Chassis Assembly



Item	Part # NG	Part # NGH	Part # LP	Part # LPH	Description
1	N/A	N/A	N/A	N/A	Chassis Box
2	N/A	N/A	N/A	N/A	Mounting Plate, Igniter
3	N/A	N/A	N/A	N/A	Support Channel, Single
4	N/A	N/A	N/A	N/A	Support Channel, Dual
5	N/A	N/A	N/A	N/A	Rivet, 1/8 x 1/4"
6	83048	83048	83048	83048	Nut, Hex Keys, #8-32
7	83572	83572	83572	83572	Screw, Phil, #8-32 x 1"
8	72765	72765	72765	72765	Power Supply Cord
9	83141	83141	83141	83141	Bushing, Strain Relief
10	83001	83001	83001	83001	Screw, Phil, #8 x 1/4"
11	N/A	N/A	N/A	N/A	Regulator Label
12	N/A	N/A	N/A	N/A	Ground Symbol Label
13	N/A	N/A	N/A	N/A	Propane Gas Label
14	N/A	N/A	N/A	N/A	Hi-Altitude Label
15	65406	65406	65406	65406	Label, UL/CUL Rating
16	72797NG	72797NGH	72797LP	72797LPH	Asy, Manifold/Valve
17	66953NG	66953NGH	66953LP	66953LPH	'B' Single Burner Valve
18	66971NG	66971NGH	66971LP	66971LPH	'C' Single Burner Valve
19	66972NG	66972NGH	66972LP	66972LPH	'D' Dual Burner Valve
20	66955NG	66955NGH	66955LP	66955LPH	'C' Dual Burner Valve
21	66986	66986	66986	66986	Microswitch "NO"
22	66987	66987	66987	66987	Microswitch "NC"

# PGM365-1 Burner Tubes

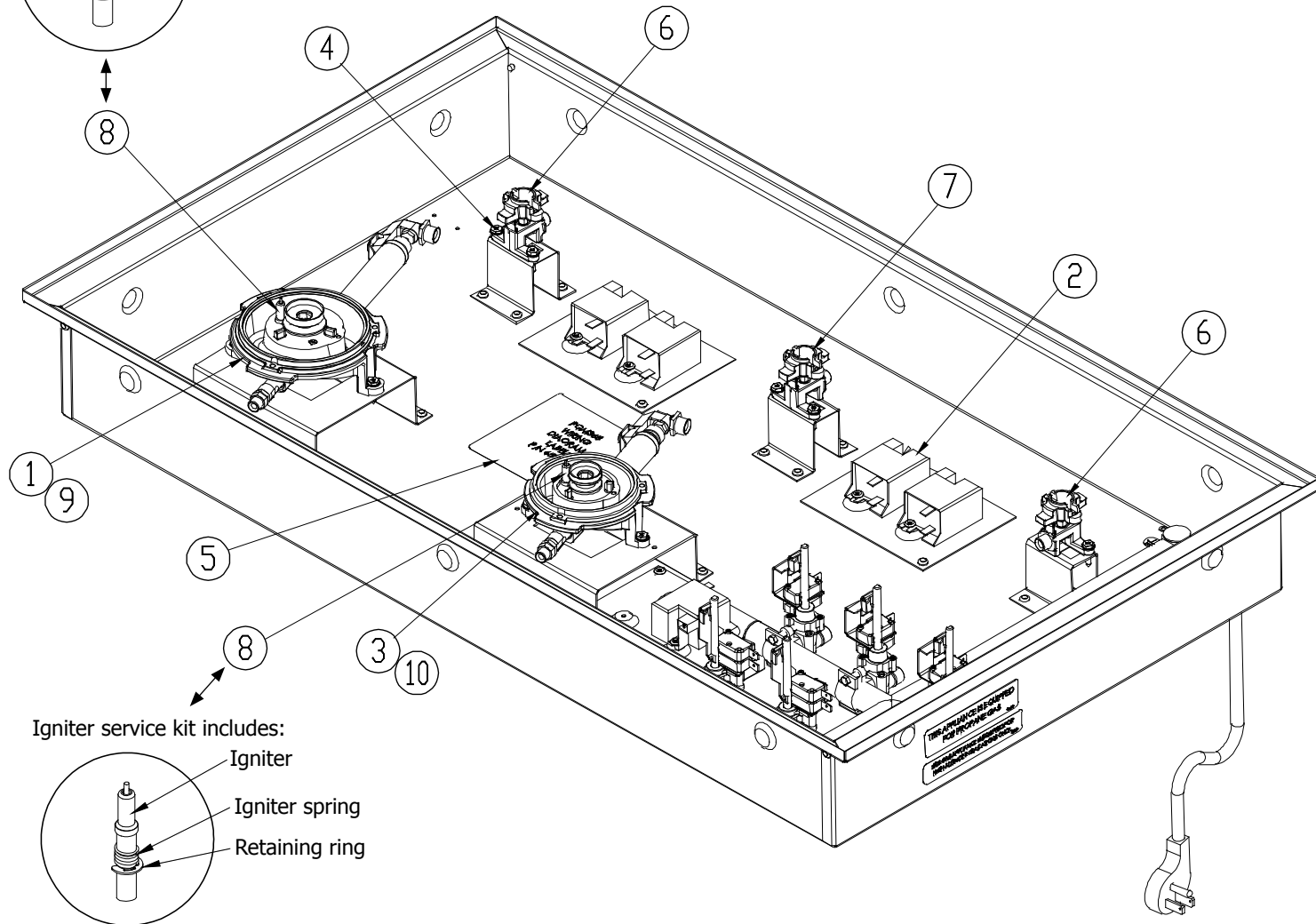
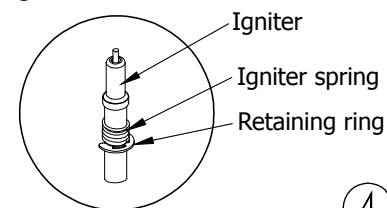


Item	Part #	Description
1	72783	Tube, Burner #3, 5/16"
2	72781	Tube, Burner #1, 5/16"
3	72782	Tube, Burner #2, 5/16"
4	72784	Tube, Burner #4, 5/16"
5	72786	Tube, Burner #5, 5/16"
6	72785	Tube, Burner #4, 3/16" Simmer
7	72787	Tube, Burner #5, 3/16" Simmer



# PGM365-1 Burner Bases and Igniters

Igniter service kit includes:



Item	Part # NG	Part # NGH	Part # LP	Part # LPH	Description
1	103744-01 <sup>1</sup>	103744-03 <sup>1</sup>	103744-02 <sup>1</sup>	103744-04 <sup>1</sup>	'D' Dual, Burner Base, 18k <sup>1</sup>
2	72634	72634	72634	72634	Igniter Module
3	103747-01 <sup>1</sup>	103747-03 <sup>1</sup>	103747-02 <sup>1</sup>	103747-04 <sup>1</sup>	'C' Dual, Burner Base, 12.5k <sup>1</sup>
4	83700	83700	83700	83700	Screw, Phil, #10 x 3/4"
5	N/A	N/A	N/A	N/A	Label, Wiring Diagram
6	72806NG	72806NGH	72806LP	72806LPH	Jet Holder, 'B' Single
7	72809NG	72809NGH	72809LP	72809LPH	Jet Holder, 'C' Single
8	76245 <sup>2</sup>	76245 <sup>2</sup>	76245 <sup>2</sup>	76245 <sup>2</sup>	Igniter Service Kit <sup>2</sup>
9	103756	103756	103756	103756	'D' Inner, Burner Base
10	103801	103801	103801	103801	'C' Inner, Burner Base

<sup>1</sup>Base includes igniter, to replace igniter only, order igniter service kit, item 8

<sup>2</sup>Kit # 76245 includes 1 igniter, 1 igniter retaining ring and 1 igniter spring