

The Dacor logo is written in a bold, italicized, sans-serif font.

Family-Owned. American-Made.

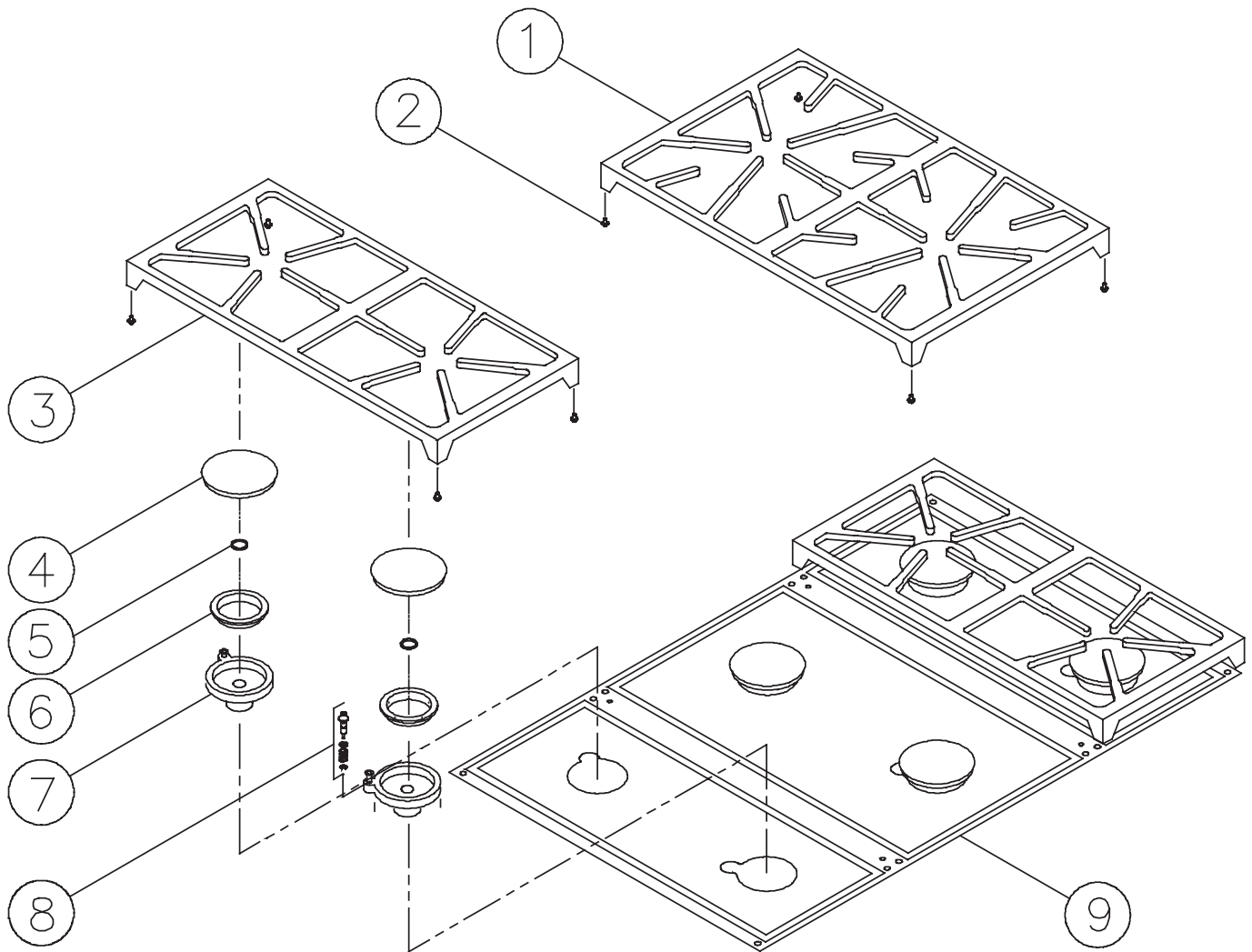
A photograph of a stainless steel Dacor ESG cooktop with a white ceramic bowl on the burner. The background shows a kitchen counter with various items like a coffee maker and a basket of bread.

# PARTS CATALOG

## ESG Cooktop

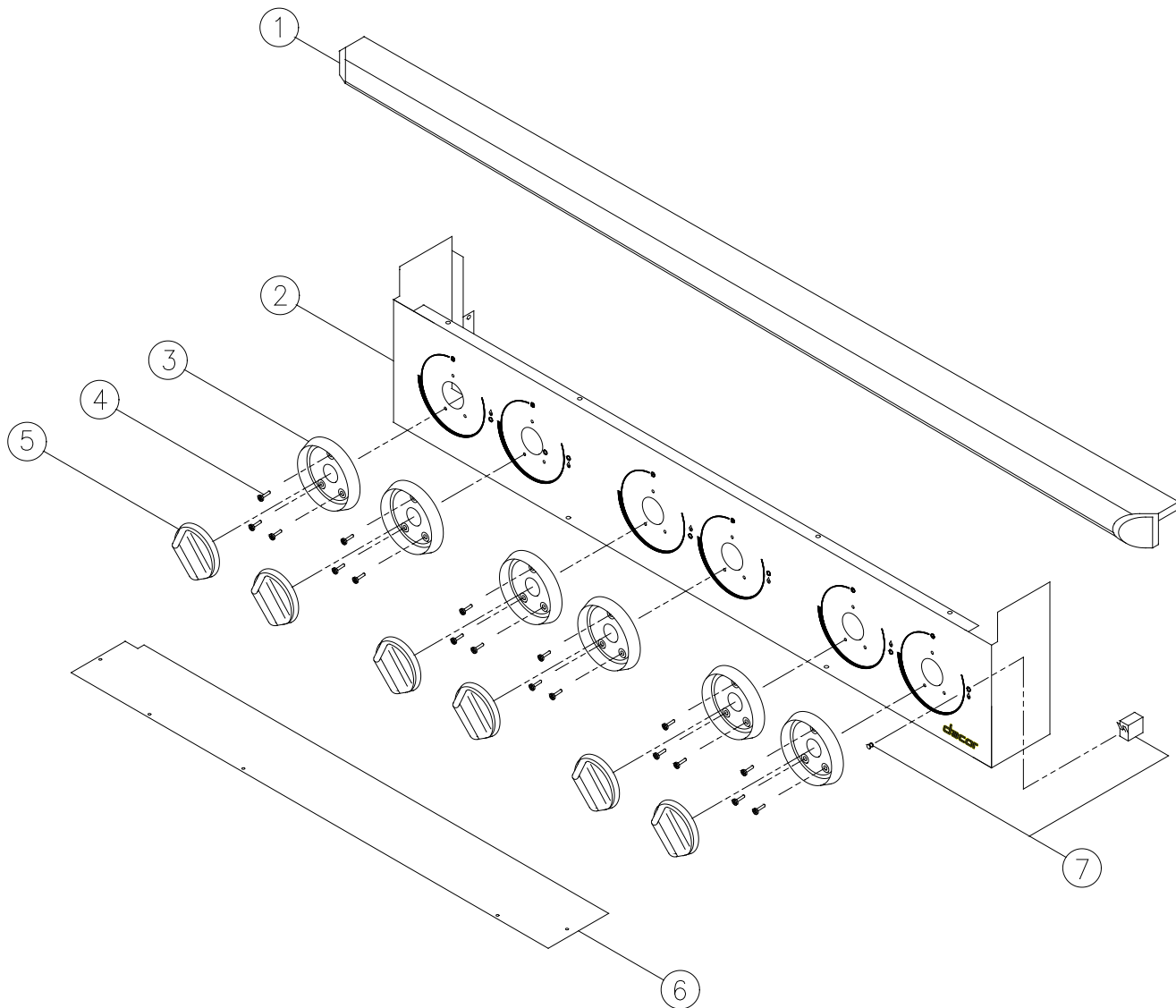
<b>ESG366</b>	<b>ESG486</b>	
Top Frame	Gas Tubing A	Top Frame
Control Panel	Gas Tubing B	Control Panel A
Chassis	Fan Assembly	Control Panel B
	Manifold B	Manifold A
Manifold	Updates	

# ESG366 Top Frame Assy



Ref #	Part #	Description
1	72434SB	Grate 14"
2	86474	Grate Support Pad
3	72433SB	Grate 10"
4	72435SB	D-Burner Cap
5	86405	Brass Nut
6	82564	D-Burner Ring
7	62954	D-Burner Head
8	76482-001	Igniter Assembly
9	26959BP	Spill Tray

# ESG366S Control Panel Assy



<u>Ref. #</u>	<u>Part #</u>	<u>Description</u>
1	66833SBK,SBR, SCH, SCP	ASY, BULLNOSE
2	26911E *	CONTROL PANEL
	*13728BK, CH,CP	ASY, CONTROL PANEL W/LOGO
3	100122CH	TRIM RING
4	83571	SCREW, WASHER HEAD, #8 x 3/8"
5	62021B	KNOB, EPICURE
6	26968	CONTROL PANEL, BOTTOM, FRONT
7	62036	INDICATOR LIGHT, BLUE NEON

**dacor.**



The life of the kitchen™

**Date:** 3-26-01

**Re:** Bullnose and Trim Parts Changes

---

**Products Covered:**  
ESG366

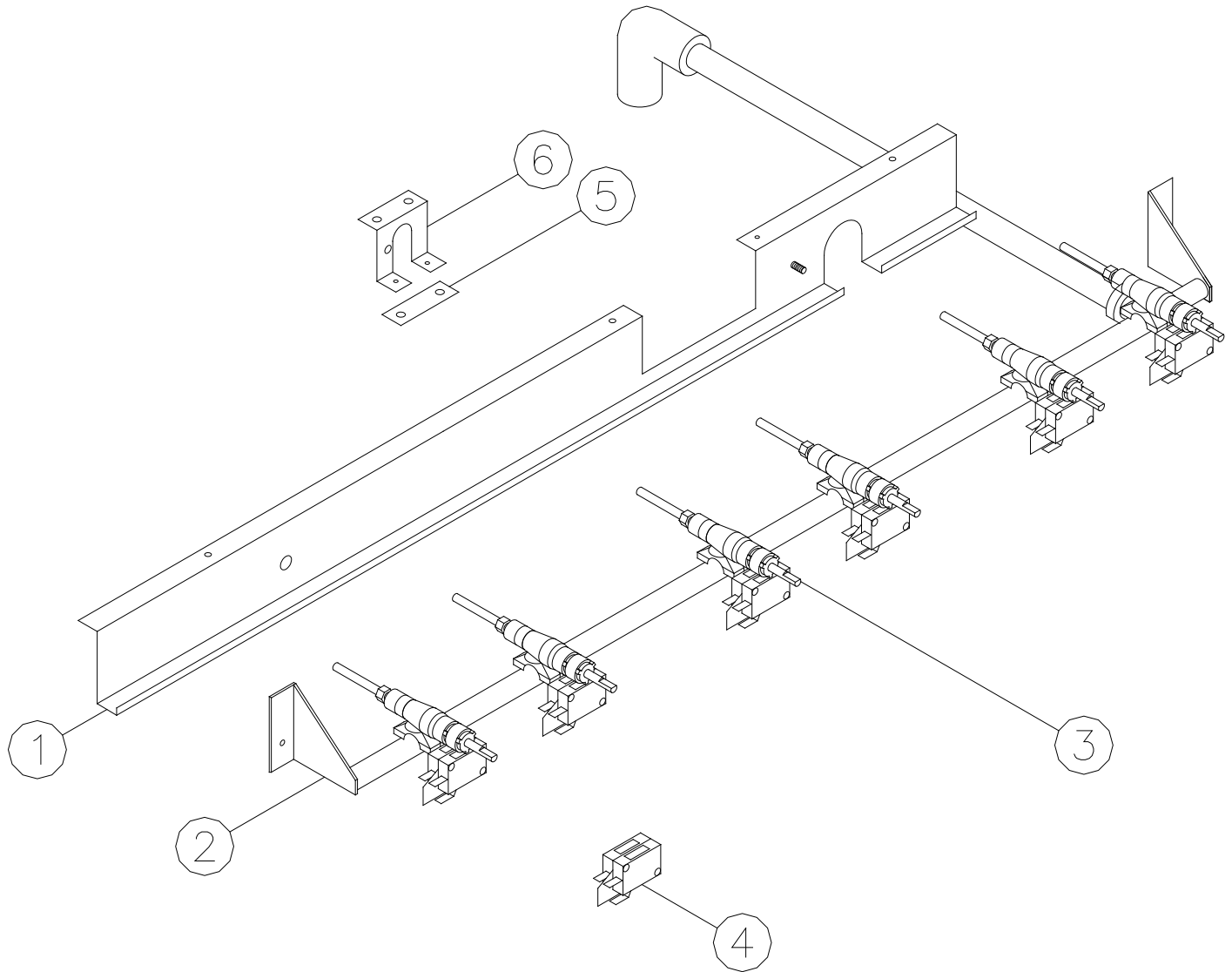
**Revision Level Change:**  
ESG366 – SC1130134

**Condition:**

For units *without* grate supports, AFTER the serial break, use Bullnose part number 66833SBK, SBR, SCH, SCP  
Rear Trim 38204, Left Trim 36548, Right Trim 36543

For units *with* grate supports, BEFORE the serial break, use Bullnose part number 86567BK, BR, CH, CP  
Rear Trim 27426, Left Trim 26926, Right Trim 26925

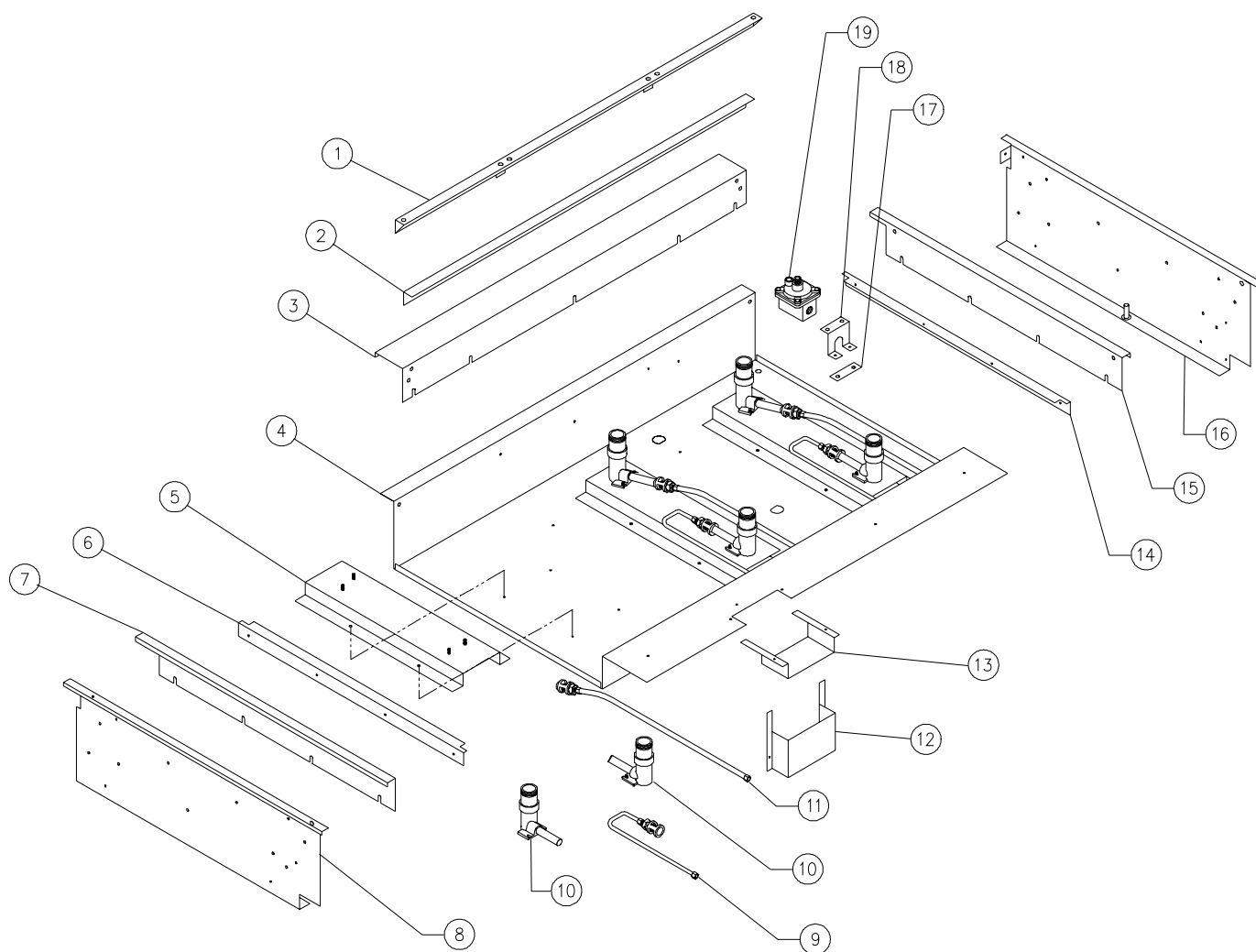
# ESG366 Manifold Assy



Ref #	Part #	Description
1	27473	Bottom Rear Control Panel Assy
2	62285	Manifold Assy NG
	62321	Manifold Assy LP
	62326	Manifold Assy NGH
	62327	Manifold Assy LPH
3	86554	Gas Valve
	86553	Gas Valve LP
	86551	Gas Valve NGH
	86552	Gas Valve LPH
4	86576	Switch
5	36011	Bracket, Manifold Gas Pipe
6	36012	Tie, Bracket Manifold Gas Pipe

**dacor**<sup>®</sup>

# ESG366S - CHASSIS ASSEMBLY



Ref.#	Part #	Description	Ref.#	Part #	Description
1	36463	Grate Support Assembly	14	26784B	Side Support
2	36542BP	Front/Rear Top Frame Support	15	36543	Side Trim, Right
3	27703	Rear Trim Assembly	16	27400	Right Side Support Assembly
4	26931	Chassis Wrap	17	36012	Tie, Manual Gas Pipe Bracket
5	27396	Burner Mounting Channel Assembly	18	36011	Manual Gas Pipe Bracket
6	26784B	Side Support	19	82540	Gas Regulator
7	36548	Left Trim			For use on units prior to Serial Number SA8020003
8	27397	Left Side Support Assembly	**	62320	3/4" Regulator - NG
9	62323	Front Burner Tube, 3/8"			For use on units after Serial Number SA8020003
10	62325	Burner Mounting Base	**	62434	3/4" Regulator - LP
11	62394	Rear Burner Tube, 3/8"			For use on units after Serial Number SA8020003
12	36010	Fan Duct	***	83423	Terminal Block (not shown)
13	36009	Fan Duct			

DACOR Technical Service

P.O. Box 6530 Diamond Bar, CA 91765 800-793-0093 - Fax: 909-612-1702



The life of the kitchen™

Date: 6-24-04

Re: Bullnose, Side and Rear Trim Parts Changes

---

**Products Covered:**

ESG486

**Revision Level Change:**

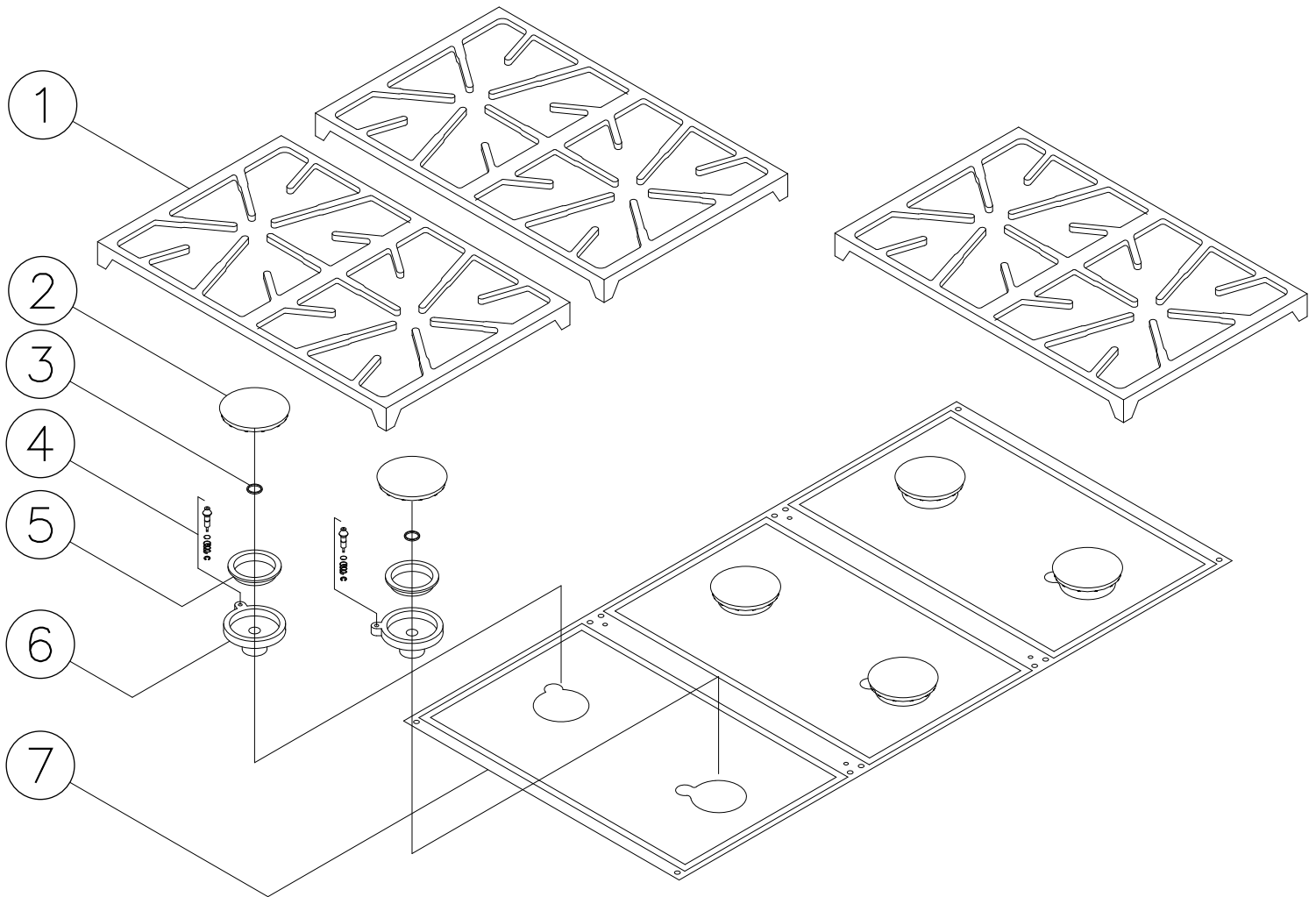
ESG486 – SC1130144

**Condition:**

For units *without* grate supports, AFTER the serial break, use Bullnose part number 66834BK, BR, CH, CP  
Rear Trim 27705, Left Trim 36547, Right Trim 36545

For units *with* grate supports, BEFORE the serial break, use Bullnose part number 86590BK, BR, CH, CP  
Rear Trim 27705, Left Trim 26779, Right Trim 36545

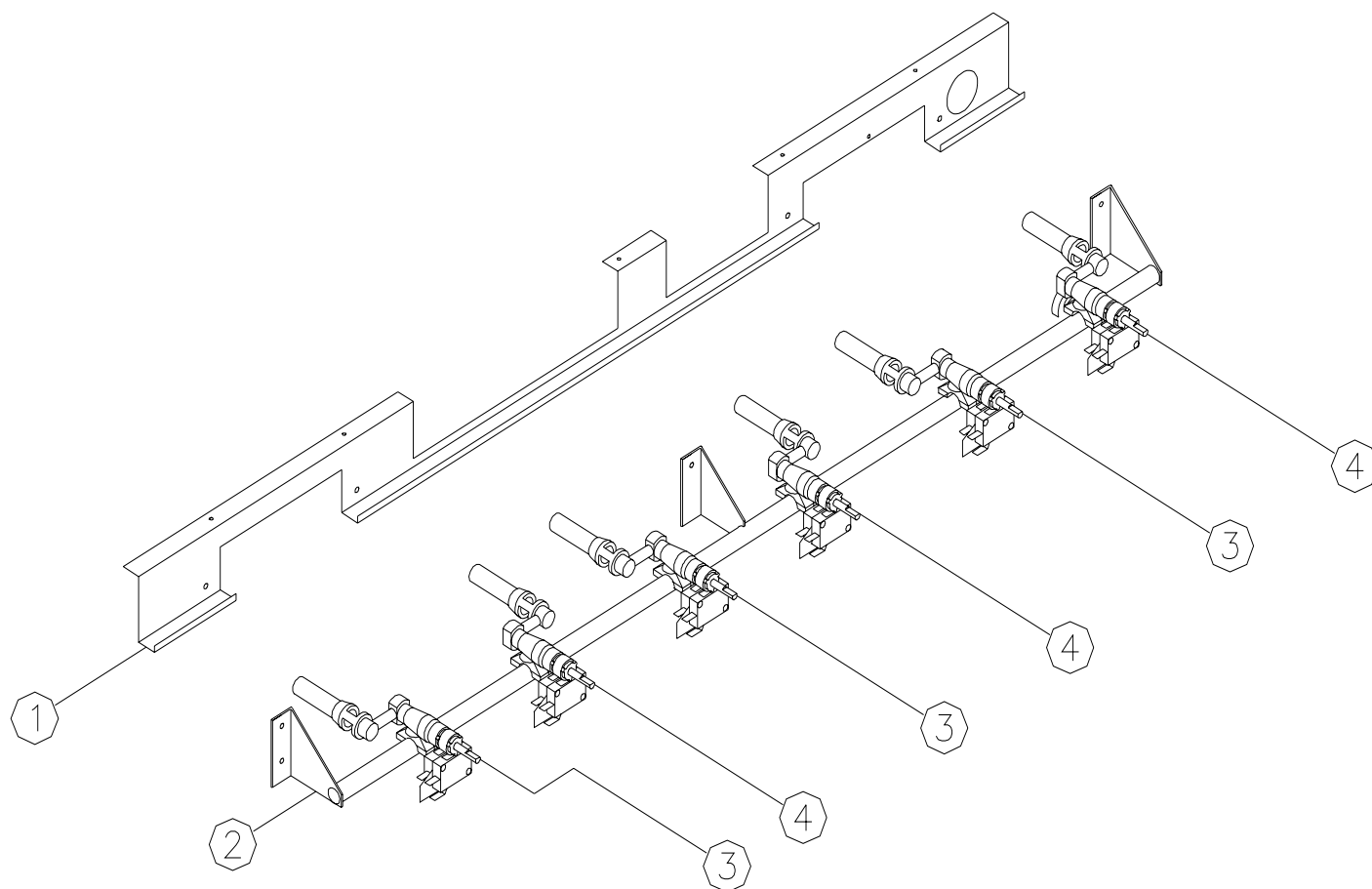
# ESG486 Top Frame Assembly



Ref #	Part #	Description
1	72434SB	Grate Pack, 14"
2	62022BM	'D' Burner Cap
3	86405	Brass Nut
4	86117	Ignitor Assembly Kit
5	82564	'D' Burner Ring
6	62954	'D' Burner Head w/ Ignitor
7	26746BP	Spill Tray



# ESG486 - MANIFOLD ASSEMBLY - LEVEL A



REF. #	PART #	DESCRIPTION
1	26843	BOTTOM REAR CONTROL PANEL
2	62031	GAS MANIFOLD - NATURAL
*	62032	GAS MANIFOLD - LP
3	86309	GAS VALVE - NG
*	86312	GAS VALVE - LP
4	86316	GAS VALVE - NG
*	86318	GAS VALVE - LP
NOT SHOWN	36111	MANIFOLD BRACKET COVER
	36110	MANIFOLD GAS PIPE BRACKET
	86576	SWITCH

## HIGH ALTITUDE CHART

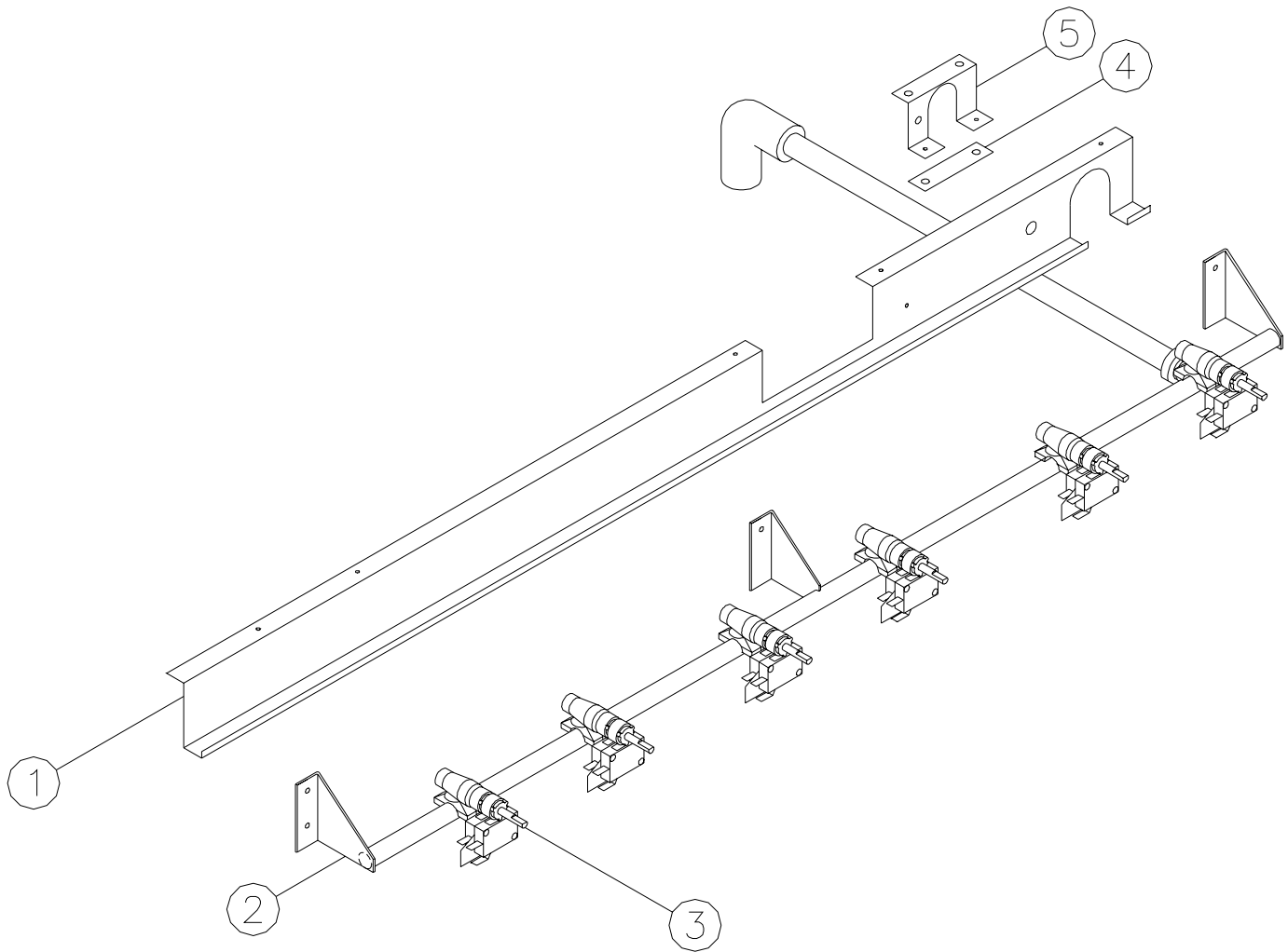
86310	GAS VALVE - NG/HA
86315	GAS VALVE - LP/HA
86317	GAS VALVE - NG/HA
86319	GAS VALVE - LP/HA

**DACOR Technical Service**

P.O. Box 6530 Diamond Bar, CA 91765 800-793-0093 - Fax: 909-612-1702

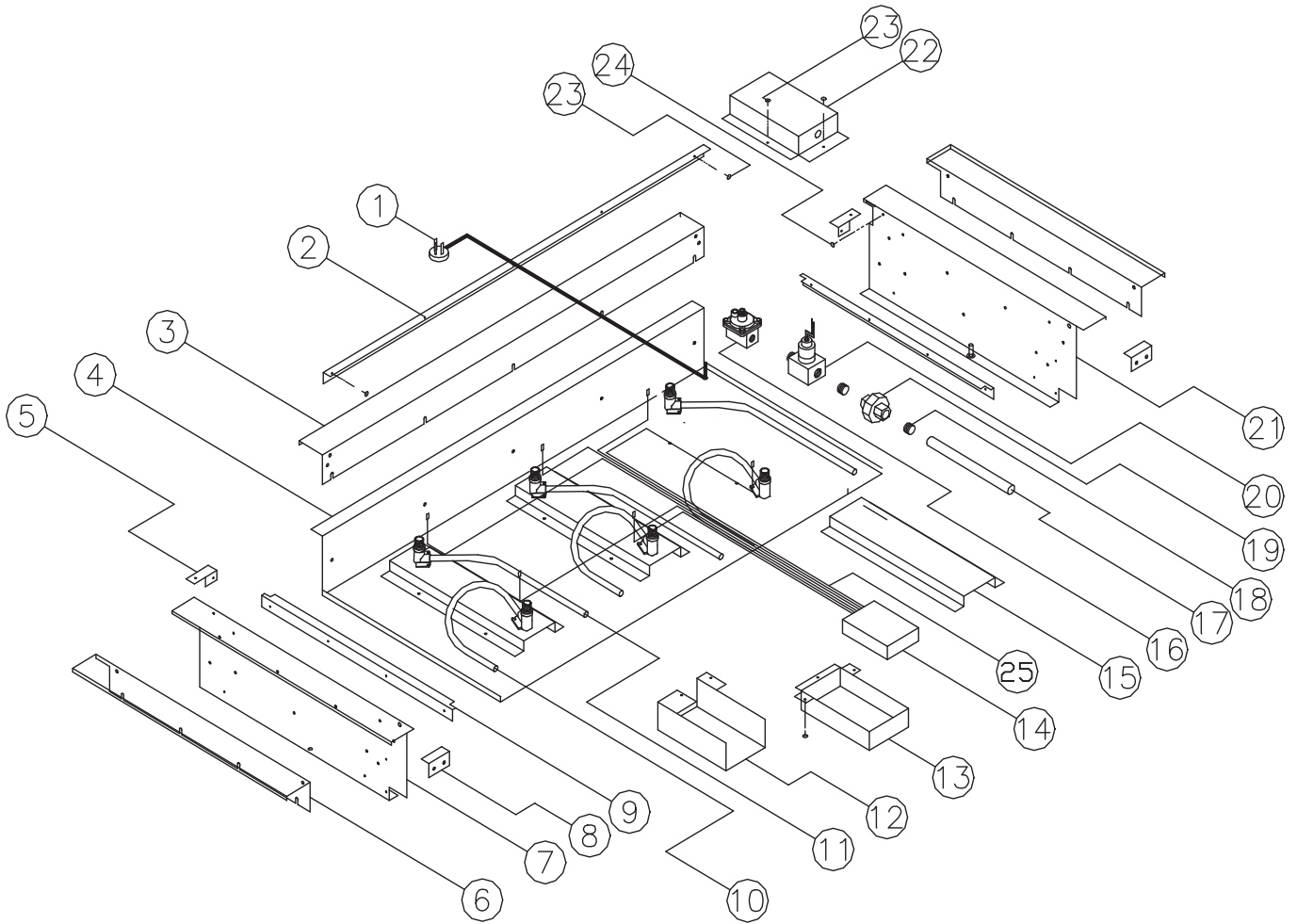
***dacor***<sup>®</sup>

# ESG486 - MANIFOLD ASSEMBLY - LEVEL B



REF #	PART #	DESCRIPTION
1	26843	BOTTOM REAR CONTROL PANEL
2	62397	GAS MANIFOLD ASSEMBLY, NG
*	62032	GAS MANIFOLD ASSEMBLY, LP
3	86554	GAS VALVE NG
*	86553	GAS VALVE LP
4	86576	SWITCH
5	36111	COVER, MANIFOLD BRACKET
6	36110	BRACKET MANIFOLD GAS PIPE
<b>HIGH ALTITUDE CHART</b>		
3	86551	GAS VALVE NG-H
3	86552	GAS VALVE LP-H

# ESG486 Gas Tubing Revision A

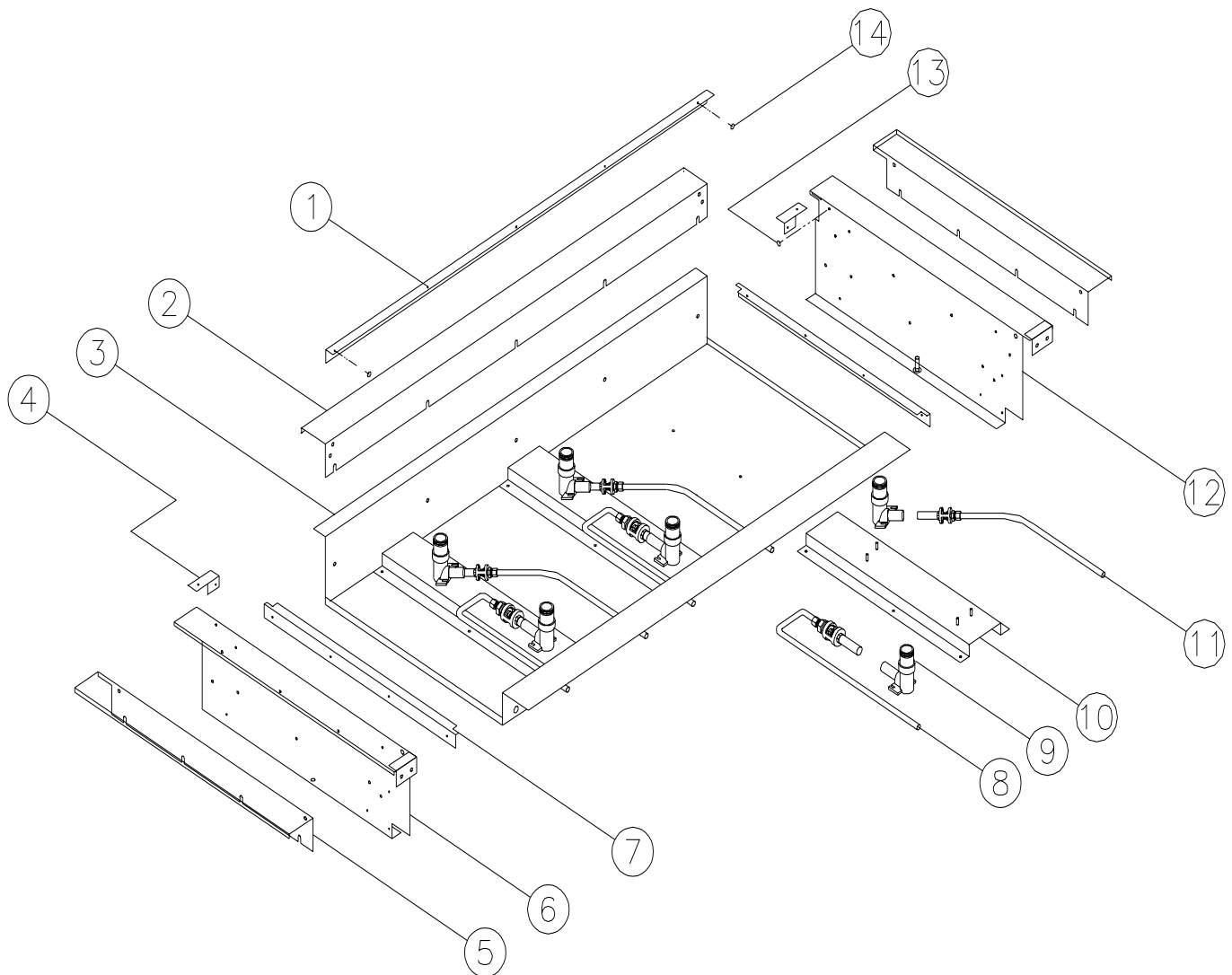


# ESG486 Gas Tubing Revision A

Ref #	Part #	Description
1	82562	Power Supply Cord
2	26783	RF Spill Tray Support
3	27705	Rear Trim
4	26782	Chassis Wrap
5	78271	Right Rear Bracket
6	26779	Left Trim
7	78260	Left Side Support
8	78444	End Cap Bracket
9	26784	Side Spill Tray Support
10	62024	Front Burner Tube
11	62025	Rear Burner Tube
12	26787	Regulator Mounting Bracket
13	27551	Spark Box Mounting Bracket
14	86528	Spark Module
15	27071	Burner Mounting Channel Assy
16	62320	Gas Regulator NG
*	62434	Gas Regulator LP
17	62227	1/2 X 10" Pipe Nipple
18	83371	1/2 X 1 1/2" Pipe Nipple
19	62225	1/2 X 2" Pipe Union
20	62226	Solenoid Gas Valve
21	78261	Right Side Support
22	26892	Regulator Cover
23	83024	Screw #8 X 3/8"
24	83534	Screw, Wager HD, #8 X 3/8"
25	62807	Spark Wire Harness



# ESG486 - GAS TUBING ASSEMBLY - LEVEL B



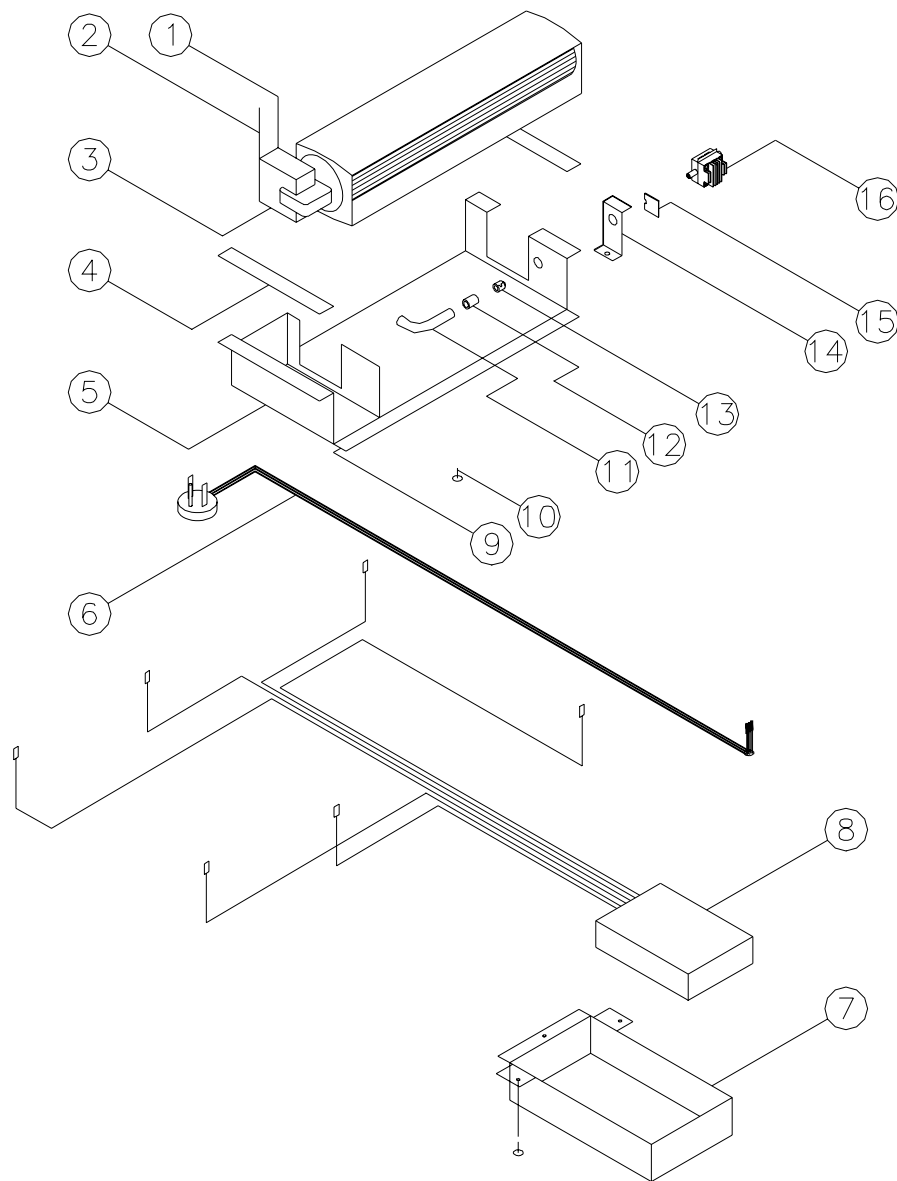
REF. #	PART #	DESCRIPTION	REF. #	PART #	DESCRIPTION
1	26783	F/R SPILL TRAY SUPPORT	11	62384	REAR BURNER TUBE (3) NG
2	27705	REAR TRIM	*	62380	REAR BURNER TUBE (3) LP
3	26782	CHASSIS WRAP	12	27184	RIGHT SIDE SUPPORT
4	78271	REAR BRACKET, RIGHT	13	83024	SCREW, #8 X 3/8"
5	26779	LEFT TRIM	14	83534	SCREW, WAFER HD, #8 X 3/8"
6	27178	LEFT SIDE SUPPORT	*	83423	TERMINAL BLOCK
7	26784	SIDE SPILL TRAY SUPPORT			
8	62385	FRONT BURNER TUBE (3) NG	8	62383	FRONT BURNER TUBE (3) NG/H
*	62381	FRONT BURNER TUBE (3) LP	8	62386	FRONT BURNER TUBE (3) LP/H
9	62325	BURNER BASE (6)	11	62382	REAR BURNER TUBE (3) NG/H
10	27396	BURNER MOUNTING CHANNEL ASSEMBLY	11	62387	REAR BURNER TUBE (3) LP/H

**DACOR Technical Service**

P.O. Box 6530 Diamond Bar, CA 91765 800-793-0093 - Fax: 909-612-1702

**dacor**<sup>®</sup>

# ESG486 - FAN ASSEMBLY OLD STYLE



REF. #	PART #	DESCRIPTION
1	14635	WHITE FAN WIRE
2	14632	BLACK FAN WIRE
3	62223	FAN
4	82440	FELT DAMPENER
5	27073	FAN ENCLOSURE ASSEMBLY
6	82562	POWER SUPPLY CORD
7	27551	SPARK BOX MOUNTING BRACKET
8	82318	SPARK MODULE AND MOUNTING HARNESS
9	62254	AIR SEAL/SPILL TRAY
10	62230	AIR SWITCH PIPE

REF. #	PART #	DESCRIPTION
11	83570	TRUSS SCREW, #6
12	62231	TUBING, 3/16"
13	62220	STUD RECEIVER
14	26889	AIR SWITCH BRACKET
15	83239	DOUBLE SIDED TAPE
16	62146	AIR SWITCH
*	86365	AIR SWITCH KIT

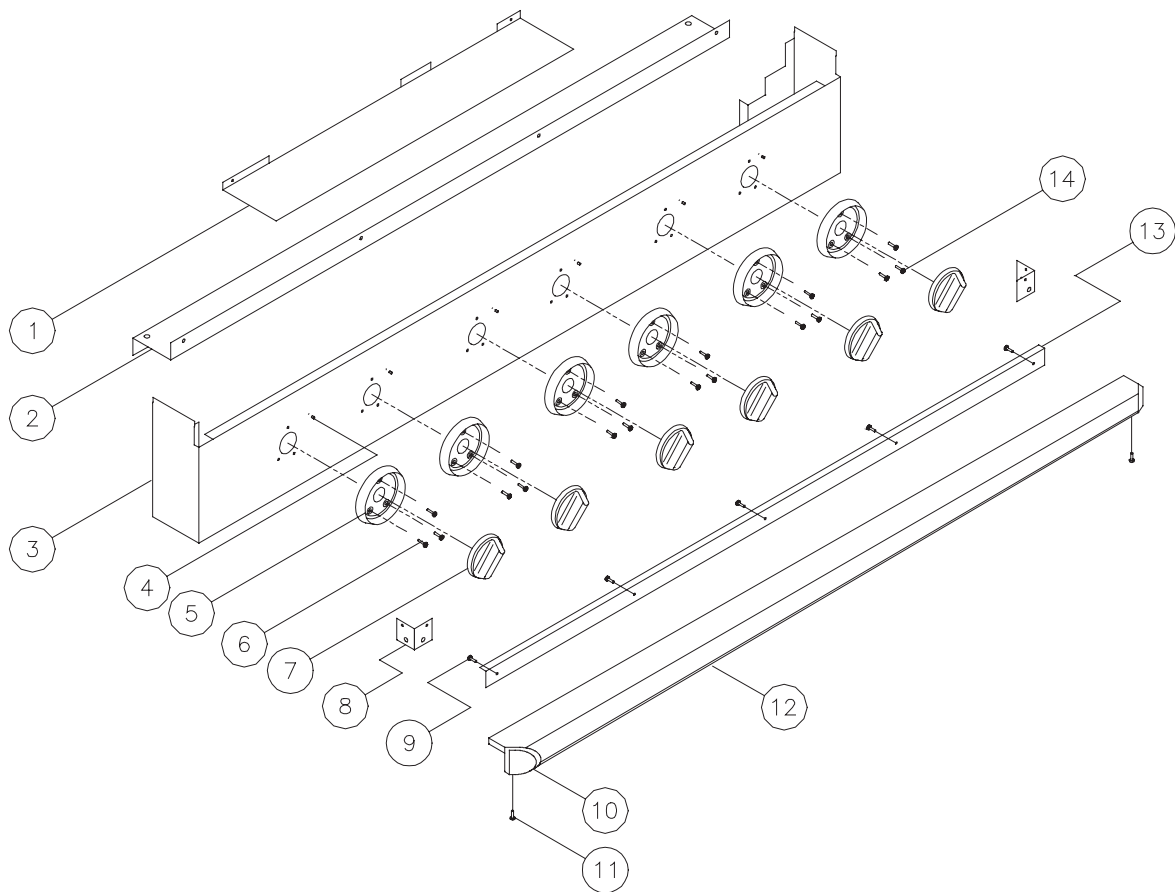
\*UNITS WITH A SN# PRIOR TO REVISION LEVEL B WILL REQUIRE PART # 86365 AFTER THIS REVISION LEVEL, ORDER PART #62146.

**DACOR Technical Service**

P.O. Box 6530 Diamond Bar, CA 91765 800-793-0093 - Fax: 909-612-1702

**dacor**<sup>®</sup>

# ESG486 New Control Panel



REF. #	PART #	DESCRIPTION
1	26886	BOTTOM MIDDLE CONTROL PANEL
2	26774	CHASSIS TOP
3	26780	FRONT CONTROL PANEL
4	62036	INDICATOR LIGHT
5	62020C	CHROME TRIM RING
6	83336	SCREW, PHIL PAN, #8 X 32 X 1/2
7	62021B	GAS CONTROL KNOB
8	26834	BRACKET, CORNER
9	83024	SCREW, PHIL TRS, #8-32 x 3/8"
10	62023B	END CAP
11	83007	SCREW, PHIL, #8-32 X 1/4
12	26785	BULLNOSE
13	26783	SUPPORT, F/R, SPILL TRAY
14	83534	SCREW, WAFER HD, #8 X 3/8

**dacor**<sup>®</sup>



The life of the kitchen™

Date: 4-5-02

Re: Grates

---

**Products Covered:**

**ERD30**

**ERD36**

**ERD48**

**ESG**

**EOG**

**Revision Level Change:**

ERD30 – FK2141737

ERD36 FF2141685

ERD48 FG2141665

**Grates were changed – the new grates have a smooth porcelain finish rather than the matted black finish of the previous grate**

<b>Model #</b>	<b>Old Part #</b>	<b>New Part #</b>
<b>ERD30/36/48, ESG366/486</b>	<b>62881BM</b>	<b>72434SB</b>
<b>ERD36, ESG366</b>	<b>62883BM</b>	<b>72433SB</b>
<b>EOG52</b>	<b>82368BM</b>	<b>72436SB</b>