



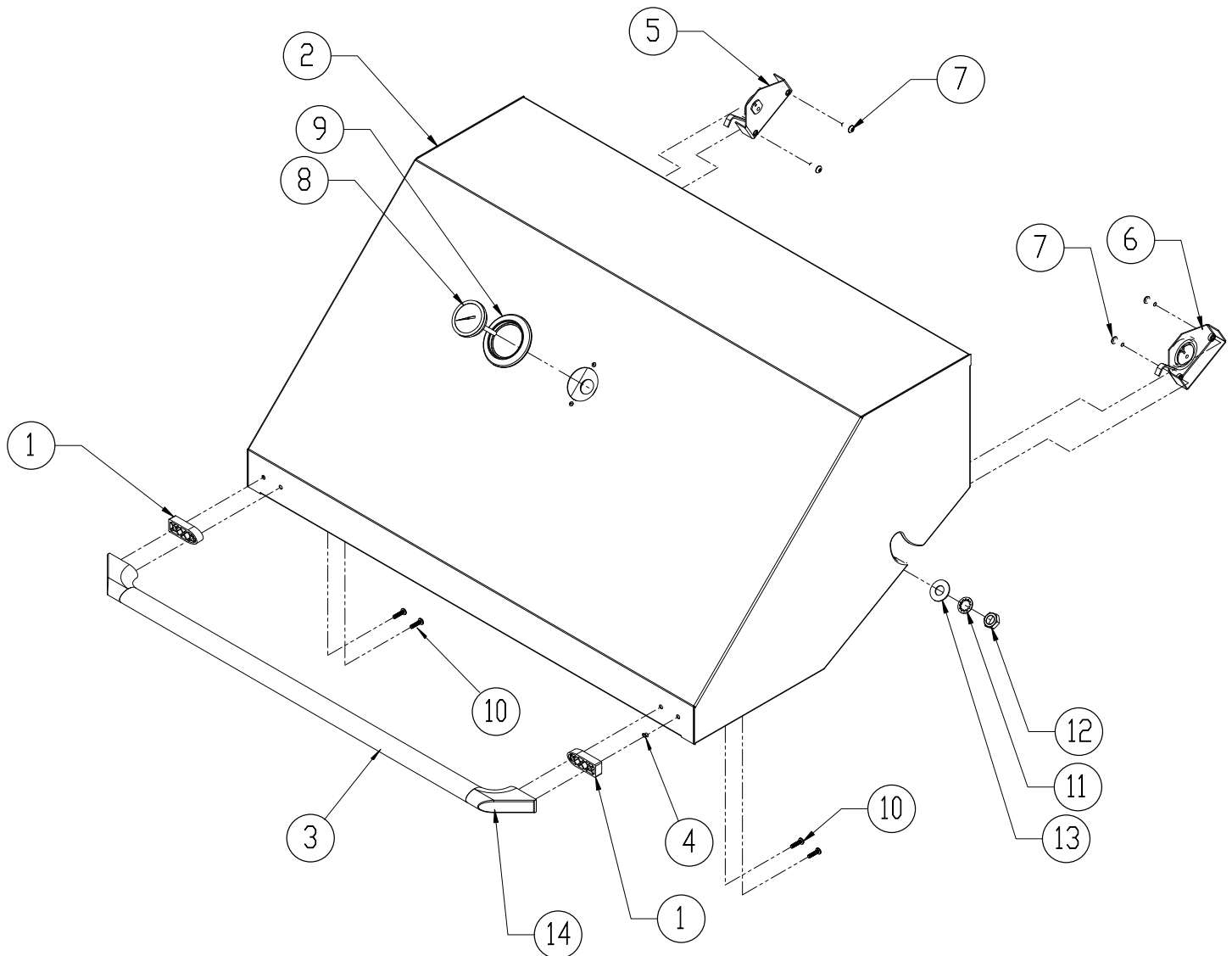
The Life of the Kitchen.®



PARTS CATALOG

OB/OBS36

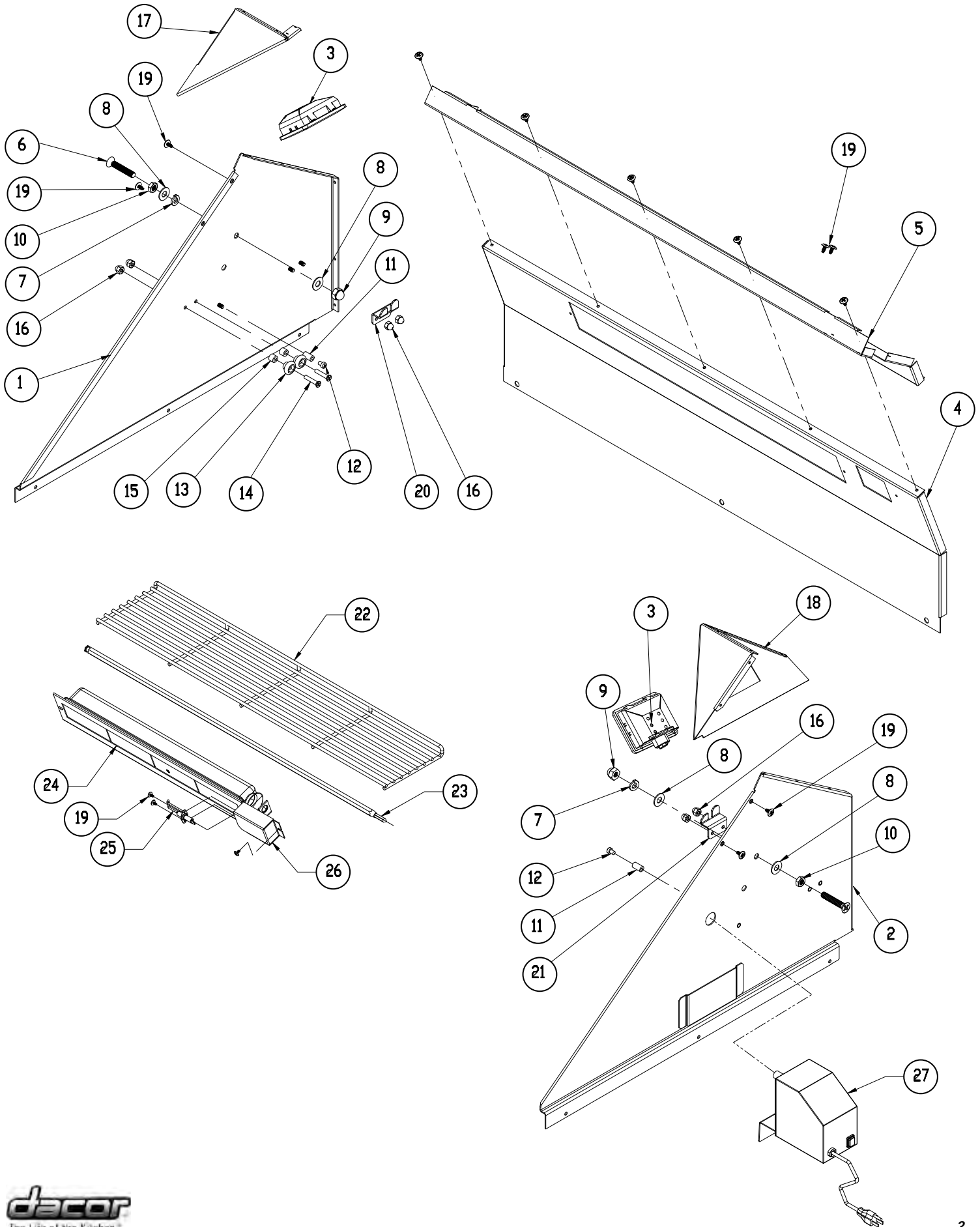
Page #	Sheet Title
2	Canopy Assembly
3	Upper Firebox Assembly
4	Upper Firebox Parts List
5	Control Panel Assembly
6	Chassis Assembly
7	Manifold Assembly
8	Lower U-Burner Firebox Assembly
9	Lower Sear Firebox Assembly
10	Miscellaneous Parts

OB/OBS36 Canopy Assembly



Ref #	Part #	Description
1	101507	Insulator/Spacer, Handle
2	700742*	Canopy*
3	700042**	Handle**
4	72165	Rubber Bumper, Hi Temp
5	700512-01	Asy, Spring Bracket, LH
6	700512-02	Asy, Spring Bracket, RH
7	102011	Screw, Socket HD Cap, 14-20 x 5/8"
8	101972	Temperature Gauge
9	102100	Bezel, Temperature Gauge
10	83696	Screw, Phil Pan, #10-32 x .75"
11	102102	Washer, Lock, Int Tooth
12	83473	Lock Nut, 1/4 NPT, SS
13	83485	Washer
14	100390CH**	End Cap, Handle**
*Order as Kit, 700784 (Click note for Details) 		
**Order as Kit, 700085 (Click note for Details) 		

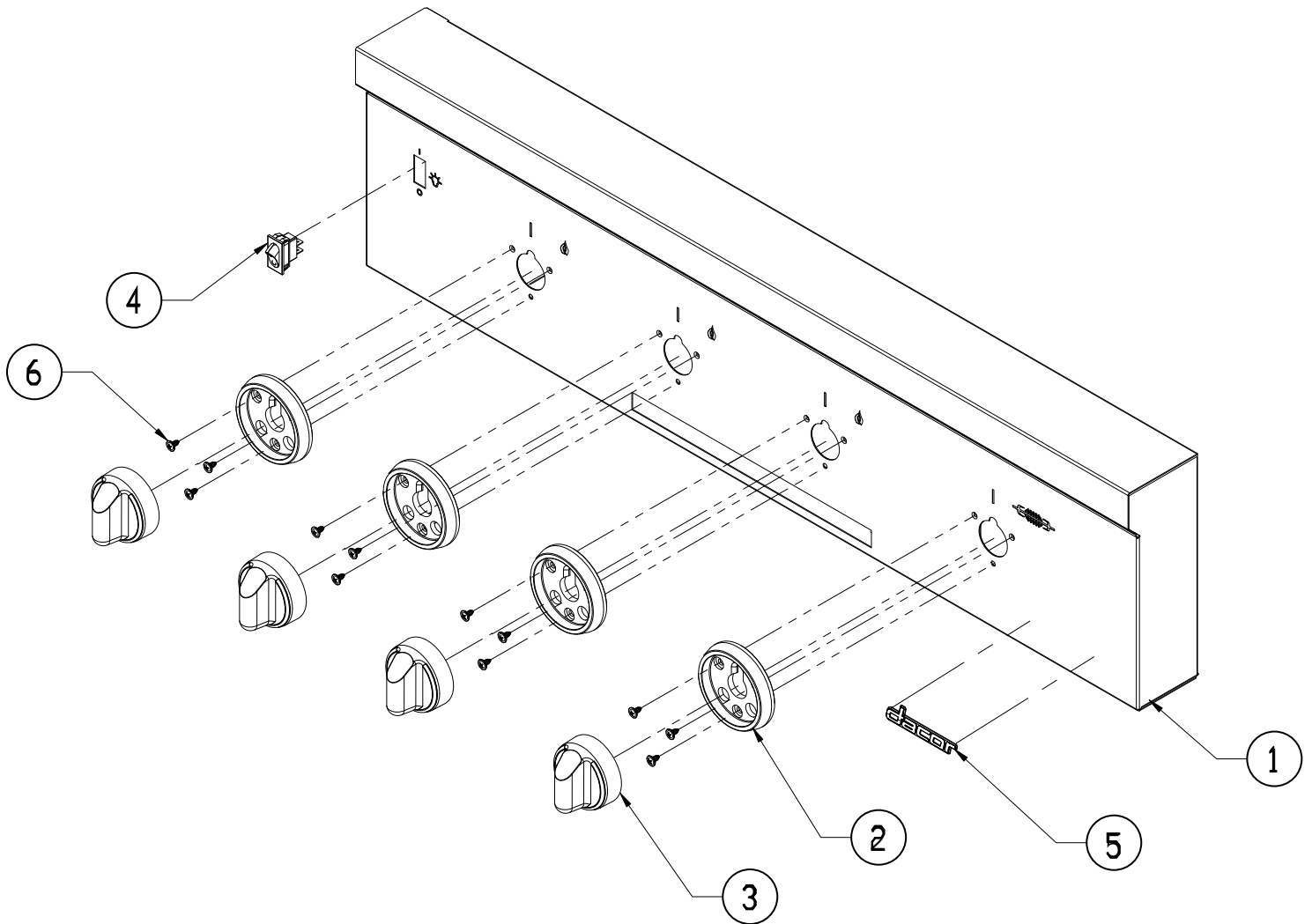
OB/OBS36 Upper Firebox Assembly



OB/OBS36 Upper Firebox Parts List

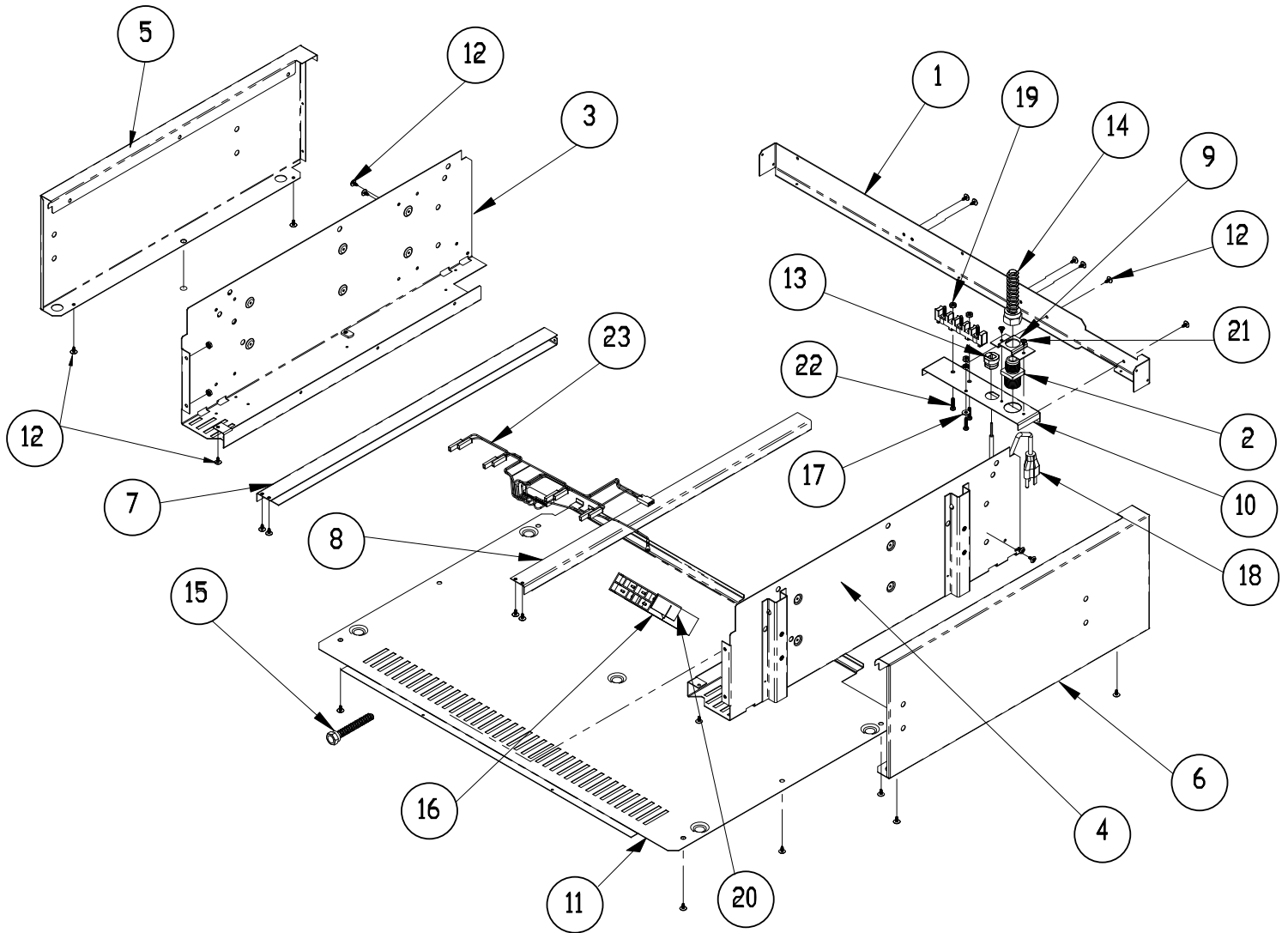
Ref #	Part #	Description
1	N/A	Firebox, Upper, Left
2	N/A	Weld, Firebox, Upper, Right*
3	92398	Asy, Light, Halogen, 20W
4	N/A	Liner, Bottom, Upper Firebox
5	N/A	Liner, Top, Upper Firebox
6	102050	Screw, Flat HD Phil, 5/16-18 x 1 3/4, SS
7	102053	Washer, Split Lock, 5/16, SS
8	102052	Washer, Flat, 5/16, SS
9	102054	Nut, Acorn, 5/16-18, SS
10	83615	Nut, Hex Jam, 5/16-18 x 3/16, SS
11	102056	Standoff, Round Female, 10-24x5/16x9/16, SS
12	102057	Screw, Fillister HD Phil, 10-24 x 1/4 LG, SS
13	101178	Roller, Rotiss Spit Rod
14	102048	Screw, Flat HD Phil, 10-24 x 1 LG, SS
15	102049	Spacer, 10 x 5/16, SS
16	102047	Nut, Acorn, 10-24, SS
17	N/A	Halogen Housing, Left
18	N/A	Halogen Housing, Right
19	83619	Screw, WFR HD, #8 x 3/8, SS
20	102185-01	Bracket, Left, Warming Rack
21	102185-02	Bracket, Right, Warming Rack
22	101154	Warming Rack, Porcelain
23	101179	Spit Rod
24	72172	Infrared Broiler
25	102105	Igniter, U-Burner
26	102060	Igniter, Shield
27	700482	Asy, Rotisserie Motor
*Click Here for OB36/52 Technical Bulletin 01/09/09		

OB/OBS36 Control Panel Assembly



Ref #	Part # OB36	Part # OBS36	Description
1	700743E*	700743E*	Control Panel, Etched
2	100122CH	100122CH	Trim Ring
3	100127-03	100127-03	Knob, Illuminated
4	92407	92407	Switch, Light
5	72510CH	72510CH	Dacor Logo
6	83263	83263	Screw, Phil, #8 x 3/8" Blk
<p>* OB(S)36 uses 700743E on Rev. C & above models. OB(S)36 uses 700469E on Rev. A & B models.</p>			

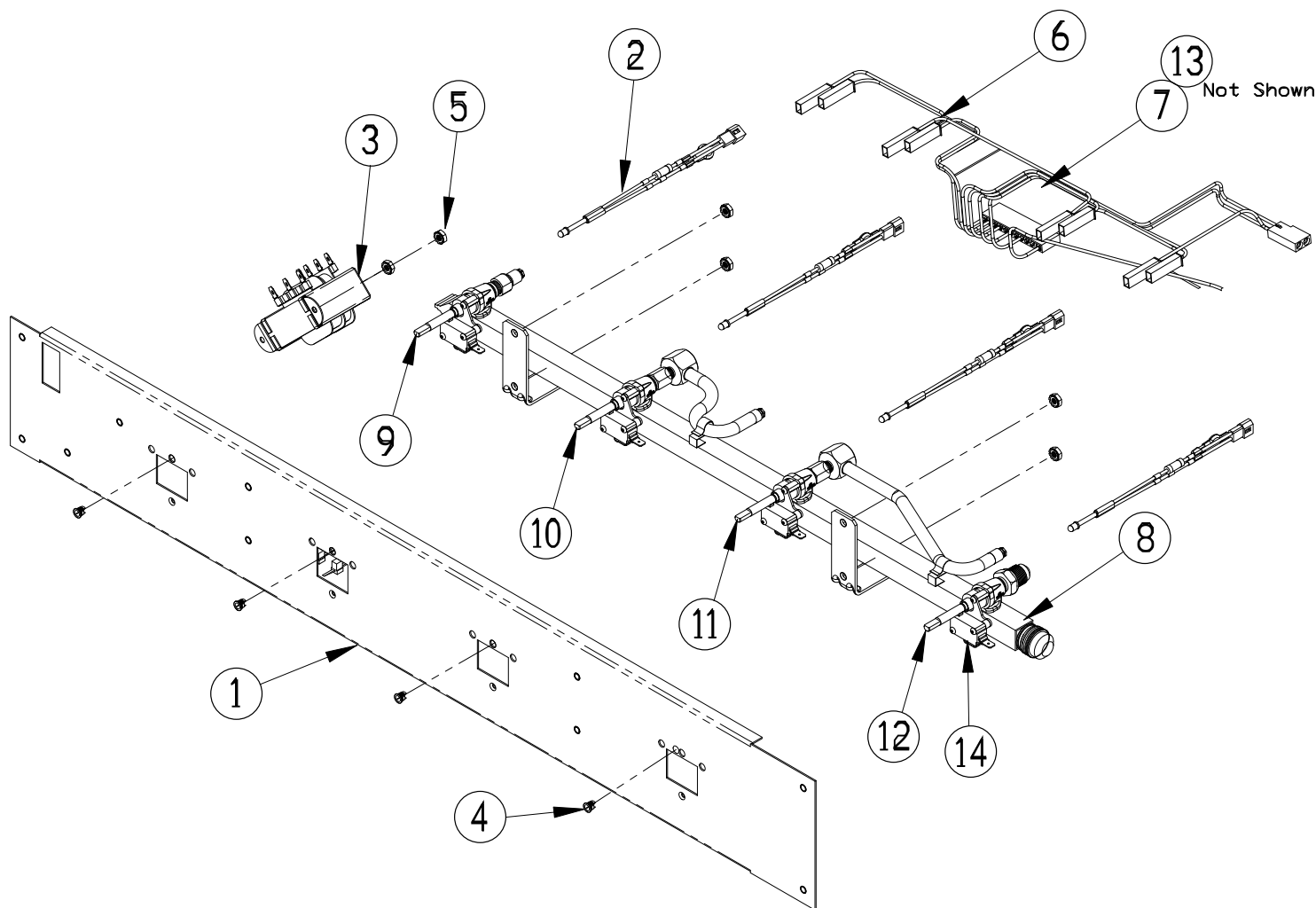
OB/OBS36 Chassis Assembly



Ref #	Part #	Description
1	N/A	Base Support, Rear
2	100760	Connector Flare
3	N/A	Weld, Left Side Frame
4	N/A	Weld, Right Side Frame
5	N/A	Outer Wrap, Left
6	N/A	Outer Wrap, Right
7	101918-01	Track, Grease Tray, Left
8	101918-02	Track, Grease Tray, Right
9	101675	Bracket, Adapter
10	N/A	Bracket, Main Gas Fitting
11	N/A	Cover, Bottom

12	83619	Screw, WFR HD, #8 x 3/8", SS
13	83141	Bushing, Strain Relief
14	102063	Main, Manifold Flex Tubing
15	102064	Rotisserie Flex Tubing
16	82316	Spark Module, 4 Point
17	83194	Washer, Nylon
18	72265	Power Supply Cord, 36"
19	83009	Nut, Keps, #10-24
20	83209	Velcro, Hook & Loop Pair
21	83263	Screw, Phil WFR, #8 x 3/8", Blk
22	83408	Screw, Phil Pan, #8 x 3/4", Zinc
23	101707	Wire Harness
-	106839	Igniter Wire Set (Not Shown)

OB/OBS36 Manifold Assembly

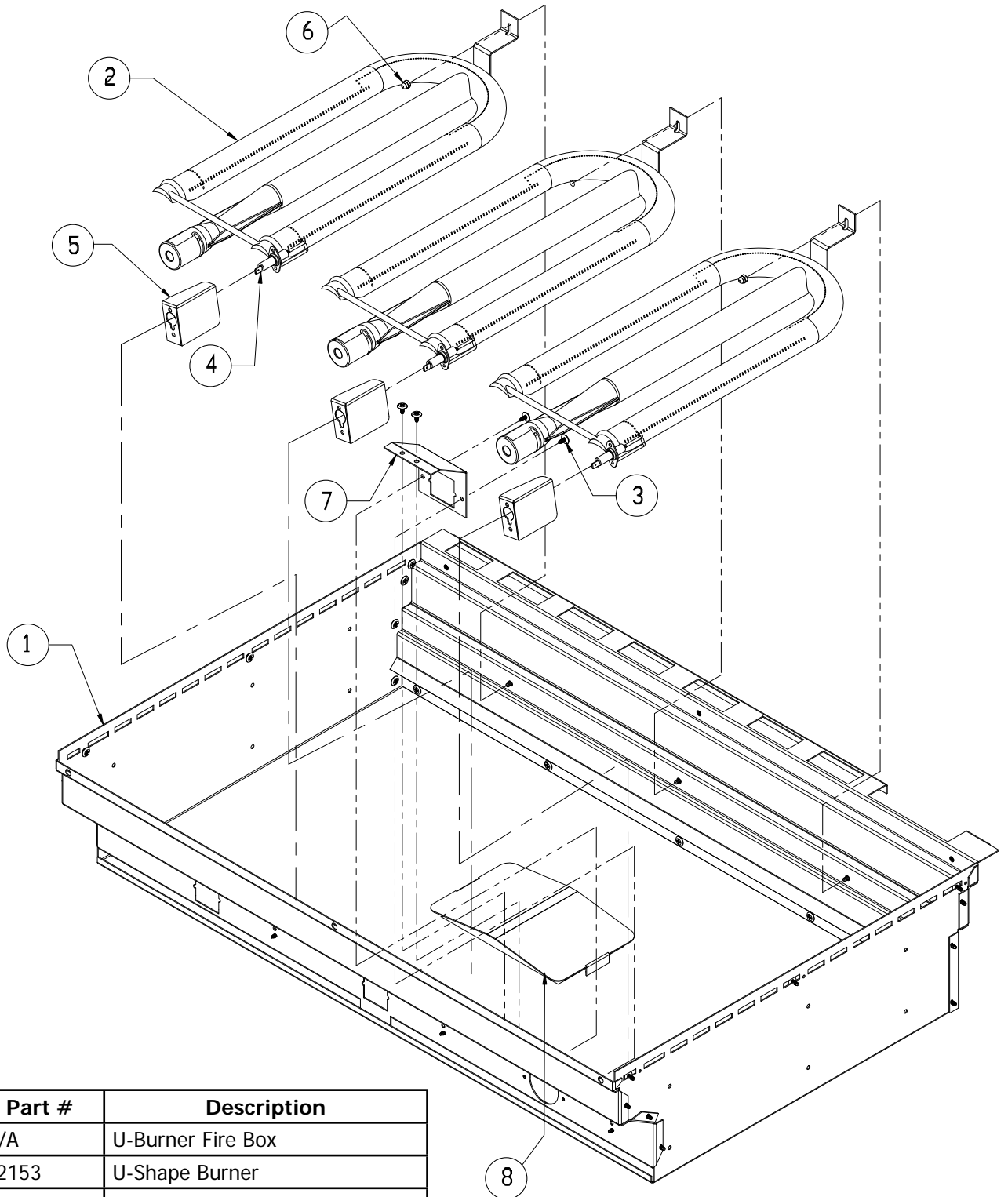


Ref #	Part # OB/NG	Part # OB/LP	Part # OBS/NG	Part # OBS/LP	Description
1	N/A	N/A	N/A	N/A	Control Sub Panel
2	100121	100121	100121	100121	Asy, LED
3	62808	62808	62808	62808	40VA Transformer
4	72920	72920	72920	72920	Holder, LED Light
5	83009	83009	83009	83009	Nut, Keps, #10-24
6	101707	101707	101707	101707	Wiring Harness
7	82316	82316	82316	82316	Spark Module, 4 Point (Not Shown)
8	700745NG*	700745LP*	700745NGS*	700745LPS*	Asy, Manifold w/ Valves*
9	102090NG	102090LP	102090NG	102090LP	Valve, U-Burner, 20k
10	102091NG	102091LP	102091NG	102091LP	Valve, U-Burner, 20k
11	102092NG	102092LP	N/A	N/A	Valve, U-Burner, 20k
11	N/A	N/A	102092NGS	102092LPS	Valve, Sear Burner, 20k
12	102093NG	102093LP	102093NG	102093LP	Valve, Rotisserie Burner, 13k
13	83209	83209	83209	83209	Velcro, Hook & Loop Set (Not Shown)
14	76129	76129	76129	76129	Spark Switch, Valve

*OB(S)36 uses P/N 700745 with Rev. C and above models.

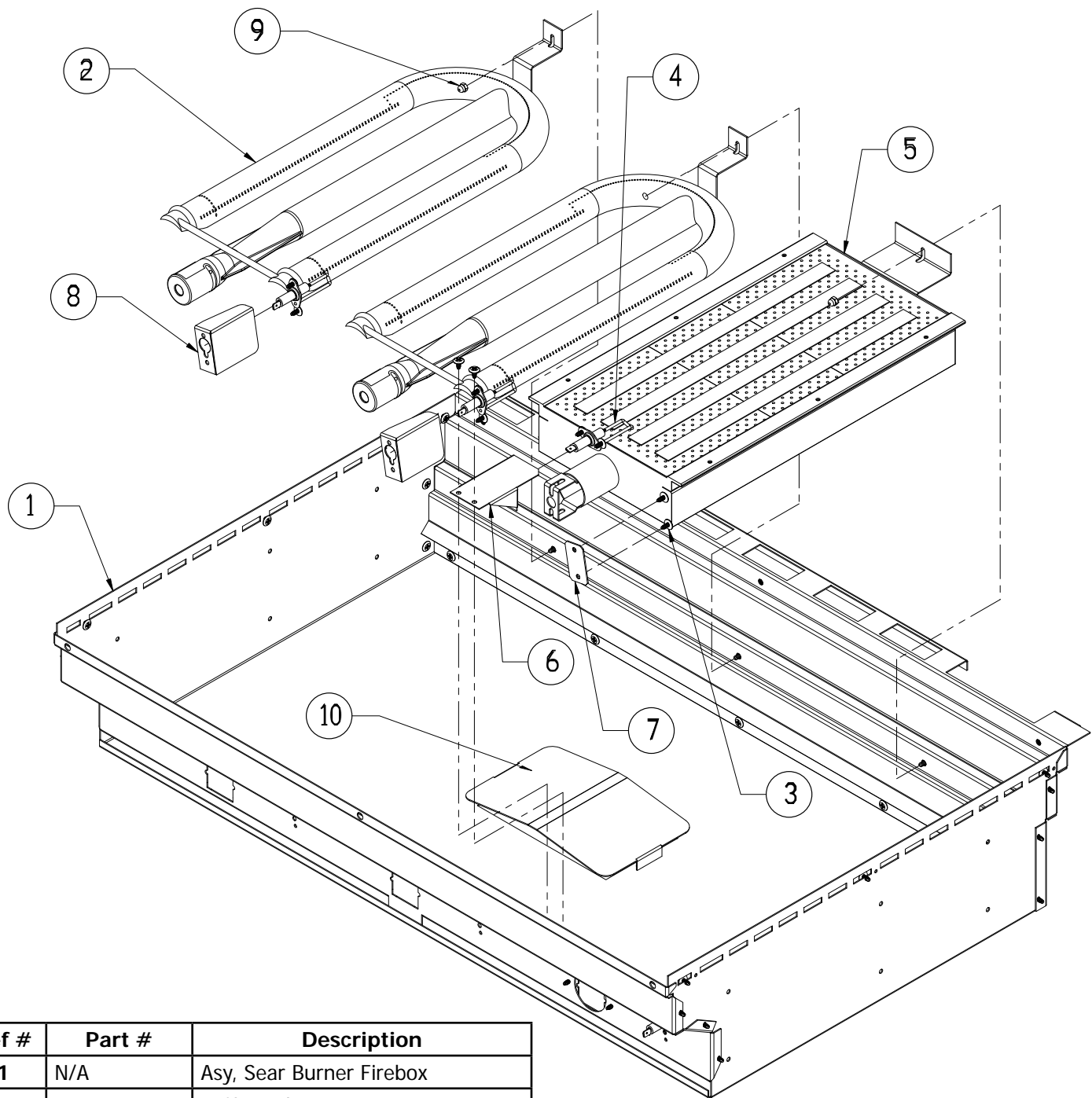
OB(S)36 uses P/N 700472 with Rev. A & B models. Manifold ordered with Approval only.

OB36 Lower U-Burner Firebox Assembly



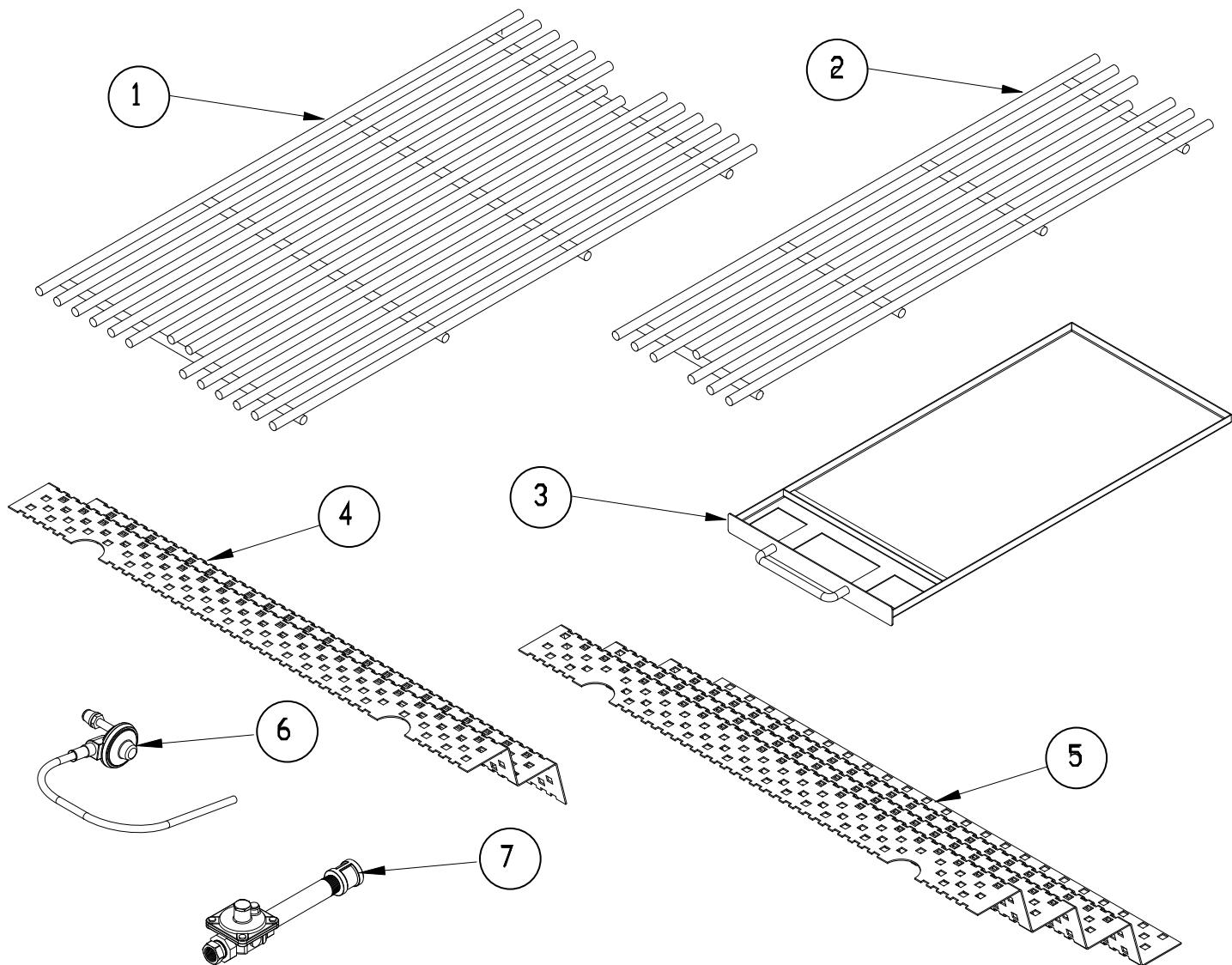
Ref #	Part #	Description
1	N/A	U-Burner Fire Box
2	72153	U-Shape Burner
3	83619	Screw, WFR HD, #8 x 3/8"
4	102105	Igniter
5	102179	Igniter Shield
6	83287	Nut, Acorn
7	102175	Fire Box Plate
8	101171	Grease Cover Plate

OBS36 Lower Sear Firebox Assembly



Ref #	Part #	Description
1	N/A	Asy, Sear Burner Firebox
2	72153	U-Shaped Burner
3	83619	Screw, Wafer Hd, #8 x 3/8"
4	102105	Igniter, U-Burner
5	101180	Burner, Sear
6	102178	Igniter Shield, Sear Burner
7	102177	Igniter Hole Cover
8	102179	Igniter Shield
9	83287	Nut, Acorn, #8-32
10	101171	Grease Cover Plate

OB/OBS36 Miscellaneous Parts



Ref #	Part #	Description
1	101163	Large Grill, Porcelain
2	101164	Small Grill, Porcelain
3	700481	Asy, Grease Tray
4	36661	Flame Spreader, Small
5	36628	Flame Spreader, Large
6	72310	Asy, Regulator, LP (Tank)
7	700597LP	Asy, Regulator, LP (Whole House)
7	700597NG	Asy, Regulator, NG