

A photograph of a stainless steel Dacor BBQ grill in a kitchen setting. The grill is the central focus, with various kitchen items like a bowl, a pot, and a basket of bread on the counter around it. The background is slightly blurred.

dacor[®]

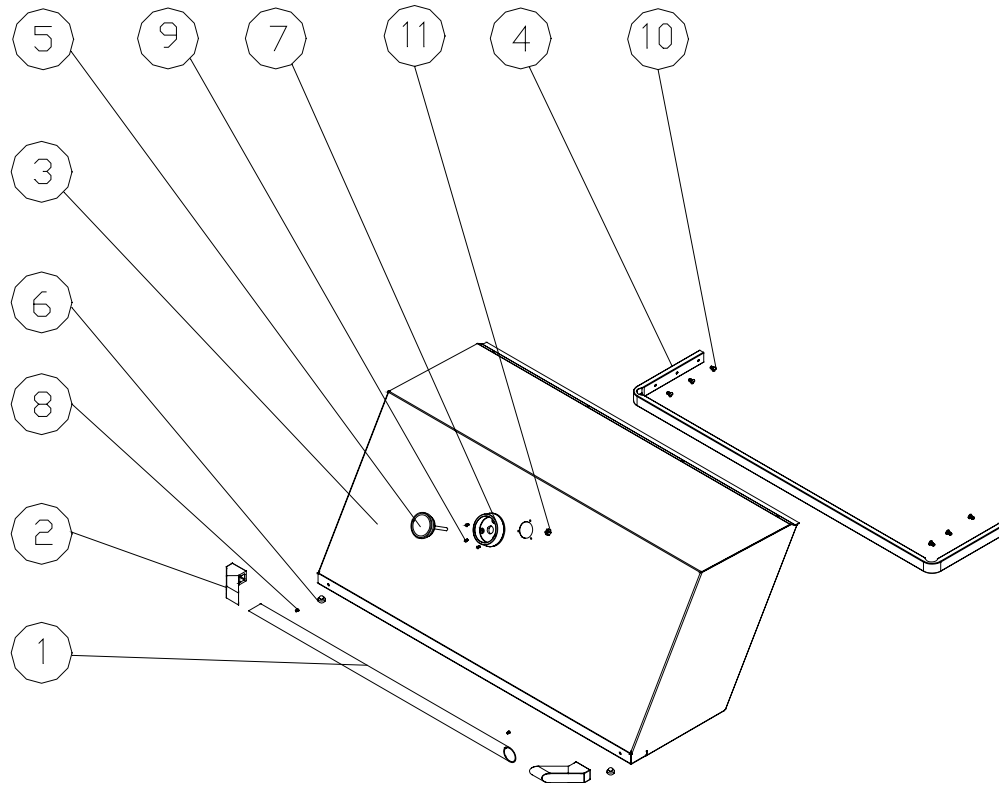
Family-Owned. American-Made.

**PARTS
CATALOG**

EOG52 BBQ

Canopy	Chassis	Firebox
Control Panel	Side Burner	

EOG52 Canopy Assembly

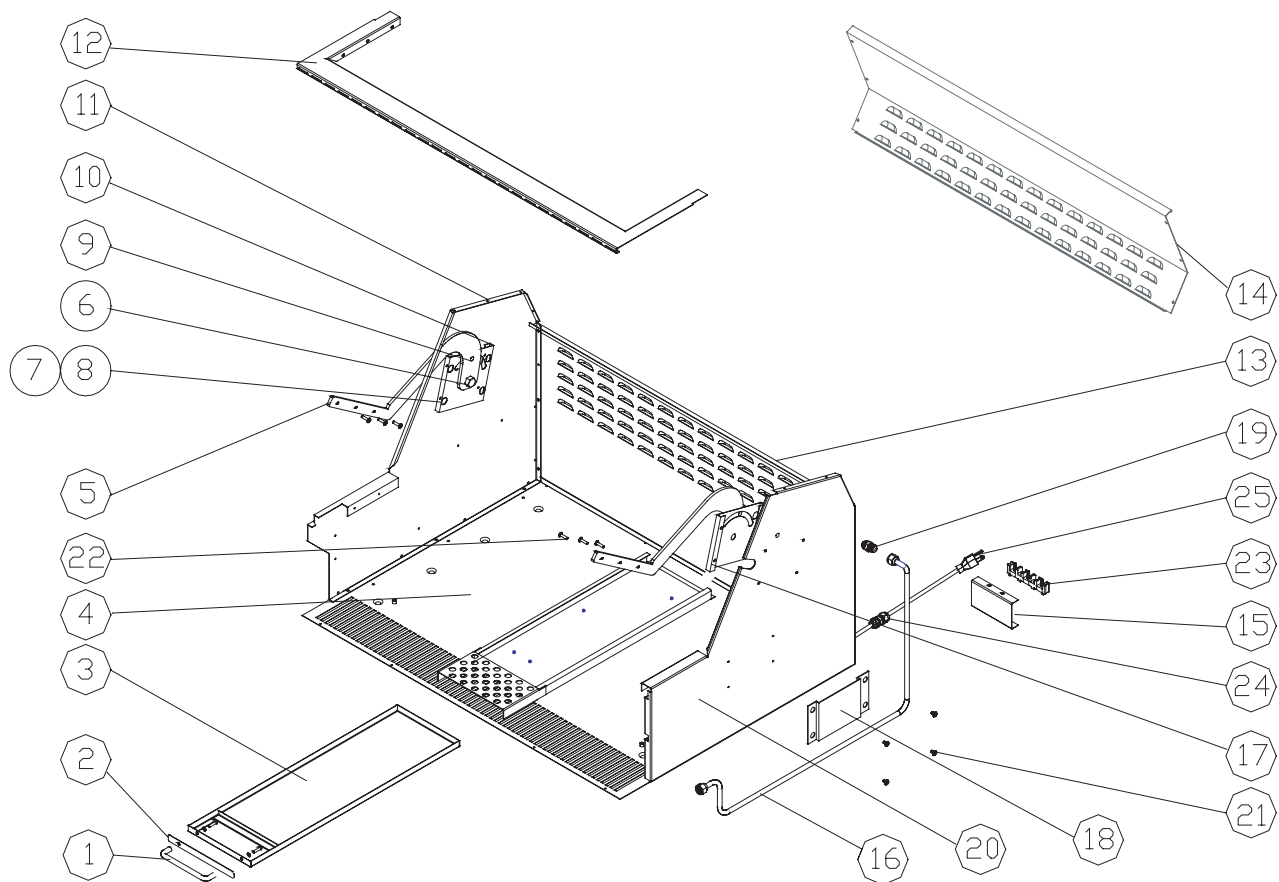


1	72175	HANDLE, CANOPY
2	72178	END-CAP, CANOPY HANDLE
3	27730	WELD, CANOPY
4	36682	CANOPY FRAME
5	72686	TEMPERATURE GAUGE
6	72165	RUBBER BUMPER, HI-TEMP
7	72184	TEMP GAUGE TRIM RING
8	83480	SCREW, FLAT HEAD, SST, #4-40x1/4
9	83571	SCREW, WASHER HEAD, #8 x 3/8
10	83479	SCREW, TRUSS HEAD, #8-32 x 3/8
11	83473	LOCK NUT 1/4 NPT SS

Not Shown: 83663 TEMP GAUGE WASHER



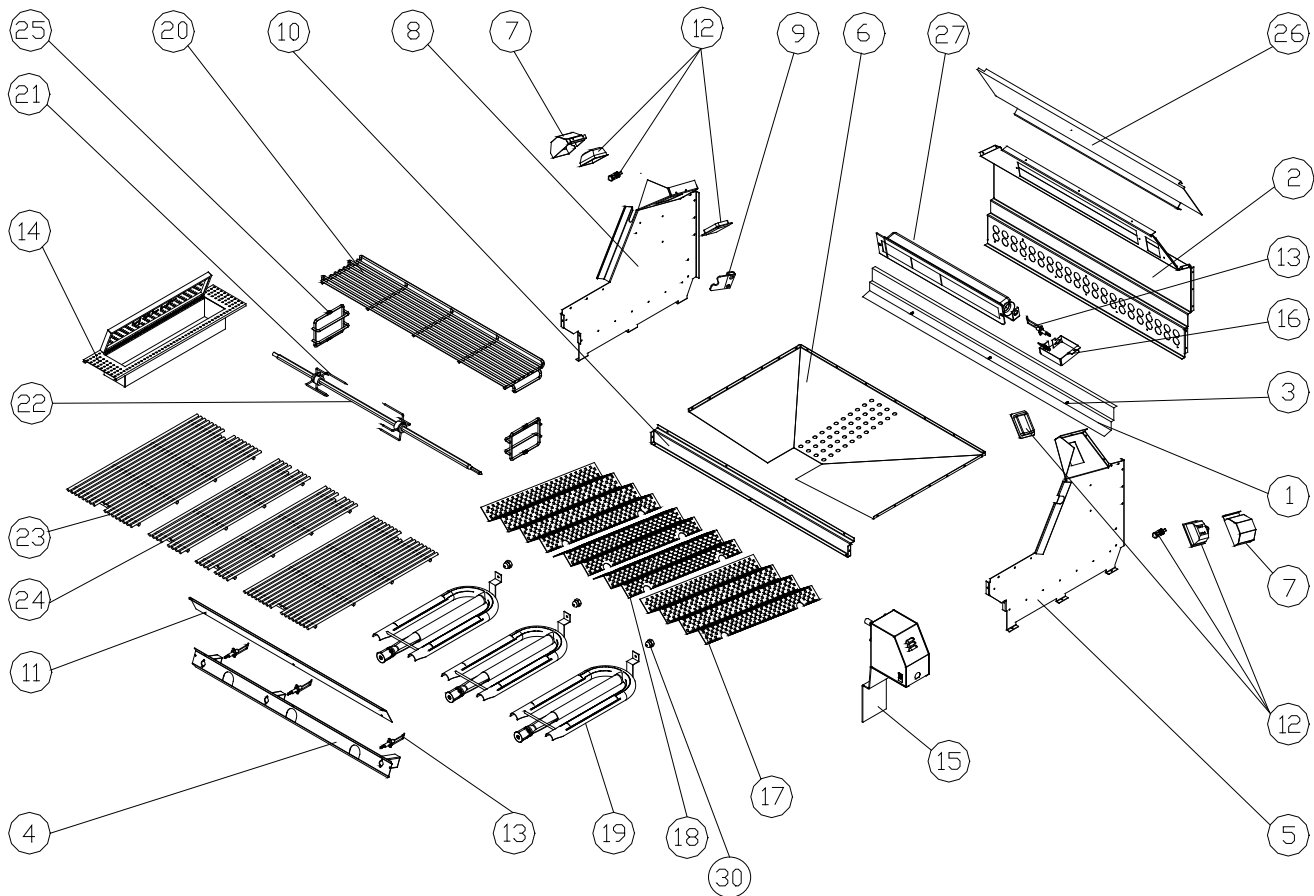
EOG52 Chassis Assembly



ITEM #	PART #	DESCRIPTION	ITEM #	PART #	DESCRIPTION
1	72173	HANDLE, GREASE TRAY	15	36365	BRACKET, TERM BLOCK
2	36626	GREASE TRAY FACIA	16	72179	INFRARED GAS TUBING, 3/8
3	27732	GREASE TRAY EDGE	17	36674	HINGE BRACKET, RH
4	27627	WELD, CHASSIS BOTTOM	18	36675	ROTIS POCKET
5	72158	CANOPY ARM	19	72388NGSL	BROIL JET ASSY. NG SL
6	83459	HINGE PIVOT, 3/8 - 16	-	72388NGHA	BROIL JET ASSY. NG SL
7	83009	NUT, KEPS, #10 - 24	-	72388LPSL	BROIL JET ASSY. NG SL
8	83465	SELF-CLINCH #10-24x3/8	-	72388LPHA	BROIL JET ASSY. NG SL
9	83462	SHOULDER BOLT, HINGE GUIDE	20	36639	CHASSIS SIDE, RH
10	36653	HINGE BRACKET, LH	21	83619	SCREW TRUSS SS
11	36549	CHASSIS SIDE, LH	22	83479	SCREW PHIL. TRUSS, #8-32
12	36627	FRONT TRIM, 36"	23	82151	TERMINAL BLOCK
13	36637	CHASSIS REAR, 36"	24	83472	STRAIN RELIEF
14	36640	SERVICE PANEL, CHASSIS RR	25	72265	POWER CORD



EOG Firebox Assembly



1	38256	FIREBOX RR DEFLECTOR	16	38244	IR BROILER IGNITER BOX
2	38257	FIREBOX BACK, 36"	17	36628	FLAME SPREADER, LARGE
3	83204	SCREW, WELD, 8-32 x 3/8	18	36661	FLAME SPREADER, SMALL
4	27744	HEAT SHIELD	19	72153	U-BURNER, BBQ GRILL
5	36630	FIREBOX SIDE RIGHT	20	72159	WARMING RACK
6	36645	FIREBOX BOTTOM	21	72162	SPIT ROD FORK, 36"
7	36676	FIREBOX LAMP HOUSING	22	72163	SPIT ROD, 36"
8	36650	FIREBOX SIDE, LEFT	23	72157	GRILL, SS
9	36663*	ROTIS SPIT BRACKET	24	72177	GRILL, 4", SS
10	36650	FRONT FRAME FIREBOX	25	72185	WARMING RACK SUPPORT
11	36681	FIRE BOX ACCESS PANEL	26	36629BP	FIREBOX TOP, PORCELAIN, 36"
12	62175**	LIGHT ASSEMBLY	27	72172	IR BROILER, S16-31
13	72164	SPARK ELECTRODE	28	83534	WAFFERHEAD SCREW (not shown)
14	27738	SMOKER TRAY	29	72265	POWER CORD (not shown)
15	13532***	ROTIS MOTOR ASSEMBLY	30	83287	ACORN NUT 8-32

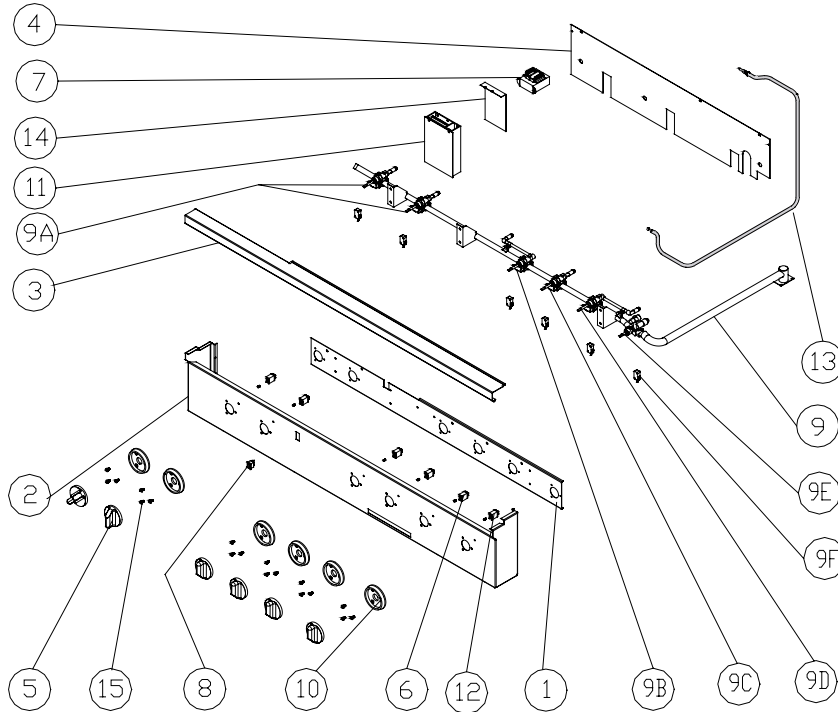
* Use PN 36767 for natural gas units Rev E and higher, and for LP gas units Rev D and higher.

** PN 62175 includes the lens and light bulb. To order lens separately, order PN 92376. To order light bulb separately, order PN 86573.

*** Use PN 13652 for natural gas units Rev E and higher, and for LP gas units Rev D and higher.

dacor

EOG52 Control Panel Assembly



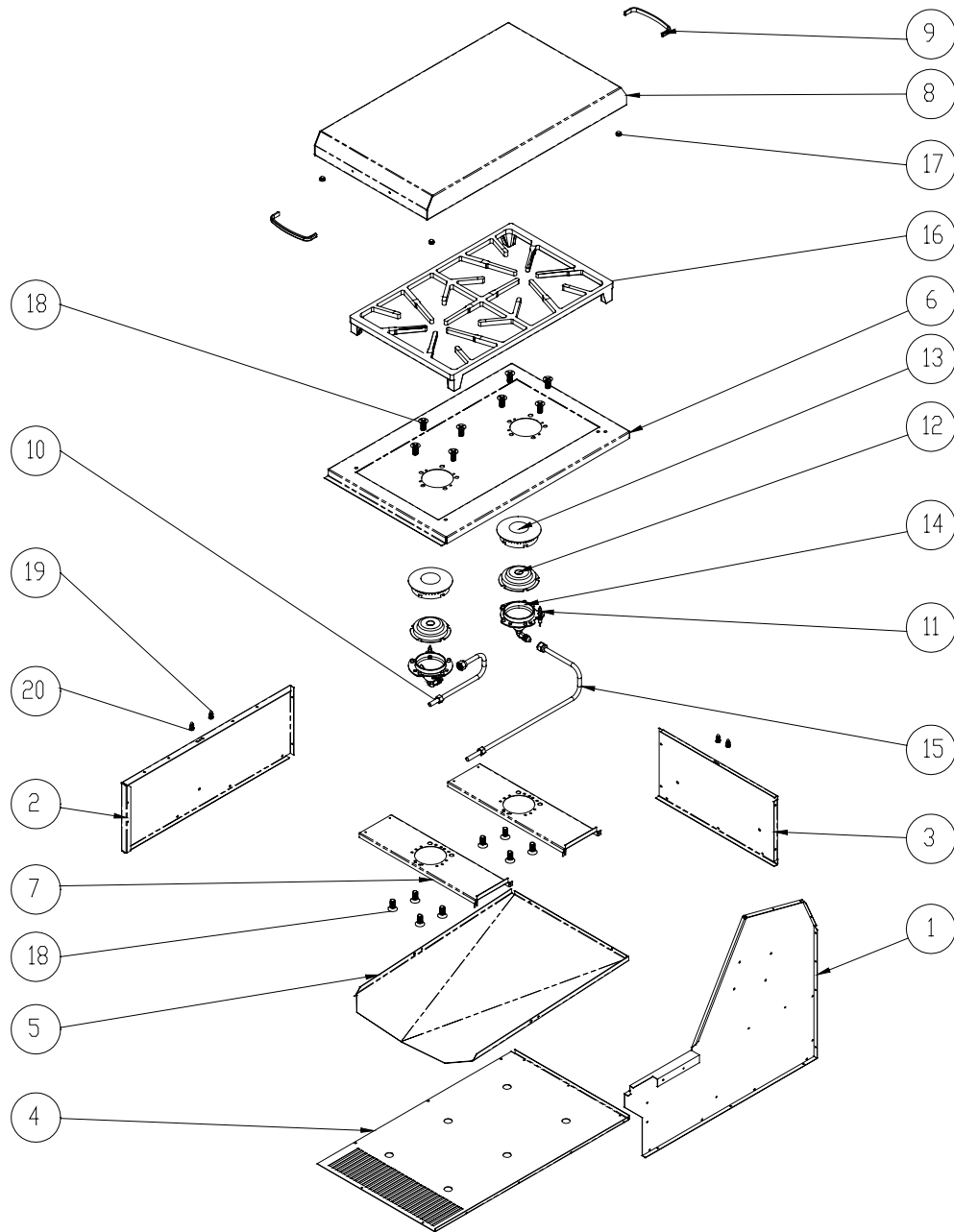
ITEM #	PART #	DESCRIPTION	ITEM #	PART #	DESCRIPTION
1	36641	CONTROL SUB-PANEL	9D	66569NGSL	RIGHT GRILL BURNER VALVE
2	27746E	CONTROL PANEL		66569NGHA	RIGHT GRILL BURNER VALVE
3	38211	LANDING LEDGE		66569LPSL	RIGHT GRILL BURNER VALVE
4	36625	CONTROL PLENUM		66569LPHA	RIGHT GRILL BURNER VALVE
5	62021B	KNOB, EPICURE	9E	66557NGSL	SAFETY VALVE
6	82086	INDICATOR LIGHT, WITH LENS		66557NGHA	SAFETY VALVE
7	62057*	TRANSFORMER, CLASS 2		66557LPSL	SAFETY VALVE
8	72169	LIGHT SWITCH		66557LPHA	SAFETY VALVE
9	72174NG SL	MANIFOLD, NAT GAS	9F	86425	SPACER MICROSWITCH
	72174LPSL	MANIFOLD, LP GAS	10	62020C	TRIM RING, EPICURE
	72174NGHA	MANIFOLD, NAT GAS, HIGH ALT.	11	86528	SPARK MODULE, 6 POINT IRL
	72174LPHA	MANIFOLD, LP GAS, HIGH ALT.	12	82343	IND. LITE, RED, WITH LENS
9A	66573NGSL	SIDE BURNER VALVE	13	72176	THERMOCOUPLE
	66573NGHA	SIDE BURNER VALVE	14	36693	SPARK MODULE BRACKET
	66573LPSL	SIDE BURNER VALVE	15	83571	SCREW, WAFER HEAD, SST
	66573LPHA	SIDE BURNER VALVE			
9B	66565NGSL	LEFT GRILL BURNER VALVE	NOT SHOWN:		
	66565NGHA	LEFT GRILL BURNER VALVE		72382**	WIRE HARNESS ASSEMBLY (complete)
	66565LPSL	LEFT GRILL BURNER VALVE		66323	4 AMP FUSE (IN HARNESS)
	66565LPHA	LEFT GRILL BURNER VALVE		66324	FUSE HOLDER (IN HARNESS)
9C	66561NGSL	CENTER GRILL BURNER VALVE		83313	PANHEAD SCREW #8 x 3/8
	66561NGHA	CENTER GRILL BURNER VALVE		72596	REGULATOR NG/SL 4" WC
	66561LPSL	CENTER GRILL BURNER VALVE		72310	REGULATOR LP/SL 11"WC
	66561LPHA	CENTER GRILL BURNER VALVE		72511CH	4 1/2" DACOR LOGO
				106832	IGNITER WIRE SET

* Use PN 62808 for natural gas units Rev G and higher, and for LP gas units Rev F and higher.

** Use PN 92109 for natural gas units Rev G and higher, and for LP gas units Rev F and higher.



EOG52 Side Burner Assembly



1	36549	CHASSIS SIDE, LEFT	12	72232	BURNER HEAD
2	36696	CASE SIDE, LEFT	13	72231	BURNER CAP
3	36695	CASE SIDE, RIGHT	14	72387NGSL	BURNER BASE, NAT GAS
4	38276	CHASSIS BOTTOM, 52"		72387NGHA	BURNER BASE, NAT GAS. HIGH ALT
5	36698	WATER DEFLECTOR		72387LPSL	BURNER BASE, LP GAS.
6	36697	SPILL TRAY		72387LPHA	BURNER BASE, LP GAS. HIGH ALT
7	36699	SIDE BURNER SUPPORT	15	72383	3/8" TUBE, VALVE REAR
8	27637	COVER, SIDE BURNER	16	72436SB	14" SIDE BURNER GRATE
9	72360	HANDLE	17	72165	RUBBER BUMPER, HI-TEMP
10	72384	3/8 TUBE, FRONT	18	83483	SCREW 6-32 x 5/8 COUNTERSINK
11	72386	SIDE BURNER IGNITER	19	83539	BALL STUD, TRIM PANEL
			20	83308	6-32 KEPS NUT

dacor