



The Life of the Kitchen.®

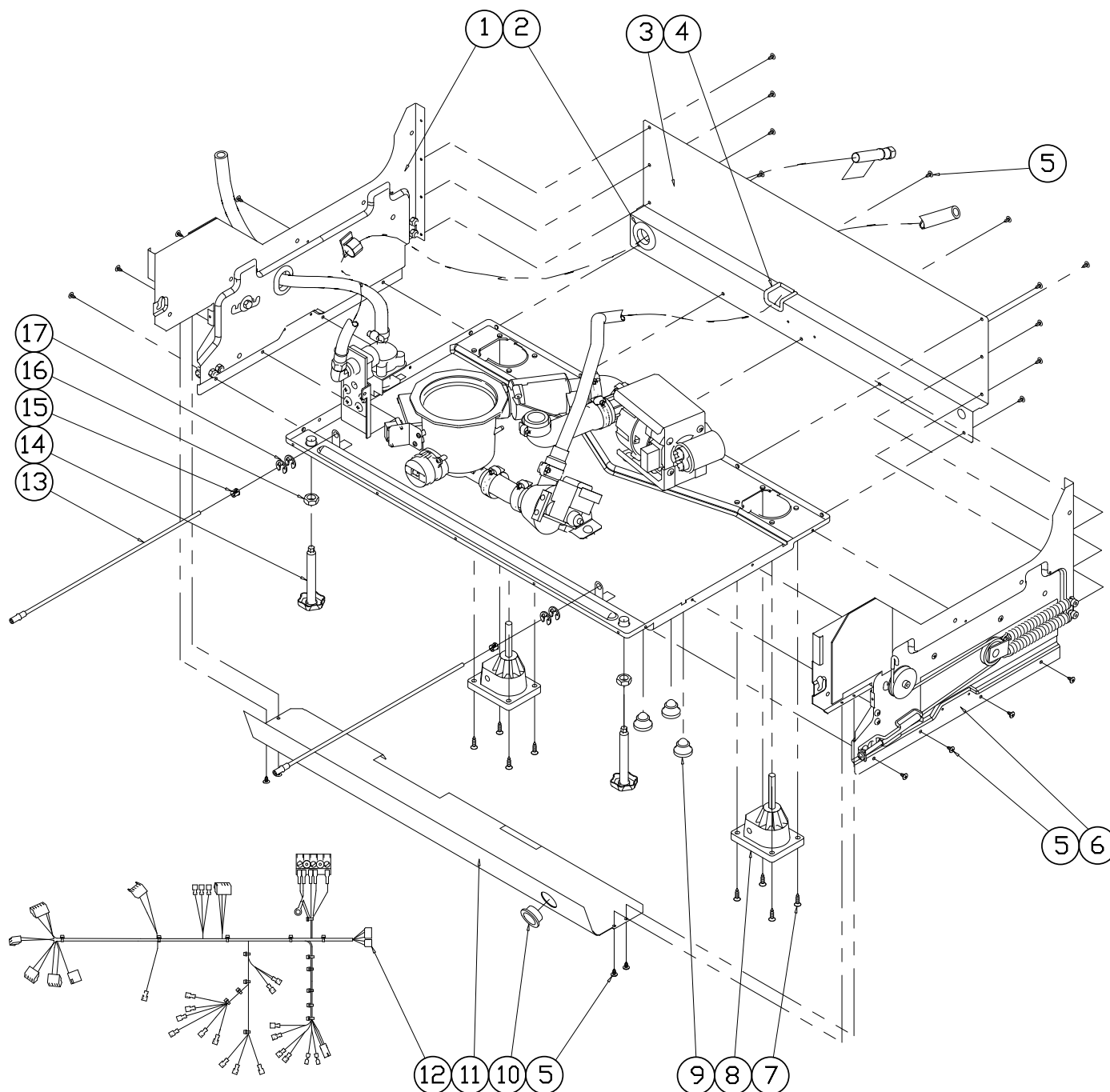
PARTS CATALOG

ED/ID30

Page #	Sheet Title
1	Overall Base Assembly
2	Base Left Assembly
3	Base Right Assembly
4	Tank Assembly
5	Tank Parts
6	Outer Case Assembly
7	Circulation Pump/Sump Asy.
8	Upper Rack Assembly
9	Lower Rack Assembly
10	Bezel/Control Board Assembly
11	Door Liner Assembly
12	Outer Door Assembly
13	Outer Door Parts

Revised 06-11-2009

ED/ID30 Overall Base Assembly



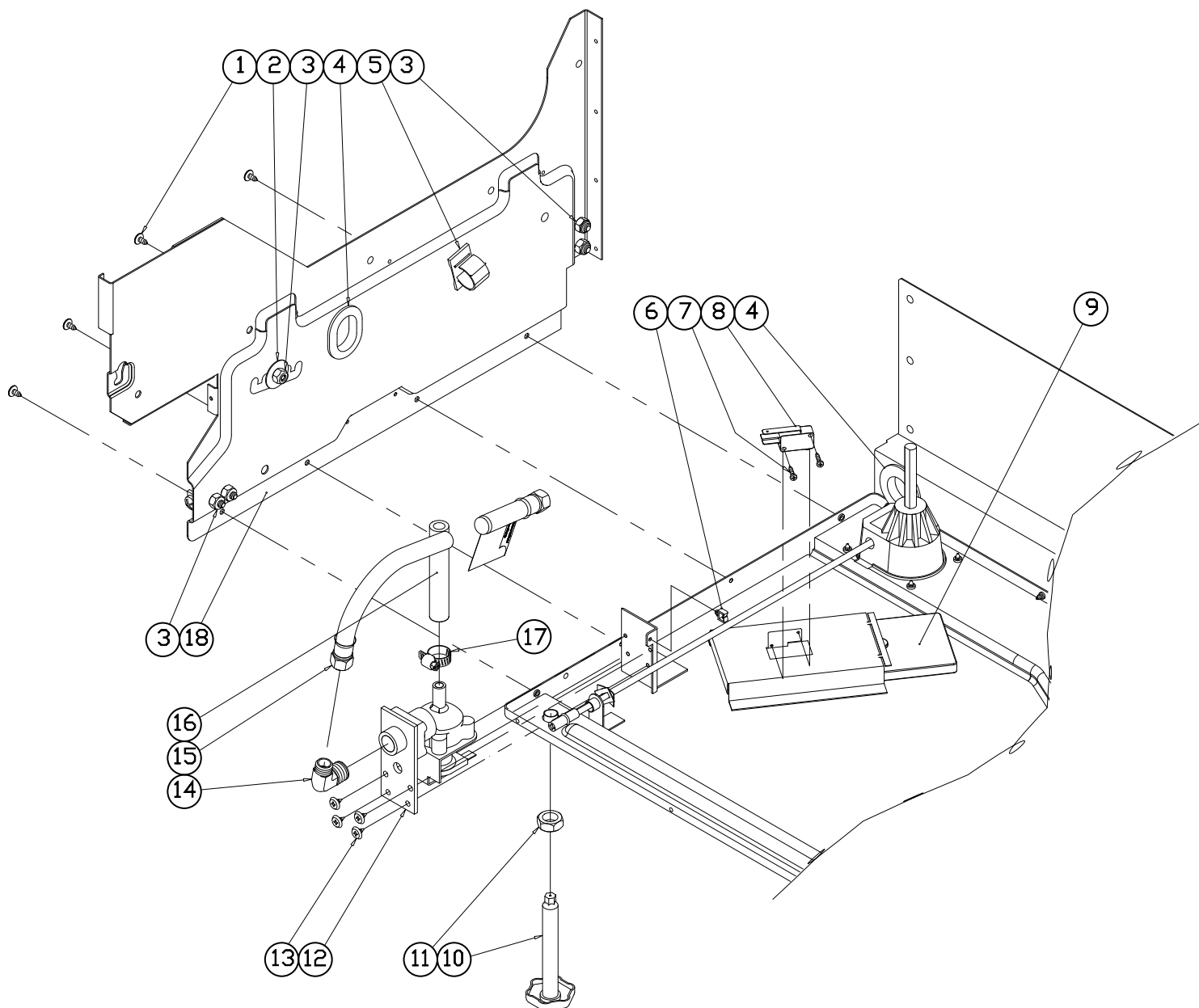
Ref. #	Part #	Description
1	12719	Asy, Base Side, Left
2	83717	Grommet, EDPM 1"
3	46154	Back Cover
4	13689	Trim Lock Drain
5	83263	Screw, Phil wfr, #8 x 3/8"
6	12718	Asy, Base Side, Right
7	83520	Screw, #10 x 3/4"
8	72110	Rear Leveller

9	72096	Support Pump
10	83055	Bushing, Snap
11	36953	Brace
12	92270	Wire Harness Base
13	92268*	Adjustment Rod*
14	72109	Front Leveler
15	83523	Bushing, Snap 3/8
16	83456	Locknut, Front
17	100652*	E-Ring*

***Order as Kit, 701107 (Click note for Details)**



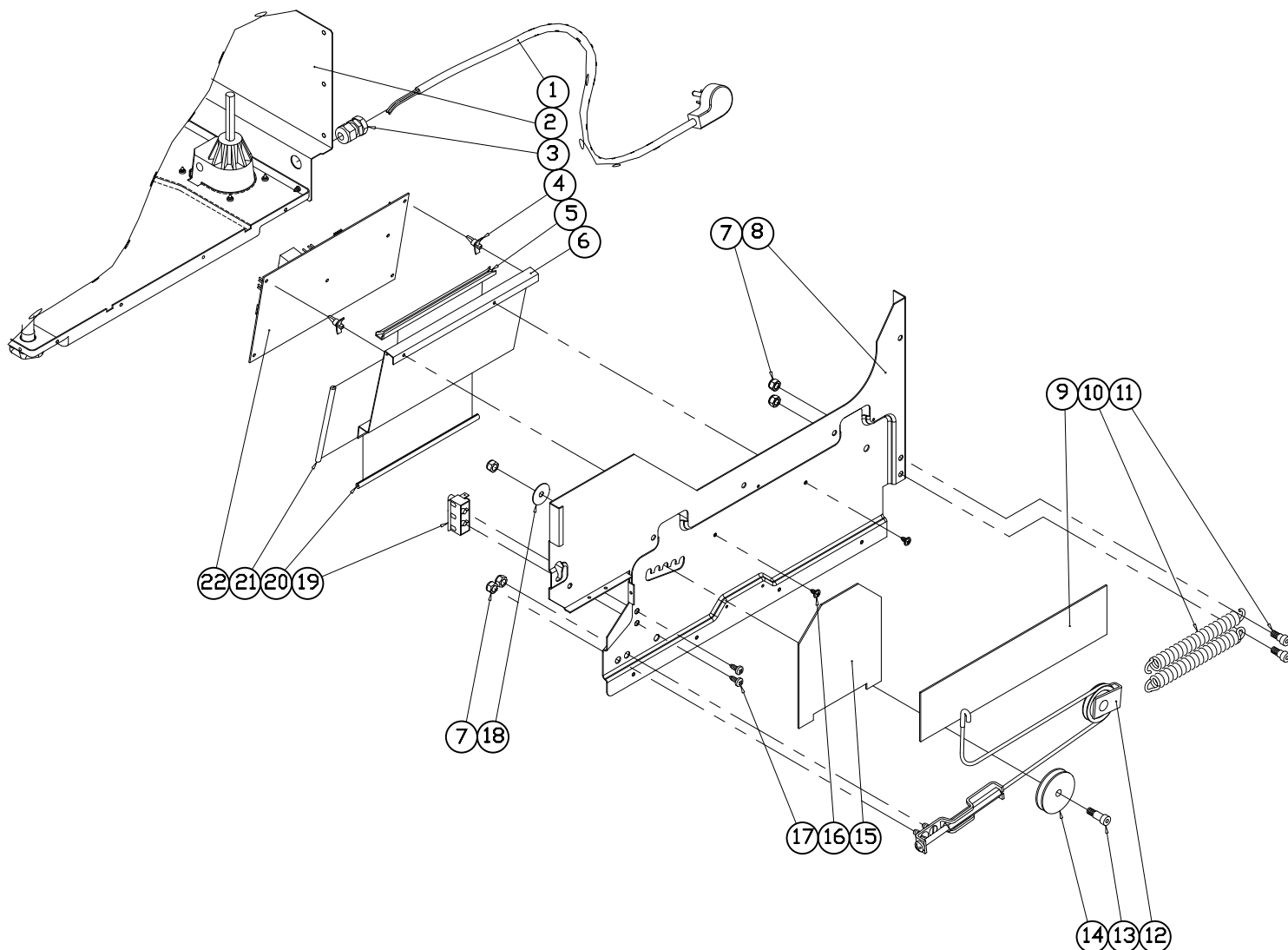
ED/ID30 Base Left Assembly



Ref. #	Part #	Description
1	83263	Screw, Phil HD,
2	83647	Washer, 1.0 x .25
3	83582	Nut, Nylon, 1/4-2
4	83717	Grommet, EPDM 1" ID
5	83712	Clip, Heyco, 3849
6	83722	Push In Wire Holder
7	83706	Screw, SM, #4 x .63L
8	92122	Microswitch
9	92121	Float

10	72109	Front Leveler
11	83456	Front Lock nut
12	701033*	Asy, Bitron Valve Retrofit Kit
13	83534	Screw, Wafer Head, #8 x 3/8
14	83714	Elbow, 3/8" x 3/8"
15	100492	Hose, Inlet Braised
16	72106	Hose, Inlet Valve to Air Break
17	83639	Clamp - .375 - .50
18	46145	Base Side, Left
*Order As Kit, 701033 (Click Note for Details)		

ED/ID30 Base Right Assembly

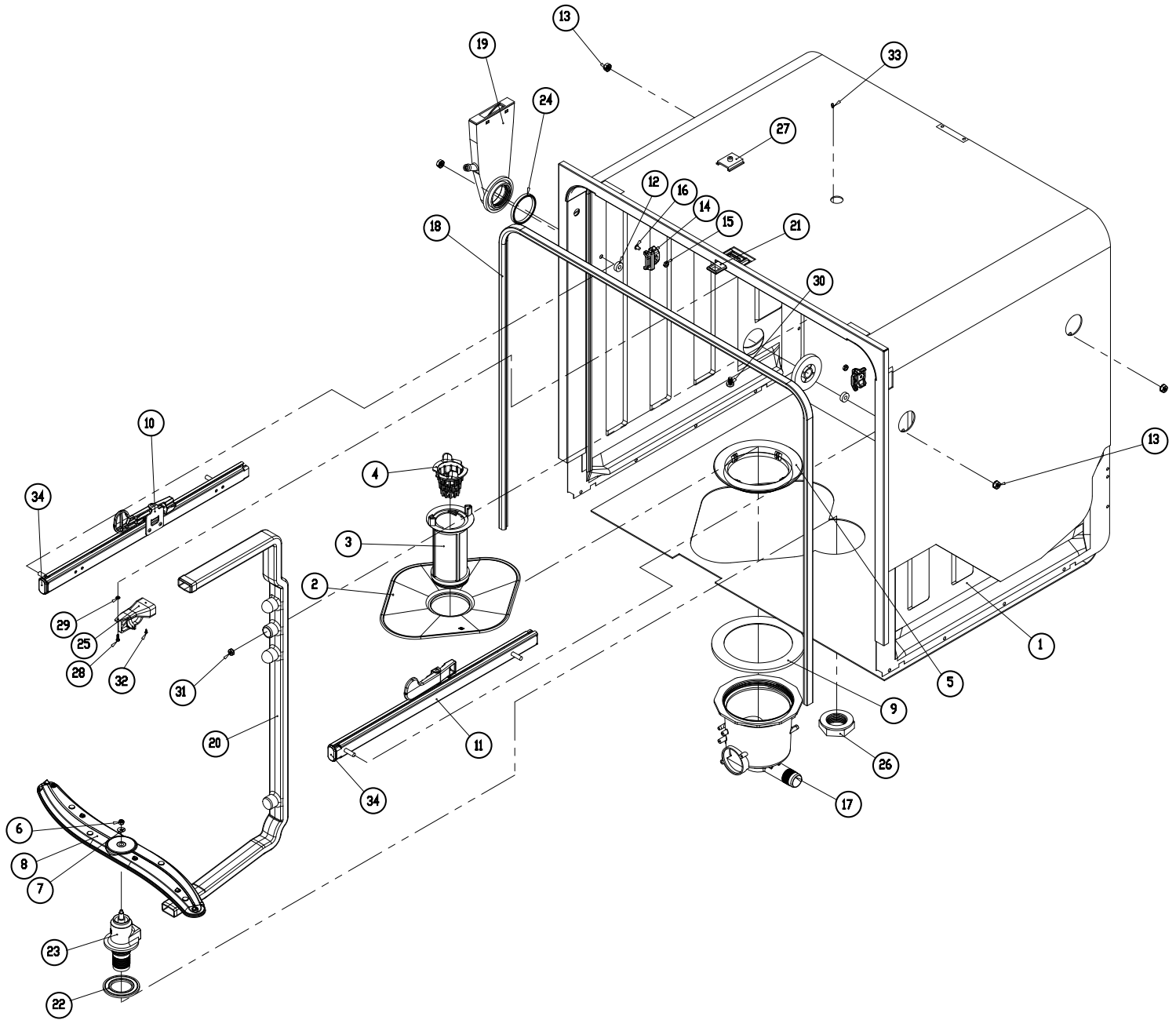


Ref. #	Part #	Description
1	72129	Power Supply Cord
2	46154	Back Cover
3	83472	Strain Relief, Power Cord
4	83624	Quick Release Board Mount
5	83623	Card Guide
6	46182	Mounting Plate, Power Board
7	83582	Nylon Nut, 1/4-2
8	46144	Base Side, Right
9	100281	Insulation Spring
10	72497	Hinge Spring
11	83585	Shoulder Bolt, 5/16 x 1/4

12	13606	Pulley Cable Asy.
13	83581	Shoulder Bolt, 5/16 x 1/2
14	72359	Spring Door Pully
15	100282	Hinge Insulation
16	83263	Screw, Phil wfr, #8 x 3/8"
17	83433	Screw, 10-32 x 1/2"
18	83647	Washer 1.00 x .25
19	92270	Wire Harness Base
20	13690	Trim Edge, Power Board Btm
21	13691	Trim Edge, Power Board Side
22	700458*	Power/Control Board Kit*
*Order as Kit, 700458 (Click note for Details)		



ED/ID30 Tank Assembly

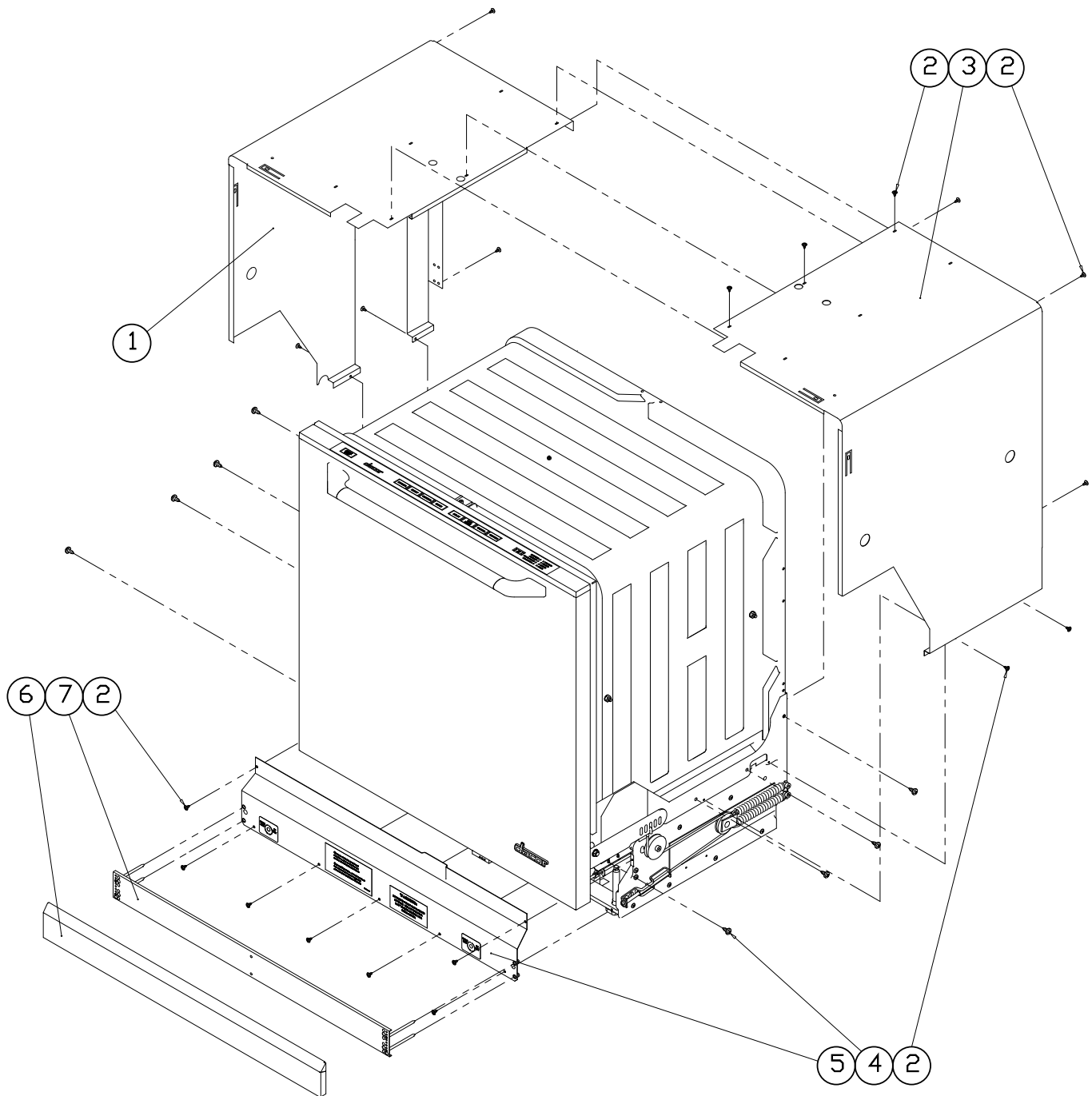


ED/ID30 Tank Parts

Ref. #	Part #	Description
1	27701	Asy, Tub, 30"
2	13763	Asy, Filter
3	92104	Filter Inner Asy.
4	72072	Strainer
5	72066*	Sump Locking Nut*
6	83687**	Nut, #8-32, SS**
7	83704**	Washer, Flat**
8	92054	Washarm, Lower
9	72464*	Gasket, Sump*
10	102343-01	Slide, Left
11	102343-02	Slide, Right
12	102495	Gasket, Spacer, Slide
13	83583	Nut, Keps, 1/4-20
14	103224	Guide
15	103225	Nut, Hex, #8-32
16	103226	Buttom Head CS
17	13847	Sump, Check Valve Asy.
18	72050	Seal, Door, 30"
19	12580***	Asy, Air Break***
20	72367	Water Feed Tube
21	72048	Striker Door Latch
22	72064**	Seal, Lower Wash Arm Fitting**
23	92106**	Asy, Lower Wash Arm Fitting**
24	72326***	Air Break Seal***
25	72555	Asy, Top Sprayer
26	72076**	Nut, Lower Wash Arm Fitting**
27	72490	Keeper, Door Latch
28	83522	Screw, #4-40 x 3/8"
29	83595	O-Ring, .125 x .070
30	83598	Screw, M6, Shakeproof
31	83612	Nut, Keps, #10-32, SST
32	83627	Screw, Pan HD Phil
33	83521	Nut, Hex, #4-40
34	106896	Bumper
*Order as Kit, 700993 (Click note for Details) 		
**Order as Kit, 700996 (Click note for Details) 		
***Order as Kit, 700997 (Click note for Details) 		

Required for ED30 Rev. A & B	
Part #	Description
106543-01	Asy, Rack, Upper, 30"
106544	Asy, Rack, Retrof Kit
Note: Kit 106544 is required on models in order to fit 106543-01. Requires tank modification.	

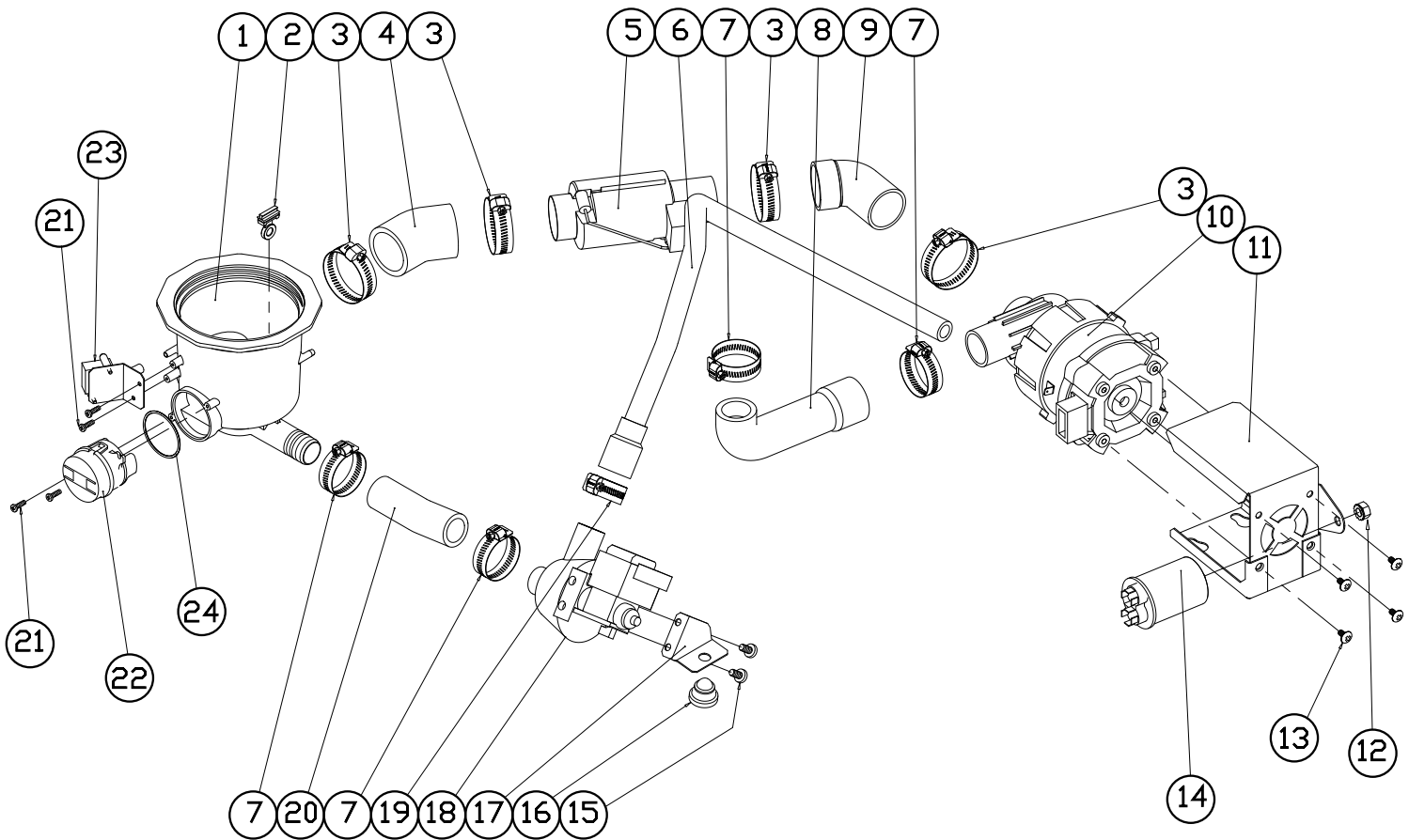
ED/ID30 Outer Case Assembly



Ref. #	Part #	Description
1	46303	Case Side, Left
2	83571	Screw, Phil, #8 x 3/8"
3	46301	Case Side, Right
4	83731	Screw, #14 x 1/2"
5	13828	Asy, Base Cover
6	13590	Toekick Asy.
7	13522	Toekick Mtg. Plt. Asy.



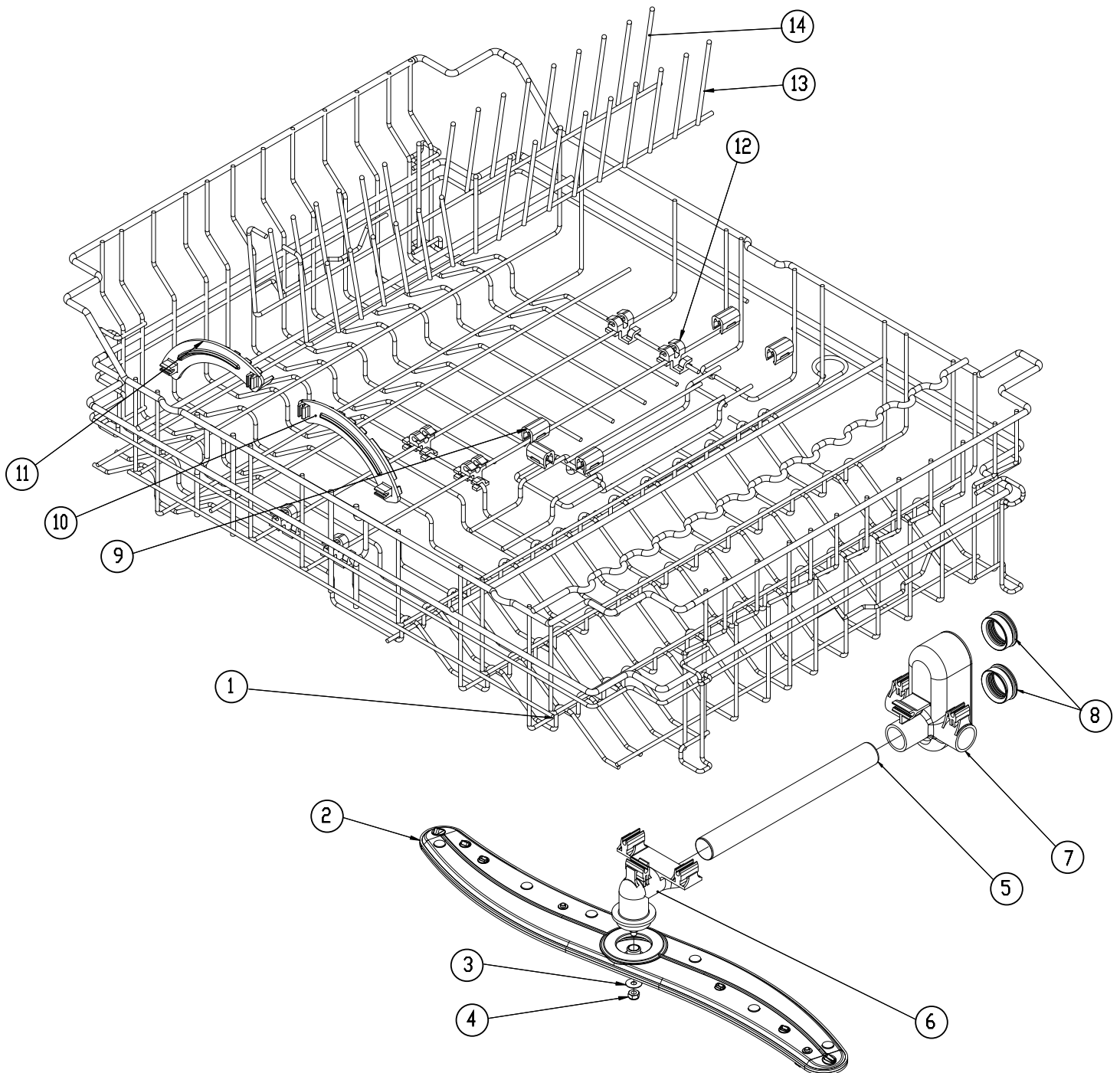
ED/ID30 Circulation Pump/Sump Assembly



Ref. #	Part #	Description
1	92108*	Sump*
2	92259	Valve, Check Sump
3	83457	Clamp 1.00 - 2.00
4	72099	Hose, Sump to Heater
5	72094	Heater
6	72101	Drain Hose
7	83605	Clamp -.75 -1.75
8	92241	Hose, Main Pump to Wash Arm
9	72098	Hose, Heater to Pump
10	72336	Circulation Pump
11	46161	Mounting Bracket
12	83660	Nut, M8-1.25 Keps
13	83609	Screw, #10 x 3/8"

14	72337	Capacitor
15	83655	Screw, M6 x 12 Phil
16	72096	Support Pump
17	38554	Brkt Drain Pump
18	72113	Drain Pump
19	83640	Clamp .50 - 1.25
20	92063	Hose, Sump to Drain
21	83602	Screw, M3.5 x 10
22	13765**	Asy, Turbidity Sensor**
23	100555***	Asy, Pressure Switch Kit***
24	92045**	O-Ring
*Order as Kit, 700993 (Click note for Details)		
**Order as Kit, 700992 (Click note for Details)		
***Order as Kit, 100555 (Click note for Details)		

ED/ID30 Upper Rack Assembly



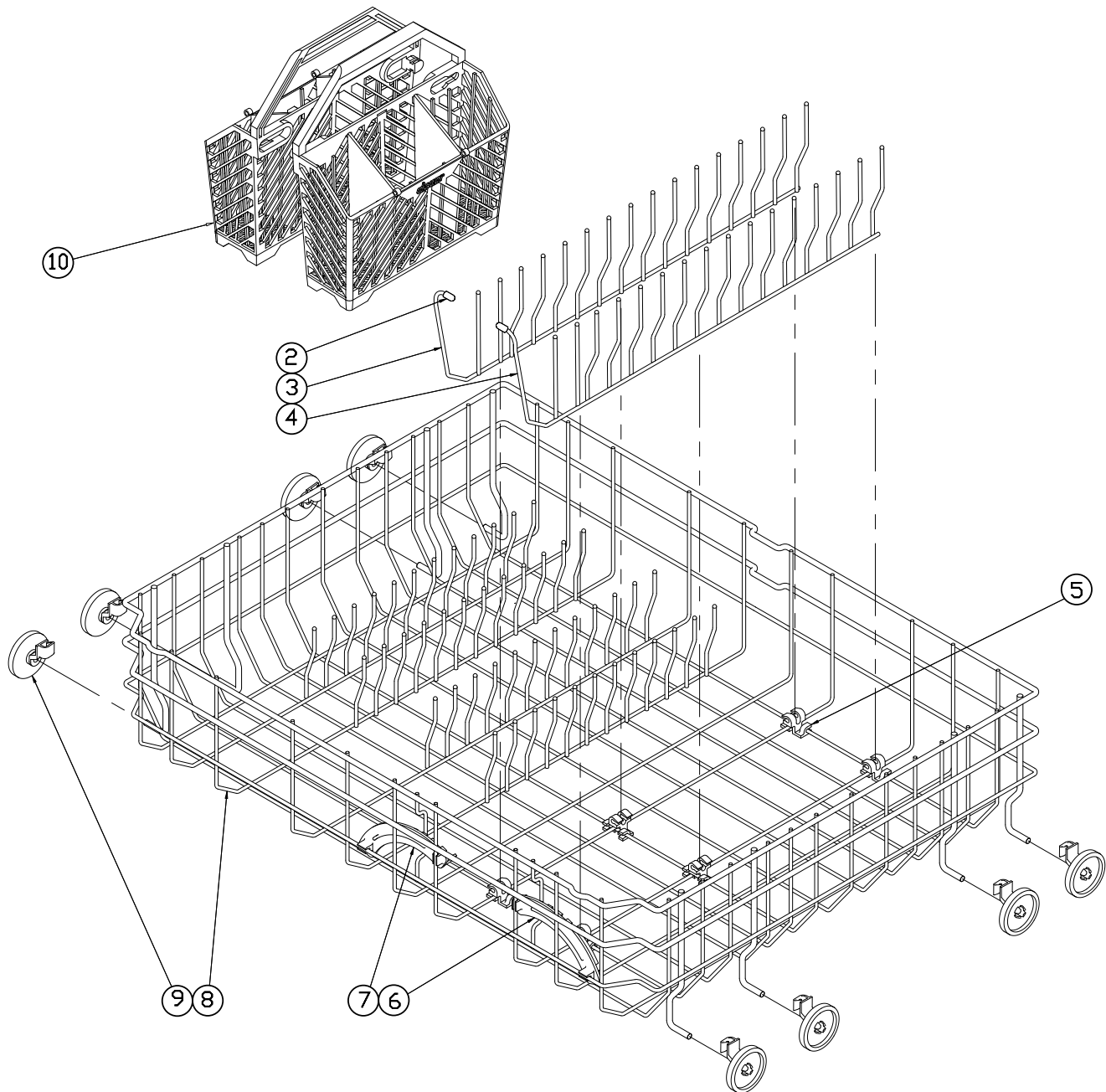
Ref. #	Part #	Description
1	100979	Rack, Upper, 30"
2	92055	Wash Arm, Upper
3	83704	Washer, Flat
4	83687	Nut, #8-32, SS
5	72482	Tube between Spinners
6	92090**	Fitting, Upper, Spray Arm**
7	92123*	Receptacle, Upper, Adjustable*

8	72591*	Water Receptacle, Grommet*
9	72086**	Clip, Snap-In**
10	72134	Tine Receiver, RH
11	72081	Tine Receiver, LH
12	72080	Holder, Tine Type-A
13	66929	Dish Rack, Upper, RH, Adjustable
14	66930	Dish Rack, Upper, LH, Adjustable
*Order as Kit, 700994 (Click note for Details)		
**Order as Kit, 701175 (Click note for Details)		

dacor

Technical Service | 1440 Bridgeway Drive | Diamond Bar, CA 91765 | PH 800-353-2267 | FAX 909-612-1702

ED/ID30 Lower Rack Assembly

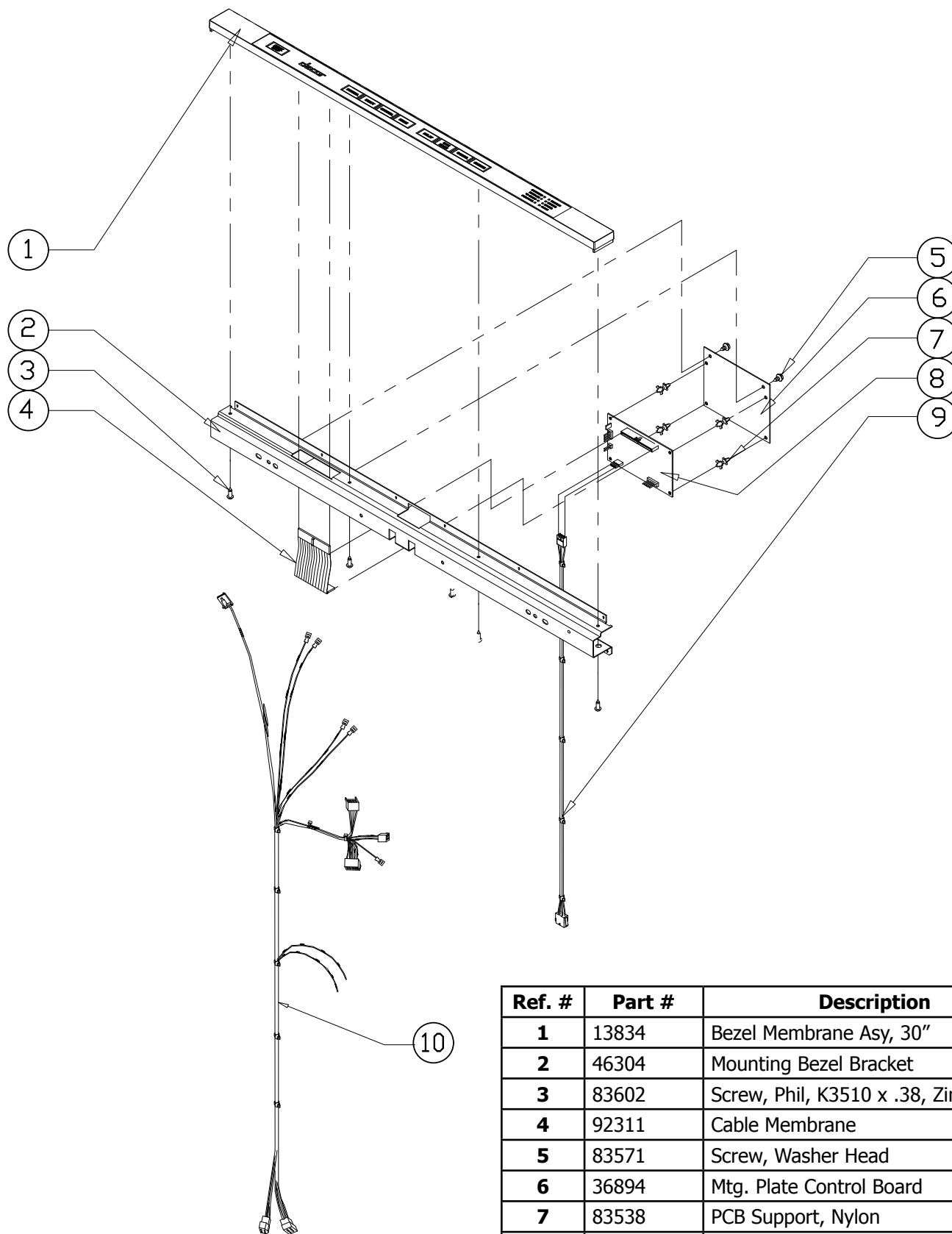


Ref. #	Part #	Description
1	13826	Lower Rack Asy. (Parts 2-9)
2	Non-Replaceable	Tine Cap, Blue
3	66931	Dish Rack Lower, LH Adjustable
4	66932	Dish Rack Lower, RH Adjustable
5	72080	Holder, Tine-Type A
6	72134	Tine Receiver, RH
7	72081	Tine Receiver, LH
8	92266	Rack, Lower, 30"
9	92285	Asy, Roller
10	72593	Silverware Basket Asy. (2 per unit)

dacor

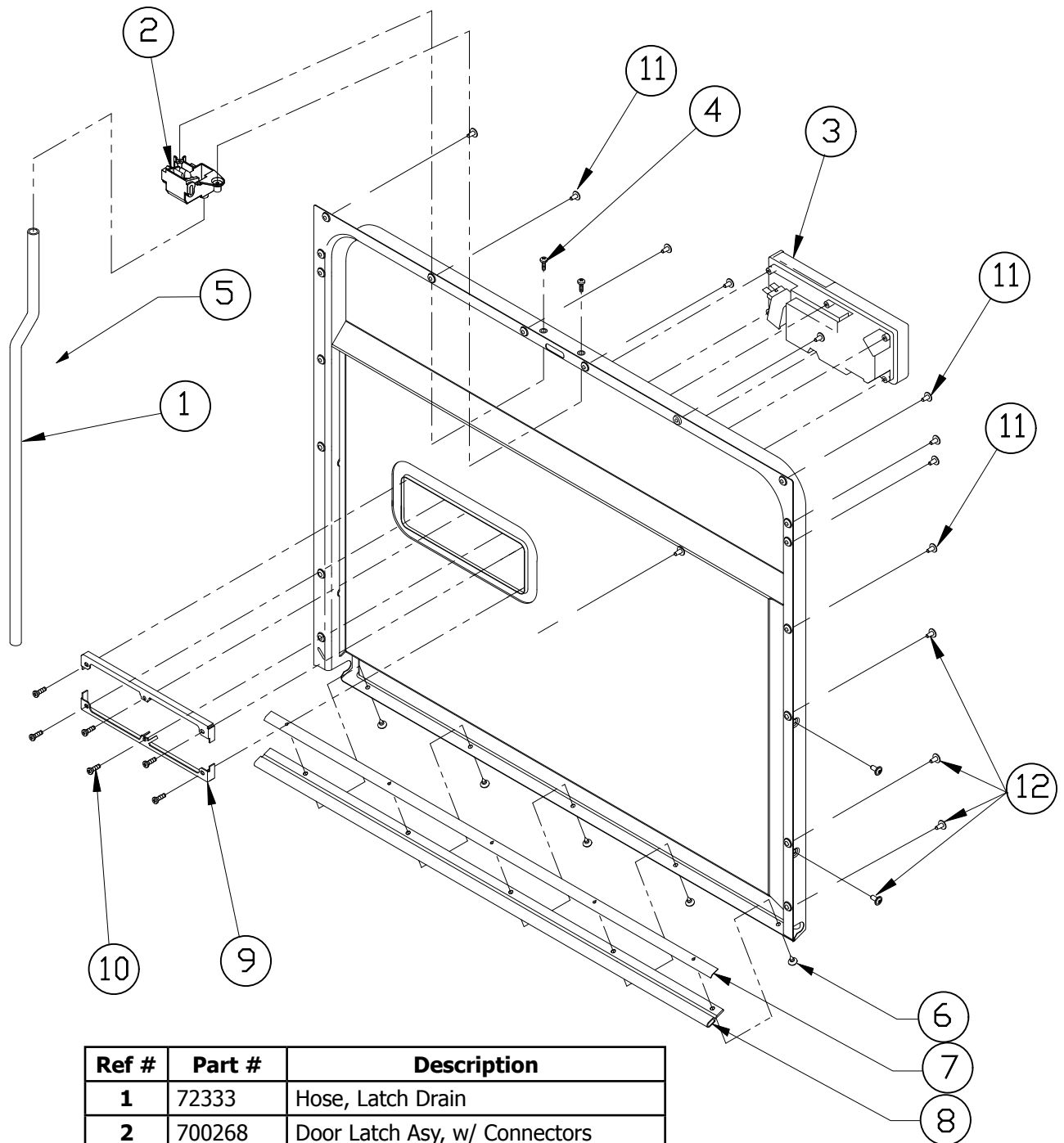
Technical Service | 1440 Bridgeway Drive | Diamond Bar, CA 91765 | PH 800-353-2267 | FAX 909-612-1702

ED/ID30 Bezel/Control Board Assembly



Ref. #	Part #	Description
1	13834	Bezel Membrane Asy, 30"
2	46304	Mounting Bezel Bracket
3	83602	Screw, Phil, K3510 x .38, Zinc
4	92311	Cable Membrane
5	83571	Screw, Washer Head
6	36894	Mtg. Plate Control Board
7	83538	PCB Support, Nylon
8	700458	Power/Control Board Kit
9	92318	Wire Harness, Control Board
10	92264	Wire Harness, Door

ED/ID30 Door Liner Assembly

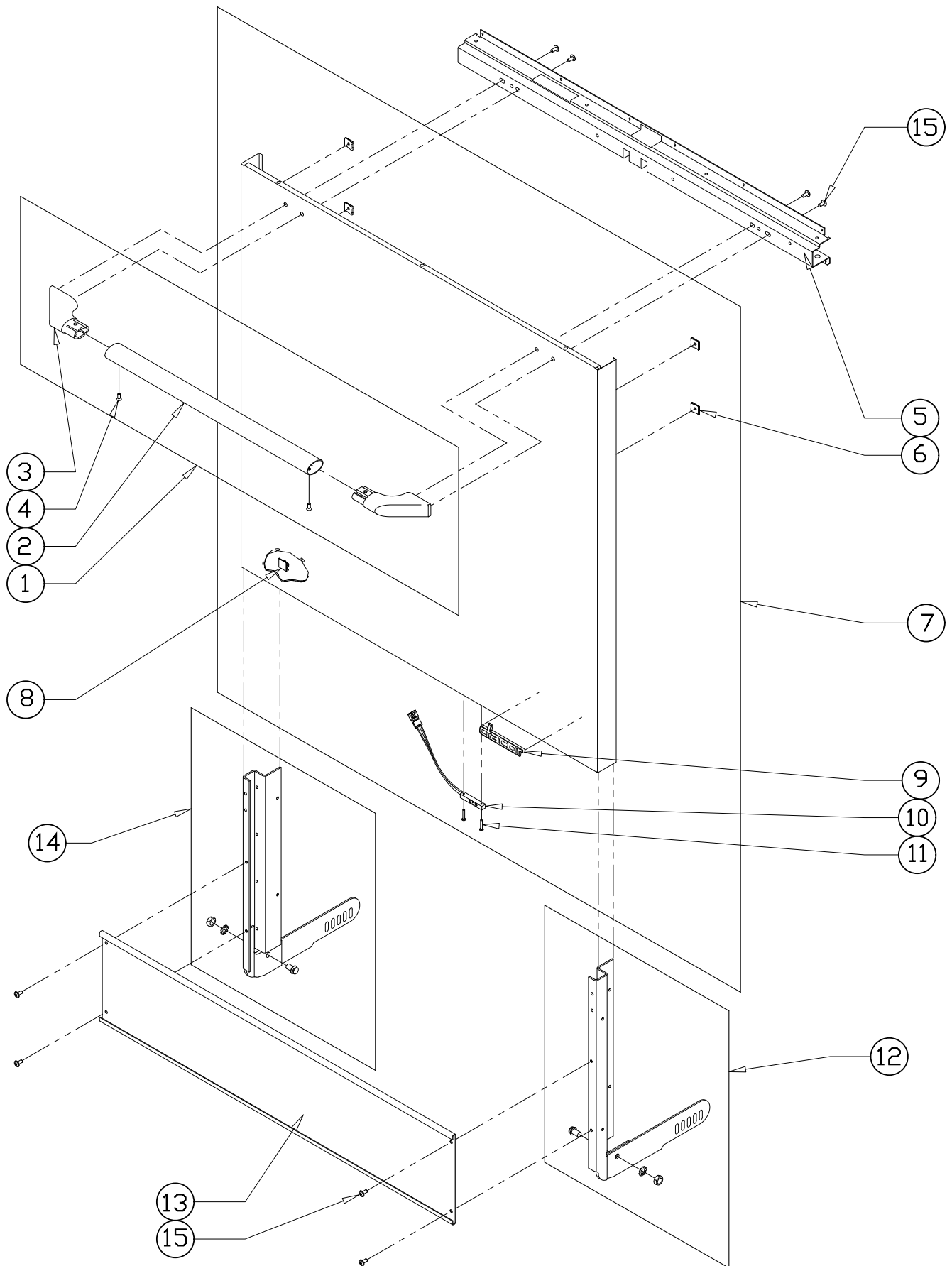


Ref #	Part #	Description
1	72333	Hose, Latch Drain
2	700268	Door Latch Asy, w/ Connectors
3	72041	Detergent Dispenser
4	83607	Screw, M40 x 12mm
5	36589	Door Liner
6	83724*	Screw, Phil Pan, #8 x 1/4"
7	36856*	Bracket, Door Seal MTG, 30"*
8	72318*	Seal, Bottom Door, 30"*
9	46146	Dispenser Bracket
10	83653	Screw, #8 x 1/2"
11	83604	Screw, Washer HD, #10-32 x 3/8"
12	83603	Screw, Washer HD, #8 x 3/8"

***Order as Kit, 701199 (Click note for Details)**



ED/ID30 Outer Door Assembly



ED/ID30 Outer Door Parts

Ref #	Part # Chrome	Part # Copper	Part # Black	Part # Brass	Description
1	13858SCH	13858SCP	13858SBC	13858SBR	Asy, Handle
2	72976	72976	72976	72976	Handle, 30"
3	100390CH	100390CP	100390BC	100390BR	End Cap, Door Handle
4	83669	83669	83669	83669	Screw, #6-32 x 5/16", End Cap
5	46304	46304	46304	46304	Brkt Bezel Mounting, 30"
6	83658	83658	83658	83658	Clip, U-Type
7	100548	100550	100551	100549	Service Asy, Door Skin
8	83718	83718	83718	83718	Heyco Clip #3636
9	72511CH	72511CH	72511CH	72511CH	Dacor Logo, Chrome
10	72487*	72487*	72487*	72487*	LED*
11	83611*	83611*	83611*	83611*	Screw, Phil, #2 x 1/2"*
12	100552	100552	100552	100552	Service Asy, Hinge Asy, Right
13	36849	36849	36849	36849	Door Brace, 30"
14	100553	100553	100553	100553	Service Asy, Hinge Asy, Left
15	83604	83604	83604	83604	Screw, #10-32 x 3/8"
*Order as Kit, 701200 (Click Note for Details) 