

dacor[®]

The Life of the Kitchen.[®]

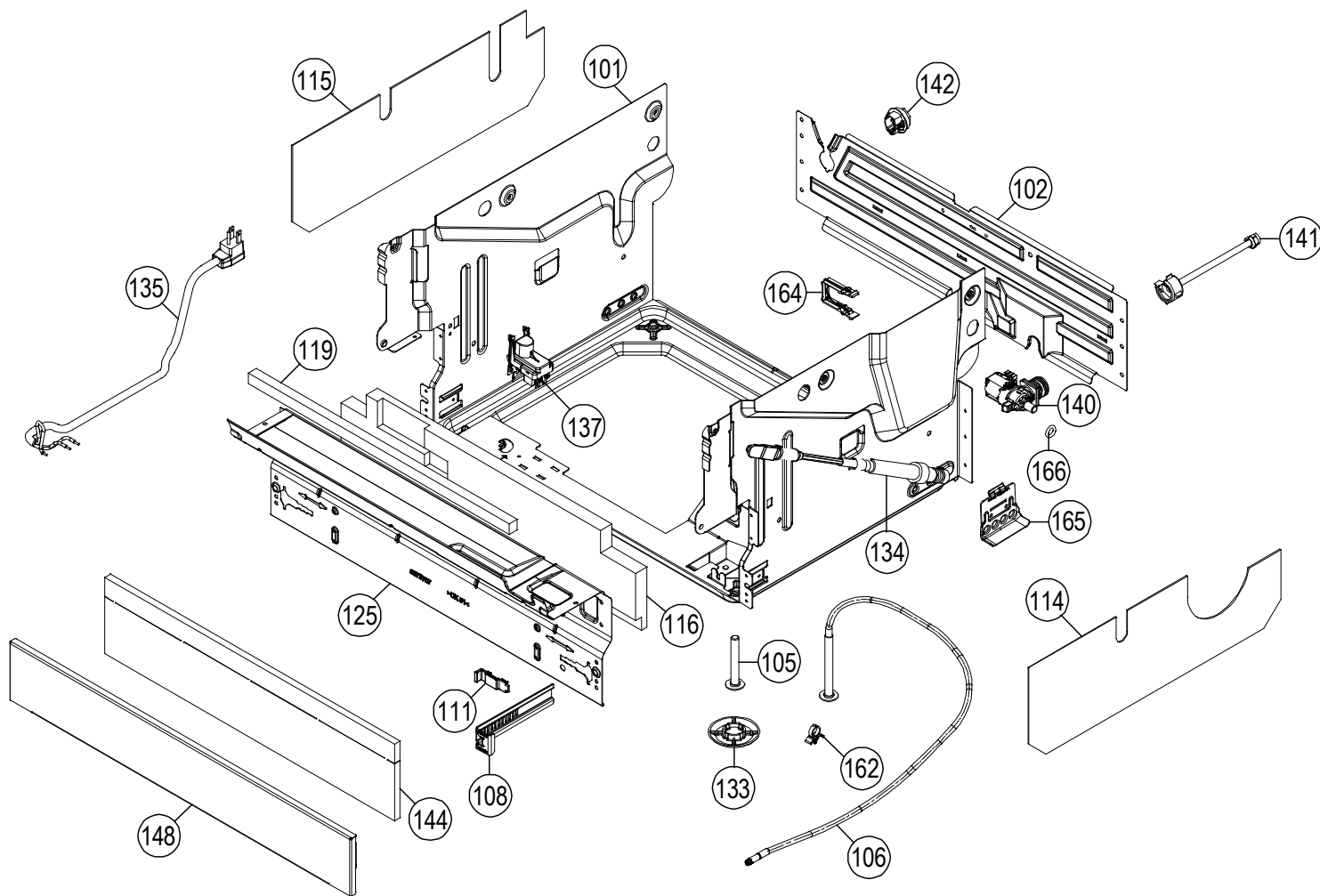
PARTS CATALOG

RDW24I Dishwasher

| Page | Description |
|-------------|---|
| 2 | Base Assembly |
| 3 | Drain and Filter Assembly |
| 4 | Door Assembly |
| 5 | Upper Chassis Assembly/ Wash Compartment |
| 6 | Wash System |
| 7 | Control Panel |

Revised 04-10-2012

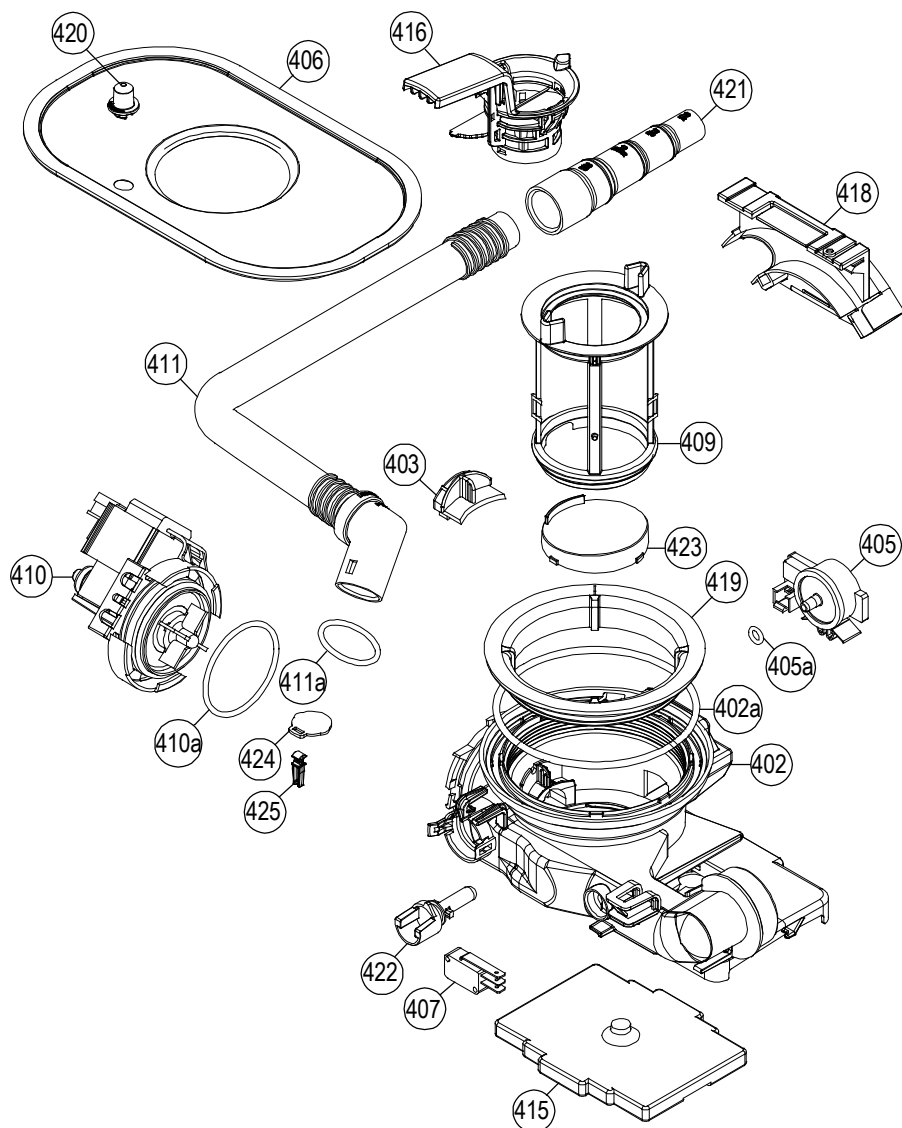
RDW24I Dishwasher - Base Assembly



| Item | Part # | Description |
|--------------|--------|----------------------------------|
| 101 | 105220 | BOTTOM OUTER COMPLETE |
| 101-a | 105267 | SCREW M4 x 8 A4 MRT VAXED T20 |
| 101-b | 105813 | SCREW O-RING A2-M6 X 12 T30 |
| 102 | 105167 | REAR PANEL |
| 102-a | 105231 | SCREW RTS 4.2 X 13 FZB T20 SORT. |
| 105 | 105153 | FOOT M10 X 75 T30 8.8 FZB |
| 106 | 105236 | FOOT ADJUSTABLE FROM FRONT CPL |
| 108 | 105142 | BRACKET KICKING PLATE |
| 111 | 105143 | SPRING KICKING PLATE L-GREY |
| 114 | 105814 | SOUND ABSORP. SELF AD. RIGHT |
| 115 | 105815 | SOUND ABSORP. SELF AD. LEFT |
| 116 | 105817 | SOUND ABSORBENT GUARD PLATE |
| 119 | 105818 | SOUND ABSORPTION PROFILE |
| 125 | 105237 | GUARD PLATE FLANGED |
| 125-a | 105231 | SCREW RTS 4.2 X 13 FZB T20 SORT. |
| 133 | 105103 | SLIDE FOOT DM-14 |

| Item | Part # | Description |
|--------------|--------|----------------------------------|
| 134 | 105238 | DOOR SPRING CPL HARD DAMPER BLU |
| 135 | 105201 | CORD SET 15A |
| 137 | 105199 | FILTER WITH SCREW PLINT |
| 137-a | 105226 | SCREW MRT-TT 4 X 10 FZB T20 |
| 140 | 105218 | KIT INL.VALVE/LOCK ARM SING 120V |
| 141 | 105111 | CONNECTIONS PIPE 9/16-3/4 UL4 |
| 142 | 105102 | GROMMET Z13 |
| 144 | 105819 | SOUND ABSORP. KICKING PLATE |
| 148 | 105239 | KICK-PLATE |
| 162 | 105240 | CABLE HOLDER SRC-8-01 |
| 164 | 105193 | LOCK ARM INLET VALVE |
| 165 | 105169 | HOLDER DOOR SPRING OUT. BOTTOM |
| 165-a | 105232 | SCREW RTK ST 4,2 X 9.5 FZB WAX. |
| 166 | 105820 | O-RING 10 X 3.5 |

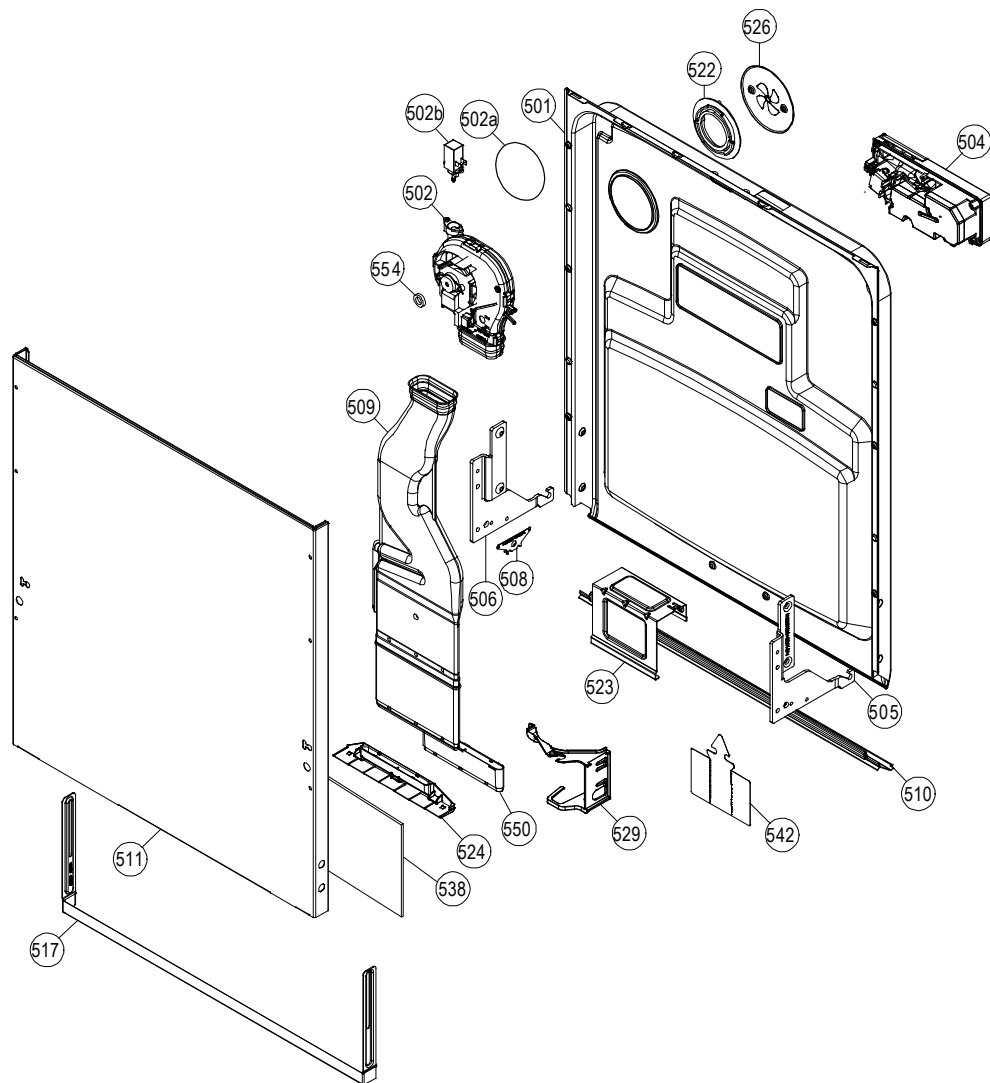
RDW24I - Drain and Filter Assembly



| Item | Part # | Description |
|--------------|--------|--------------------------------|
| 402 | 105207 | BOTTOM WELL PRESSURE SENS. |
| 402-a | 105137 | O-RING 110 x 4 |
| 403 | 105171 | RINSE BOTTOM WELL YELLOW |
| 405 | 105149 | PRESSURE SENSOR *ESD* |
| 405-a | 105152 | O-RING 6.3 X 2.4 |
| 406 | 105128 | STRAINER DW20 |
| 407 | 105147 | MICROSWITCH FLOAT |
| 409 | 105163 | PIPE FILTER ELECTRO POLISH CPL |
| 410 | 105181 | DRAIN PUMP 120V 60Hz |
| 410-a | 105115 | O-RING 49.5 X 3.0 |
| 411 | 105821 | OUTLET W HARD END CUFF |
| 411-a | 105233 | O-RING 32.2 X 3 |
| 415 | 105170 | FLOAT |

| Item | Part # | Description |
|--------------|--------|-------------------------------|
| 416 | 105164 | STRAINER BASKET GREY |
| 418 | 105127 | HOLDER OUTLET HOSE |
| 418-a | 105101 | CABLE STRIP |
| 418-b | 105227 | SCREW PT KB40 X 10 |
| 419 | 105129 | LOCK RING BOTTOM WELL |
| 420 | 105135 | VENTILATOR |
| 421 | 105144 | END CUFF |
| 422 | 105178 | THERMISTOR |
| 423 | 105197 | BOTTOM LID TUBE FILTER |
| 424 | 105195 | SEALING FLAT NON RETURN VALVE |
| 425 | 105200 | HOOK NON RETURN VALVE |

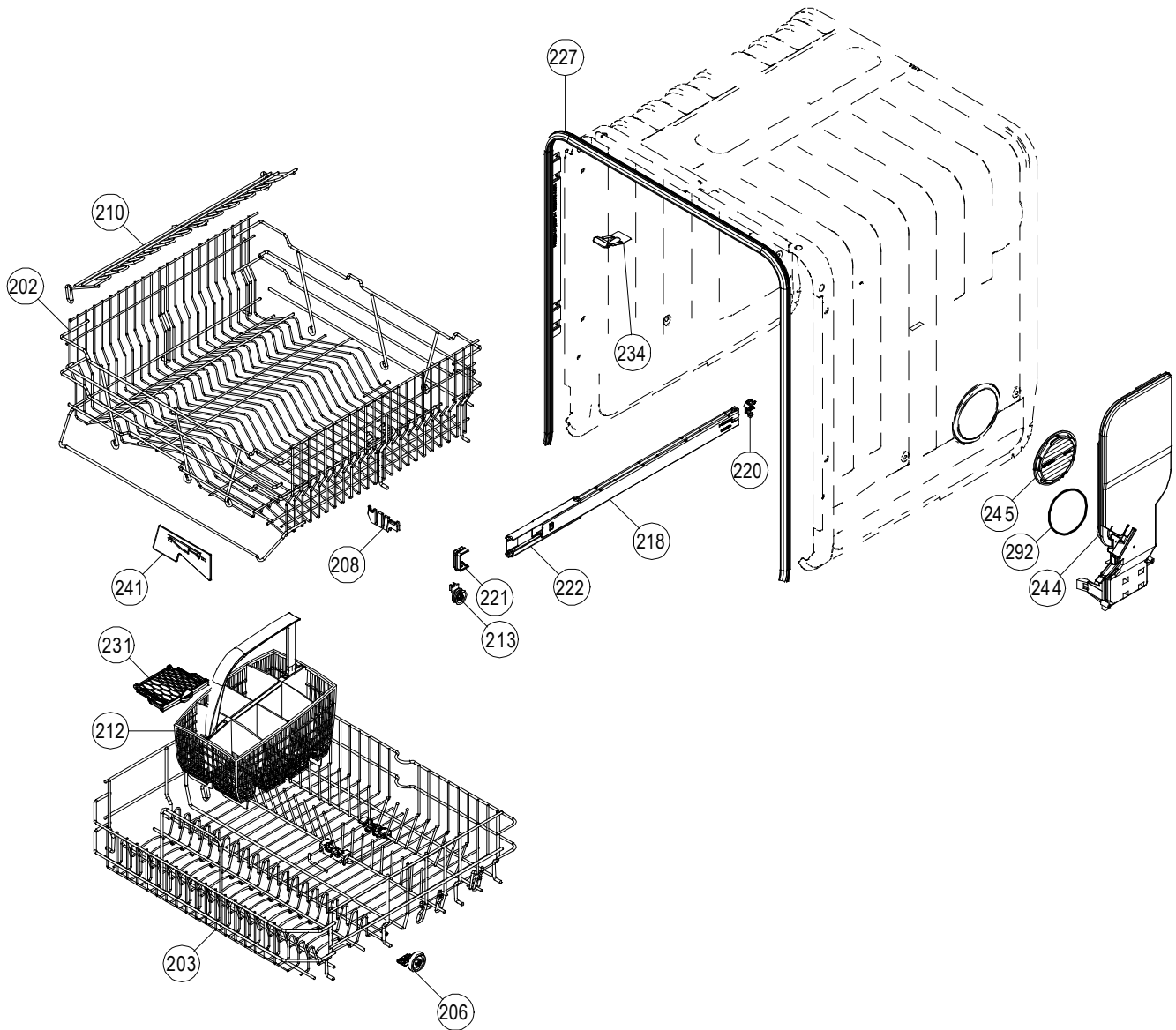
RDW24I Dishwasher - Door Assembly



| Item | Part # | Description |
|--------------|--------|---------------------------------|
| 501 | 105262 | DOOR INNER W.FAN |
| 501-b | 105229 | SCREW A2 MKFT 5 x 10 |
| 502 | 105822 | FAN COMPL. 120 V 60 Hz |
| 502-a | 105244 | O-RING 83 x 3 NBR70 |
| 502-b | 105245 | KIT WITH NEW WAX MOTOR |
| 502-c | 105228 | SCREW PT KB 40 X 10 |
| 504 | 105823 | COMBI DISP |
| 505 | 105824 | HINGE RIGHT |
| 506 | 105825 | HINGE LEFT |
| 507 | 105110 | HINGE SCREW |
| 507-a | 105100 | NUT M4 (LOCKING) |
| 508 | 105248 | WASHER HINGE BEARING |
| 509 | 105249 | AIR CHANNEL |
| 510 | 105118 | DOOR SEAL LOWER |
| 511 | 105250 | DOOR OUTER HIGH |
| 511-a | 105225 | SCREW A4 RTS 4.2 x 13 T20 Sort. |

| Item | Part # | Description |
|--------------|--------|---------------------------------|
| 517 | 105251 | ADJUSTABLE FRAME AIR CHANNEL |
| 517-a | 105252 | SCREW MRT-GF M5 X 8 |
| 522 | 105253 | LOCKING RING 2 FAN HOUSE |
| 522-a | 105228 | SCREW PT KB 40 x 10 RFS |
| 523 | 105254 | INTERMEDIATE STAY |
| 523-a | 105231 | SCREW RTS 4.2 x 13 T20 Sort. |
| 523-b | 105225 | SCREW A4 RTS 4.2 x 13 T20 Sort. |
| 524 | 105849 | AIR NOZZLE |
| 526 | 105256 | COVER PLATE FAN WITH SYMBOL |
| 526-a | 105228 | SCREW PT KB 40 x 10 RFS |
| 529 | 105155 | BRACKET FOR HARNESS |
| 538 | 105826 | INSULATION |
| 542 | 105257 | COVER, CABLES |
| 550 | 105258 | INTERMEDIATE AIR CHANNEL |
| 554 | 105260 | SPACER FAN MOTOR-OUTER DOOR |

RDW24I Upper Chassis/Wash Compartment

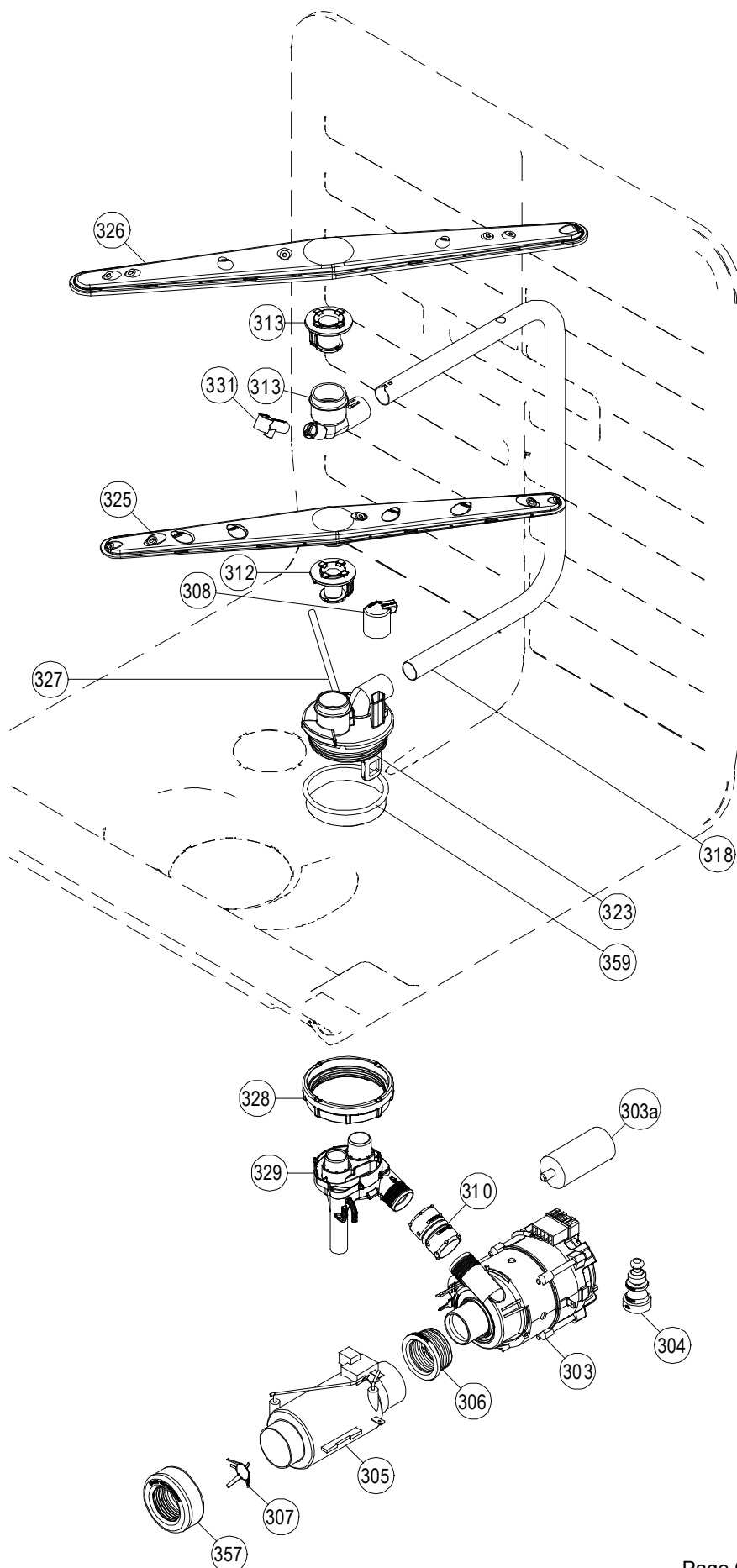


| Item | Part # | Description |
|------|--------|---------------------------------|
| 202 | 105222 | UPPER BASKET STD COMPLETE |
| 203 | 105112 | LOWER BASKET STD COMPLETE |
| 206 | 105184 | WHEEL FOR LOWER BASKET |
| 208 | 105120 | HOLDER, CARVING KNIVES |
| 210 | 105122 | WINE GLASS SHELF |
| 212 | 105215 | CUTLERY BASKET |
| 213 | 105117 | BASKET WHEEL COMPLETE |
| 218 | 105107 | KIT, GUIDE RAIL, COMPLETE |
| 220 | 105114 | BALL CATCH GREY COMPLETE |
| 221 | 105209 | BASKET STOP |
| 222 | 105217 | KIT BALL HOLDER INCLUDING BALLS |
| 227 | 105108 | DOOR STRIP |

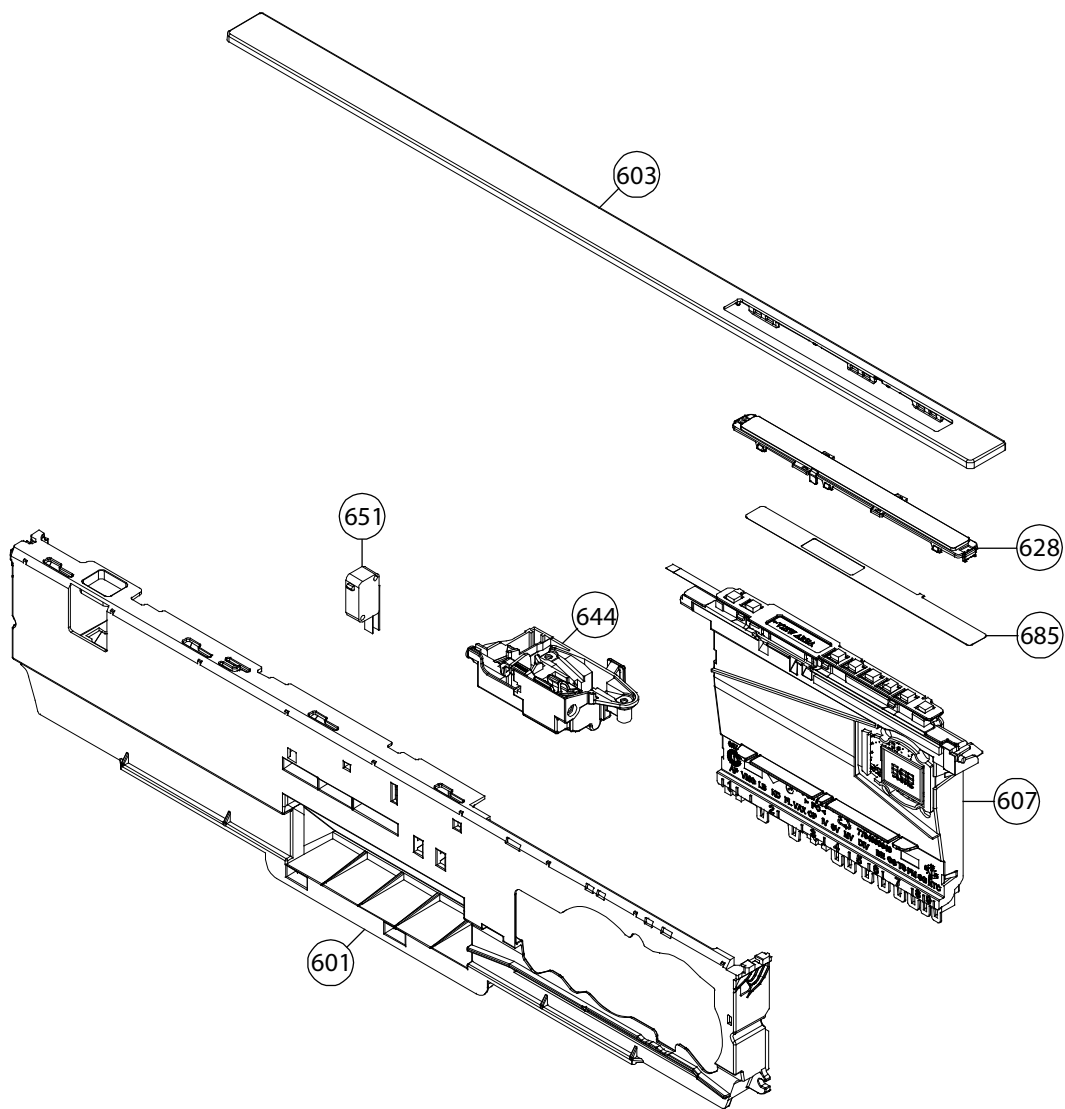
| Item | Part # | Description |
|-------|--------|-----------------------|
| 231 | 105183 | DOOR CUTLERY BASKET |
| 234 | 105265 | LOCK HITCH |
| 234-a | 105266 | LOCK WASHER |
| 234-b | 105267 | SCREW M4 x 8 |
| 241 | 105109 | KNIFE STOP PLATE |
| 244 | 105182 | AIR BREAK STD. |
| 245 | 105179 | LOCK RING AIR BREAKER |
| 292 | 105270 | O-RING |

RDW24I Dishwasher - Wash System

| Item | Part # | Description |
|-------|--------|-----------------------------|
| 303 | 105180 | CIRC. PUMP 120 V 60 Hz |
| 303-a | 105206 | CAPACITOR 7.0 UF 400 V |
| 304 | 105194 | RUBBER DAMPER CIRC. PUMP |
| 305 | 105829 | HEATER WITH INSERT |
| 306 | 105191 | SEALING HEATER |
| 307 | 105192 | INSERT FOR HEATER |
| 308 | 105139 | CUP DRAINAGE GREY |
| 310 | 105221 | KIT HOSE INCL .CLAMPS |
| 312 | 105161 | SPRAY ARM BEARING |
| 313 | 105106 | KIT SPRAY ARM BEARING UPPER |
| 318 | 105140 | SPRAY PIPE |
| 323 | 105161 | KIT SPRAY ARM BEAR |
| 325 | 105131 | SPRAY ARM LOWER COMPLETE |
| 326 | 105132 | SPRAY ARM UPPER COMPLETE |
| 327 | 105275 | TUBE POT RINSE |
| 327-a | 105228 | SCREW PT KB 40 X 10 |
| 328 | 105123 | LOCK RING SPRAY TOWER |
| 329 | 105177 | WATER FLOW CHANNEL |
| 331 | 105276 | SPRAY NOZZLE |
| 357 | 105204 | SEALING HEATER BOTTOM SUMP |
| 359 | 105268 | O-RING 69.5 X 3 |



RDW24I Dishwasher - Control Panel



| Item | Part # | Description |
|--------------|--------|------------------------------|
| 601 | 105832 | PANEL DOOR |
| 602 | 105833 | PROG INFO LABEL DACOR |
| 603 | 105834 | LENS DACOR |
| 607 | 105835 | CONTROL UNIT, COMPLETE |
| 610 | 105281 | CABLE SET THERMISTOR |
| 614 | 105175 | CABLE SET CIRC PUMP IN VALVE |
| 616 | 105174 | CABLE SET FLOW AND PRESSURE |
| 618 | 105836 | CABLE SET POWER TOUCH |
| 620 | 105837 | CABLE SET DOOR FAN-REED |
| 622 | 105172 | CABLE SET DRAIN |
| 628 | 105838 | TOUCH LENS |
| 644 | 105284 | LOCK COMPLETE INTEGRATED |
| 644-a | 105228 | SCREW PT KB40 X 10 |
| 651 | 105148 | MICROSWITCH DOOR |
| 685 | 105839 | DACOR LENS INSERT |