

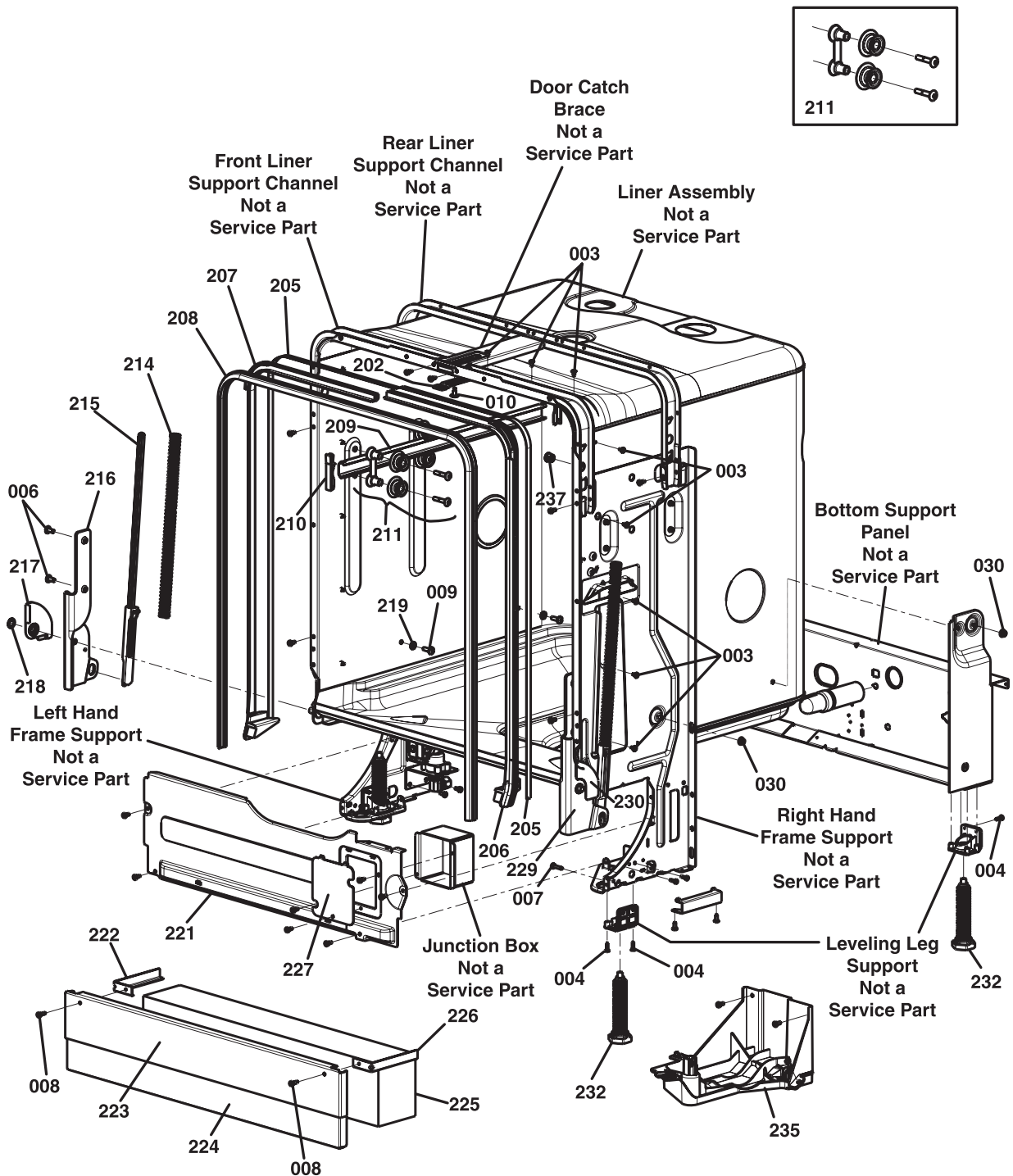


# DACOR BUILT-IN DISHWASHER SERVICE MANUAL

## Door and Control Panel

| Pos. # | Dacor # | Description                      |
|--------|---------|----------------------------------|
| 004    | 101348  | SCREW, PAN HD HI/LO, #7-19X1/2   |
| 005    | 101349  | SCREW, C/SUNK#6HD, #8X11AB       |
| 006    | 101350  | SCREW, TAPTITE, M5X6TRUSS HD, ZC |
| 012    | 101351  | SCREW, CSKAB, 6X3/8PH, S/S       |
| 013    | 101352  | SCREW, INOX, 5.2X14              |
| 016    | 101353  | SCREW, FLANGE HD, #7X12PH        |
| 031    | 101354  | WASHER, INT.S/PROOF, 3/16"       |
| 032    | 101355  | WASHER, FLAT, 15X5.5X1.2         |
| 400    | 101356  | PANEL, DOOR, TOP INTEGRATED      |
| 401    | 101311  | HANDLE, DOOR                     |
| 402    | 101358  | NUT, UTYPE, #8AB                 |
| 403    | 101359  | BRACE, DOOR STIFFENING, LH       |
| 404    | 101360  | BRACE, DOOR STIFFENING, RH       |
| 406    | 101361  | INSULATION, DOOR, LOWER          |
| 407    | 101362  | SEAL, DOOR, BOTTOM               |
| 408    | 101363  | PANEL, DOOR, INNER, COMPLETE     |
| 409    | 101364  | DISPENSER, W/REED SWITCH         |
| 410    | 101365  | LOCK, DOOR UNIT                  |
| 411    | 101366  | SUPPORT, MAIN CONTROLLER         |
| 412    | 101367  | BOARD, MAIN CONTROLLER           |
| 413    | 101368  | GROMMET, 4.8MM                   |
| 414    | 101369  | SHIELD, MAIN CONTROLLER          |
| 415    | 101370  | LENS, TOP DISPLAY                |
| 416    | 101371  | PANEL, BUTTONS, ELASTOMER        |
| 417    | 101372  | BOARD, TOP SWITCH                |
| 034    | 101373  | Single Terminal                  |
| 035    | 101374  | Nut,BSW-ZN-3/16                  |
| 036    | 101375  | Screw,P/HD 3/16 X 3/8            |

- \*\* 102325 Wire Harness
- 418 103618 Housing, Switch Button
- 419 103619 Grommet, Carrier Integrated
- 421 103620 Backing Plate
- 422 72510CH Logo
- \*\* 102325 Wire Harness



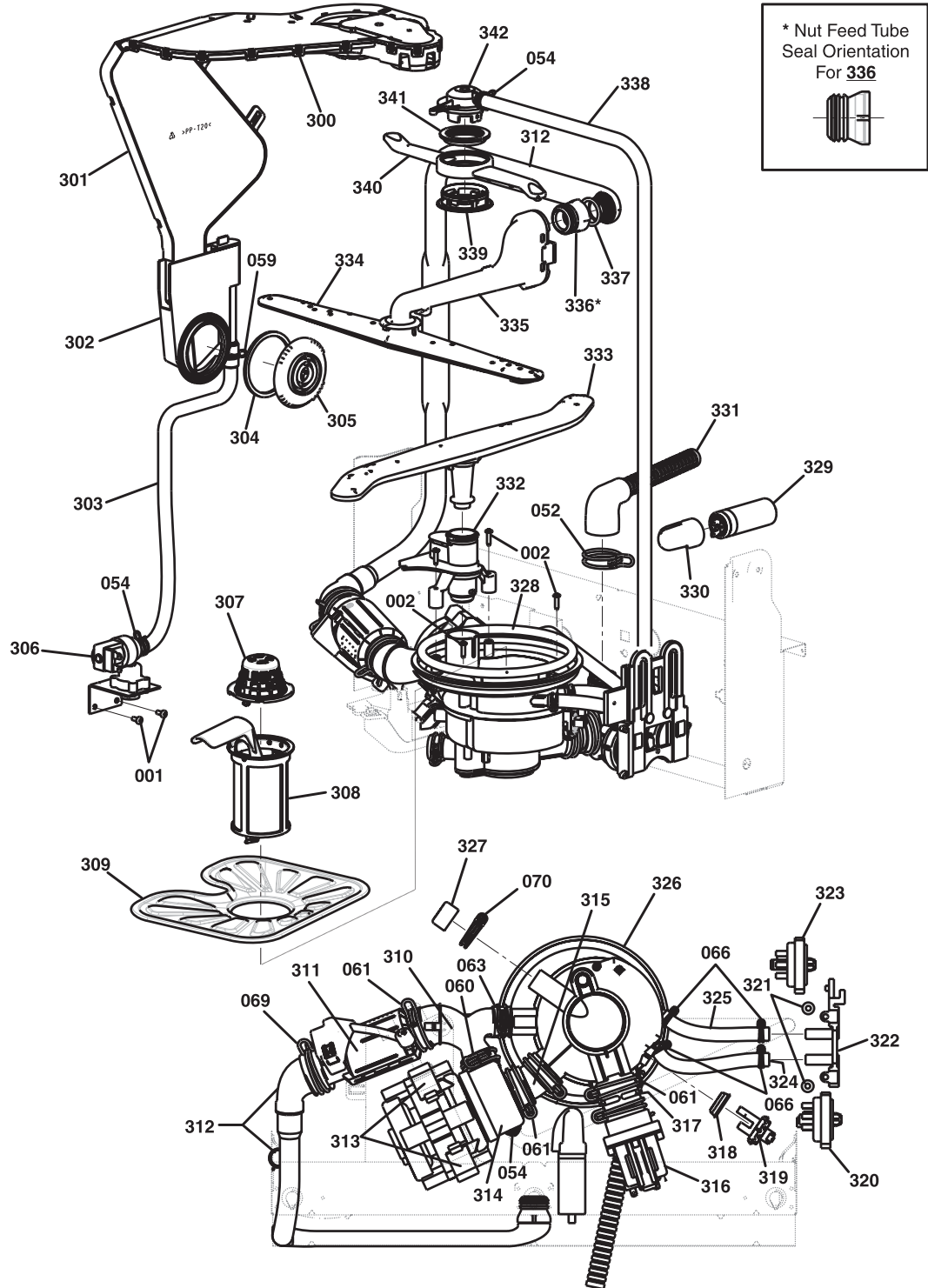
## TUB AND FRAME

# DACOR BUILT-IN DISHWASHER SERVICE MANUAL

## Tub and Frame

| Pos. # | Dacor # | Description                           |
|--------|---------|---------------------------------------|
| 001    | 101376  | SCREW, EXTRUDE TITE, M4X10 PN HDPH    |
| 003    | 101377  | SCREW, FLANGE HD, #7-1 9X8 HI/LO      |
| 004    | 101348  | SCREW, PANHDHI/LO, #7-19 X1/2         |
| 006    | 101350  | SCREW, TAPTITE, M5X6 TRUSS HD, ZC     |
| 007    | 101378  | SCREW, PHPAN HD, #8X19                |
| 008    | 101379  | SCREW, ALKON TT0812, #8X13, BLACK     |
| 009    | 101380  | SCREW, TRUSS PHHD, M5X16, S/S         |
| 010    | 101381  | SCREW, E4TORX, M5X13 PHHD             |
| 030    | 101382  | LOCK NUT, WHIZZY, M5X0.8 HEX          |
| 202    | 101383  | CATCH, DOOR                           |
| 205    | 101384  | SEAL, RETAINER, DOOR SEAL             |
| 206    | 101385  | RETAINER, DOOR SEAL, RH               |
| 207    | 101386  | RETAINER, DOOR SEAL, LH               |
| 208    | 101387  | SEAL, DOOR, BLACK                     |
| 209    | 101388  | RAIL, UPPER RACK                      |
| 210    | 101389  | STOP, UPPER RACK RAIL                 |
| 211    | 101390  | SUPPORT, ROLLER ASSY.                 |
| 214    | 101391  | SPRING, DOOR HINGE                    |
| 215    | 101392  | SUPPORT, DOOR SPRING                  |
| 216    | 101393  | HINGE, DOOR, LH                       |
| 217    | 101394  | GUARDPAD, DOOR HINGE, LH              |
| 218    | 101395  | CLIP, DOOR PIVOT                      |
| 219    | 101396  | WASHER, SEALING                       |
| 221    | 101397  | PANEL, FRONT COVER                    |
| 222    | 101398  | BRACKET, KICK PLATE, LH               |
| 223    | 101399  | PANEL, ADJ. KICKPLATE, BLACK, TOP     |
| 224    | 101400  | PANEL, ADJ. KICK PLATE, BLACK, BOTTOM |
| 225    | 101401  | INSULATION, KICK PLATE                |
| 226    | 101402  | BRACKET, KICK PLATE, RH               |
| 227    | 101403  | COVER, JUNCTION BOX                   |
| 229    | 101404  | HINGE, DOOR, RH                       |
| 230    | 101405  | GUARD PAD, DOOR HINGE, RH             |
| 232    | 101406  | LEG, LEVELING ASSY.                   |
| 235    | 101407  | SUPPORT, MOTOR/PUMP                   |
| 237    | 101408  | CONE, DOOR GUIDE                      |

# SECTION 6 - PARTS BREAKDOWN



## MOTORS AND PUMPS

# DACOR BUILT-IN DISHWASHER SERVICE MANUAL

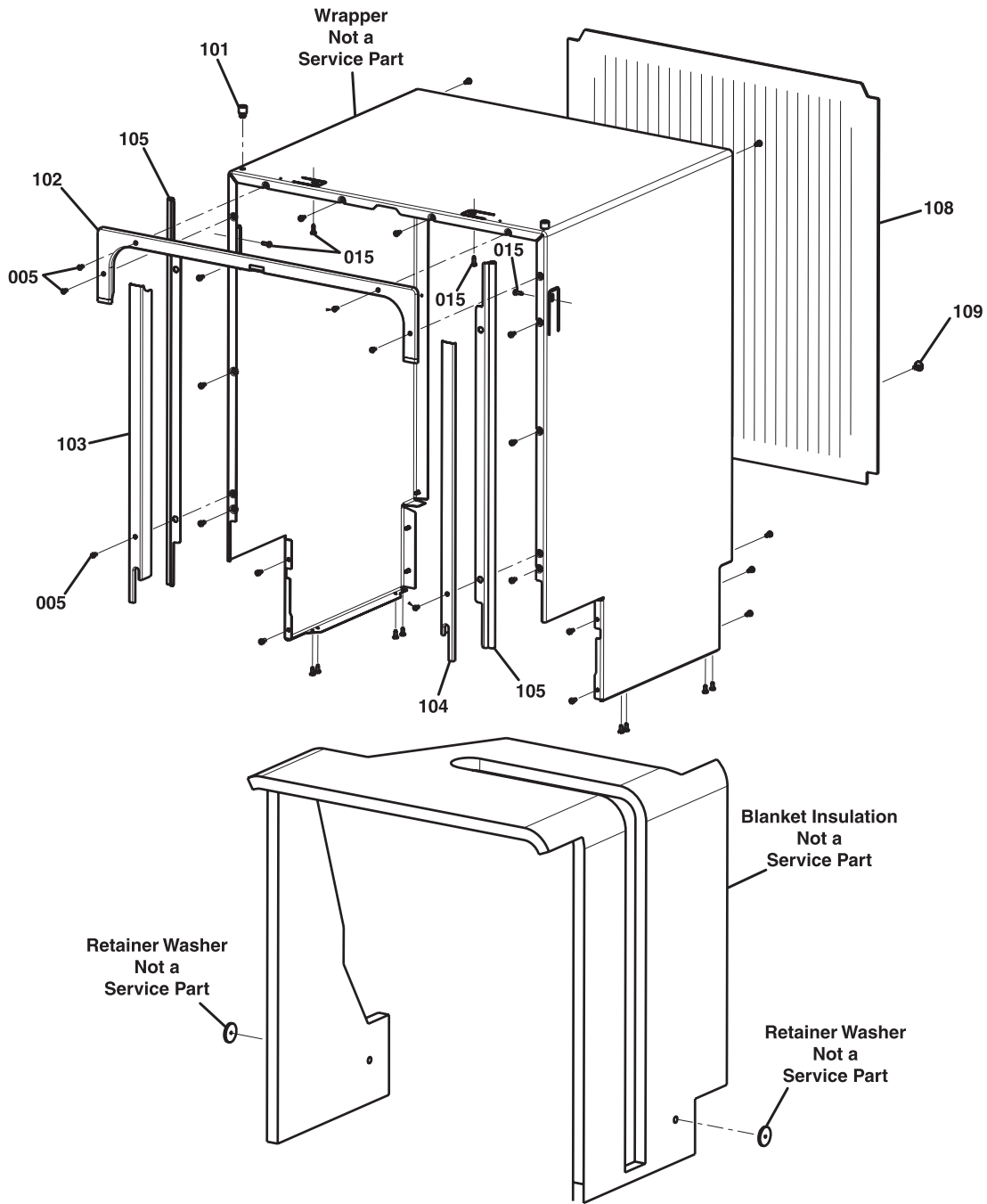
## Motors and Pumps

| Pos. # | Dacor # | Description                                      |
|--------|---------|--|
| 001    | 101376  | SCREW, EXTRUDETITE, M4X10PNHDPH                  |
| 002    | 101409  | SCREW, INOX, 4X16 TT                             |
| 052    | 101410  | CLAMP, DRAINHOSE                                 |
| 054    | 101411  | CLAMP, HOSE, 15.5MM, BLACK                       |
| 059    | 101412  | CLAMP, HOSE, 17.7MM                              |
| 060    | 101413  | CLAMP, HOSE, 38MM                                |
| 061    | 101414  | CLAMP, HOSE, 44MM                                |
| 063    | 101415  | CLAMP, HOSE, 32MM                                |
| 066    | 101416  | CLAMP, HOSE, PRESSURE SWITCH                     |
| 069    | 101417  | CLAMP, HOSE, 47MM, UPPER SPRAY ARM               |
| 070    | 101418  | CLAMP, HOSE, 28MM                                |
| 300    | 101419  | FAN, DRY UNIT, 120V/60HZ                         |
| 301    | 101420  | DUCT, CONDENSER, COMPLETE                        |
| 302    | 101421  | INLET, SYPHON BREAK                              |
| 303    | 101422  | HOSE, SYPHON BREAK                               |
| 304    | 101423  | GASKET, AIR VENT                                 |
| 305    | 101424  | VENT, AIR  |
| 306    | 101425  | VALVE, WATER INLET, 120V/60HZ                    |
| 307    | 101426  | COVER, FILTER, DRAIN CUP                         |
| 308    | 101427  | FILTER, MICRO MESH                               |
| 309    | 101428  | FILTER, PRIMARY, STAINLESS                       |
| 310    | 101429  | HOSE, PUMP/SUMP                                  |
| 311    | 101430  | ELEMENT, IN-LINE, 1200W, 120V                    |
| 312    | 101431  | TUBE ASSEMBLY, HEATER, UPPER SPRAY ARM, COMPLETE |
| 313    | 101432  | BRACKET, MOTORMOUNTING                           |
| 314    | 101433  | PUMP MOTOR, RECIRCULATING, 120V/60HZ             |
| 315    | 101434  | HOSE, RECIRC. PUMP                               |
| 316    | 101435  | PUMP MOTOR, DRAIN, 120V/60HZ                     |
| 317    | 101436  | HOSE, SUMP/DRAIN                                 |
| 318    | 101437  | SEAL, NTC SWITCH                                 |
| 319    | 101438  | SWITCH, NTC W/ TURBIDITY, 10KO                   |
| 320    | 101439  | SWITCH, PRESSURE, ULP2, SAFETY                   |
| 321    | 101440  | SEAL, PRESSURE SWITCH, PORT                      |
| 322    | 101441  | SUPPORT, PRESSURE SWTCHS                         |
| 323    | 101442  | SWITCH, PRESSURE, UL, FILL LEVEL                 |
| 324    | 101443  | TUBE, PRESSURE SWITCH, SAFETY                    |
| 325    | 101444  | TUBE, PRESSURE SWITCH, P1 LEVEL                  |
| 326    | 101445  | HOUSING, SUMP                                    |

## SECTION 6 - PARTS BREAKDOWN

### Motors and Pumps (continued)

| Pos. # | Dacor # | Description                    |
|--------|---------|--------------------------------|
| 327    | 101446  | PLUG, WATER SOFTENER           |
| 328    | 101447  | SEAL, SUMP                     |
| 329    | 101448  | CAPACITOR, 10 UFUL             |
| 330    | 101449  | CAP, CAPACITOR                 |
| 331    | 101450  | HOSE, DRAIN, 1/2"              |
| 332    | 101451  | SUPPORT, SPRAY ARM, LOWER      |
| 333    | 101452  | SPRAY ARM, LOWER ASSY          |
| 334    | 101453  | SPRAY ARM, UPPER ASSY.         |
| 335    | 101454  | TUBE, SPRAY ARM, UPPER         |
| 336    | 101455  | NUT, FEED TUBE, COMPLETE       |
| 337    | 101456  | SEAL, O-RING                   |
| 338    | 101457  | HOSE, UPPER SPRAY ARM, TO PUMP |
| 339    | 101458  | NUT LOCK, SPRAY ARM, 3RD LEVEL |
| 340    | 101459  | SPRAY ARM, 3RD LEVEL           |
| 341    | 101460  | SEAL, ADAPTOR                  |
| 342    | 101461  | ADAPTOR, SPRAY ARM, 3RD LEVEL  |



All Screws Not Labeled Are Item 001 Screws

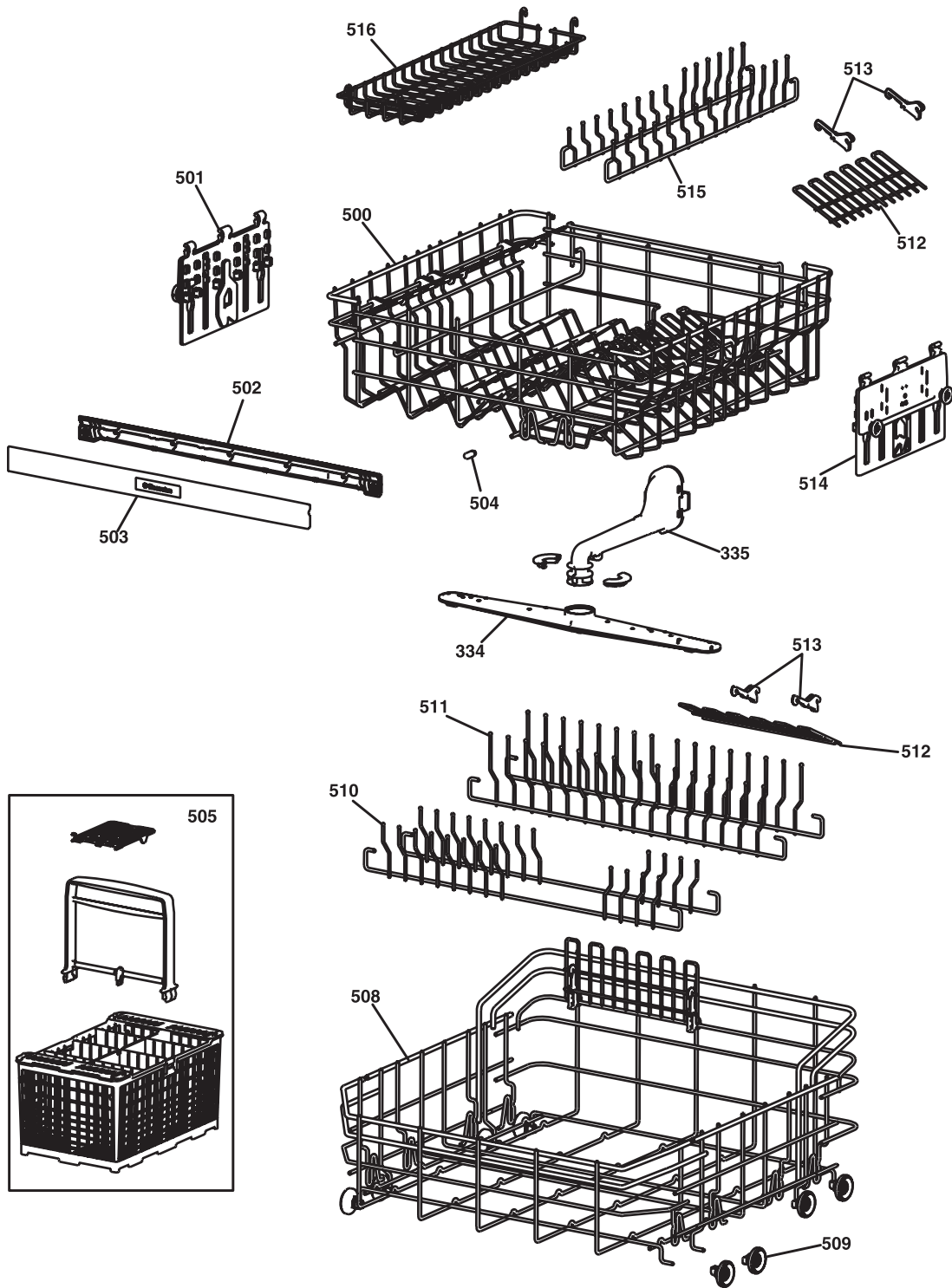
## WRAPPER AND TRIM



**Wrapper and Trim**

---

| <b>Pos. #</b> | <b>Dacor #</b> | <b>Description</b>                 |
|---------------|----------------|------------------------------------|
| 001           | 101376         | SCREW, EXTRUDE TITE, M4X10 PN HDPH |
| 005           | 101349         | SCREW, C/SUNK #6HD, #8X11AB        |
| 015           | 101462         | SCREW, SAB, 8X1/2 PNHD, ZC         |
| 101           | 101463         | BUMPER, WRAPPER TOP                |
| 102           | 101464         | TRIM, CABINET TOP, STAINLESS       |
| 103           | 101465         | TRIM, CABINET SIDE, STAINLESS, LH  |
| 104           | 101466         | TRIM, CABINET SIDE, STAINLESS, RH  |
| 105           | 101467         | EXTRUSION, SIDE TRIM               |
| 108           | 101468         | PANEL, BACK                        |
| 109           | 101469         | CLIP, BACK PANEL                   |



## RACKS

## SECTION 6 - PARTS BREAKDOWN

### Racks

| Pos. # | Dacor # | Description                         |
|--------|---------|-------------------------------------|
| 334    | 101453  | SPRAY ARM, UPPER ASSY.              |
| 335    | 101454  | TUBE, SPRAY ARM, UPPER              |
| 500    | 101470  | RACK, UPPER ASSEMBLY, COMPLETE      |
| 501    | 101471  | ROLLER, EASY LIFT ASSY., LH         |
| 502    | 101472  | HANDLE, FRONT, INTERIOR             |
| 503    | 101473  | HANDLE, FRONT, EXTERIOR             |
| 504    | 101474  | BUMPER, DOOR                        |
| 505    | 101475  | BASKET, SILVERWARE ASSY             |
| 508    | 101476  | RACK, LOWER ASSEMBLY, COMPLETE      |
| 509    | 101477  | ROLLER ASSEMBLY, LOWER RACK         |
| 510    | 101478  | FENCE, FOLD DOWN, FRONT, LOWER RACK |
| 511    | 101479  | FENCE, FOLD DOWN, REAR, LOWER RACK  |
| 512    | 101480  | RACK, CUP, HINGED                   |
| 513    | 101481  | CLIP, CUP RACK                      |
| 514    | 101482  | ROLLER, EASY LIFT ASSY., RH         |
| 515    | 101483  | FENCE, FOLD DOWN, UPPER RACK        |
| 516    | 101484  | BASKET, UTENSIL                     |

# DACOR BUILT-IN DISHWASHER SERVICE MANUAL

## Electrical Diagram

