

The Dacor logo is rendered in a bold, italicized, sans-serif font with a metallic, three-dimensional appearance. The letters are dark with a lighter, reflective highlight on the top and left sides, giving it a sleek, modern look. A registered trademark symbol (®) is located to the right of the logo.

The Life of the Kitchen.®

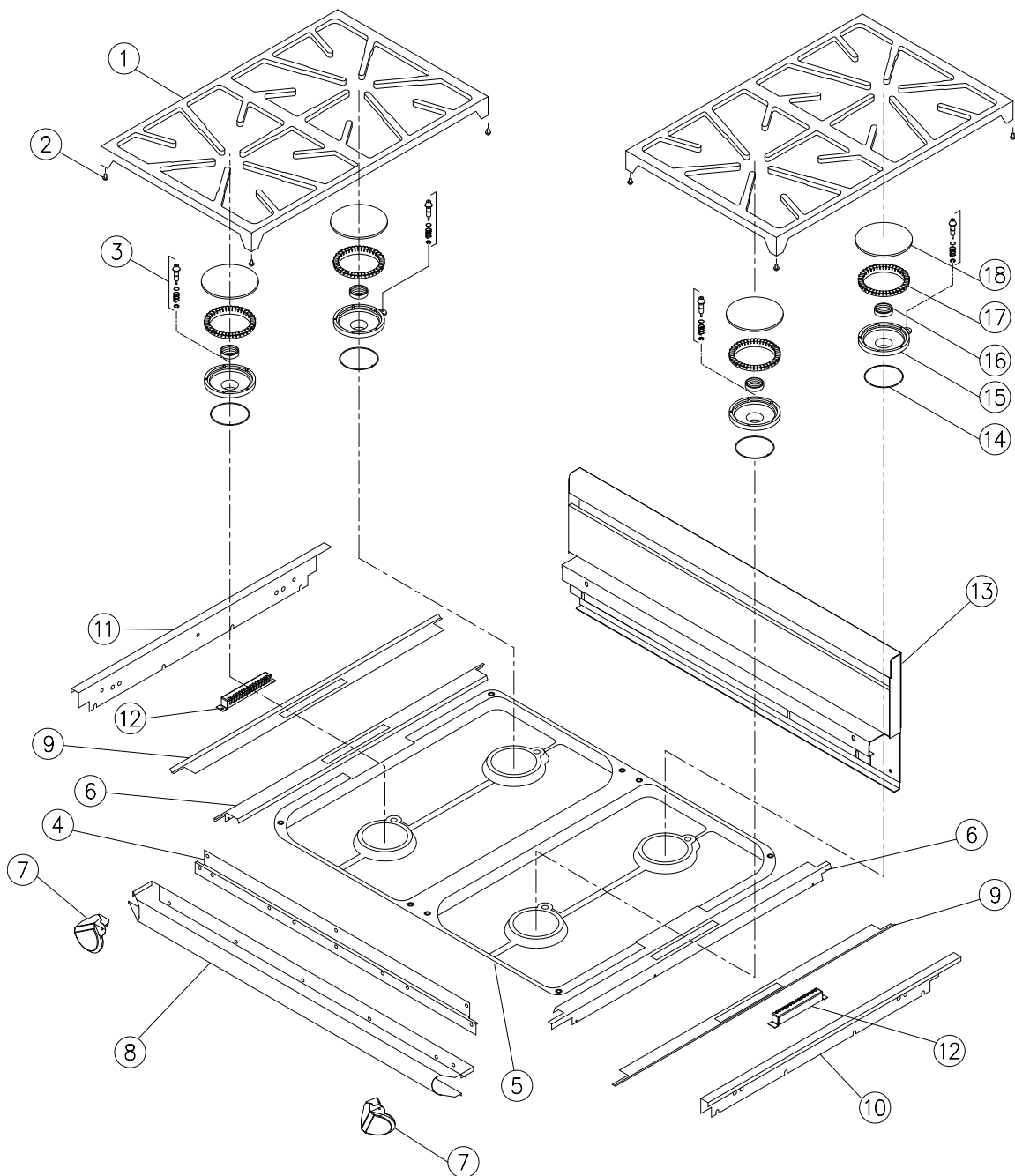
A photograph of a white Dacor range with a stainless steel cooktop. The cooktop features four burners and a central griddle. A white bowl sits on the cooktop. The range is set in a kitchen environment with various items on the counter, including a bottle of oil and a bowl of fruit. The background is slightly blurred, focusing attention on the range.

# PARTS CATALOG

## ERD30S06

<b>Page #</b>	<b>Sheet Title</b>
<b>1</b>	<b>Top Frame Assembly</b>
<b>2</b>	<b>Tubing Assembly</b>
<b>4</b>	<b>Manifold Assembly</b>
<b>5</b>	<b>Control Panel Assembly</b>
<b>6</b>	<b>Sub-Chassis Assembly</b>
<b>7</b>	<b>Cell Assembly</b>
<b>8</b>	<b>Door Assembly</b>
<b>9</b>	<b>Base Assembly</b>

# ERD30 Top Frame Assembly

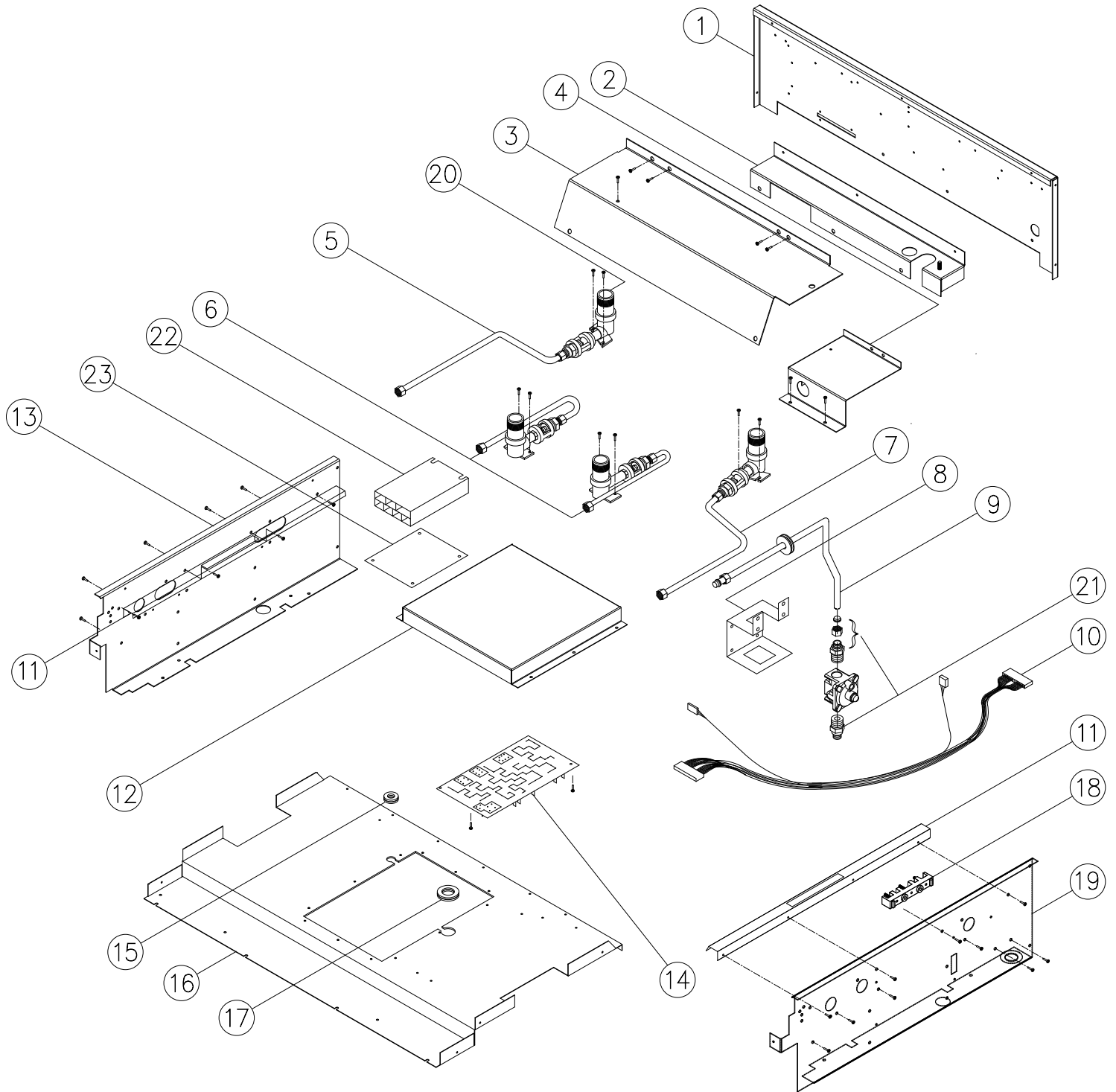


Ref #	Part #	Description
1	72434SB*	Grate Pack, 14"*
2	66916	Grate Support Pad
3	76482-001	Asy, Igniter Kit, Single
4	36529B	Support, Spill Tray, Front
5	36244BP	Spill Tray
6	36245	Angle, Side Support, RH
7	62712BK/BR/CH/CP	End Cap, Bullnose
8	36530	Bullnose
9	36528BP	Angle, Spill Tray Support

Ref #	Part #	Description
10	26791	Trim, Side Top, RH
11	26831	Trim, Side Top, LH
12	36479BP	Vent Cap, Blk
13	13468	Asy, Backsplash, 6"
14	86395	O-Ring, 'D' Burner
15	62954	Asy, 'D' Burner Head
16	86405	Brass Nut
17	82564	Burner Ring, 'D' Burner
18	72435SB	'D' Burner Cap

\*Order as Kit, 72434SB (Click note for details)

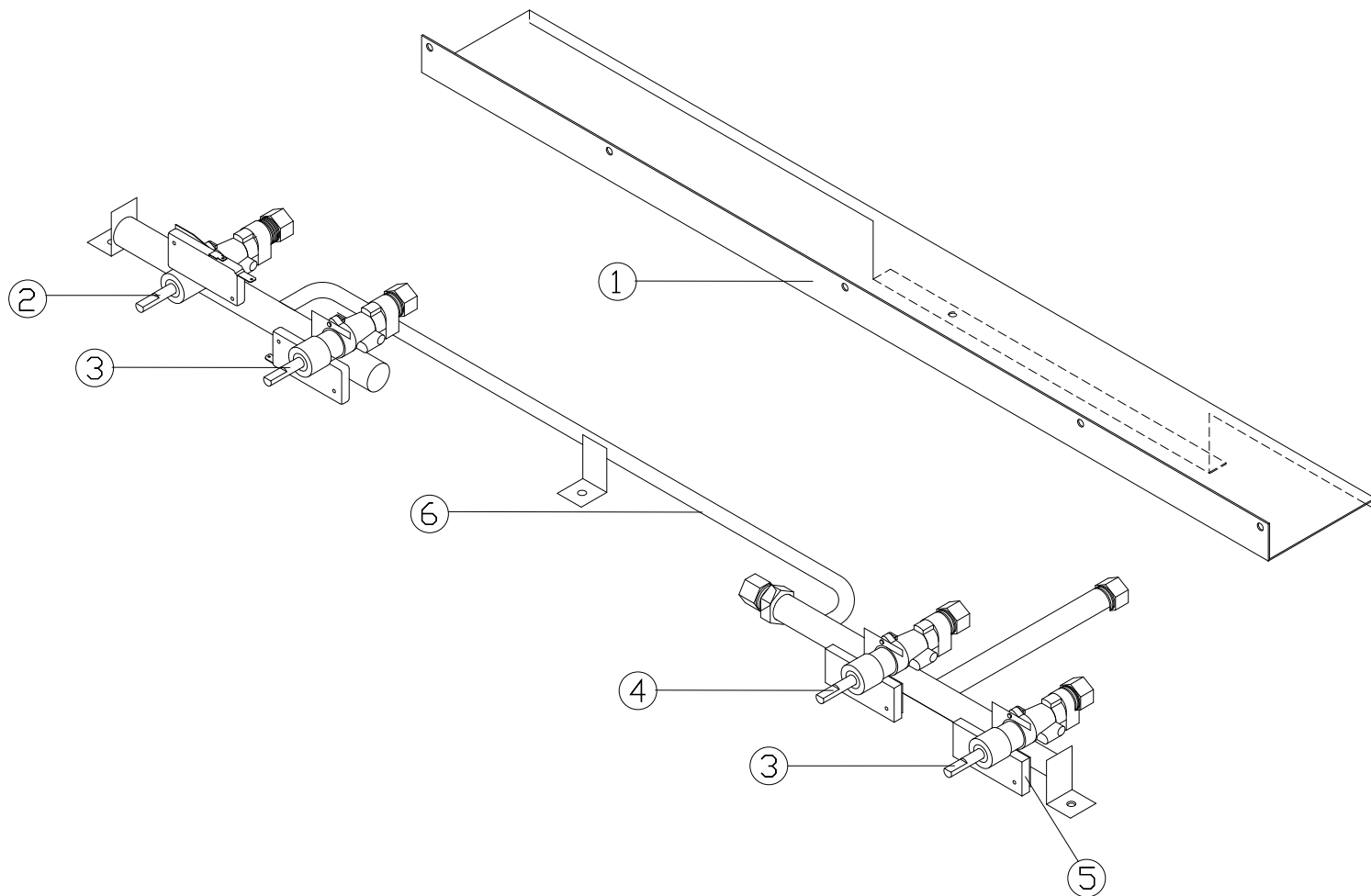
# ERD30 Tubing Assembly



# ERD30 Tubing Assembly Parts

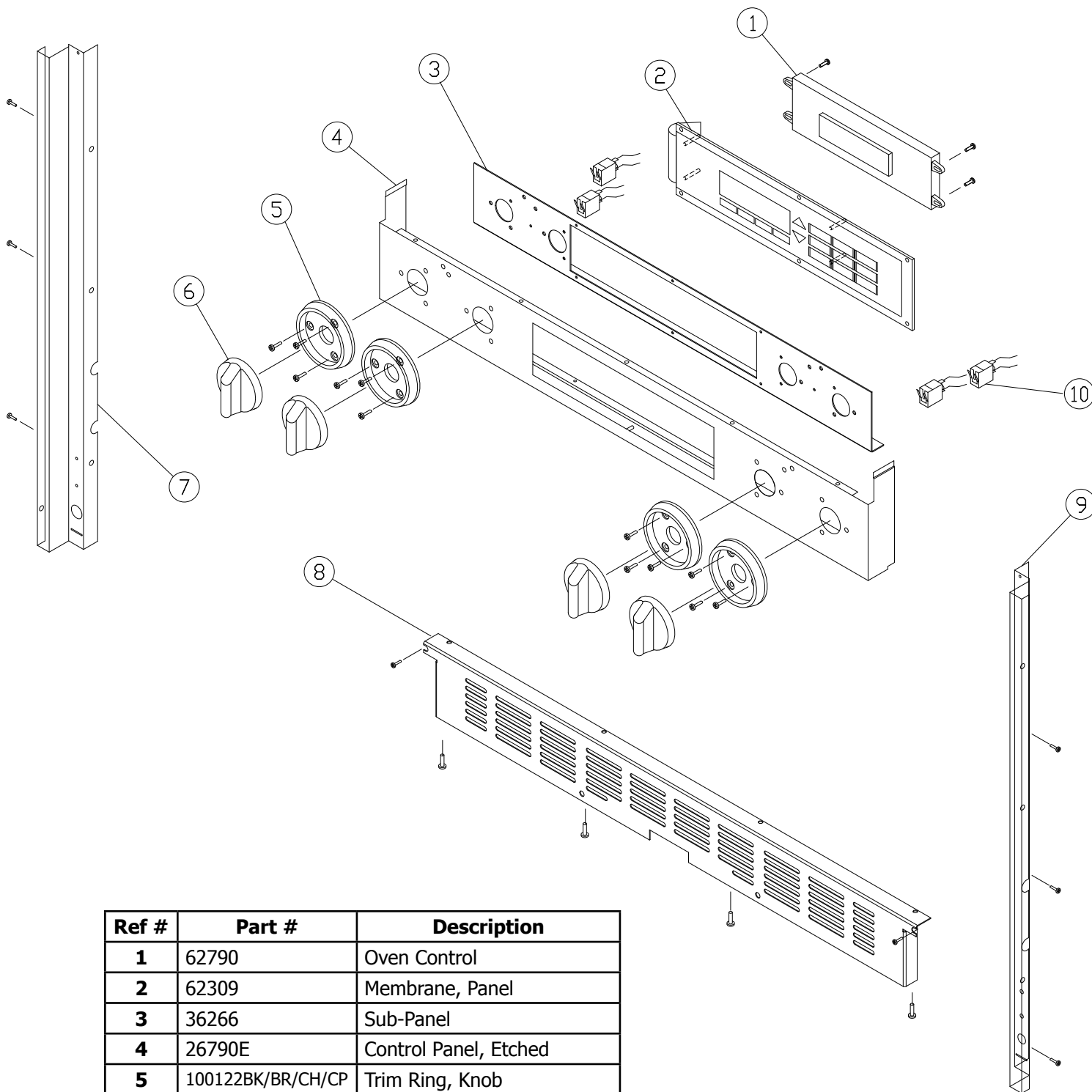
Ref #	NG Part #	LP Part #	NGH Part #	LPH Part #	Description
<b>1</b>	36496	36496	36496	36496	Rear Panel
<b>2</b>	27646	27646	27646	27646	Asy, Air Baffle
<b>3</b>	36415	36415	36415	36415	Back Cover, Chassis
<b>4</b>	36474	36474	36474	36474	Chassis Box
<b>5</b>	62644	62415	62673	62423	Burner Tube #1
<b>6</b>	62645	62416	62674	62424	Burner Tube #2
<b>7</b>	62646	62418	62675	62426	Burner Tube #4
<b>8</b>	36263	36263	36263	36263	Bracket, Regulator
<b>9</b>	62663	62663	62663	62663	5/8" Inlet Tubing
<b>10</b>	72004	72004	72004	72004	Wire Hanress
<b>11</b>	36245	36245	36245	36245	Angle-Side Support, Right
<b>12</b>	36515	36515	36515	36515	PCB & Module Cover
<b>13</b>	36504	36504	36504	36504	Side Support, Left
<b>14</b>	92028	92028	92028	92028	Relay PCB
<b>15</b>	83278	83278	83278	83278	Grommet, Thermovalve
<b>16</b>	36516	36516	36516	36516	Chassis
<b>17</b>	83058	83058	83058	83058	Grommet, EPDM Rubber
<b>18</b>	82151	82151	82151	82151	Terminal Block
<b>19</b>	27687	27687	27687	27687	Asy, Side Support, Right
<b>20</b>	62325	62325	62325	62325	Base, Burner w/ Tube
<b>21</b>	13391	13391	13391	13391	Asy, Regulator
<b>22</b>	86526	86526	86526	86526	Spark Module, 4 Point
<b>23</b>	36514	36514	36514	36514	PCB & Module MTG Plate
-	62808	62808	62808	62808	Transformer Halogen Light (Not Shown)

# ERD30 Manifold Assembly



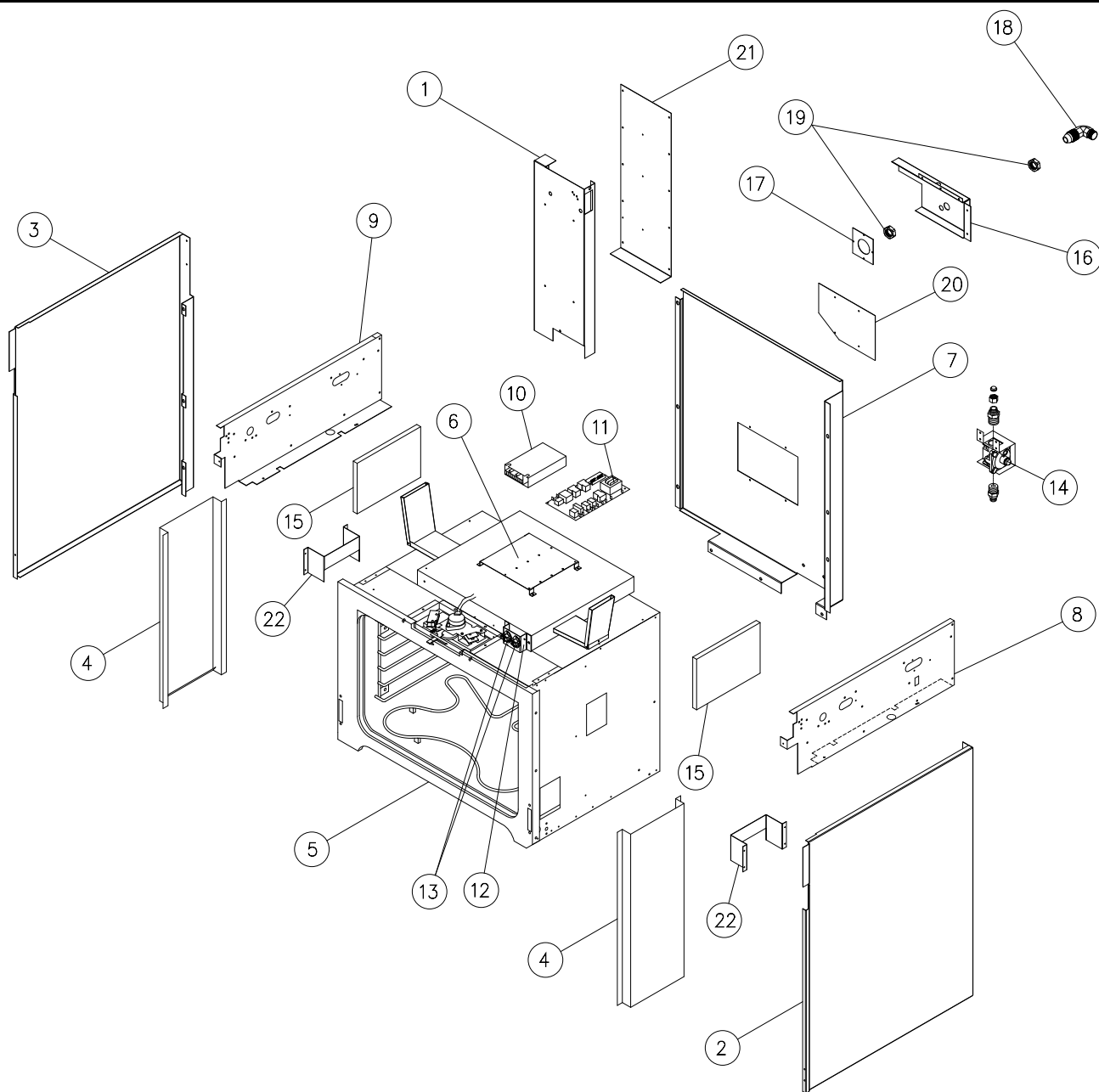
Ref #	NG Part #	LP Part #	NGH Part #	LPH Part #	Description
1	36147	36147	36147	36147	Heat Shield, Manifold
2	86961	86558	86965	86564	Valve #1
3	86962	86560	86966	86566	Valve #2
4	86963	86559	86967	86565	Valve #3
5	86425	86425	86425	86425	Spacer, Microswitch
6	62671	62497	62672	62495	Asy, Manifold w/ Valves

# ERD30 Control Panel Assembly



Ref #	Part #	Description
1	62790	Oven Control
2	62309	Membrane, Panel
3	36266	Sub-Panel
4	26790E	Control Panel, Etched
5	100122BK/BR/CH/CP	Trim Ring, Knob
6	62021B	Knob, Epicure
7	26798	Trim Post, Left
8	36257	Bezel Trim
9	26799	Trim Post, Right
10	82086	Indicator Light, Blue

# ERD30 Sub-Chassis Assembly

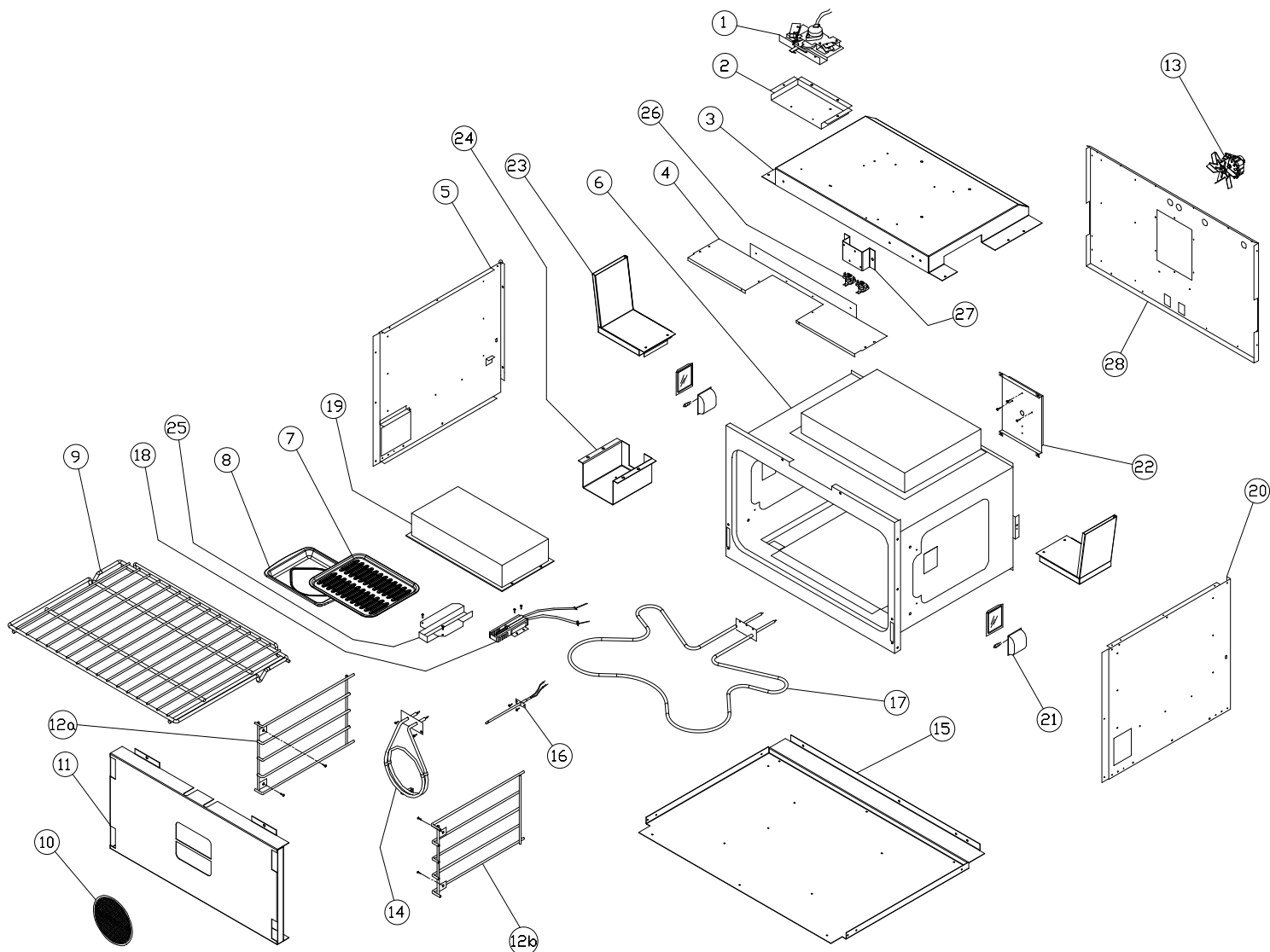


Ref #	Part #	Description
1	36517	Exhaust Duct
2	36253	Side Panel, Right
3	36252	Side Panel, Left
4	36255	Cover, Halogen Light
5	12423	Asy, Oven Case
6	36514	PCB & Module MTG. Plate
7	36425	Back Cover
8	27687	Side Support, Right
9	36504	Side Support, Left
10	86526	Spark Module
11	92028	Relay PCB

Ref #	Part #	Description
12	36275	Spacer, Hi-Limits
13	82987	Thermal Switch, Hi-Temp
14	13391	Asy, Regulator
15	80096	Insulation, Vent Riser
16	36518	Primary Air Box
17	36553	Orifice Alignment Plate
18	72005	Asy, IR Orifice Fitting, NG
18	72002	Asy, IR Orifice Fitting, LP
19	83440	Locknut, 3/4"
20	36912	Back Cover Plate
21	36408	Cover, Rear Air Duct
22	36259	Shield, Vent Riser
-	82347	Cooling Fan (Not Shown)



# ERD30 Cell Assembly

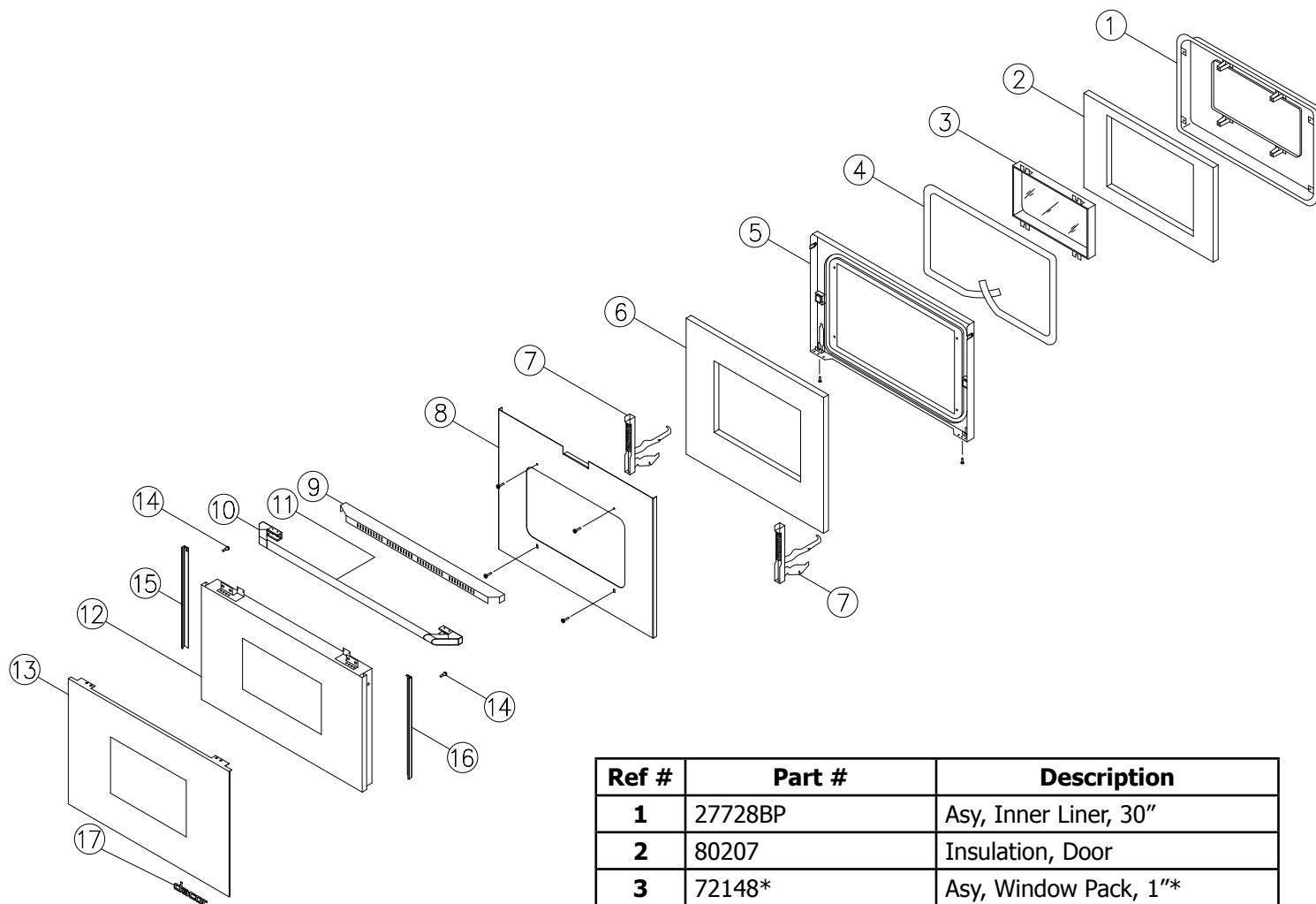


Ref #	Part #	Description
<b>1</b>	86166	Asy, Door Latch
<b>2</b>	26598	Latch Plate
<b>3</b>	36242	Case Top, Rear
<b>4</b>	36241	Case Top, Front
<b>5</b>	27575	Asy, Case Side, Left
<b>6</b>	27572BP	Asy, Oven Cell
<b>7</b>	82106	Porcelain Grill
<b>8</b>	82107	Porcelain Pan
<b>9</b>	62139	Oven Racks, 30"
<b>10</b>	82891	Filter-Convection Oven
<b>11</b>	36816BP	Convection Baffle
<b>12a</b>	62747	Rack Support, Left
<b>12b</b>	62748	Rack Support, Right
<b>13</b>	62101	Asy, Convection Fan
<b>14</b>	82377	Convection Element, 240v

Ref #	Part #	Description
<b>15</b>	26633	Case Bottom
<b>16</b>	62593	Temperature Sensor
<b>17</b>	62628	Bake Element
<b>18</b>	82473	Hot Surface Igniter
<b>19</b>	12422	Asy, Infrared Burner
<b>20</b>	27574	Asy, Case Side, Right
<b>21</b>	86573	Halogen Blub, 10w
<b>22</b>	36280	Convection Motor MTG Plate
<b>23</b>	27581	Asy, Duct Vent Horizontal
<b>24</b>	36320BP	Shield, Venturi
<b>25</b>	66629	Igniter Shield
<b>26</b>	82987	Thermal Switch, Hi-Temp
<b>27</b>	36275	Spacer, Hi-Limits
<b>28</b>	36243	Case Back
-	62176	Halogen Light, 5w (Not Shown)

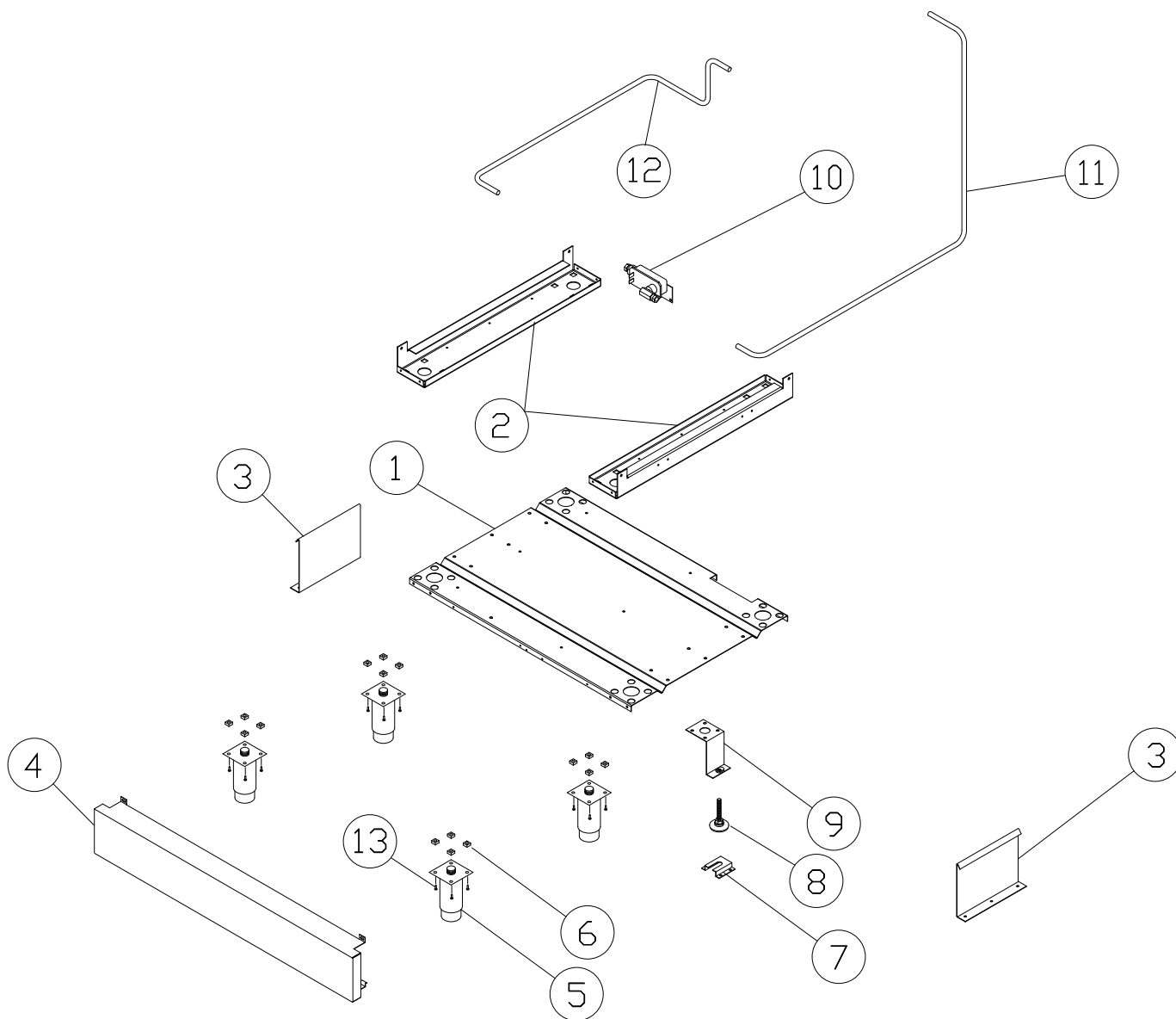


# ERD30 Door Assembly



Ref #	Part #	Description
1	27728BP	Asy, Inner Liner, 30"
2	80207	Insulation, Door
3	72148*	Asy, Window Pack, 1"*
4	72020	Door Gasket
5	86746	Asy, Door Liner, 30"
6	80213	Insulation, Outer Liner
7	701035**	Hinge Kit**
8	36956B	Heat Shield, 30"
9	36385B	Door Vent
10	62691BK/BR/CH/CP	End Cap
11	13407SBK/SBR/SCH/SCP	Asy, Handle, Door
12	27613B	Asy, Door Frame
13	66092***	Asy, Door Skin, Service***
14	83618	Rubber Bumper
15	26370	Trim, Door Edge, Left
16	26371	Trim, Door Edge, Right
17	72511BR/CH/CP	Dacor Logo, Small
<b>*Order P/N 72148 for models built After S/N FG13220823, Order P/N 12470 for models built Before S/N FG13220823.</b>		
<b>**Order as Kit, 701035 (Click note for details)</b>		
<b>***Order as Kit, 66092 (Click note for details)</b>		

# ERD30 Base Assembly



Ref #	Part #	Description
1	36410	Base, Tray
2	36405	Oven Support
3	36268	Bracket, Pallet
4	26801	Kick Panel
5	700000	Leg, 1/2"
6	83398	Nut, Retainer, #1/4-20
7	26041	Bracket, Anti-Tip
8	106440	Leveler, Adjustable
9	27274	Asy, Anti-Tip Bracket
10	62317	Valve, Thermal Single
11	62666	Tube, Outlet 3/8"
12	62665	Tube, Inlet 3/8"
13	83397	Screw, Cap, 1/4-20 x 5/8"