

The Dacor logo is rendered in a bold, italicized, sans-serif font with a metallic, 3D effect. The letters are dark with a lighter, reflective highlight on the top and left sides, giving it a sleek, modern appearance. A registered trademark symbol (®) is located to the right of the logo.

The Life of the Kitchen.®

A faded background image of a Dacor ERD60 range. The range is a white, freestanding unit with a stainless steel cooktop. It features four burners, a central griddle, and a control panel with several knobs. A white bowl sits on the cooktop. The range is set in a kitchen environment with various items on the counter and a window in the background.

# PARTS CATALOG

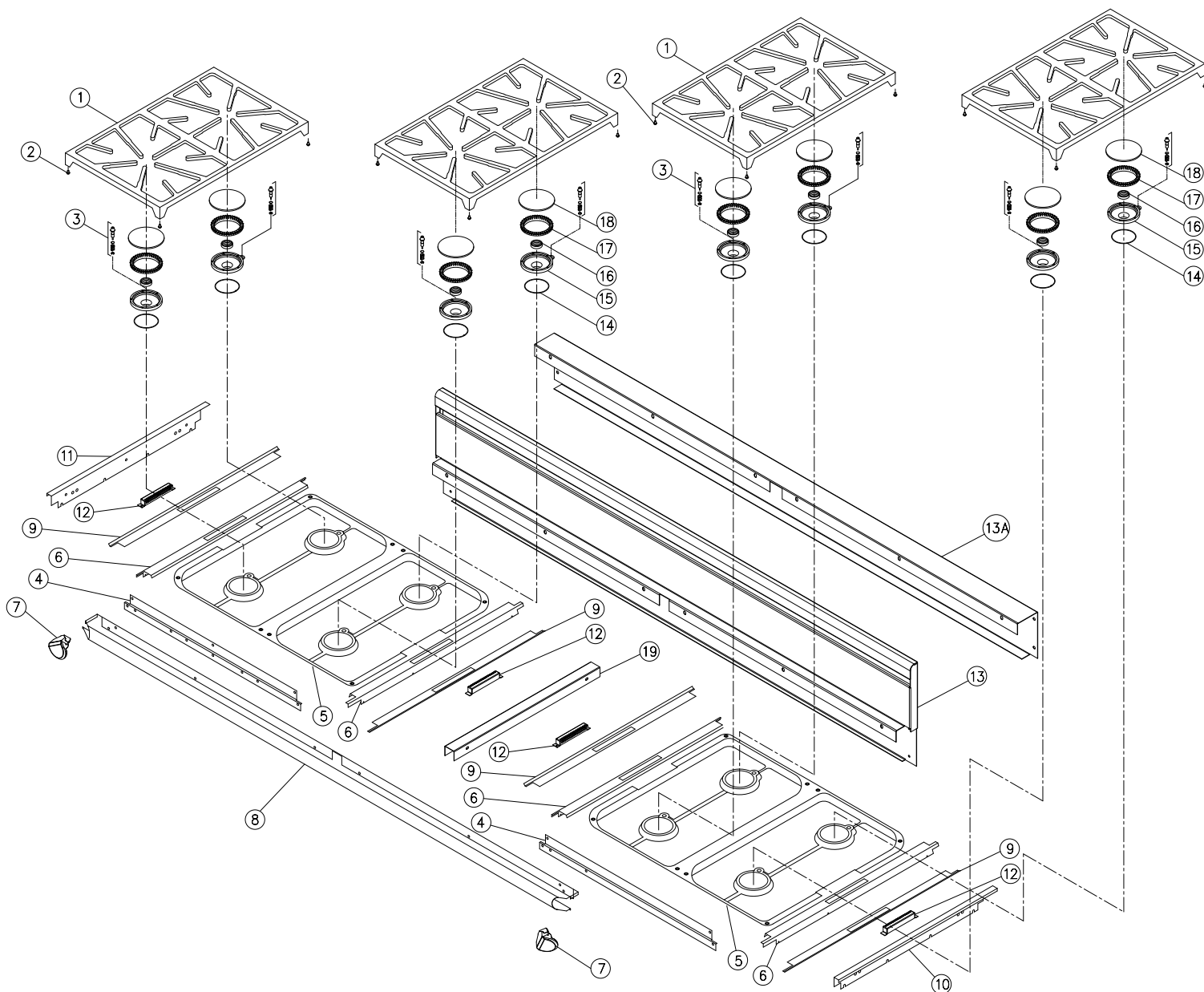
## ERD60

<b>Page #</b>	<b>Sheet Title</b>
<b>1</b>	<b>Top Frame Assembly</b>
<b>2</b>	<b>Top Section Assembly</b>
<b>3</b>	<b>Manifold Assembly</b>
<b>4</b>	<b>Control Panel Assembly</b>
<b>5</b>	<b>Sub-Chassis Assembly</b>
<b>6</b>	<b>Cell Assembly</b>
<b>7</b>	<b>Cell Components</b>
<b>8</b>	<b>Door Assembly</b>
<b>9</b>	<b>Base Assembly</b>

Revised 08-27-2009

Technical Service | 1440 Bridgegate Drive | Diamond Bar, CA 91765 | PH 800-353-2267 | FAX 909-612-1702

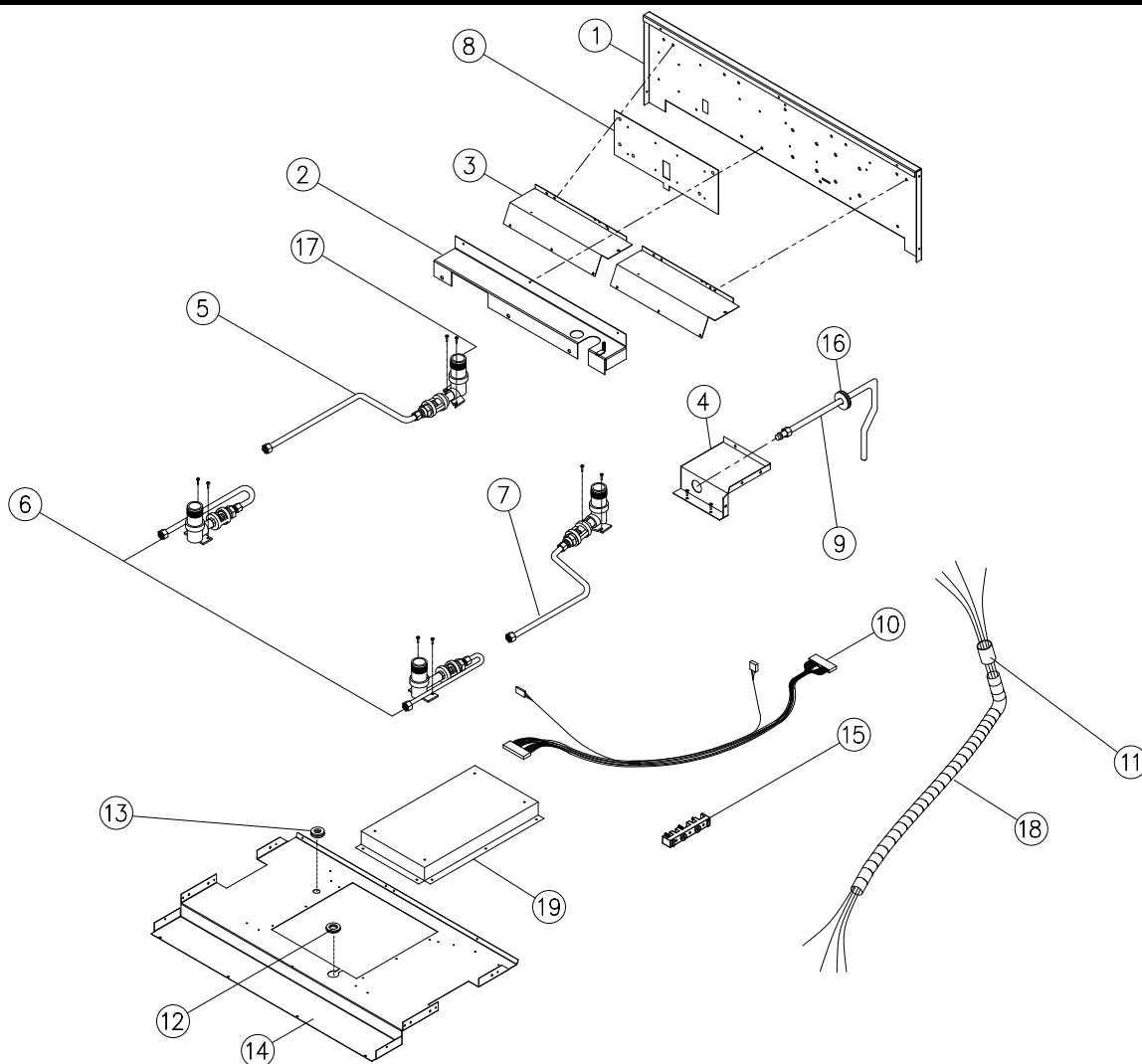
# ERD60 Top Frame Assembly



Ref #	Part #	Description
<b>1</b>	72434SB	Grate Pack, 14"
<b>2</b>	66916	Set, Grate Support Pad
<b>3</b>	76482-001	Asy, Igniter Kit, Single
<b>4</b>	36529B	Spill Tray Support, Front
<b>5</b>	36244BP	Spill Tray
<b>6</b>	36245	Side Support, Right
<b>7</b>	62712BK/BR/CH/CP	End Cap
<b>8</b>	13619SBK/SBR/SCH/SCP	Asy, Bullnose w/ End Caps
<b>9</b>	36528BP	Spill Tray Support
<b>10</b>	36958	Trim, Side Top, Right

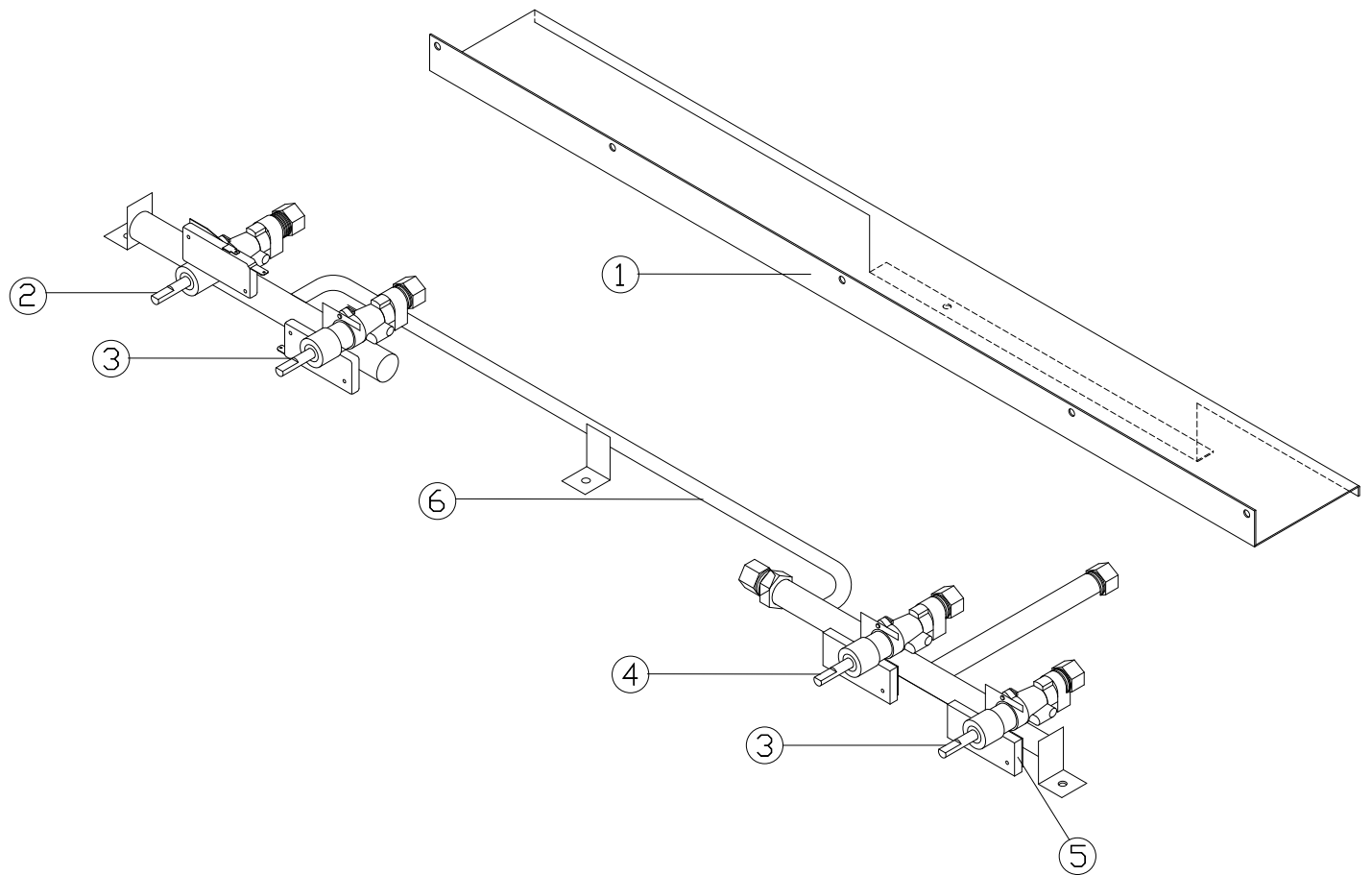
Ref #	Part #	Description
<b>11</b>	36957	Trim, Side Top, Left
<b>12</b>	36479BP	Vent Cap
<b>13</b>	27825	Backsplash, 6"
<b>13A</b>	36963	Rear Island Trim
<b>14</b>	86395	O-Ring, "D" Burner
<b>15</b>	62954-001	"D" Burner Head
<b>16</b>	86405	Brass Nut
<b>17</b>	82564	"D" Burner Ring
<b>18</b>	72435SB	"D" Burner Cap
<b>19</b>	36961	Trim, Middle-Top

# ERD60 Top Section



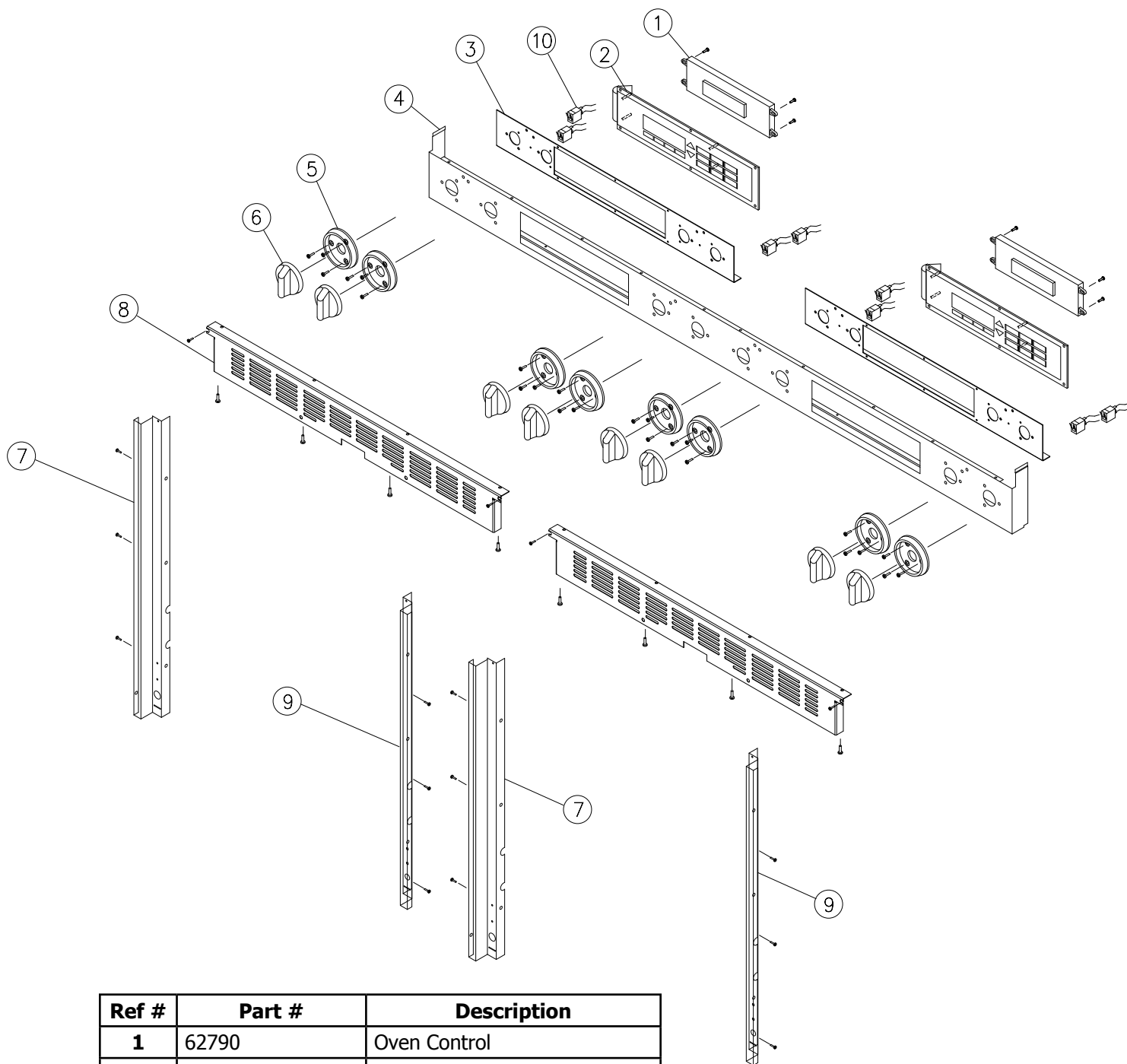
Ref #	NG Part #	LP Part #	NGH Part #	LPH Part #	Description
1	36496	36496	36496	36496	Rear Panel
2	27646	27646	27646	27646	Asy, Air Baffle
3	36415	36415	36415	36415	Back Cover, Chassis
4	36474	36474	36474	36474	Chassis Box
5	62644	62415	62673	62423	Burner Tube #1
6	62645	62416	62674	62424	Burner Tube #2 & 3
7	62646	62418	62675	62426	Burner Tube #4
8	36431	36431	36431	36431	Cooling Fan Bracket
9	62663	62663	62663	62663	Gas Inlet Tubing, 5/8"
10	72004	72004	72004	72004	Wire Harness
11	83059	83059	83059	83059	Connector, 1/2" Flex, Straight
12	83058	83058	83058	83058	Grommet Seal
13	83278	83278	83278	83278	Igniter Wires Seal
14	36516	36516	36516	36516	Chassis
15	82151	82151	82151	82151	Terminal Block
16	83058	83058	83058	83058	Grommet, EPDM Rubber
17	62325	62325	62325	62325	Burner Base
18	26420	26420	26420	26420	Conduit, 1/2" Flex, Cut 60
19	36515	36515	36515	36515	Chassis Plate Cover

# ERD60 Manifold Assembly



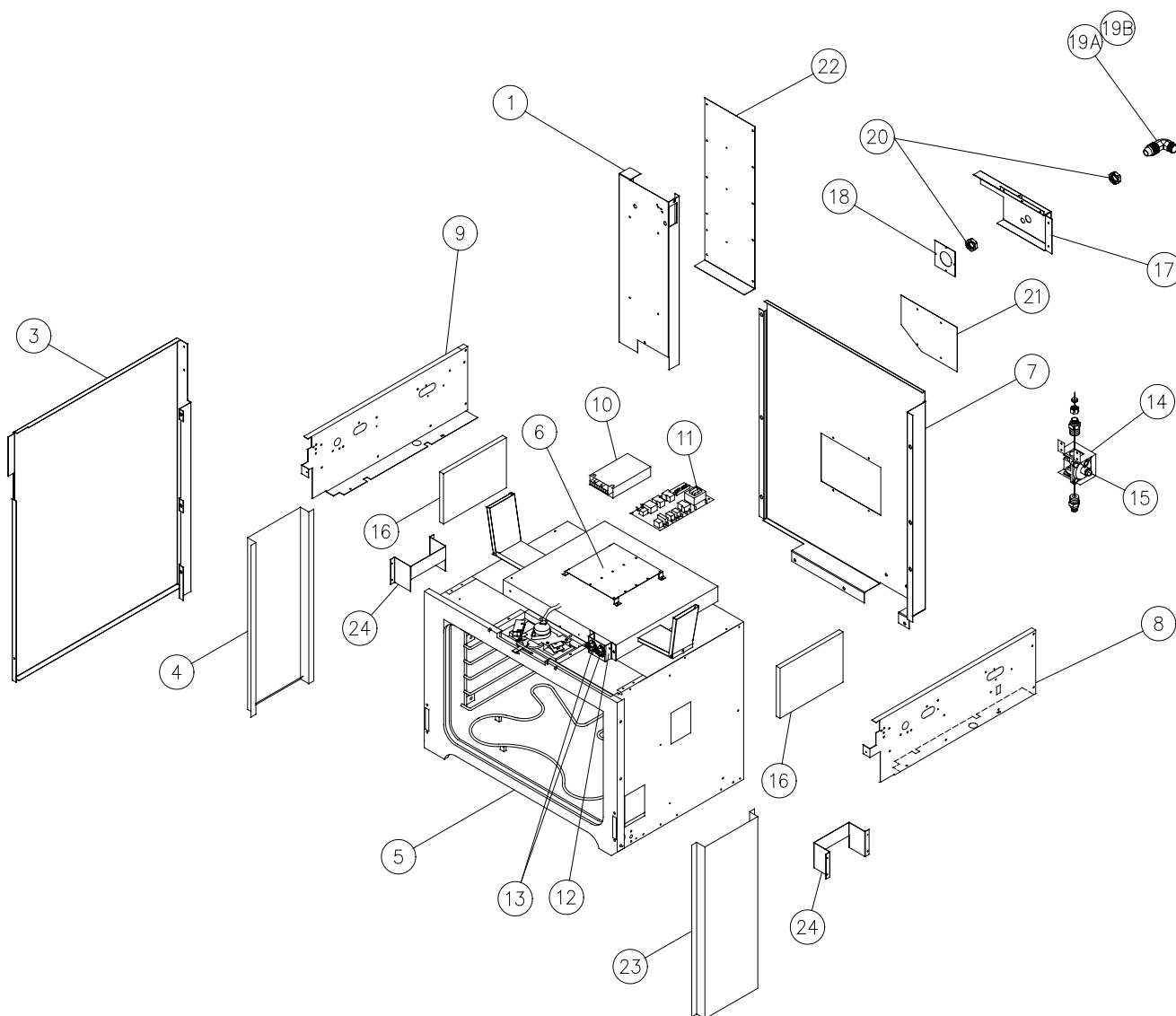
Ref #	NG Part #	LP Part #	NGH Part #	LPH Part #	Description
1	36147	36147	36147	36147	Heat Shield, Manifold
2	86961	86558	86965	86564	"D" Valve
3	86962	86560	86966	86566	"D" Valve
4	86963	86559	86967	86565	"D" Valve
5	86425	86425	86425	86425	Microswitch
6	62671	62497	62672	62495	Asy, Manifold w/ Valves, Complete

# ERD60 Control Panel Assembly



Ref #	Part #	Description
1	62790	Oven Control
2	62309	Membrane, Panel
3	36266	Sub Panel
4	36969E	Control Panel, Etched
5	100122BC/BR/CH/CP	Trim Ring, Knob
6	62021B	Knob, Epicure
7	26798	Trim Post, Left
8	36257	Bezel Trim
9	26799	Trim Post, Right
10	82086	Indicator Light, Blue Neon

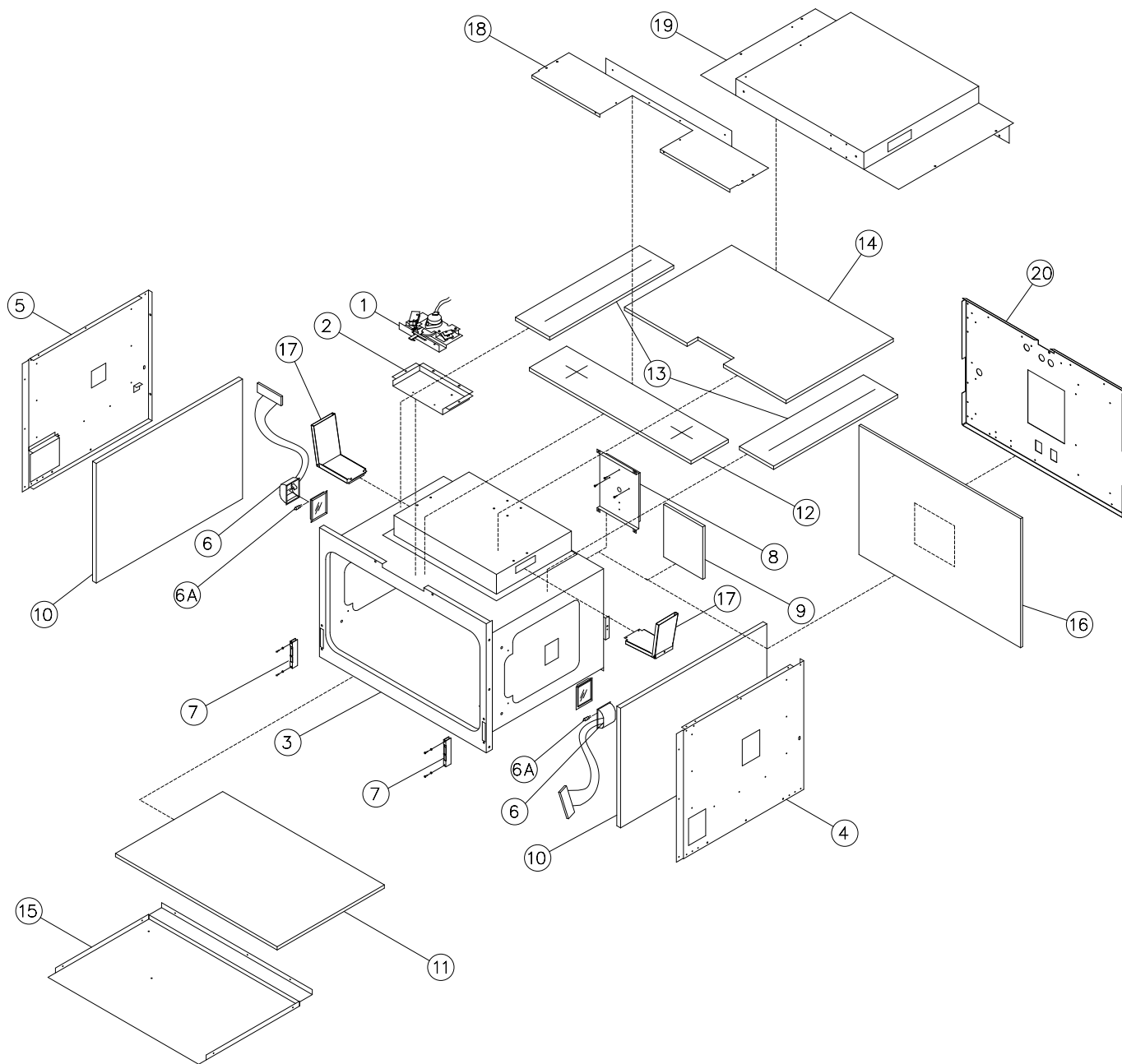
# ERD60 Sub Chassis Assembly



Ref #	Part #	Description
<b>1</b>	36517	Exhaust Duct
<b>2</b>	36253	Side Panel, Right
<b>3</b>	36252	Side Panel, Left
<b>4</b>	36255	Halogen Light Cover
<b>5</b>	N/A	Asy, Oven Cell
<b>6</b>	36514	PCB & Module Mounting Plate
<b>7</b>	36425	Back Cover
<b>8</b>	27687	Asy, Side Support, Right
<b>9</b>	36504	Asy, Side Support, Left
<b>10</b>	86526	Spark Module
<b>11</b>	92028	Relay PCB
<b>12</b>	36275	Spacer, Hi-Limits

<b>13</b>	82987	Hi-Temp, Thermal Switch
<b>14</b>	36263	Regulator Bracket
<b>15</b>	13391	Asy, Regulator
<b>16</b>	80096	Insulation, Vent Riser
<b>17</b>	36518	Primary Air Box
<b>18</b>	36553	Orifice Alignment Plate
<b>19A</b>	72005	Asy, IR Orifice NG
<b>19B</b>	72002	Asy, IR Orifice LP
<b>20</b>	83440	Locknut, 3/8"
<b>21</b>	36912	Back Cover Plate
<b>22</b>	36408	Rear Air Duct Cover
<b>23</b>	36944	Middle Light Cover
<b>24</b>	36259	Vent Riser Shield
-	82347	Cooling Fan (Not Shown)

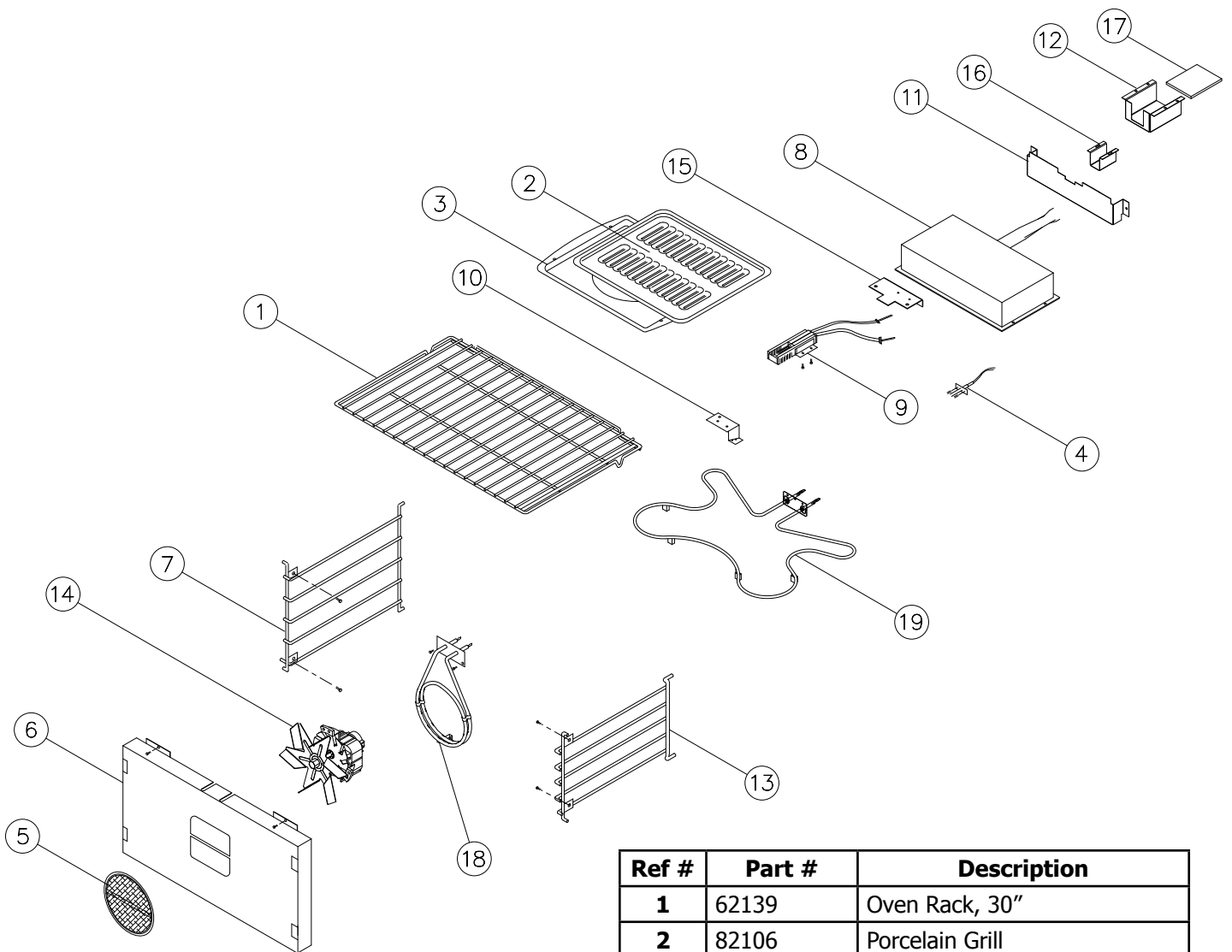
# ERD60 Cell Assembly



Ref #	Part #	Description
<b>1</b>	82834	Door Latch Mechanism
<b>2</b>	26598	Latch Plate
<b>3</b>	N/A	Asy, Oven Cell
<b>4</b>	27574	Asy, Case Side, Right
<b>5</b>	27575	Asy, Case Side, Left
<b>6</b>	62175	Asy, Halogen Light 10w
<b>6A</b>	86573	Halogen Bulb, 10w
<b>7</b>	82851	Hinge Receptacle
<b>8</b>	36280	Mtg. Plate, Convection Mtr.
<b>9</b>	80168	Insulation, Convection Mtr.

<b>10</b>	80161	Insulation Cell Side
<b>11</b>	80164	Insulation Cell Bottom
<b>12</b>	80169	Insulation Cell Top-1
<b>13</b>	80180	Insulation Cell Top Side
<b>14</b>	80094	Insulation Cell Top
<b>15</b>	26633	Case Bottom
<b>16</b>	80166	Insulation Cell Back
<b>17</b>	27581	Asy, Duct Vent Horizontal
<b>18</b>	36241	Case Top Front
<b>19</b>	36242	Case Top Rear
<b>20</b>	36243	Case Back

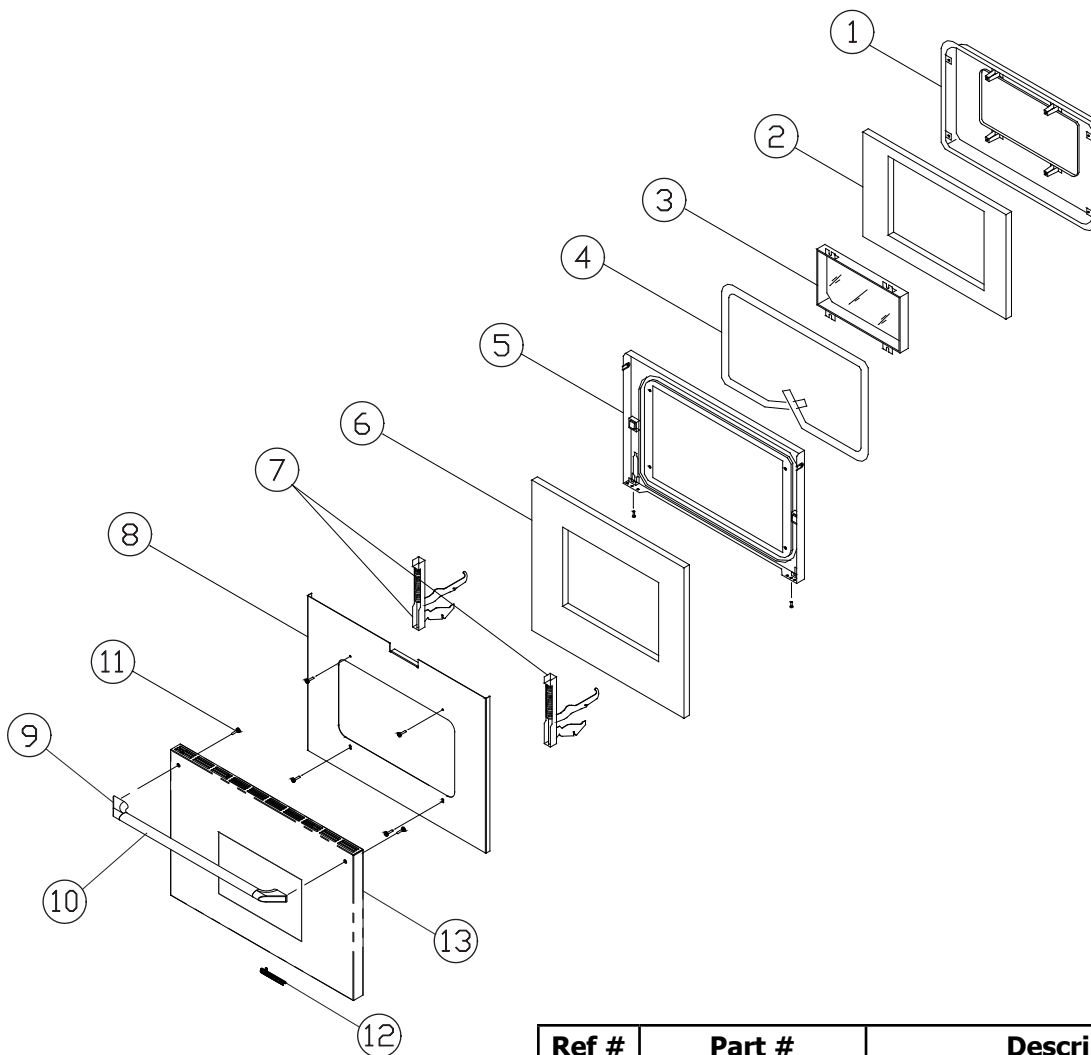
# ERD60 Cell Components



Ref #	Part #	Description
<b>1</b>	62139	Oven Rack, 30"
<b>2</b>	82106	Porcelain Grill
<b>3</b>	82107	Porcelain Pan
<b>4</b>	62593	Temperature Sensor
<b>5</b>	82891	Convection Filter
<b>6</b>	36816BP	Covection Baffle, BP
<b>7</b>	62747	Rack Support, Left
<b>8</b>	12422	Infrared Burner
<b>9</b>	82473	Hot Surface Igniter
<b>10</b>	36286	Igniter Mounting Bracket
<b>11</b>	36352BP	Convection Baffle Top, BP
<b>12</b>	36320BP	Venturi Shield
<b>13</b>	62748	Rack Support, Right
<b>14</b>	62101	Convection Fan
<b>15</b>	36737BP	Igniter Mounting Shield
<b>16</b>	36391BP	Igniter Wires Shield
<b>17</b>	80095	Insulation Venturi
<b>18</b>	82377	Convection Element, 240v
<b>19</b>	62628	Bake Element



# ERD60 Door Assembly

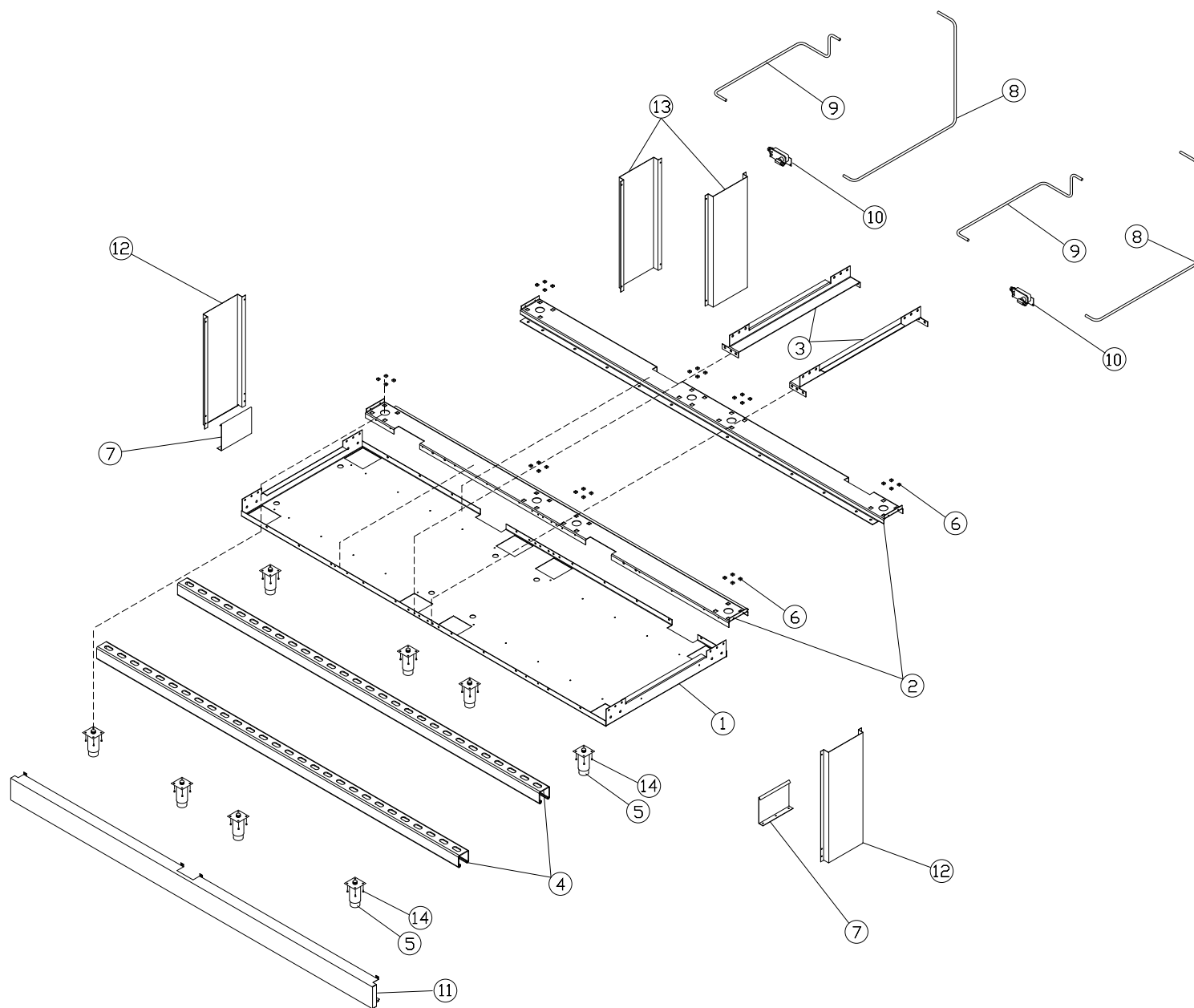


Assembled Door Table	
Part #	Description
12653SBK-LH	Asy, Door, LH, Black
12653SBR-LH	Asy, Door, LH, Brass
12653SCH-LH	Asy, Door, LH, Chrome
12653SCP-LH	Asy, Door, LH, Chopper
12653SBK-RH/L	Asy, Door, RH, Black w/ Logo
12653SBR-RH/L	Asy, Door, RH, Brass w/ Logo
12653SCH-RH/L	Asy, Door, RH, Chrome w/ Logo
12653SCP-RH/L	Asy, Door, RH, Copper w/ Logo

Ref #	Part #	Description
1	27728BP	Asy, Inner Liner
2	80207	Insulation, Door
3	72148*	Asy, Window Pack*
4	72020	Gasket, Door
5	86746	Kit, Door Liner 30"
6	80213	Insulation, Outer Liner
7	701035**	Door Hinges Kit**
8	36956B	Heat Shield, Door 30"
9	92031CH	End Cap, Handle, Inboard
9	92032CH	ENd Cap, Handle, Outboard
10	62209***	Door Handle***
11	83618	Door Bumper
12	72511BR/CH/CP	Dacor Logo, Large
13	See Table	Asy, Door, Right/Left
*Order P/N 72148 for models built After S/N FG13220823, Order P/N 12470 for models built Before S/N FG13220823.		
**Order as Kit, 701035 (Click note for details)		
***Order as Kit, 13764SBK/SBR/SCH/SCP		



# ERD60 Base Assembly



Ref #	Part #	Description
1	36967	Base
2	36966	Leg Support, Base
3	36970	Mid-Support, Base
4	72657	U-Shape Support, Base
5	700000	Leg, 1/2" Epicure
6	83398	Nut, Retainer, #1/4-20
7	36268	Bracket, Pallet
8	62666	3/8 Tube Outlet

Ref #	Part #	Description
9	62665	3/8 Tube Inlet
10	62317	Valve, Thermal, Single
11	36964	Kick Panel
12	36255	Cover, Halogen Light
13	36944	Middle Light Cover
14	83397	Screw, Cap, #1/4-20 x 5/8"
-	13630	Accy, Trim Skirt (Not Shown)
-	66813	Plastic Leg Insert (Not Shown)