



The Life of the Kitchen.®

# PARTS CATALOG

## ERSD48 Range

**IMPORTANT:** This product may have some parts that are **No Longer Available (NLA)**. If the part you need is no longer available, please contact Dacor for a possible solution:

### DACOR CARES PROGRAM NLA Part Locator Service

**Customer Contact Number:**

(800) 793-0093 ex. 2813  
Hours: 6:00 AM - 5:00 PM Pacific Time

**Service Agent/Technician Contact Number:**

(800) 793-0093 ex. 3814  
Hours: 7:00 AM - 4:00 PM Pacific Time

**Web Inquiries:** [www.dacor.com/dacorcares](http://www.dacor.com/dacorcares) **Email Inquiries:** [dacorcares@dacor.com](mailto:dacorcares@dacor.com)

Please provide the following information:

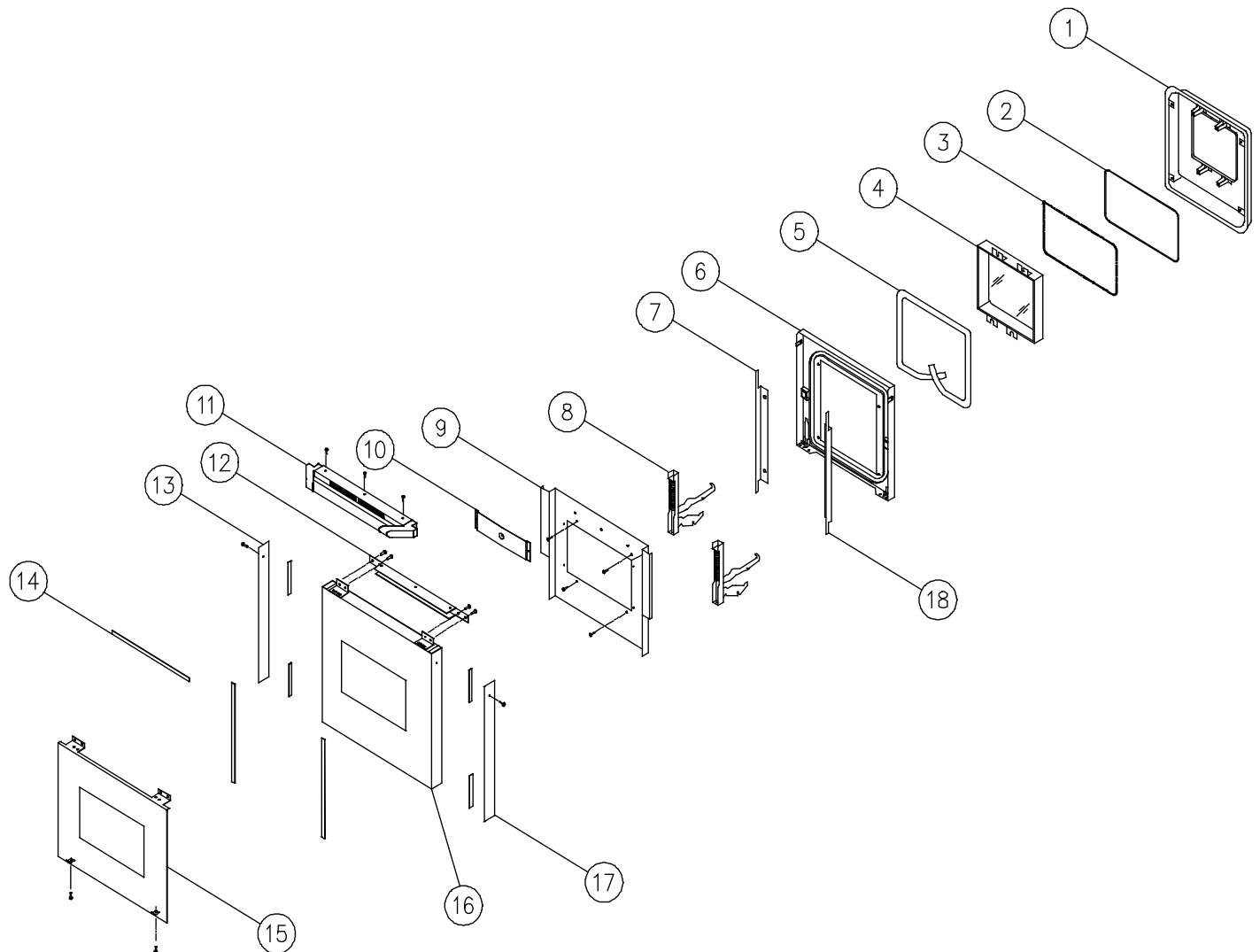
- Your name and phone number
- Product serial number
- Product model number
- The part number(s) you need

Page	Description
2	18 Inch Door
3	36 Inch Door
4	Base
5	Gas Tubing
6	Control Panel
7	18 Inch Oven Cell

Page	Description
8	36 Inch Oven Cell (early)
9	36 Inch Oven Cell (later)
10	Manifold
11	Oven Case
12	Top Frame

Revised 03-02-2012

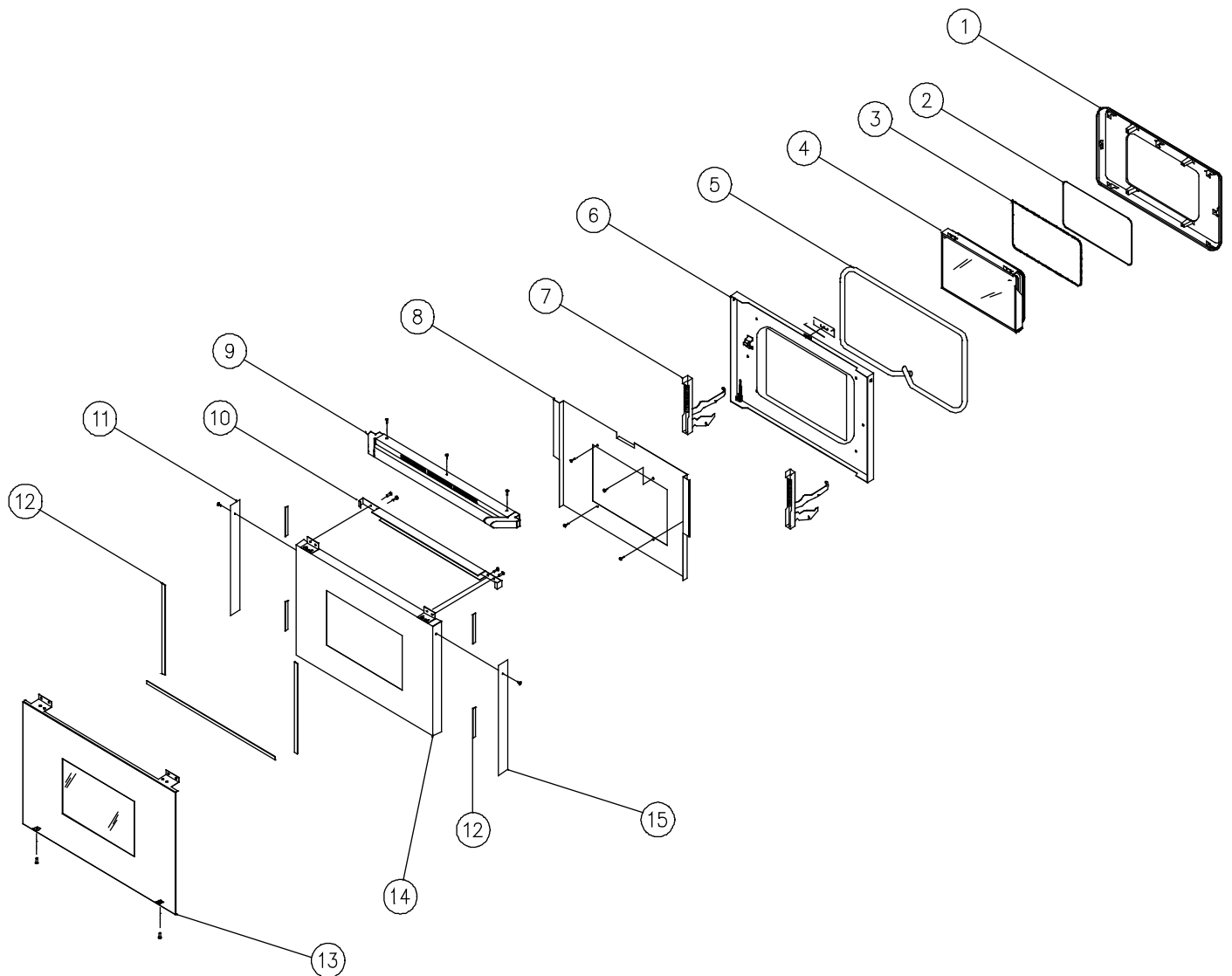
# ERSD48 Range Door Assembly (18-inch)



REF #	PART #	DESCRIPTION	REF #	PART #	DESCRIPTION
1	27337BP	INNER LINER ASSEMBLY	10	26905	HEAT SHIELD, STAINLESS DOOR
2	62228BP	"J" TRIM	11	13138	HANDLE ASSY
3	26805	THERMOCORD, WINDOW PACK	12	26979B	BACKING PANEL
4	13129	WINDOW PACK	13	36002	DOOR TRIM - LEFT
5	62265	DOOR GASKET	14	83573	TAPE - DOUBLE SIDED
6	86740	OUTER LINER ASSEMBLY, 18" DOOR	15	86571	DOOR SKIN ASSEMBLY
7	26571	SIDE SHIELD, DOOR LEFT	16	27326	MOUNTING FRAME ASSEMBLY
8	82883	HINGE	17	36003	DOOR TRIM - RIGHT
9	26904	HEAT SHIELD	18	26576	SIDE SHIELD, DOOR RIGHT

Part no longer available? Contact Dacor: (800) 793-0093 ex. 3814

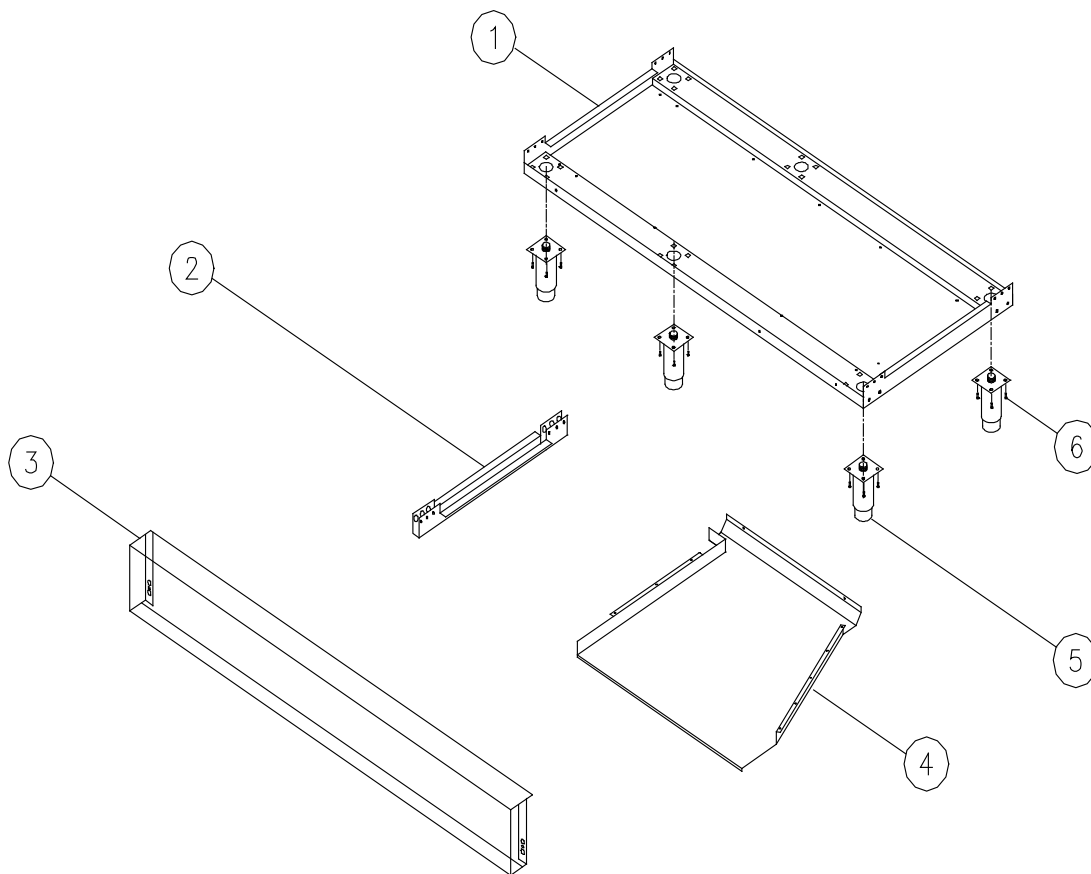
# ERSD48 Range Door Assembly (36-inch)



REF #	PART #	DESCRIPTION	REF #	PART #	DESCRIPTION
1	27349BP	INNER LINER ASSEMBLY	9	13144	HANDLE ASSEMBLY
2	82790	"J" TRIM	10	26970B	BACKING PANEL
3	26429	THERMOCORD WINDOW PACK	11	36002	TRIM - DOOR EDGE, LEFT
4	12470	WINDOW PACK	12	83573	TAPE, DOUBLE SIDED
5	62266	DOOR GASKET	13	86122	DOOR SKIN ASSEMBLY
6	86753	OUTER LINER ASSEMBLY	14	27327B	MOUNTING FRAME ASSEMBLY
7	62436	DOOR HINGE	15	36003	TRIM - DOOR EDGE, RIGHT
8	26908B	HEAT SHIELD			

Part no longer available? Contact Dacor: (800) 793-0093 ex. 3814

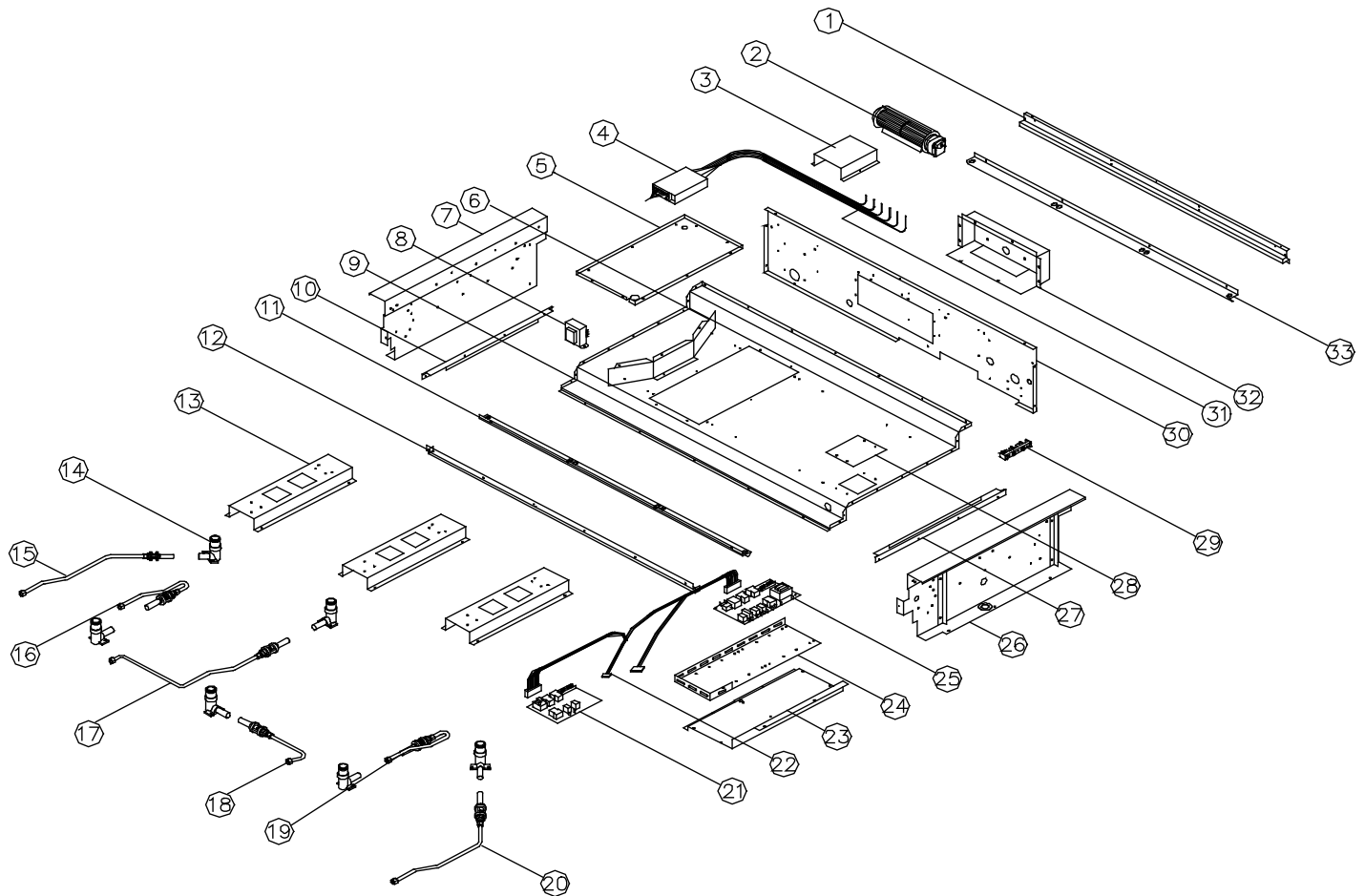
# ERSD48 Range Base Assembly



REF #	PART #	DESCRIPTION
1	13286	BASE ASSEMBLY
2	36066	MIDDLE BASE SUPPORT
3	26895	KICK PANEL
4	27373	EXHAUST DUCT ASSEMBLY
5	62047	LEG
6	83398	BOLT
**	66813	Plastic Leg Insert

Part no longer available? Contact Dacor: (800) 793-0093 ex. 3814

# ERSD48 Range Gas Tubing Assembly



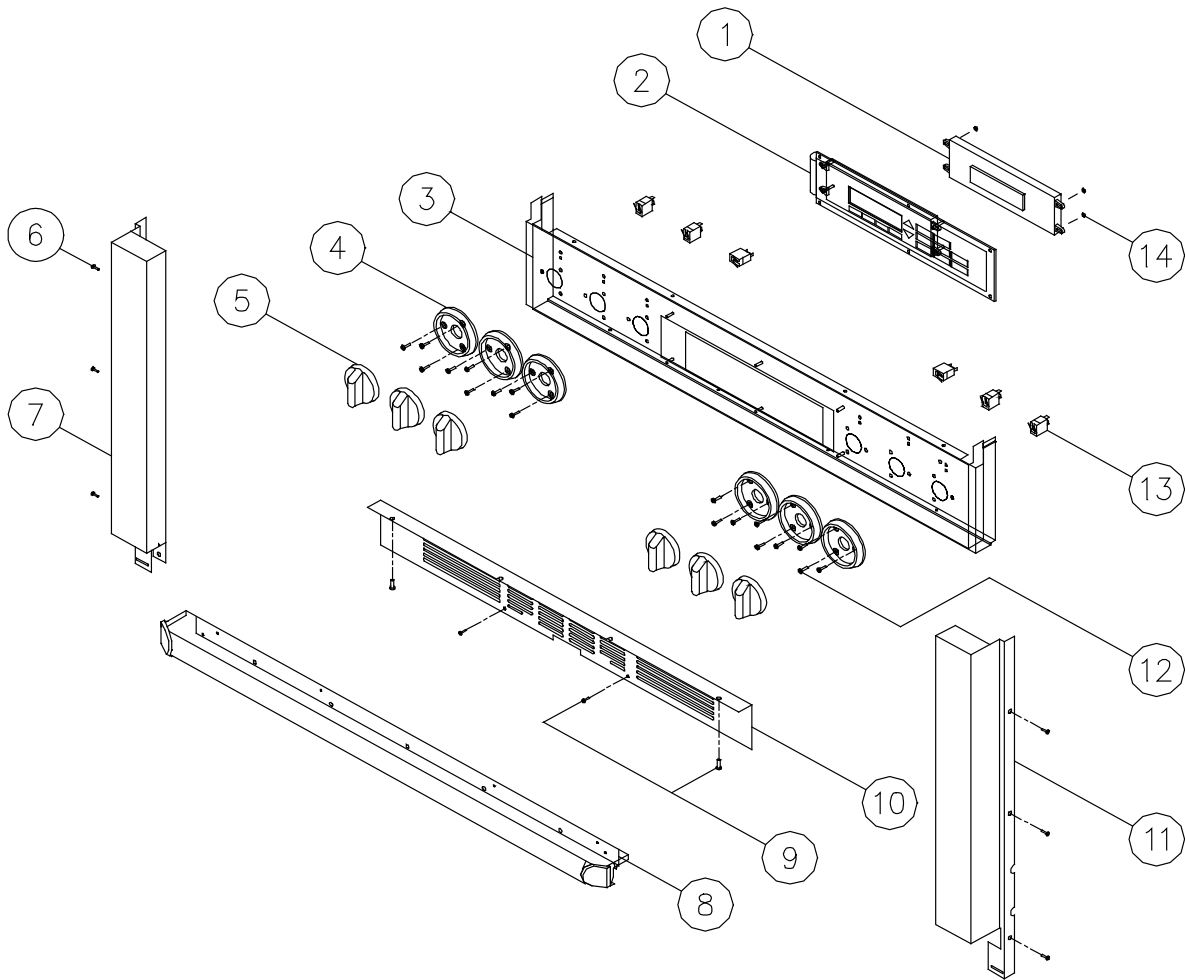
REF #	PART #	DESCRIPTION
1	36103	CHANNEL MTG TOP RR
2	82347	COOLING FAN
3	26874	IGNITOR BRACKET
4	86528	SPARK MODULE
5	36080	PCB OPENING ACCESS BRACKET
6	26608	REAR Baffle
7	27528	SIDE SUPPORT LH
8	62057	TRANSFORMER
9	36108	CHASSIS PLATE
10	36035	SIDE SUPPORT, LH SPILL TRAY
11	36097	GRATE SUPPORT
12	36106	SPILL TRAY, FRONT SUPPORT
13	36313	BURNER SUPPORT
14	62348	BURNER BASE
15	62469	TUBE ASSY #1 NG
*	62463	TUBE ASSY #1 LP
16	62468	TUBE ASSY #2 NG
*	62462	TUBE ASSY #2 LP
17	62467	TUBE ASSY #3 NG
*	62461	TUBE ASSY #3 LP
18	62466	TUBE ASSY #4 NG
*	62460	TUBE ASSY #4 LP
19	62465	TUBE ASSY #5 NG
*	62459	TUBE ASSY #5 LP
20	62464	TUBE ASSY #6 NG
*	62458	TUBE ASSY #6 LP
21	82994	LOWER RELAY, PCB

REF #	PART #	DESCRIPTION
22	62396	HARNESS ASSY
23	36031	SUPPORT, RELAY PCB
24	36107	PLATE, PCB MTG
25	62439	MAIN RELAY
26	27527	WELDMENT SIDE SUPPORT, RH
27	36035	SIDE SUPPORT, SPILL TRAY RH
28	36091	COVER PLATE MANIFOLD ACCESS
29	82151	TERMINAL BLOCK
30	36065	REAR PANEL
31	86581	IGNITOR WIRES
32	26971	COOLING FAN BRACKET
33	36097	GRATE SUPPORT
**NOT SHOWN	86939	WIRE HARNESS - ERC TO RELAY

## HIGH ALTITUDE CHART

15	62457	TUBE ASSY #1 NG/HA
*	62451	TUBE ASSY #1 LP/HA
16	62456	TUBE ASSY #2 NG/HA
*	62450	TUBE ASSY #2 LP/HA
17	62455	TUBE ASSY #3 NG/HA
*	62449	TUBE ASSY #3 LP/HA
18	62454	TUBE ASSY #4 NG/HA
*	62448	TUBE ASSY #4 LP/HA
19	62453	TUBE ASSY #5 NG/HA
*	62447	TUBE ASSY #5 LP/HA
20	62452	TUBE ASSY #6 NG/HA
*	62446	TUBE ASSY #6 LP/HA

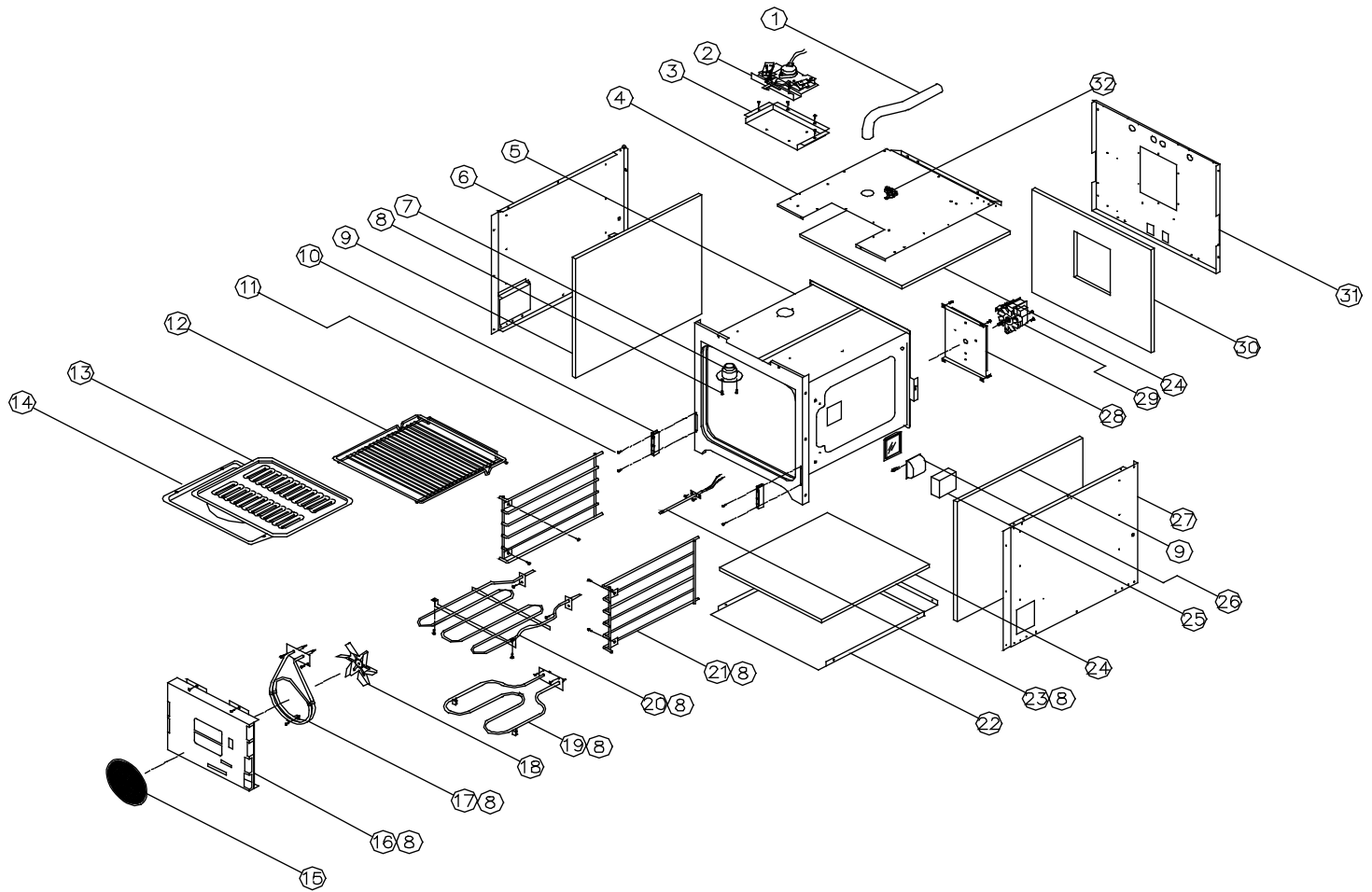
# ERSD48 Range Control Panel Assembly



Ref. #	Part #	Description
1	62680	OVEN CONTROL
2	62310	MEMBRANE (TOUCH PAD; BLACK)
3	13238	CONTROL PANEL
4	62020C	TRIM RING EPICURE - CHROME
5	62021B	EPICURE KNOB
6	36087	INTAKE GRILL
7	86589BK, CH,BR	BULLNOSE ASSY
8	82086	IGNITOR LIGHT, BLUE NEON

Part no longer available? Contact Dacor: (800) 793-0093 ex. 3814

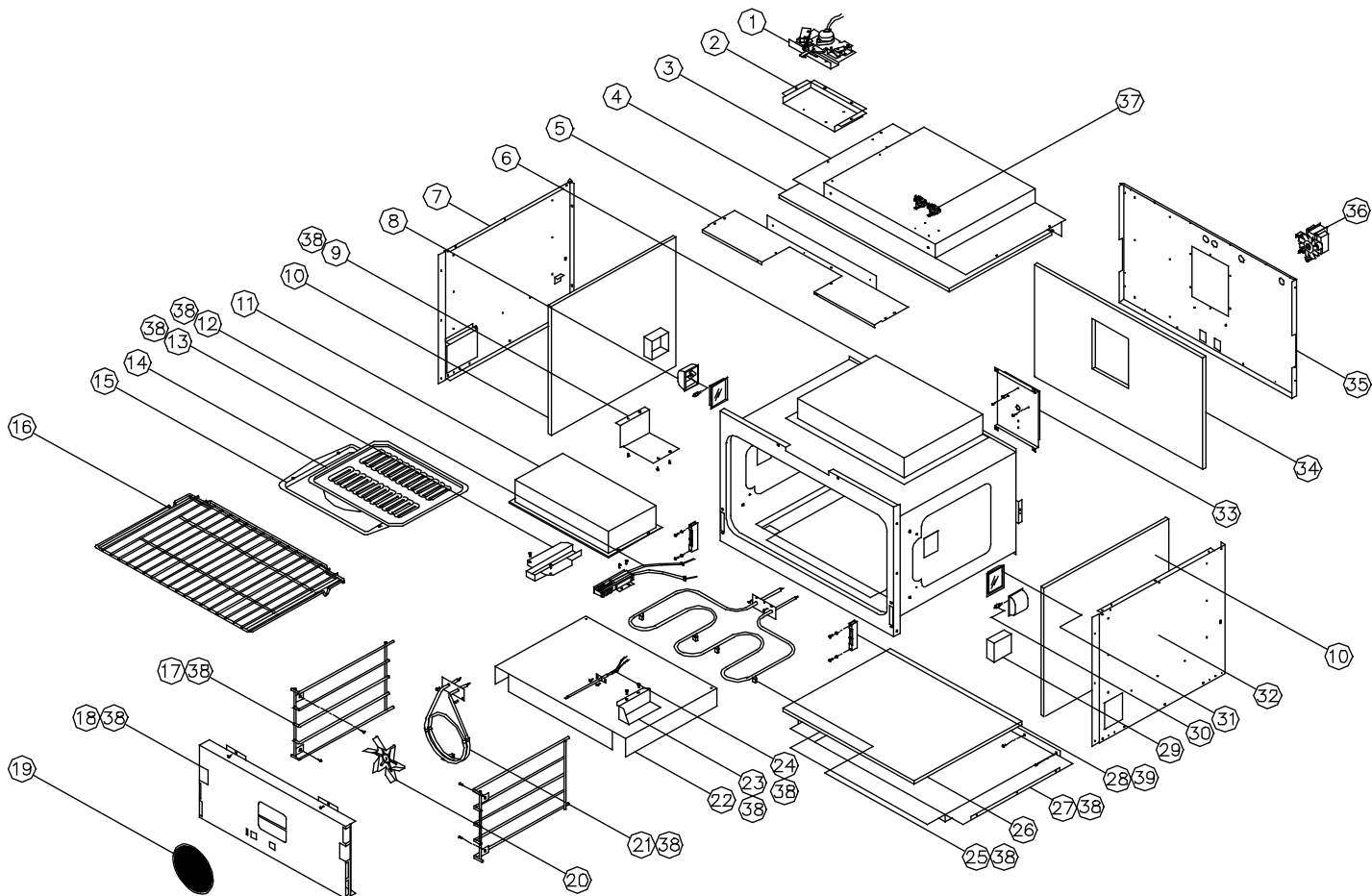
# 18 Inch Oven Cell Assembly



REF#	PART #	DESCRIPTION	REF#	PART #	DESCRIPTION
1	82240	EXHAUST TUBE	18	82651	FAN BLADE, CONVECTION MOTOR
2	86166	DOOR LATCH MECHANISM	19	62264	BAKE ELEMENT
3	26598	LATCH PLATE	20	62076	BROIL ELEMENT
4	26879	CASE TOP	21	62273	SUPPORT RACK
5	Not Replaceable	18" OVEN CELL	22	26880	CASE BOTTOM
6	27530	CASE SIDE - LEFT	23	86663	TEMPERATURE SENSOR
7	82826	SMIKE ELIMINATOR	24	80052	INSULATION, CASE TOP AND BOTTOM
8	83534	SCREW, WAFER HD, #8 X 3/8"	25	36105	HEAT SHIELD, OVEN LIGHTS
9	80050	INSULATION, CASE SIDE	26	62176	LIGHT ASSEMBLY
10	62075	HINGE RECEPTACLE	27	27529	CASE SIDE - LEFT
11	82420	HINGE SCREW	28	27470	CONV. MTR. MTG. PLATE ASSEMBLY
12	62298	18" OVEN RACK	29	62101	CONVECTION MOTOR
13	82106	PLATED GRILL, PORCELAIN PAN	30	80049	INSULATION, CASE RR
14	82107	PORCELAIN PAN	31	26883	CASE BACK
15	82891	CONVECTION FILTER	32	82987	THERMAL SWITCH, HI-TEMP CUT OUT
16	26759BP	CONVECTION BAFFLE			
17	82377	CONVECTION ELEMENT, 2200W 240V			

Part no longer available? Contact Dacor: (800) 793-0093 ex. 3814

# 36 Inch Oven Cell Assembly (early)



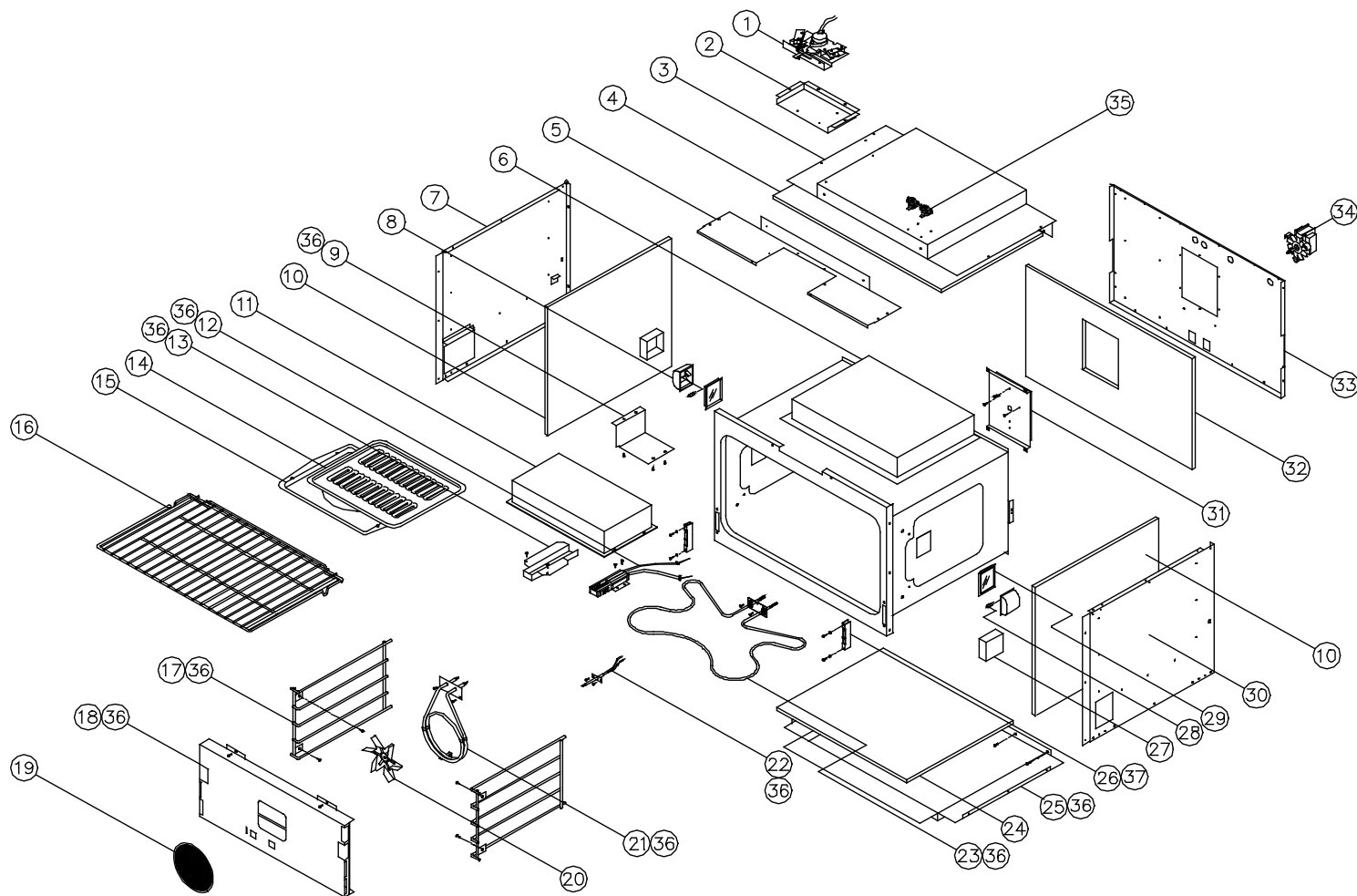
Ref. #	Part #	Description	Ref. #	Part #	Description
1	86166	Door Latch Mechanism	21	82377	Convection Element, 2200W 240V
2	26598	Latch Plate	22**	26957BP	Bake Pan, Black Porcelain
3	26806	Case Top, Rear	23	26442BP	Sensor Shield
4	80030	Insulation, Cell Top	*	86950	Sensor Harness
5	26873	Case Top, Front	24**	86663	Temperature Sensor
6	Not Replaceable	Oven Cell	25**		Bake Element, 4600W
7	27530	Case Side, Left	26	80040	Insulation, Case Bottom
8	62175	Halogen Light Assembly	27	26974	Case Bottom
9	36098	Ventury Tube Shield	28	62075	Door Hinge Receptacle
10	80032	Insulation, Cell Side	29	36105	Heat Shield. Oven Light
11	62262	IR Broiler	30	86573	Halogen Bulb
12	82473	Hot Surface Ignitor	31	86574	Halogen Light Shield
13	36139	Ignitor Shield, IR Broiler	32	27529	Case Side Right, Assembly
14	82106	Plated Grill, Broiler Pan	33	27470	Conv. Mtr. Mtg. Plate
15	82107	Porcelain Pan	34	80031	Insulation, Case Back
16	62297	Oven Rack	35	26882	Case Back
17	62273	Rack Support	36	62101	Convection Fan Motor
18	26967BP	Convection Baffle	37	82987	Thermal Switch, Hi-Temp Cut-Out
19	82891	Convection Filter	38	83534	Screw, Wafer HD, #8 x 3/8"
20	82651	Convection Fan Blade	39	83420	Screw, BTN HD, #10-32 x .50"

\*\*ORDER SERVICE KIT 86958

\*\*For units with a serial # of FC9140573 and lower



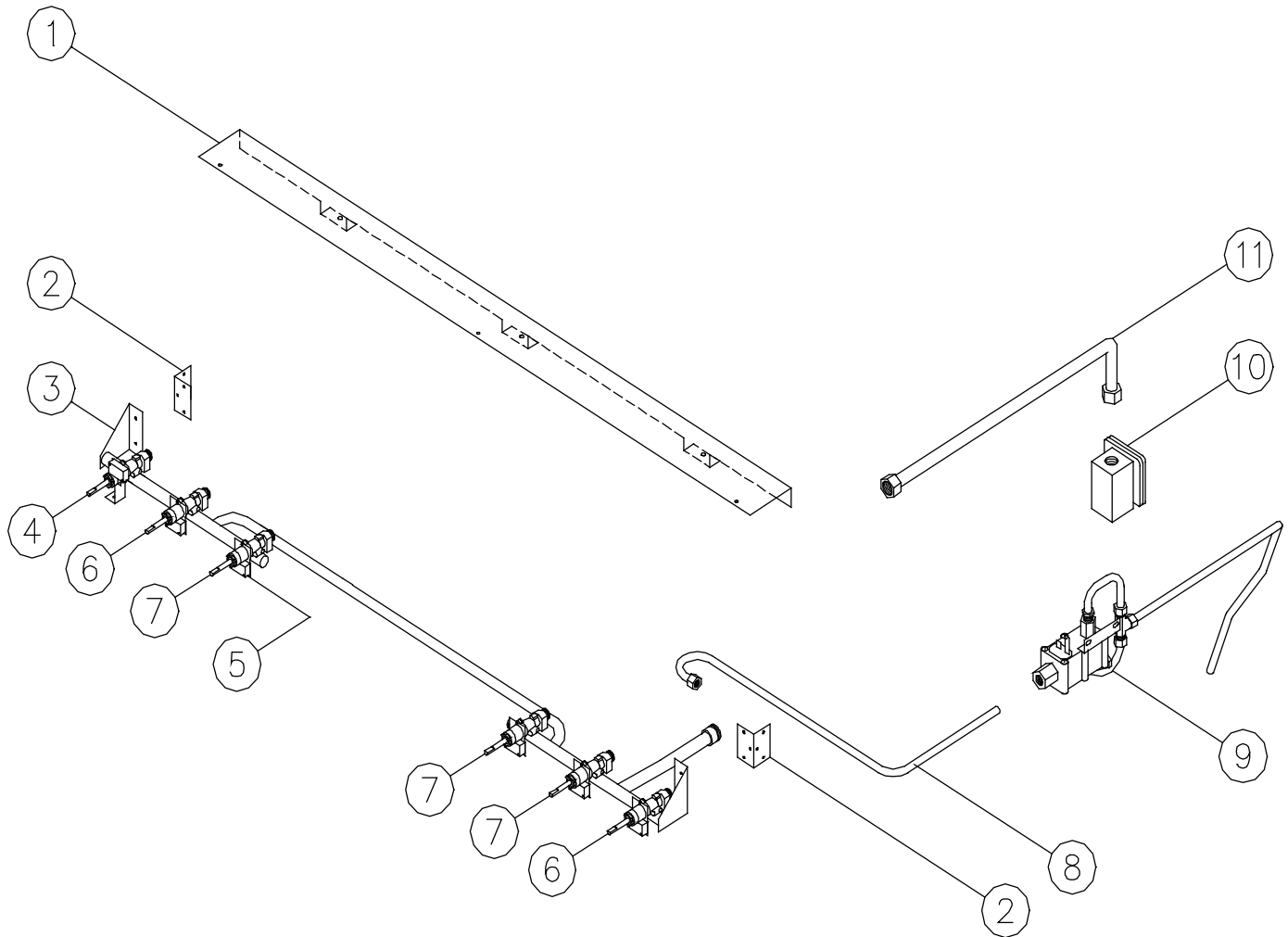
# 36 Inch Oven Cell Assembly (later)



REF #	PART #	DESCRIPTION	REF #	PART #	DESCRIPTION
1	86166	DOOR LATCH MECHANISM	20	82651	FAN BLADE
2	26598	LATCH PLATE	21	82377	CONVECTION ELEMENT, 2200W
3	26806	CASE TOP REAR	22	62593	TEMPERATURE SENSOR
4	80030	INSULATION, TOP REAR	23	62601	BAKE ELEMENT, 4000W
5	26873	CASE TOP FRONT	24	80040	INSULATION, CASE BOTTOM
6	27412BP	OVEN CELL	25	26974	CASE BOTTOM
7	27530	CASE SIDE LEFT	26	62075	HINGE RECEPTACLE
8	62175	HALOGEN LIGHT ASSEMBLY	27	36105	HEAT SHIELD, OVEN LIGHT
9	36098	SHIELD, VENTURI TUBE	28	86573	HALOGEN BULB, 10W
10	80032	INSULATION, CELL SIDE	29	86574	HALOGEN LIGHT SHIELD
11	62262	IR BROILER	30	27529	CASE SIDE, RIGHT
12	82473	HOT SURFACE IGNITOR	31	27470	CONVECTION MOTOR MOUNTING PLATE
13	36139	IGNITOR SHIELD, IR BROILER	32	80031	INSULATION, CASE BACK
14	82106	PLATED GRILL - BROILER PAN	33	26882	CASE BACK
15	82107	PORCELAIN PAN	34	82647	CONVECTION MOTOR
16	62297	OVEN RACK	35	82987	THERMAL SW, HI TEMP CUT-OUT
17	62273	SUPPORT RACK	36	83534	SCREW, WAFER HD, #8 X 3/8"
18	26967BP	CONVECTION BAFFLE	37	83420	SCREW, BTN HD, #10-32 X .50"
19	82891	CONVECTION FILTER			

Part no longer available? Contact Dacor: (800) 793-0093 ex. 3814

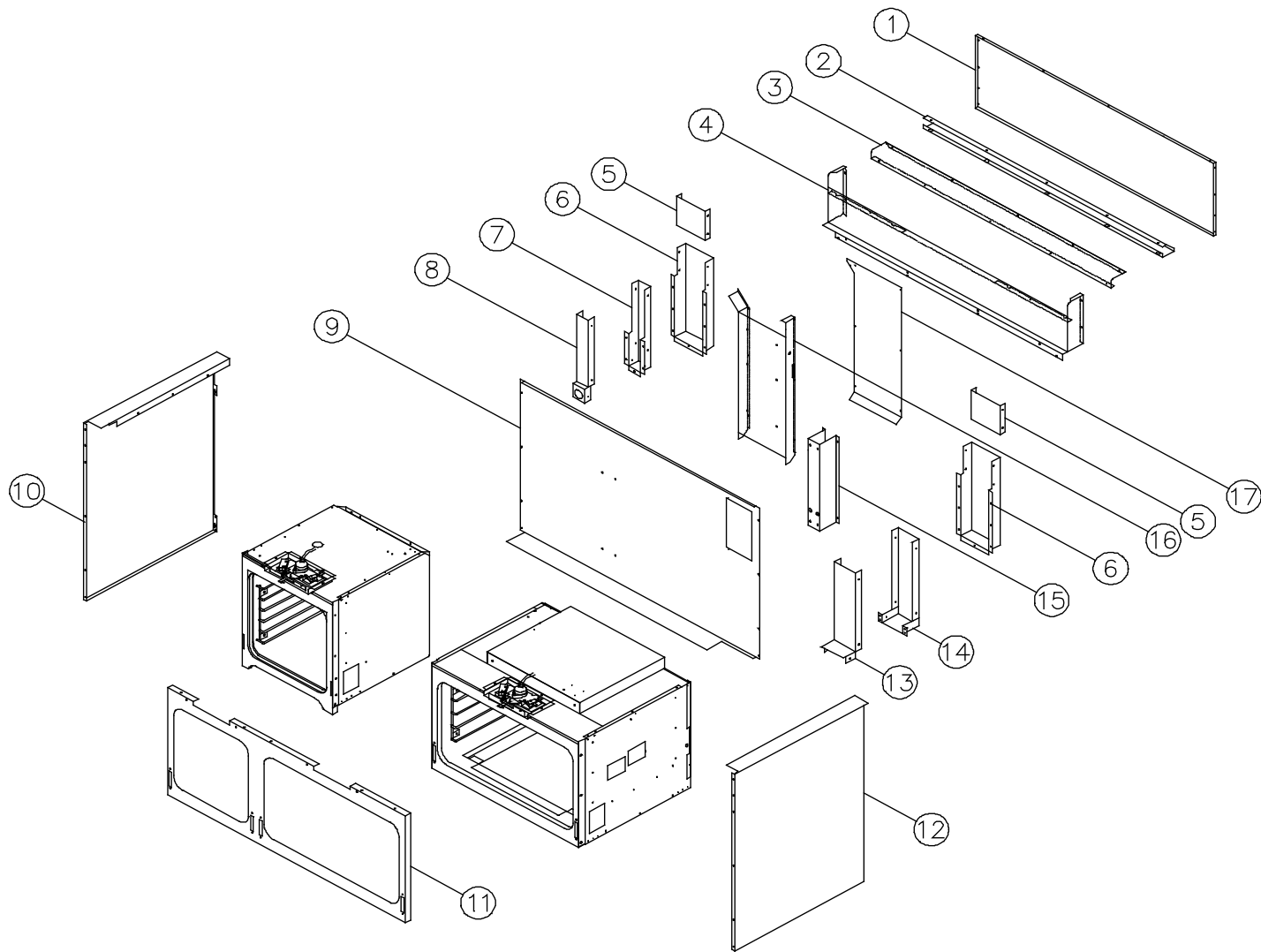
# ERSD48 Range Manifold Assembly



REF#	PART #	DESCRIPTION	REF#	PART #	DESCRIPTION
1	36079	TOP MANIFOLD ENCLOSURE	9	13233	AUTOMATIC VALVE ASSEMBLY
2	36262	BRACKET - MANIFOLD SUPPORT	10	13325	REGULATOR ASSY- NG
3	62473	MANIFOLD WITH VALVES	*	13324	REGULATOR - LP
*	62472	MANIFOLD WITH VALVES LP	11	62343	5/8" TUBE, REG. TO MANIFOLD
4	86555	VALVE - NG			<b>HIGH ALTITUDE CHART</b>
*	86556	VALVE - LP	3	62470	MANIFOLD WITH VALVES NG/HA
5	86576	SWITCH	3	62471	MANIFOLD WITH VALVES LP/HA
6	86557	VALVE - NG	4	86564	VALVE - LP/HA
*	86560	VALVE - LP	4	86561	VALVE - NG/HA
7	86558	VALVE - NG	6	86566	VALVE - LP/HA
*	86559	VALVE - LP	6	86563	VALVE - NG/HA
8	62442	3/8" TUBE, MANIF TO AUTOMATIC VALVE	7	86562	VALVE - NG/HA
			7	86565	VALVE - LP/HA

Part no longer available? Contact Dacor: (800) 793-0093 ex. 3814

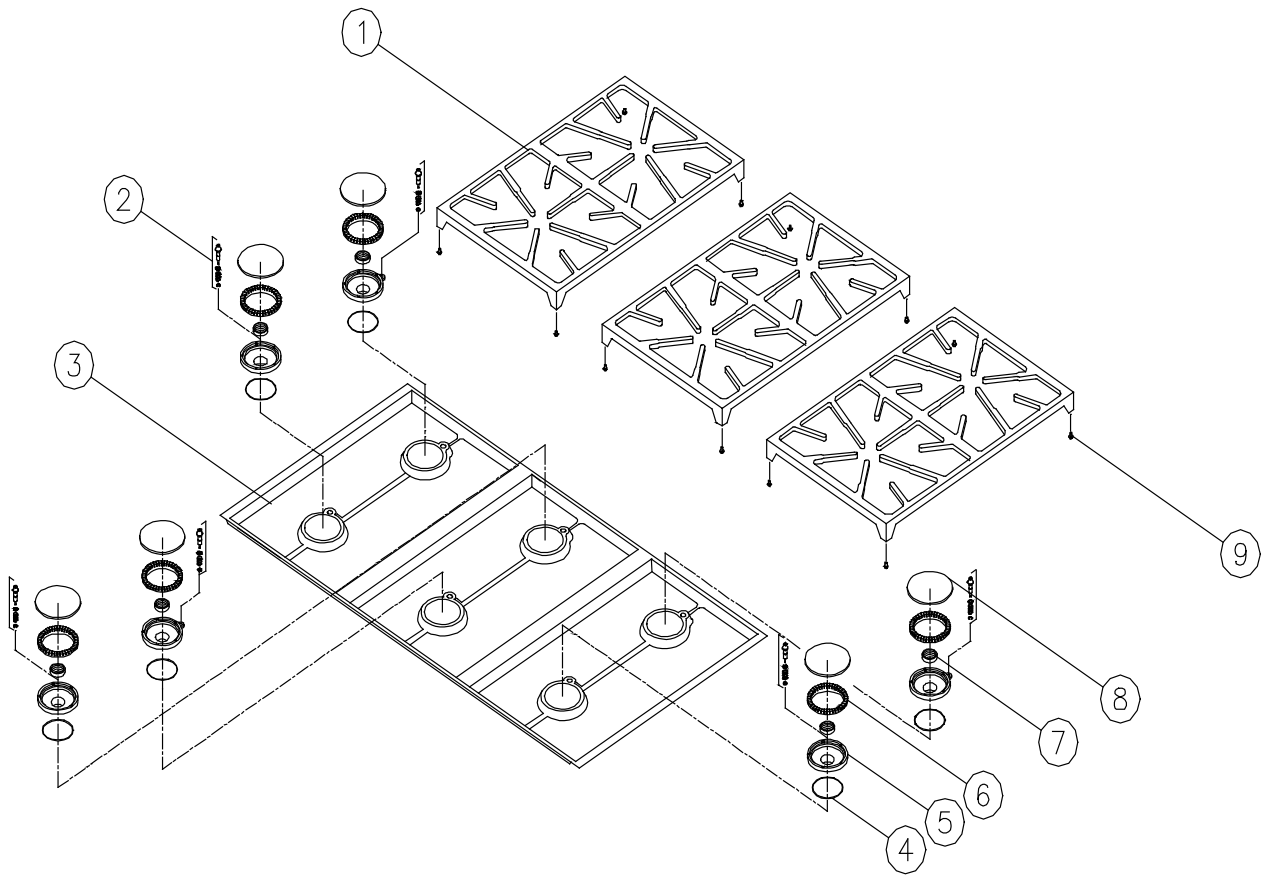
# ERSD48 Range Oven Case Assembly



REF#	PART#	DESCRIPTION	REF#	PART#	DESCRIPTION
1	36069	BACK COVER TOP	8	36084	BACK COVER
2	36068	FLUE COLLAR	9	26956	SIDE PANEL - LEFT
3	13355	3" BACKSPLASH ASSEMBLY	10	26894	H-FRAME
*	13356	9" BACKSPLASH ASSEMBLY	11	26955	SIDE PANEL - RIGHT
*	13359	24" BACKSPLASH ASSEMBLY	12	36075	FLUE DUCT BASE 9"
4	36051	SHIELD FLUE DUCT FRONT	13	36131	FLUE DUCT COVER, 9"
5	36021	SHIELD FLUE DUCT	14	36083	BRACKET, BACK COVER
6	36094	SMOKE DUCT COVER	15	36019	EXHAUST DUCT
7	36095	SMOKE DUCT BASE	16	36020	COVER, EXHAUST DUCT

Part no longer available? Contact Dacor: (800) 793-0093 ex. 3814

# ERSD48 Range Top Frame Assembly



Ref. #	Part #	Description
1	62033BM	GRATE PACK
2	66281	IGNITOR ASSEMBLY
3	26746BP	SPILL TRAY
4	86395	O-RING - "D" BURNER
5	82563	BURNER HEAD "D" BURNER
6	82564	BURNER RING "D" BURNER
7	86405	BRASS NUT
8	62022BM	BURNER CAP "D" BURNER
9	86474	GRATE SUPPORT PAD

Part no longer available? Contact Dacor: (800) 793-0093 ex. 3814