

# **dacor**®

The Life of the Kitchen.®

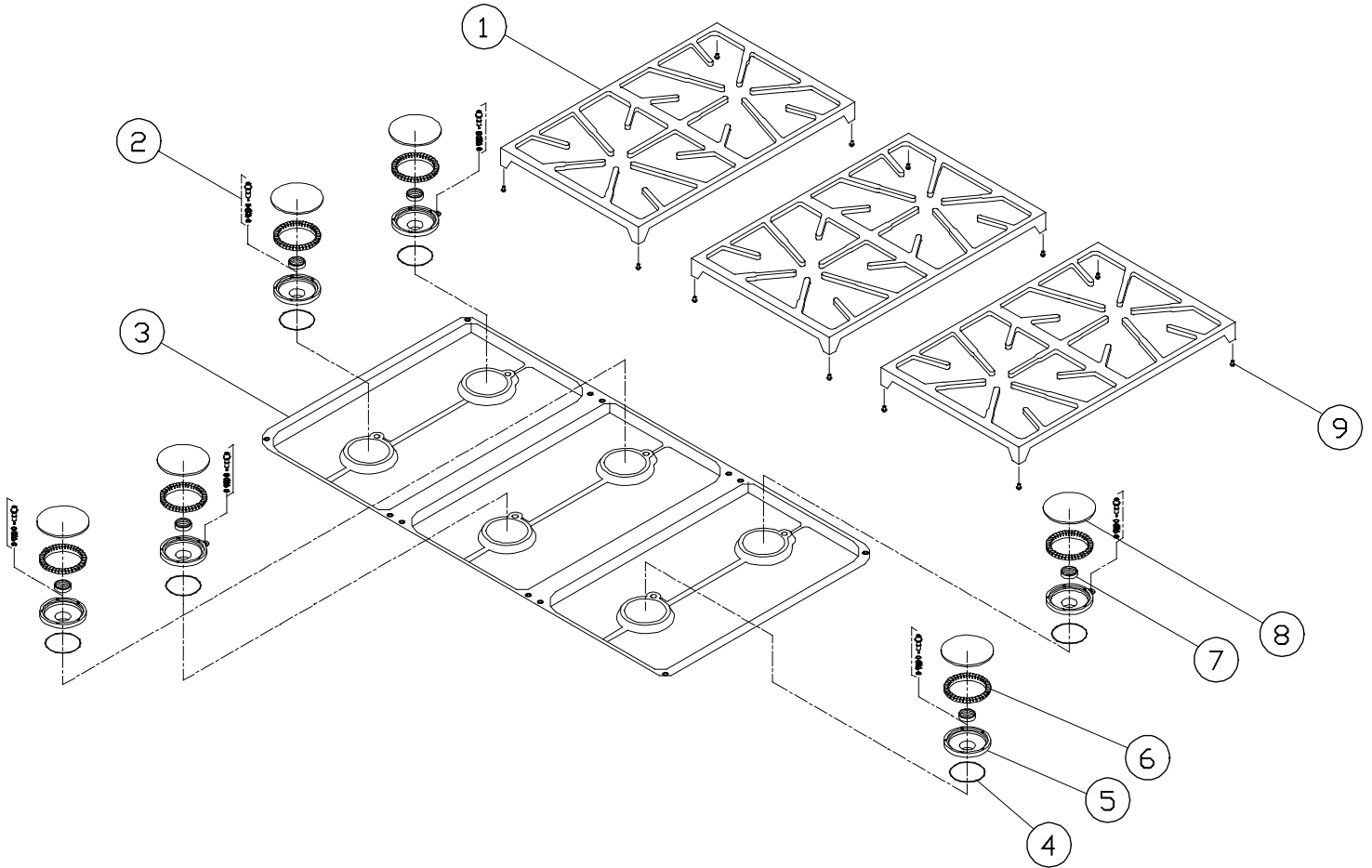
## **PARTS CATALOG**

### **ERDE48 Range**

| <b>Page</b> | <b>Description</b>            |
|-------------|-------------------------------|
| <b>2</b>    | <b>Top Frame Assembly</b>     |
| <b>3</b>    | <b>Top Assembly</b>           |
| <b>4</b>    | <b>Top Assembly Parts</b>     |
| <b>5</b>    | <b>36" Cell Assembly</b>      |
| <b>6</b>    | <b>36" Cell Components</b>    |
| <b>7</b>    | <b>18" Cell Assembly</b>      |
| <b>8</b>    | <b>18" Cell Components</b>    |
| <b>9</b>    | <b>Sub-Chassis Assembly</b>   |
| <b>10</b>   | <b>Control Panel Assembly</b> |
| <b>11</b>   | <b>Manifold Assembly</b>      |
| <b>12</b>   | <b>36" Door Assembly</b>      |
| <b>13</b>   | <b>18" Door Assembly</b>      |
| <b>14</b>   | <b>Base Assembly</b>          |

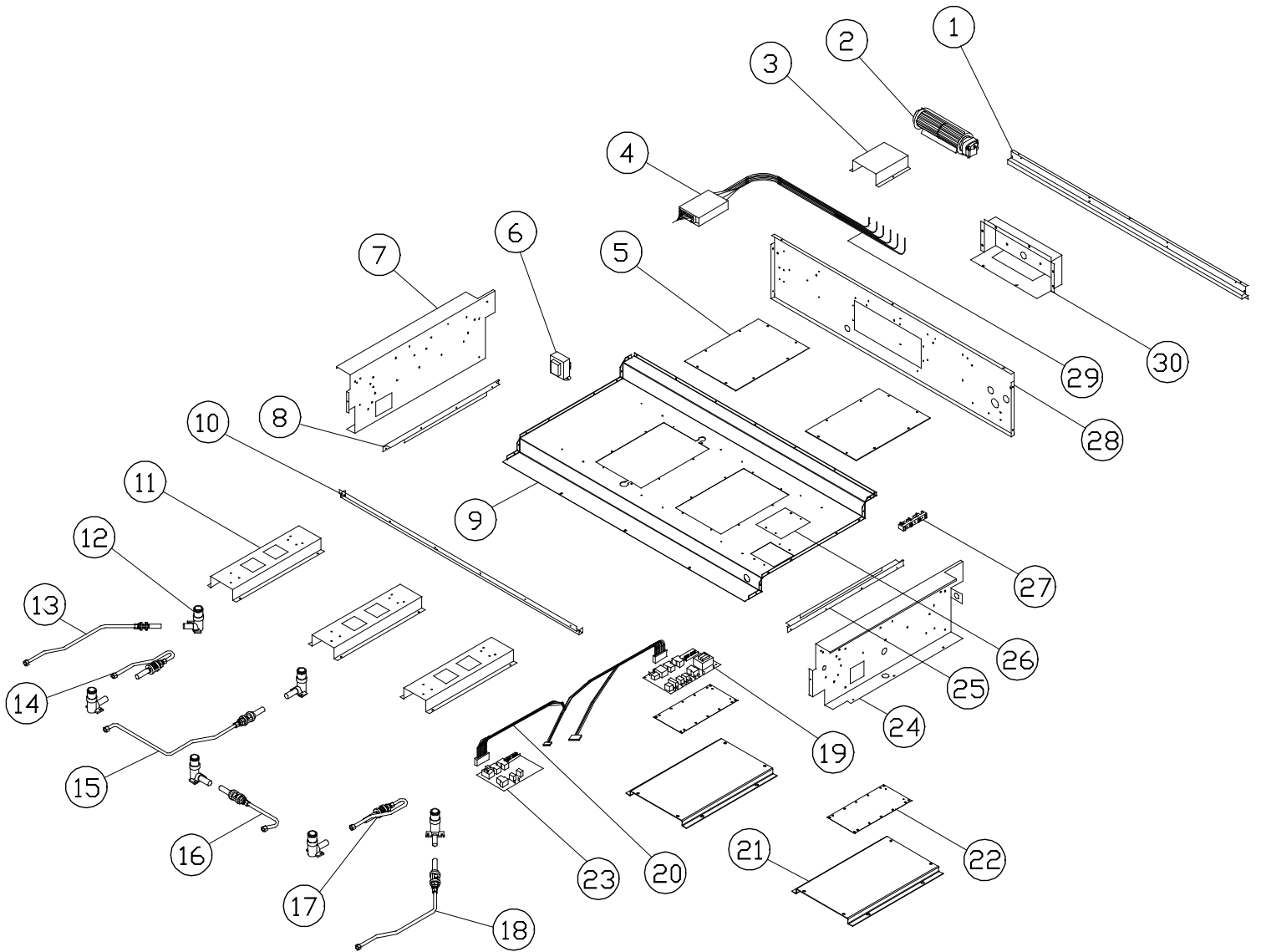
Revised 03-21-2012

# ERDE48 Top Frame



| Item | Part #  | Description                  |
|------|---------|------------------------------|
| 1    | 72432SB | Grate Pack, 14" Grate        |
| 2    | 66283   | Assy, Spark Igniter, Service |
| 3    | 26746BP | Spill Tray                   |
| 4    | 86395   | O-Ring, 'D' Burner           |
| 5    | 62954   | Asy, 'D' Burner Head         |
| 6    | 82564   | Ring Set, 2x 'D' Rings       |
| 7    | 86405   | Brass Nut, C & B Head        |
| 8    | 72435SB | Burner Cap, 'D' Burner       |
| 9    | 86474   | Grate Support, Pad           |

# ERDE48 Top Assembly

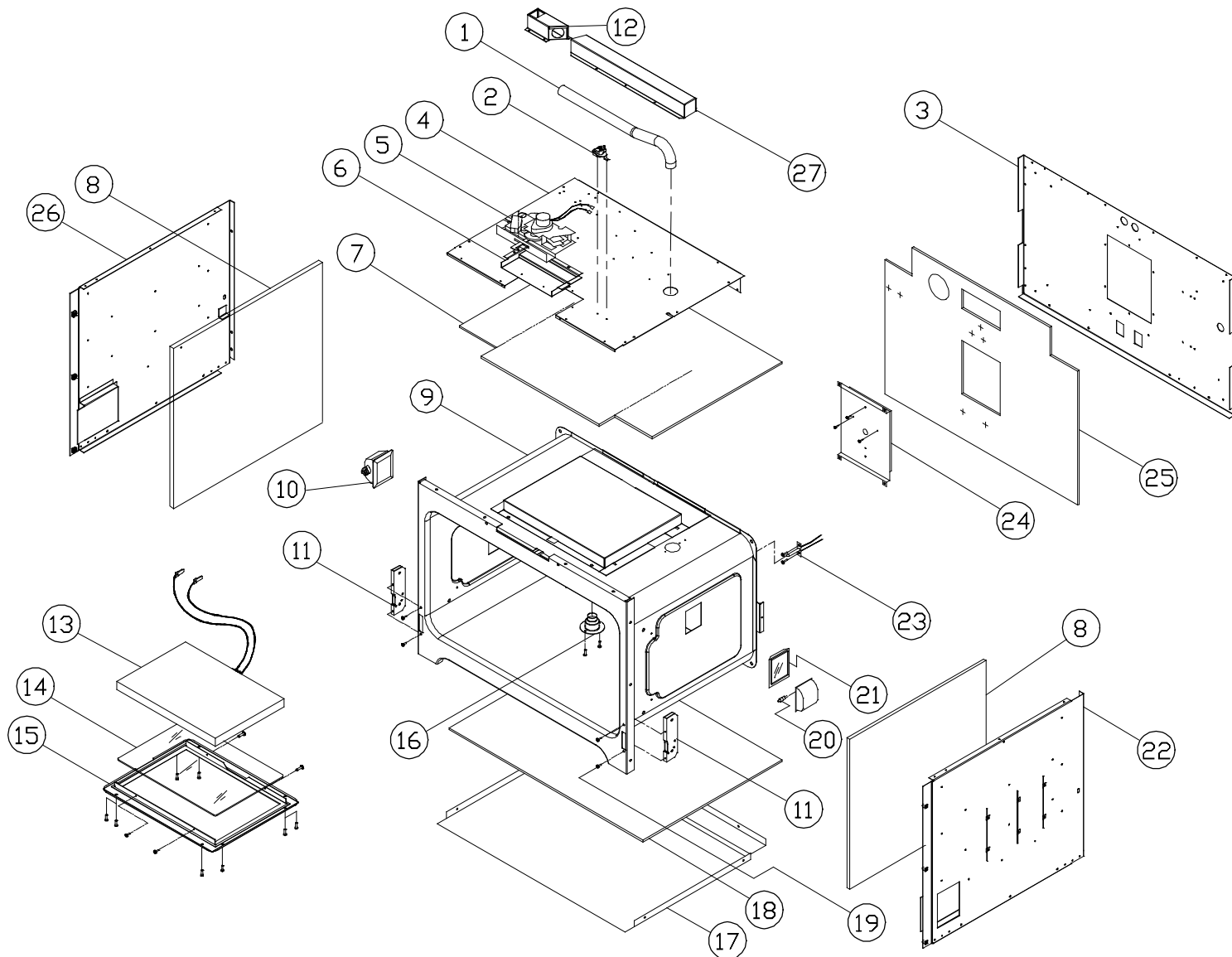


# ERDE48 Top Assembly Parts

| Item | NG Part #          | LP Part #          | NGH Part #         | LPH Part #         | Description                        |
|------|--------------------|--------------------|--------------------|--------------------|------------------------------------|
| 1    | 36103              | 36103              | 36103              | 36103              | Channel, Mounting Top Rear         |
| 2    | 82347              | 82347              | 82347              | 82347              | Cooling Fan                        |
| 3    | 26874              | 26874              | 26874              | 26874              | Ignitor Bracket                    |
| 4    | 86528 <sup>1</sup> | 86528 <sup>1</sup> | 86528 <sup>1</sup> | 86528 <sup>1</sup> | Spark Module, 6-Point <sup>1</sup> |
| 5    | 46076              | 46076              | 46076              | 46076              | Access Panel                       |
| 6    | 62808              | 62808              | 62808              | 62808              | Transformer                        |
| 7    | 36328              | 36328              | 36328              | 36328              | Side Support, LH                   |
| 8    | 36035              | 36035              | 36035              | 36035              | Side Support, Spill Tray           |
| 9    | N/A                | N/A                | N/A                | N/A                | Chassis                            |
| 10   | 36535              | 36535              | 36535              | 36535              | Support, Spill Tray, Front         |
| 11   | 36313              | 36313              | 36313              | 36313              | Burner Support                     |
| 12   | 62325              | 62325              | 62325              | 62325              | Burner Base                        |
| 13   | 62984              | 62463              | 62991              | 62451              | Assy, Tube #1                      |
| 14   | 62985              | 62462              | 62992              | 62450              | Assy, Tube #2                      |
| 15   | 62986              | 62461              | 62993              | 62449              | Assy, Tube #3                      |
| 16   | 62987              | 62460              | 62994              | 62448              | Assy, Tube #4                      |
| 17   | 62988              | 62459              | 62995              | 62447              | Assy, Tube #5                      |
| 18   | 62989              | 62458              | 62996              | 62446              | Assy, Tube #6                      |
| 19   | 92029              | 92029              | 92029              | 92029              | Relay Board                        |
| 20   | 72789              | 72789              | 72789              | 72789              | Assy, Wire Harness                 |
| 21   | 46062              | 46062              | 46062              | 46062              | PCB Relay Support                  |
| 22   | 46063              | 46063              | 46063              | 46063              | Plate Relay Board                  |
| 23   | 82994              | 82994              | 82994              | 82994              | Relay PCB                          |
| 24   | 36554              | 36554              | 36554              | 36554              | Side Support, RH                   |
| 25   | 36035              | 36035              | 36035              | 36035              | Side Support, Spill Tray           |
| 26   | 36091              | 36091              | 36091              | 36091              | Manifold Access Cover Plate        |
| 27   | 92029              | 92029              | 92029              | 92029              | Relay Board                        |
| 28   | 46059              | 46059              | 46059              | 46059              | Rear Panel                         |
| 29   | 72789              | 72789              | 72789              | 72789              | Ignition Wires                     |
| 30   | 26971              | 26971              | 26971              | 26971              | Cooling Fan Bracket                |

<sup>1</sup>Kit # 86528 includes the spark module and both pieces of Velcro

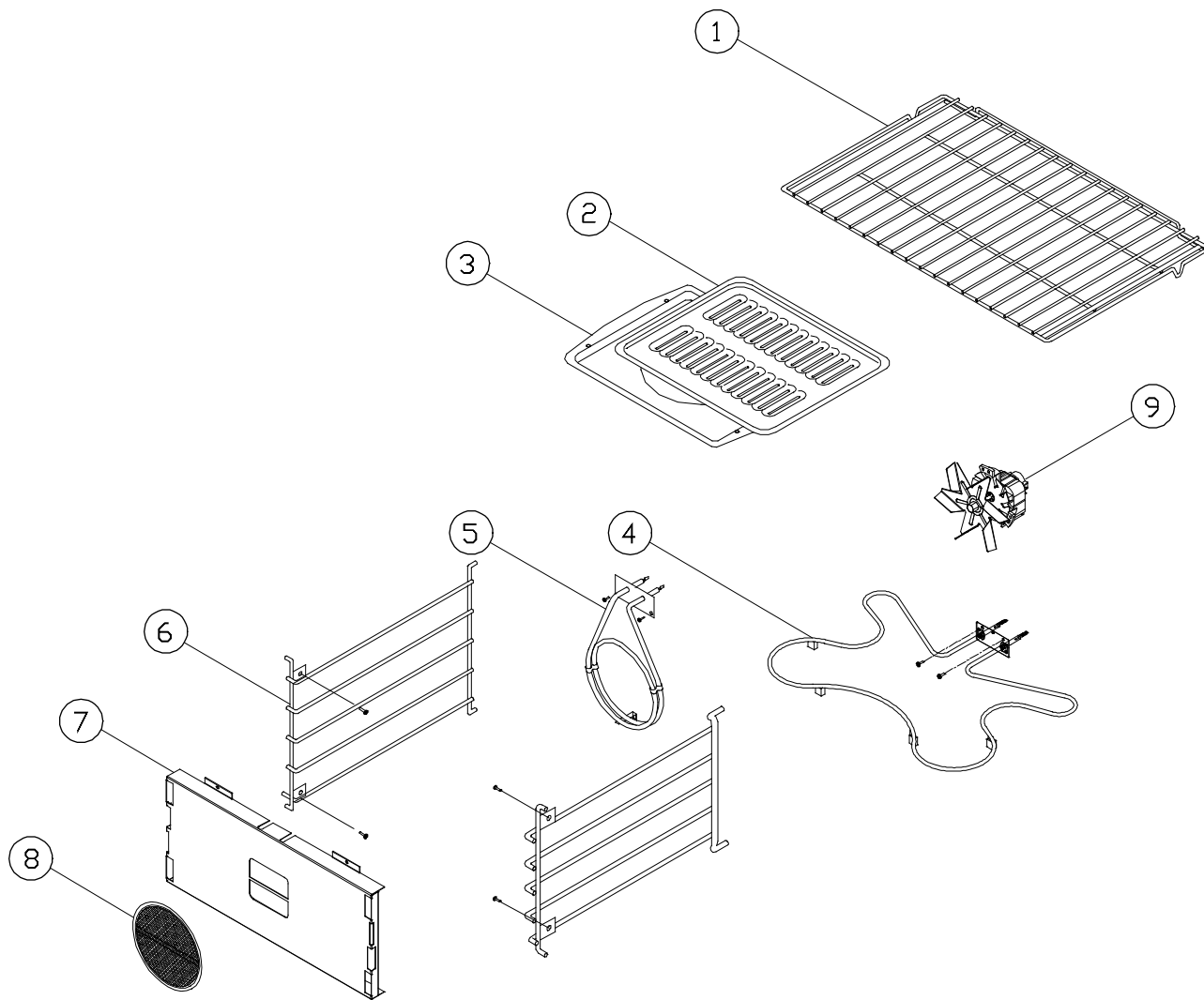
# ERDE48 36" Cell Assembly



| Item | Part # | Description                  |
|------|--------|------------------------------|
| 1    | 72816  | Exhaust Tube                 |
| 2    | 82987  | Hi-Limit Switch              |
| 3    | 26882  | Case Rear                    |
| 4    | 46064  | Case Top                     |
| 5    | 86166  | Assy, Door Latch Replacement |
| 6    | 46108  | Latch Plate                  |
| 7    | 80136  | Insulation Top               |
| 8    | 80135  | Insulation Cell Side         |
| 9    | N/A    | Assy, Oven Cell              |
| 10   | 62175  | Assy, Halogen Light          |
| 11   | 62075  | Receptacle Hinge             |
| 12   | 27866  | Steam Box                    |
| 13   | 72928  | Broil Element                |

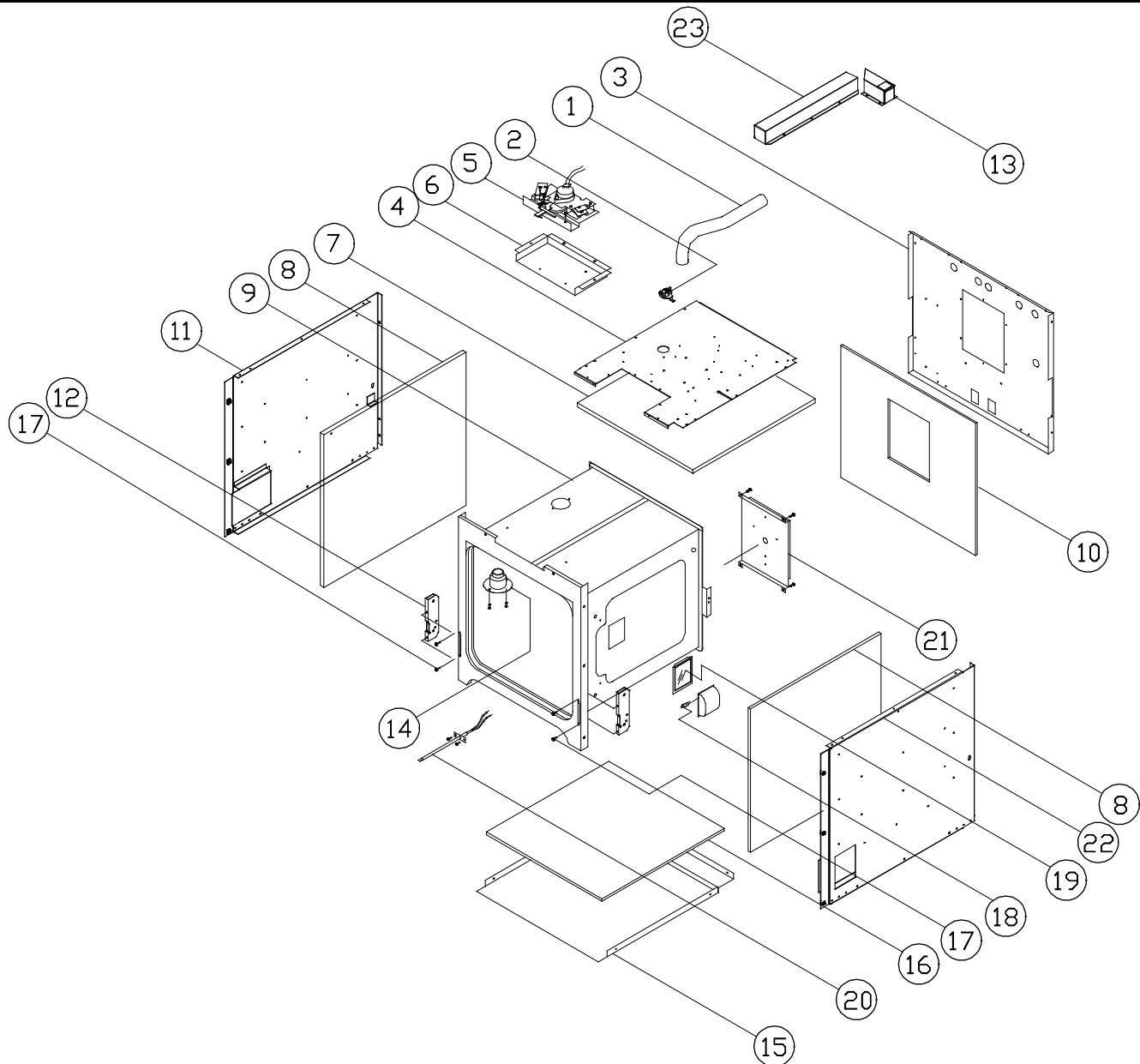
| Item | Part #  | Description                     |
|------|---------|---------------------------------|
| 14   | 72160   | Broil Glass                     |
| 15   | 27865BP | Assy, Broiler Glass Frame       |
| 16   | 82826   | Smoke Eliminator                |
| 17   | 26974   | Case Bottom                     |
| 18   | 80224   | Insulation Bottom               |
| 19   | 83420   | Screw, 10-32 x .500             |
| 20   | 86573   | Halogen Bulb, 10 W              |
| 21   | 86574   | Halogen Light Shield            |
| 22   | 27529   | Case Side Right                 |
| 23   | 62593   | Temperature Sensor              |
| 24   | 36280   | Convection Motor Mounting Plate |
| 25   | 80134   | Insulation, Case Back           |
| 26   | 27530   | Case Side Left                  |
| 27   | 46061   | Smoke Shield                    |

# ERDE48 36" Cell Components



| Item  | Part #              | Description                         |
|---|---------------------|-------------------------------------|
| 1   | 62783               | Oven Rack, 36"                      |
| 2   | 82106               | Porcelain Grill                     |
| 3   | 82107               | Porcelain Pan                       |
| 4   | 62601               | Bake Element                        |
| 5   | 701042 <sup>1</sup> | Convection Element Kit <sup>1</sup> |
| 6   | 62972               | Support Rack                        |
| 7   | 46089BP             | Convection Baffle                   |
| 8   | 82891               | Convection Filter                   |
| 9   | 62101 <sup>2</sup>  | Assy, Convection Motor <sup>2</sup> |
| <sup>1</sup> Kit # 701042 includes convection element, fan blade, washer and nut  |                     |                                     |
| <sup>2</sup> Kit # 62101 includes convection fan motor, fan blade, washer and nut |                     |                                     |

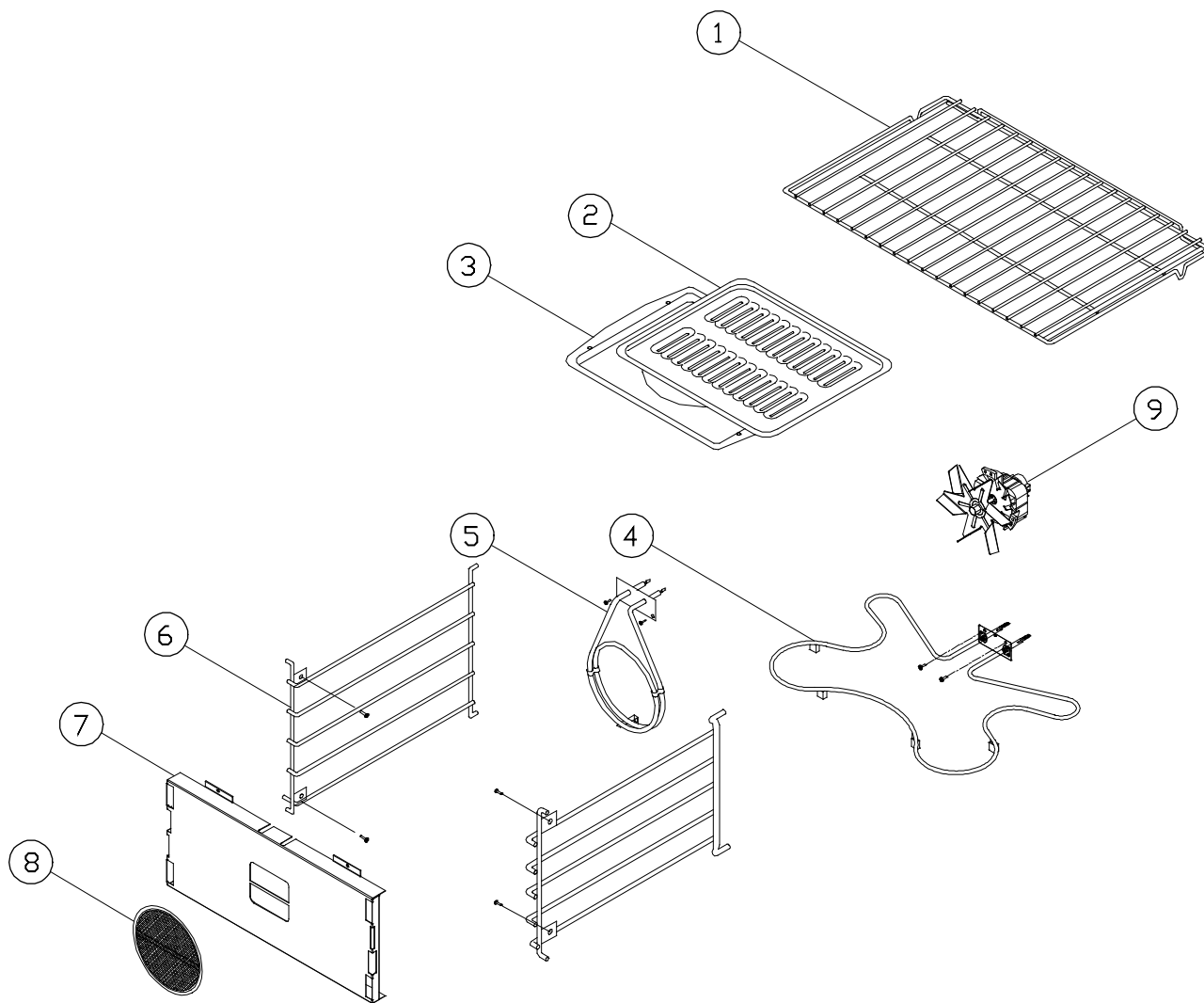
# ERDE48 18" Cell Assembly



| Item | Part # | Description                  |
|------|--------|------------------------------|
| 1    | 72817  | Exhaust Tube                 |
| 2    | 82987  | Hi-Limit Switch              |
| 3    | 26883  | Case Rear                    |
| 4    | 26879  | Case Top                     |
| 5    | 86166  | Assy, Door Latch Replacement |
| 6    | 26598  | Latch Plate                  |
| 7    | 80133  | Insulation Top               |
| 8    | 80132  | Insulation Cell Side         |
| 9    | N/A    | Assy, Oven Cell              |
| 10   | 80131  | Insulation Rear              |
| 11   | 27530  | Case Side, Left              |
| 12   | 62075  | Receptacle Hinge             |

| Item | Part # | Description                     |
|------|--------|---------------------------------|
| 13   | 27868  | Stem Box 18"                    |
| 14   | 82826  | Smoke Eliminator                |
| 15   | 26880  | Case Bottom                     |
| 16   | 80133  | Insulation Bottom               |
| 17   | 83420  | Screw, #10-32 x .500            |
| 18   | 86573  | Halogen Bulb, 10 W              |
| 19   | 86574  | Halogen Light Shield            |
| 20   | 62593  | Temperature Sensor              |
| 21   | 36280  | Convection Motor Mounting Plate |
| 22   | 27529  | Case Side, Right                |
| 23   | 46065  | Smoke Shield, 18"               |

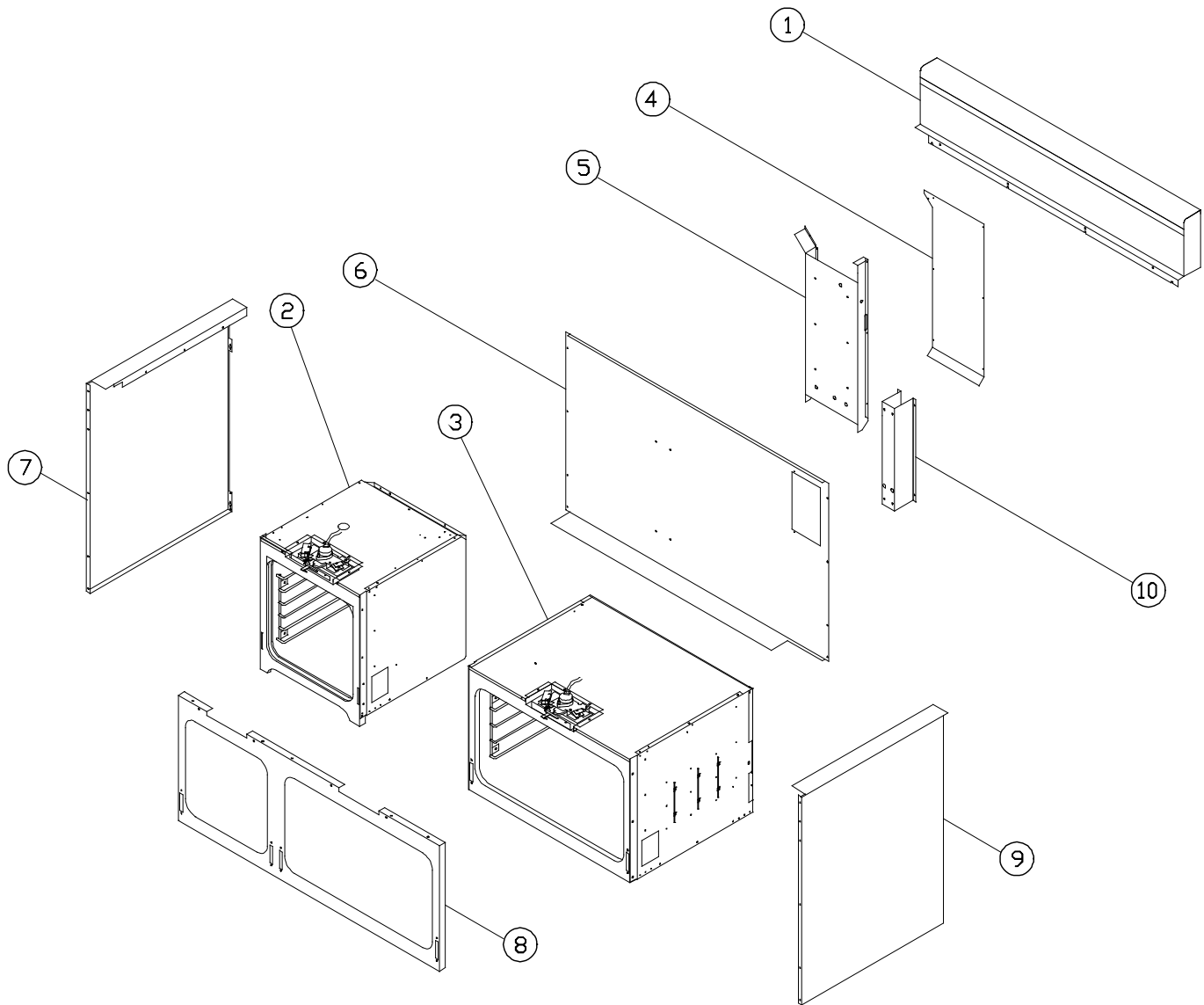
# ERDE48 18" Cell Components



| Item  | Part #              | Description                         |
|---|---------------------|-------------------------------------|
| <b>1</b>  | 62782               | Oven Rack, 18"                      |
| <b>2</b>  | 82106               | Porcelain Grill                     |
| <b>3</b>  | 82107               | Porcelain Pan                       |
| <b>4</b>  | 62972               | Support Rack                        |
| <b>5</b>  | 62076               | Broil Element                       |
| <b>6</b>  | 62264               | Bake Element                        |
| <b>7</b>  | 26759BP             | Convection Baffle                   |
| <b>8</b>  | 82891               | Convection Filter                   |
| <b>9</b>  | 701042 <sup>1</sup> | Convection Element Kit <sup>1</sup> |
| <b>10</b>   | 62101 <sup>2</sup>  | Assy, Convection Motor <sup>2</sup> |
| <sup>1</sup> Kit # 701042 includes convection element, fan blade, washer and nut  |                     |                                     |
| <sup>2</sup> Kit # 62101 includes convection fan motor, fan blade, washer and nut |                     |                                     |

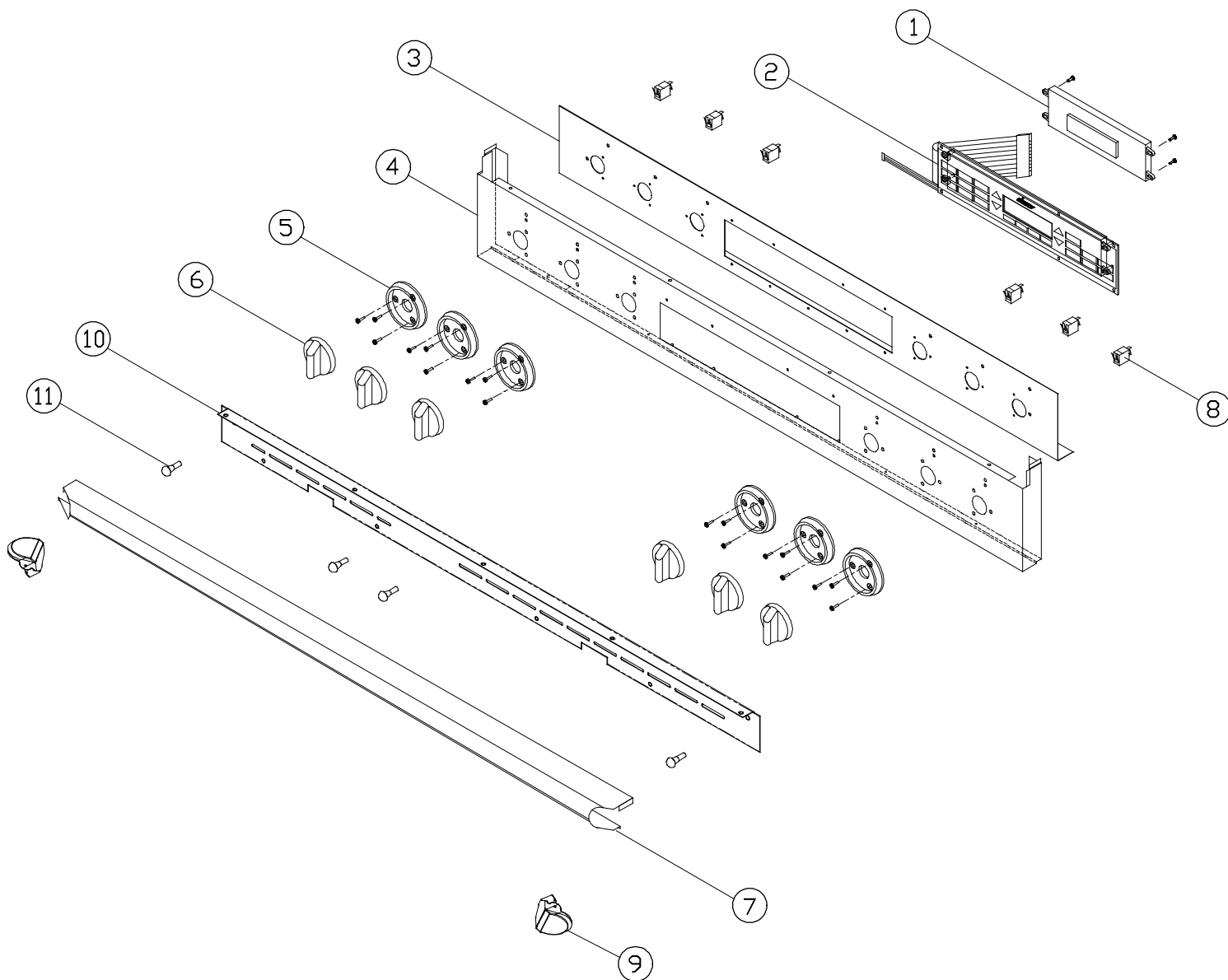


# ERDE48 Sub-Chassis Assembly



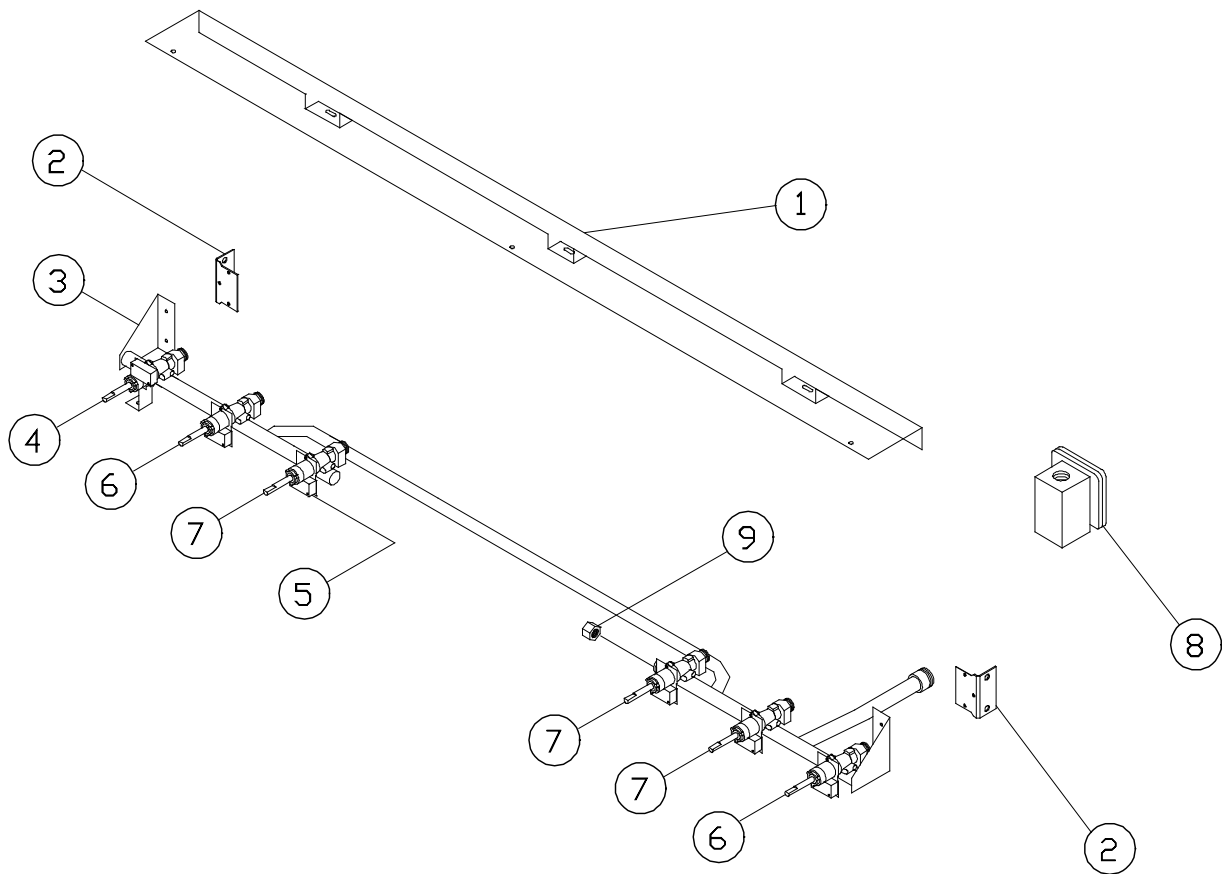
| Item | Part # | Description           |
|------|--------|-----------------------|
| 1    | 13355  | Assy, Backsplash, 3"  |
|      | 13356  | Assy, Backsplash, 9"  |
|      | 13359  | Assy, Backsplash, 24" |
| 2    | N/A    | Assy, Oven Case, 18"  |
| 3    | N/A    | Assy, Oven Case, 36"  |
| 4    | 36020  | Exhaust Duct Cover    |
| 5    | 36493  | Exhaust Duct          |
| 6    | 36084  | Back Cover            |
| 7    | 26955  | Side Panel, Left      |
| 8    | 26894  | H-Frame               |
| 9    | 26956  | Side Panel, Right     |
| 10   | 36083  | Back Cover Bracket    |

# ERDE48 Control Panel Assembly



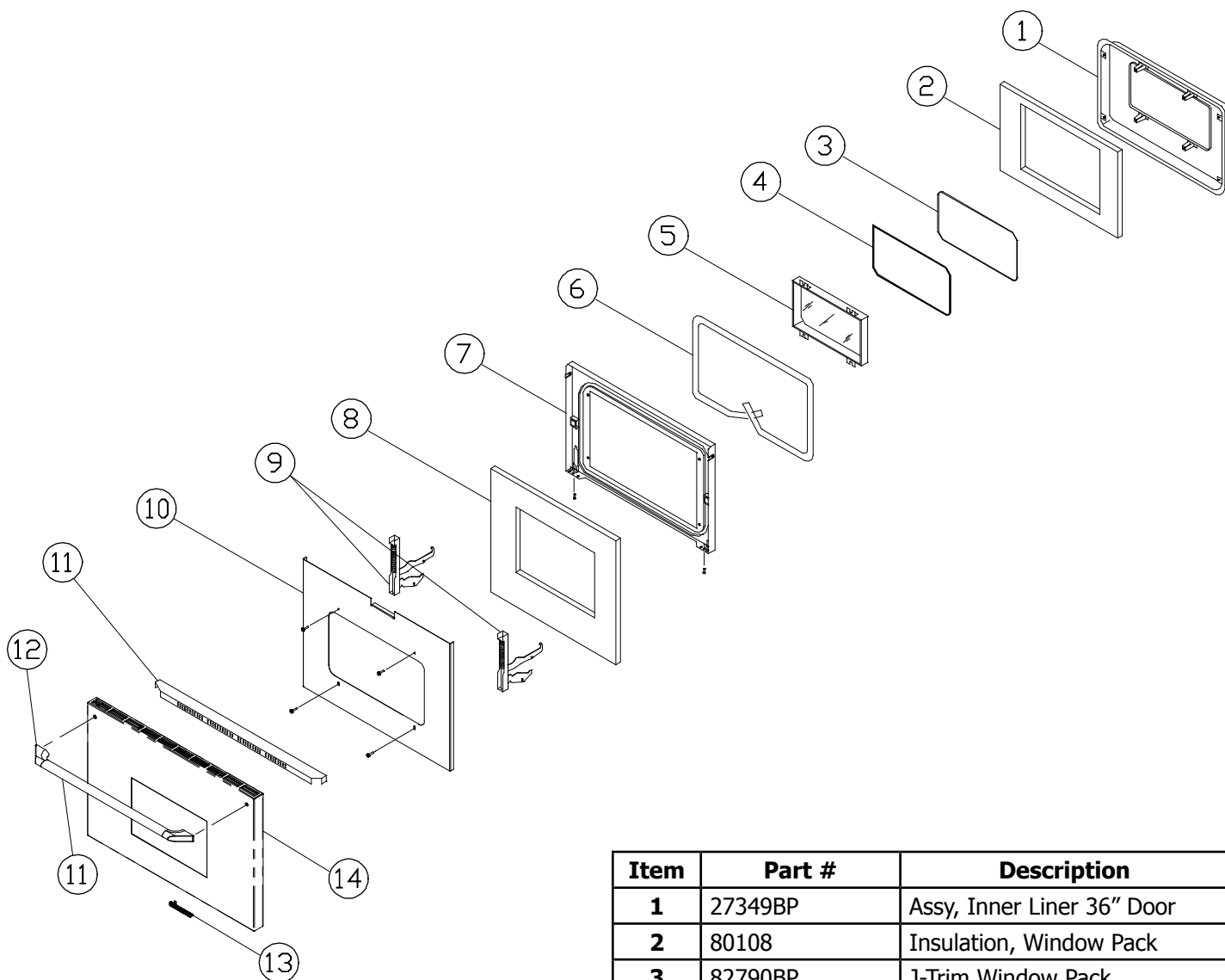
| Item   | Part #              | Description                           |
|--|---------------------|---------------------------------------|
| 1  | 701003 <sup>1</sup> | Oven Control Service Kit <sup>1</sup> |
| 2  | 62310               | Membrane                              |
| 3  | N/A                 | Sub-Panel                             |
| 4  | 26902E              | Control Panel                         |
| 5  | 100122BC/BR/CH/CP   | Trim Ring, Epicure                    |
| 6  | 62021B              | Knob, Epicure                         |
| 7  | 27719               | Weld, Bullnose                        |
| 8  | 82086               | Indicator Light                       |
| 9  | 62712BK/BR/CH/CP    | End Cap                               |
| 10   | 36087               | Intake Grill                          |
| 11   | 72652               | Rubber Bumper                         |
| <sup>1</sup> Kit # 701003 includes oven control and temperature sensor kit |                     |                                       |

# ERDE48 Manifold Assembly



| Item | NG Part # | LP Part # | NGH Part # | LPH Part # | Description                   |
|------|-----------|-----------|------------|------------|-------------------------------|
| 1    | 36079     | 36079     | 36079      | 36079      | Top, Manifold Enclosure       |
| 2    | 36085     | 36085     | 36085      | 36085      | Bracket, Manifold Support, RH |
| 3    | 62990     | 62472     | 62997      | 62471      | Assy, Manifold w/ Valves      |
| 4    | 86961     | 86558     | 86965      | 86564      | Valve                         |
| 5    | 86576     | 86576     | 86576      | 86576      | Switch                        |
| 6    | 86962     | 86560     | 86966      | 86566      | Valve                         |
| 7    | 86963     | 86559     | 86967      | 86565      | Valve                         |
| 8    | 13481     | 13324     | 13481      | 13324      | Assy, Regulator               |
| 9    | 62058     | 62058     | 62058      | 62058      | Cap - 3/8"                    |

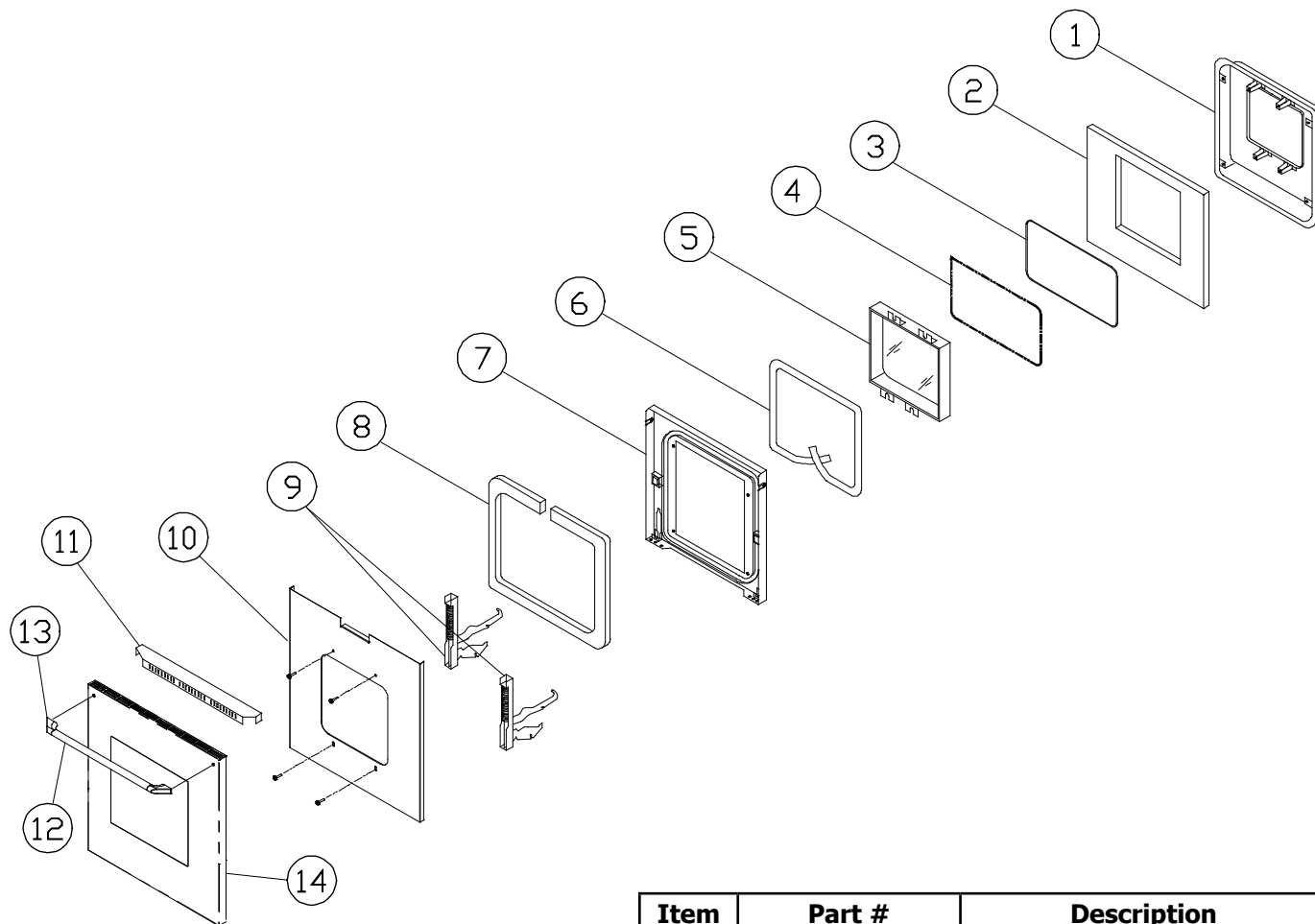
# ERDE48 36" Door Assembly



| Item | Part #             | Description                        |
|------|--------------------|------------------------------------|
| 1    | 27349BP            | Assy, Inner Liner 36" Door         |
| 2    | 80108              | Insulation, Window Pack            |
| 3    | 82790BP            | J-Trim Window Pack                 |
| 4    | 83425              | Thermocord, 3/16"                  |
| 5    | 13140              | Window Pack, 36" Door              |
| 6    | 72046              | Door Gasket, 36" Door              |
| 7    | 27352BP            | Asy, Outer Liner, 36" Door         |
| 8    | 80033              | Insulation Set, 36" Door           |
| 9    | 62436              | Hinge, Nuova Star-Silver           |
| 10   | 26908B             | Heat Shield, 36" Door              |
| 11   | 62209              | Handle, 36" Epicure                |
| 12   | 62691BK/CH/BR/CP   | End Cap, Handles                   |
| 13   | 72511CH/BR/CP      | Dacor Logo, Large                  |
| 14   | 66995 <sup>1</sup> | Assy, Outer Door, 36" <sup>1</sup> |

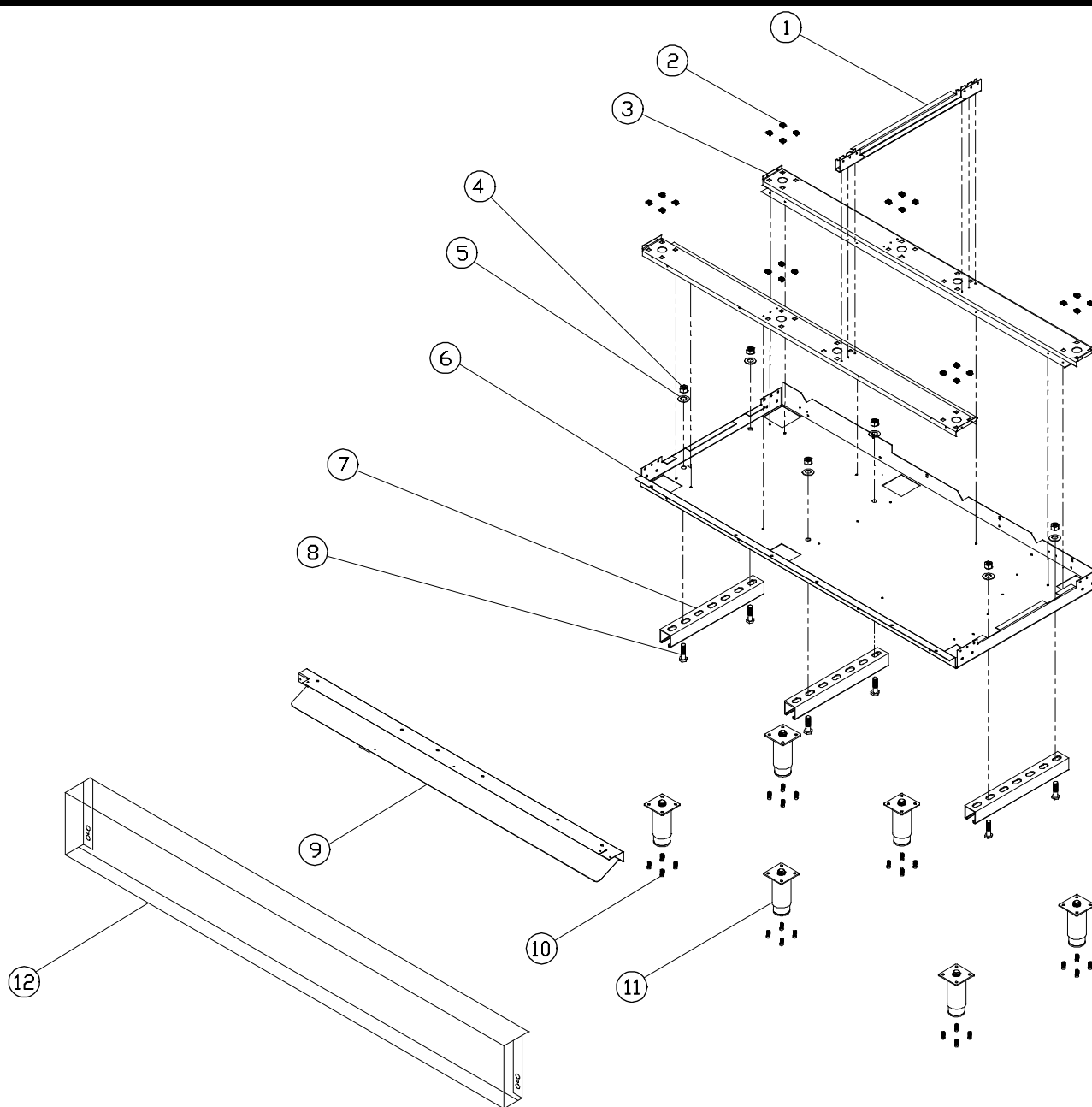
<sup>1</sup>Kit # 66995 includes outer door frame, trim and skin with outer door glass installed.

# ERDE48 18" Door Assembly



| Item   | Part #             | Description                       |
|--|--------------------|-----------------------------------|
| <b>1</b>   | 27337BP            | Assy, Inner Liner, 18" Door       |
| <b>2</b>   | 80108              | Insulation, Window Pack           |
| <b>3</b>   | 62228BP            | J-Trim Window Pack                |
| <b>4</b>   | 83425              | Thermocord, 3/16"                 |
| <b>5</b>   | 62229              | Window Pack, 18" Door             |
| <b>6</b>   | 72035              | Door Gasket, 18" Door             |
| <b>7</b>   | 27353BP            | Asy, Outer Liner, 18" Door        |
| <b>8</b>   | 80051              | Insulation Set, 18" Door          |
| <b>9</b>   | 82883              | Hinge, Nuova Star-Silver          |
| <b>10</b>  | 26904B             | Heat Shield, 18" Door             |
| <b>11</b>  | 36340              | Door Vent, 18"                    |
| <b>12</b>  | 62183              | Handle, 18" Epicure               |
| <b>13</b>  | 62691BK/CH/BR/CP   | End Cap, Handle                   |
| <b>14</b>  | 66993 <sup>1</sup> | Asy, Outer Door, 18" <sup>1</sup> |
| <sup>1</sup> Kit # 66993 includes outer door frame, trim and skin with outer door glass installed. |                    |                                   |

# ERDE48 Base Assembly



| Item | Part # | Description                    |
|------|--------|--------------------------------|
| 1    | 36066  | Base Middle Support            |
| 2    | 83398  | Nut, Retainer, 1/4-20          |
| 3    | 36054  | Base Leg Nut Support           |
| 4    | 83438  | 1/2-13 Hex, Nut                |
| 5    | 83439  | 1/2" Washer                    |
| 6    | 36053  | Base                           |
| 7    | 62537  | U-Shape Base Support           |
| 8    | 83437  | 1/2-13 x 1.5 Hex Bolt          |
| 9    | 36092  | Exhaust Deflector              |
| 10   | 83397  | Screw, Cap 1/4-20 x 5/8        |
| 11   | 700000 | Leg, 1/2" Epicure              |
| 12   | 26895  | Kick Panel                     |
| -    | 66813  | Plastic Leg Insert (Not Shown) |