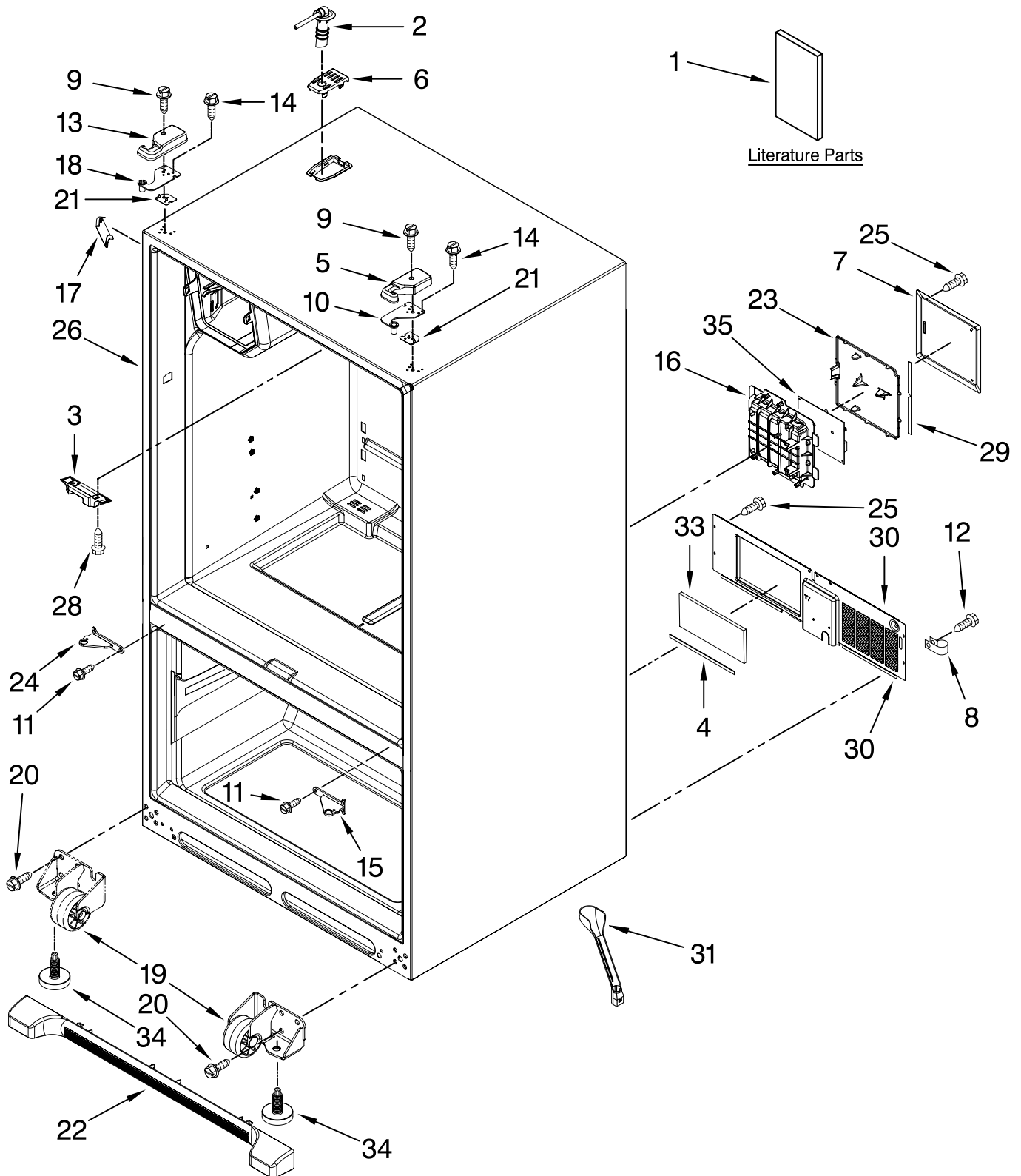


CABINET PARTS

For Models: EF36IWFSSS0
(Stainless Steel)

REFRIGERATOR



FOR ORDERING INFORMATION REFER TO PARTS PRICE LIST

CABINET PARTS

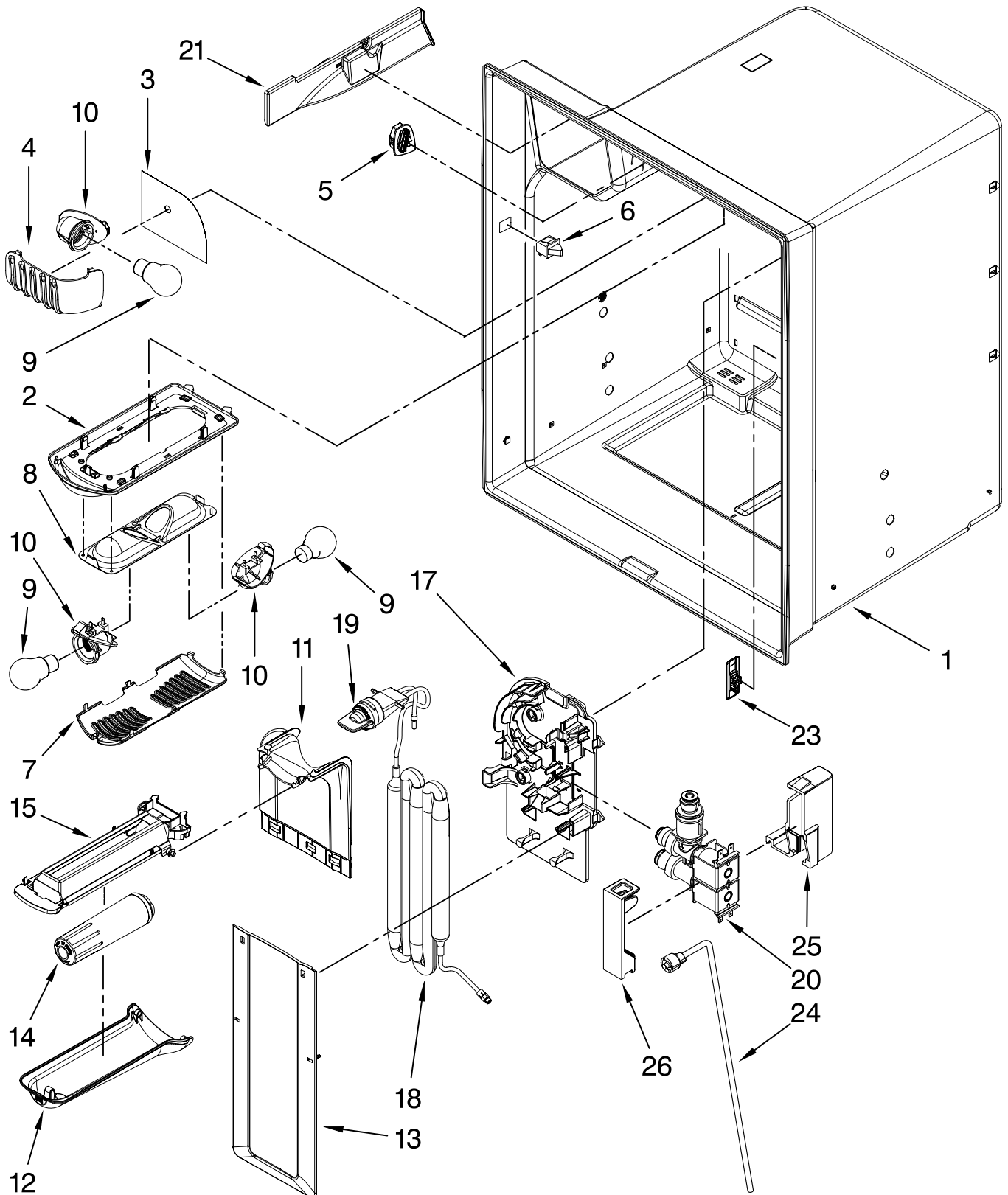
For Models: EF36IWFSS0
(Stainless Steel)

Illus. No.	Part No.	DESCRIPTION
1		Literature Parts
	W10238851	Tech Sheet
	W10281619	Use & Care Guide
	W10281611	Guide, Energy
2	12961401	Tube W/Waterline, Fill-IM
3	12698403	Block, Pivot
4	B5759655	Gasket, MC Back
5		Cover, Top Hinge (Right)
	12962302AP	Apollo Grey Cover, Fill Tube
6	12981401AP	Apollo Grey
7	12961602	Cover, Control Box
8	M0108105	Clamp, Tube
9	12992602	Screw, Hinge Cover
10	12963205ED	Hinge, Top Right
11	12992201	Screw, Center Hinge
12	12990511	Screw (3)
13		Cover, Top Hinge (Left)
	W10217488	Apollo Grey
14	12992403	Screw, Top Hinge
15		Hinge, Center (RT)
	13000002AP	Apollo Grey
16	12957601	Box, HV Control
17		Cover, Corner (2)
	12587703AP	Apollo Grey
18	12963204ED	Hinge, Top Left
19		Roller Assy. (Front)
	W10275849	Right
	W10275850	Left
20	12991302	Screw (8)
21		Shim, Top Hinge
	12999501	Left
	12999502	Right
22		Grille, Toe
	W10244558	Apollo Grey
23	12957701	Lid, HV Control
24		Hinge, Center (LT)
	13000001AP	Apollo Grey
25	12990702	Screw, Cover
26		Cabinet (Not A Servicable Part)
28	12990302	Screw, Block
29	12957801	Gasket, HV Control
30	W10270394	Cover, MC Back
31	W10210988	Tube, Drain
33	12820505	Fiber, Acoustic
34	W10141622	Brake, Foot
35	W10213583	Board, HV Control

FOR ORDERING INFORMATION REFER TO PARTS PRICE LIST

REFRIGERATOR LINER PARTS

For Models: EF36IWFSSS0
(Stainless Steel)



FOR ORDERING INFORMATION REFER TO PARTS PRICE LIST

REFRIGERATOR LINER PARTS

For Models: EF36IWFSSS0
(Stainless Steel)

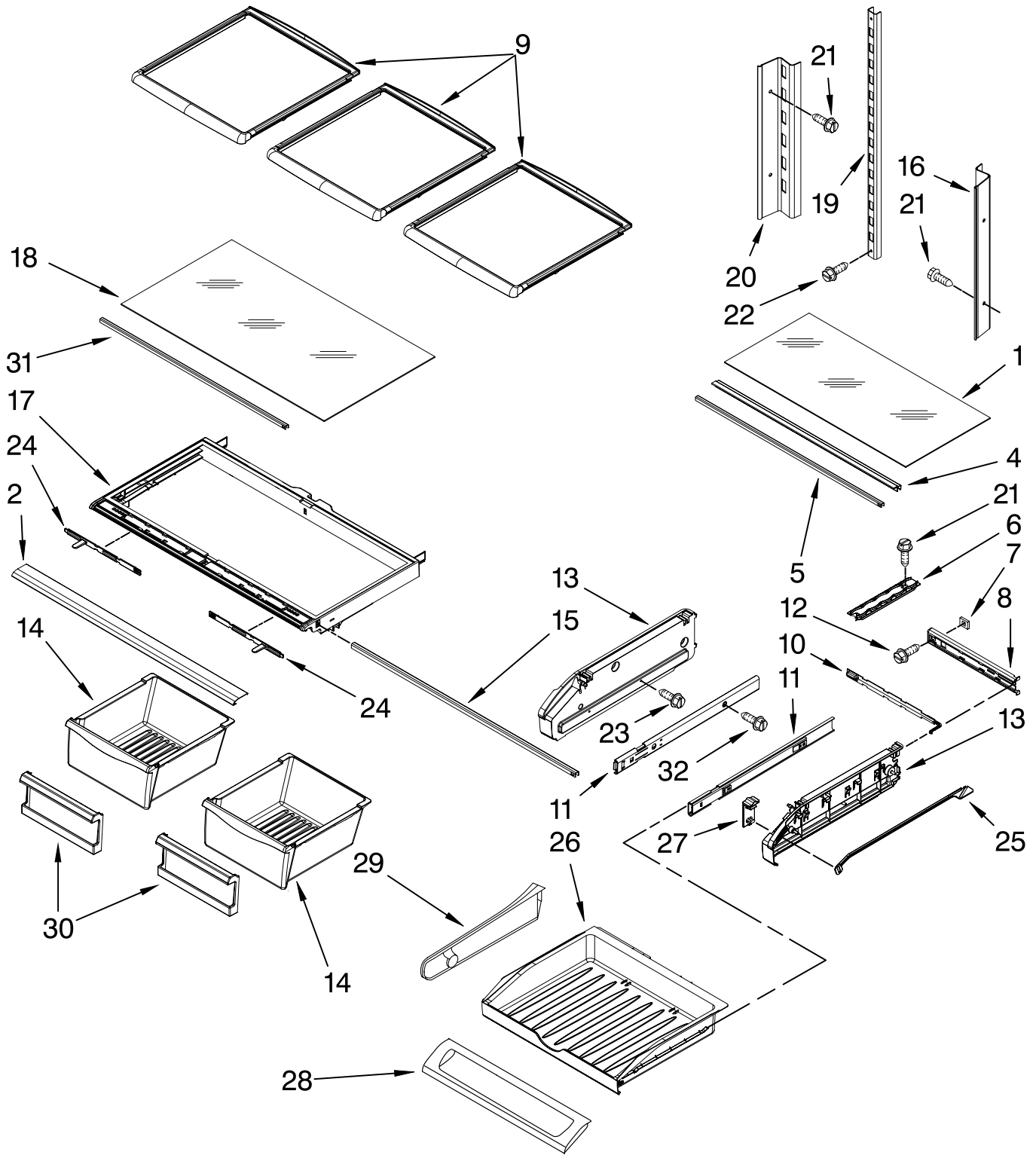
Illus. No.	Part No.	DESCRIPTION
1		Liner (Not A Serviceable Part)
2	12905803	Module, Light
3	12691605	Foil, Light
4	12921801	Cover, Light
5	13008201	Grille, Air
6	12466103	Switch, Light (2)
7	12905902	Cover, Light
8	12806601V	Housing, Light
9	W10194422V	Bulb, Light
10	12570701	Socket, Light
11	12960101	Cover, Water Tank (Upper)
12	12960301	Lid, Water Filter
13	12960001	Cover, Water Tank (Lower)
14	UKF8001AXX	Filter, Water
15	12955901	Bracket, Filter Base
17	12956001	Bracket, Water Tank & Valve
18	12956202	Water Tank & Head Assembly
19	12664501SP	Plug, Bypass
20	12956102	Valve, Water Inlet
21	13033601	Cover, Ice Box Harness
23	12987301	Cover, Chiller Vent
24	12962202	Waterline, Cabinet (W/Nut)
25	W10118193	Enclosure, Water Valve Connector
26	W10118194	Lid, Enclosure

Following Parts Not Illustrated

13017403 Harness-RC

SHELF PARTS

For Models: EF36IWFSS0
(Stainless Steel)



FOR ORDERING INFORMATION REFER TO PARTS PRICE LIST

SHELF PARTS

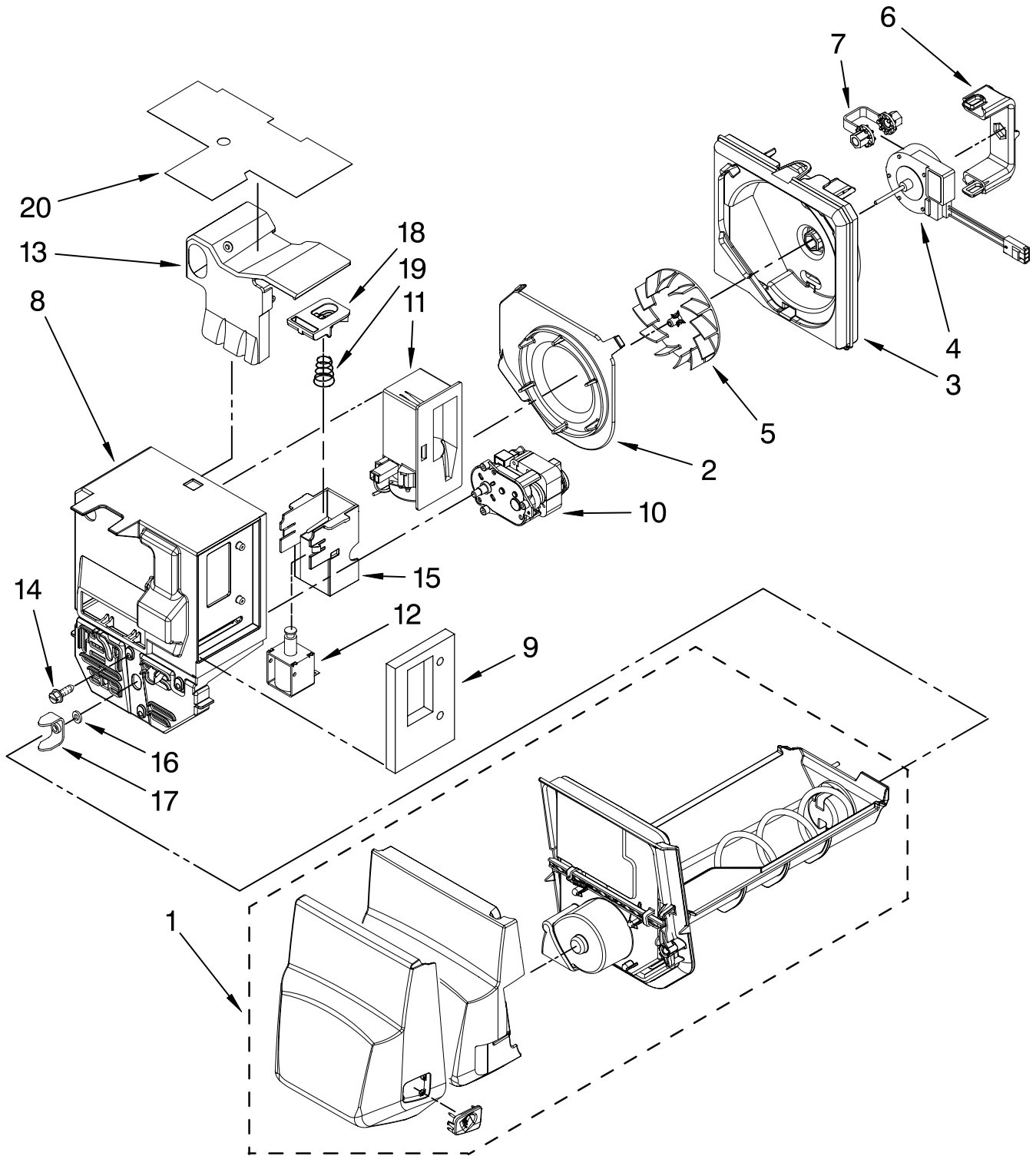
For Models: EF36IWFSS0
(Stainless Steel)

Illus. No.	Part No.	DESCRIPTION
1	12204829	Glass, Pantry
2	W10231488	Trim, Crisper
4	12655902SP	Support, Pantry(2)
5	12227305WD	Brace, Pantry (2)
6	12531901	Track, Pantry
7	12656901	Gasket, Pantry
8	12656202	Housing, Control
9	12463912	Shelf, Glide (3)
10	12655402	Slide, Temperature
11	13058101V	Glide, Drawer (2)
12	12990513	Screw
13		Endcap, Pantry
	12656105	Left
	12656024	Right
14	12531105SP	Pan, Crisper (2)
15	12227305WD	Support, Crisper Cover
16	W10251967	Ladder, Side RH
17	12531202SP	Frame, Crisper
18	12204821	Glass, Crisper Cover
19	W10273464	Ladder, Center
20	W10251966	Ladder, Side LH
21	12990513	Screw
22	12990515	Screw
23	12990512	Screw
24	12530805SP	Slide, Humidity Control
25	12655303	Bar, Temperature Control
26	12655702	Drawer, Pantry
27	12655204V	Knob, Temperature Control
28	12656813	Lid, Pantry Drawer Crisper Frame
29	12709301	Divider, Pantry
30	12643802SP	Front-Crisper Pan
31	12227304WD	Brace, Crisper
32	12990504	Screw

FOR ORDERING INFORMATION REFER TO PARTS PRICE LIST

MOTOR AND ICE CONTAINER PARTS

For Models: EF36IWFSS0
(Stainless Steel)



FOR ORDERING INFORMATION REFER TO PARTS PRICE LIST

MOTOR AND ICE CONTAINER PARTS

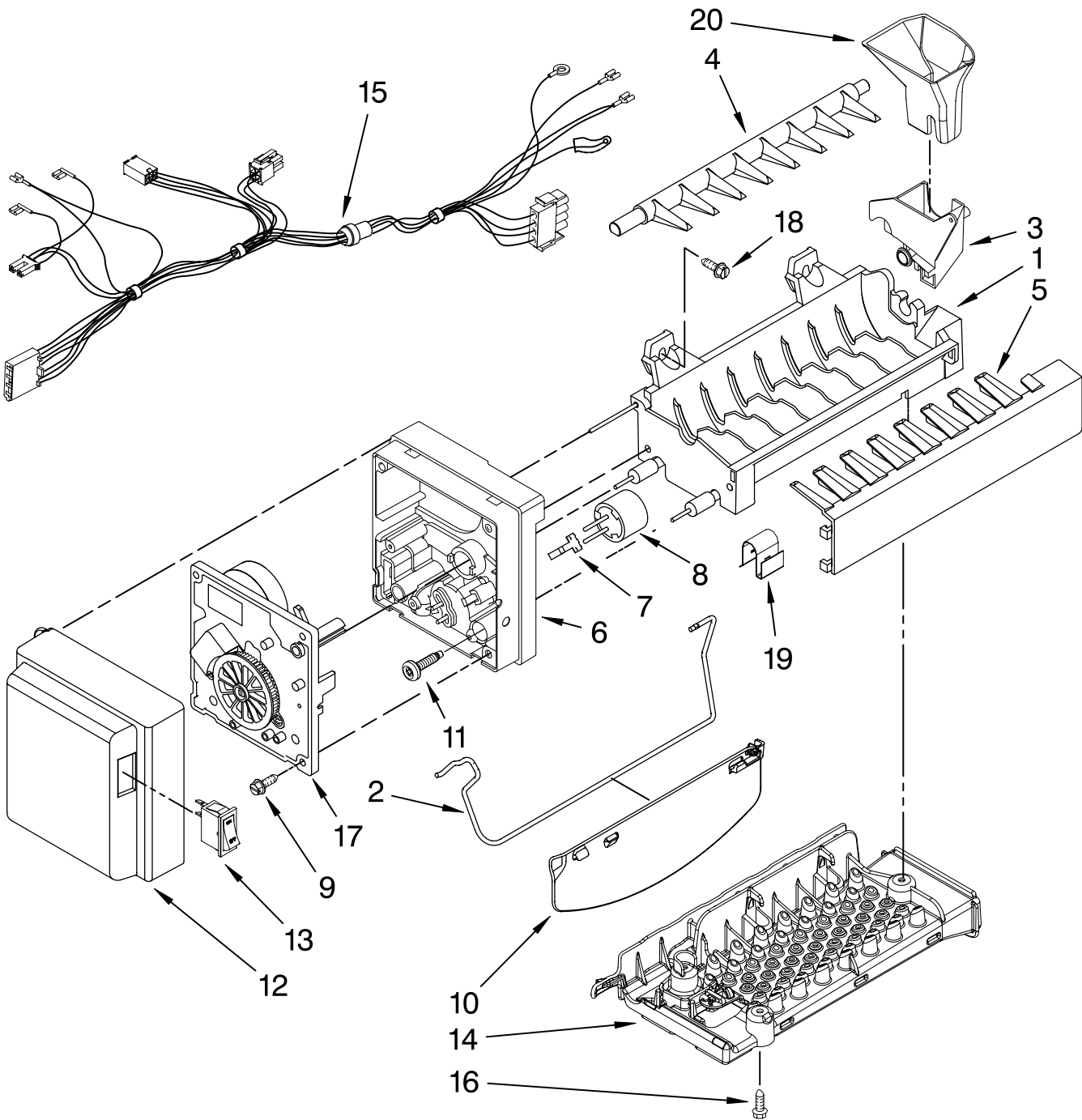
For Models: EF36IWFSSS0
(Stainless Steel)

Illus. No.	Part No.	DESCRIPTION
1	13012614	Ice Bin Assembly (Includes Auger)
2	W10121282	Inlet, Blower
3	W10121281	Scroll, Blower
4	W10162697	Motor, Fan
5	W10123444	Wheel, Blower
6	12956603SP	Clip, Fan Motor
7	W10151687	Grommet, Fan Motor
8	12958407SP	Divider, Ice Box
9	12920001SP	Gasket, Damper
10	12955405	Motor, Auger
11	W10127427	Damper, Control
12	13028201SP	Solenoid
13	W10118612	Liner, Divider
14	12990511	Screw (3)
15	12958602SP	Bracket, Solenoid
16	420107A700	Washer
17	63052A001	Yoke, Ice Dispenser
18	12958502SP	Yoke, Solenoid
19	12942401SP	Spring, Solenoid
20	W10142628	Foil, Ice Box

FOR ORDERING INFORMATION REFER TO PARTS PRICE LIST

ICEMAKER PARTS

For Models: EF36IWFSSS0
(Stainless Steel)



FOR ORDERING INFORMATION REFER TO PARTS PRICE LIST

ICEMAKER PARTS

For Models: EF36IWFSS0
(Stainless Steel)

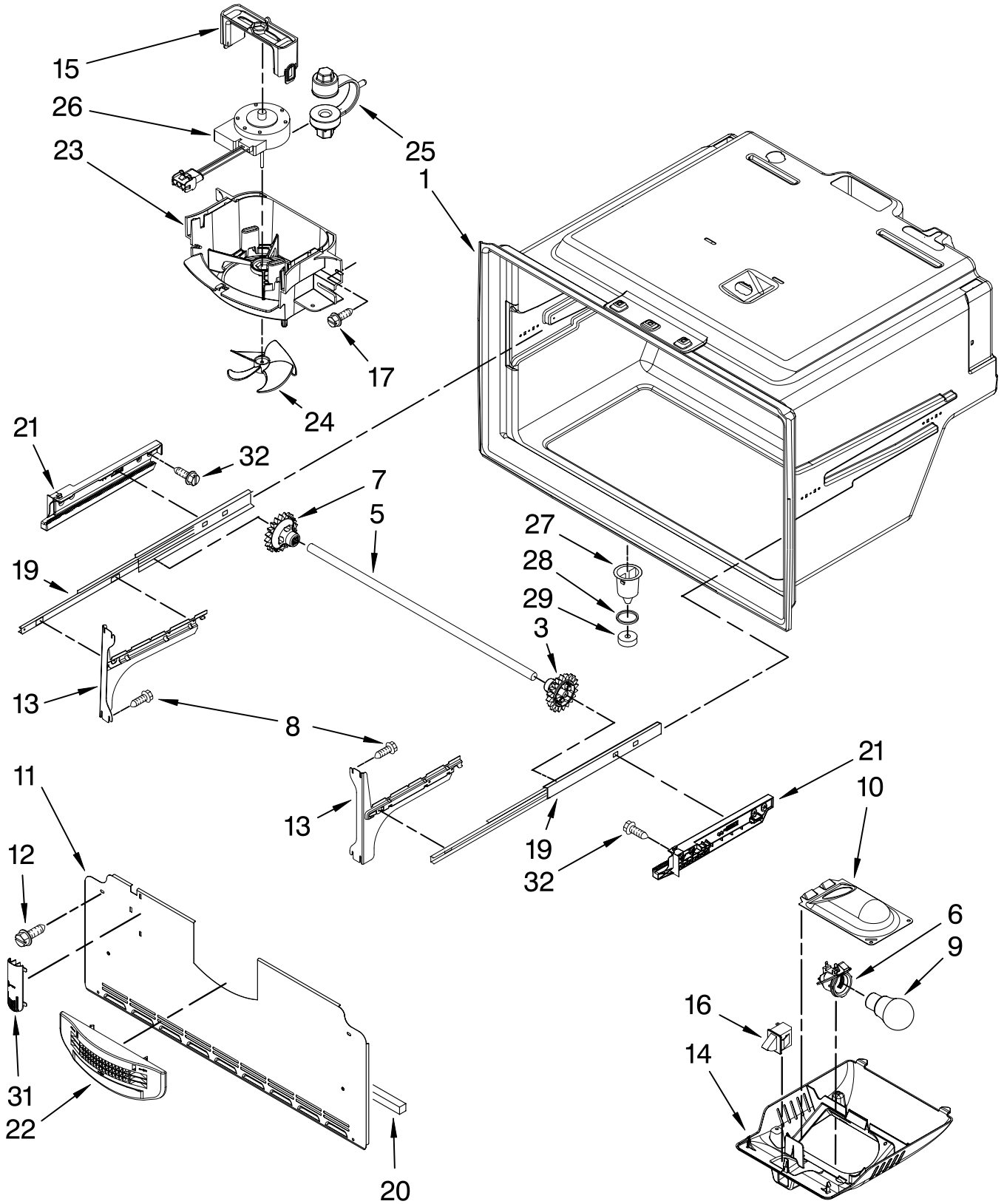
Illus.	Part	
No.	No.	DESCRIPTION
1	W10122527	Mold & Heater Assembly (Also Order 542638 Grease)
2	W10175514	Arm, Shutoff
3	628515	Cup, Fill
4	627843	Ejector
5	2182124	Ice Stripper
6	2194712	Support, Housing
7	2315522	Retainer, Thermostat
8	628397	Thermostat (Also Order 542369 Cement)
9	489276	Screw (3)
10	W10121440	Extension, Shutoff Arm
11	8533917	Screw (2)
12	W10121444	Cover
13	2313326	Switch, On-Off
14	W10121269	Impinger Assy.
15	W10123395	Harness, Icemaker
16	12990511	Screw, Impinger
17	W10223929	Module Assembly
18	489276	Screw (3)
19	628379	Clip
20	W10121434	Insert, Fill Cup
100	W10190981	Icemaker Assembly

Following Parts Not Illustrated

10244904SP Coupling

FREEZER LINER PARTS

For Models: EF36IWFSS0
(Stainless Steel)



FREEZER LINER PARTS

For Models: EF36IWFSSS0
(Stainless Steel)

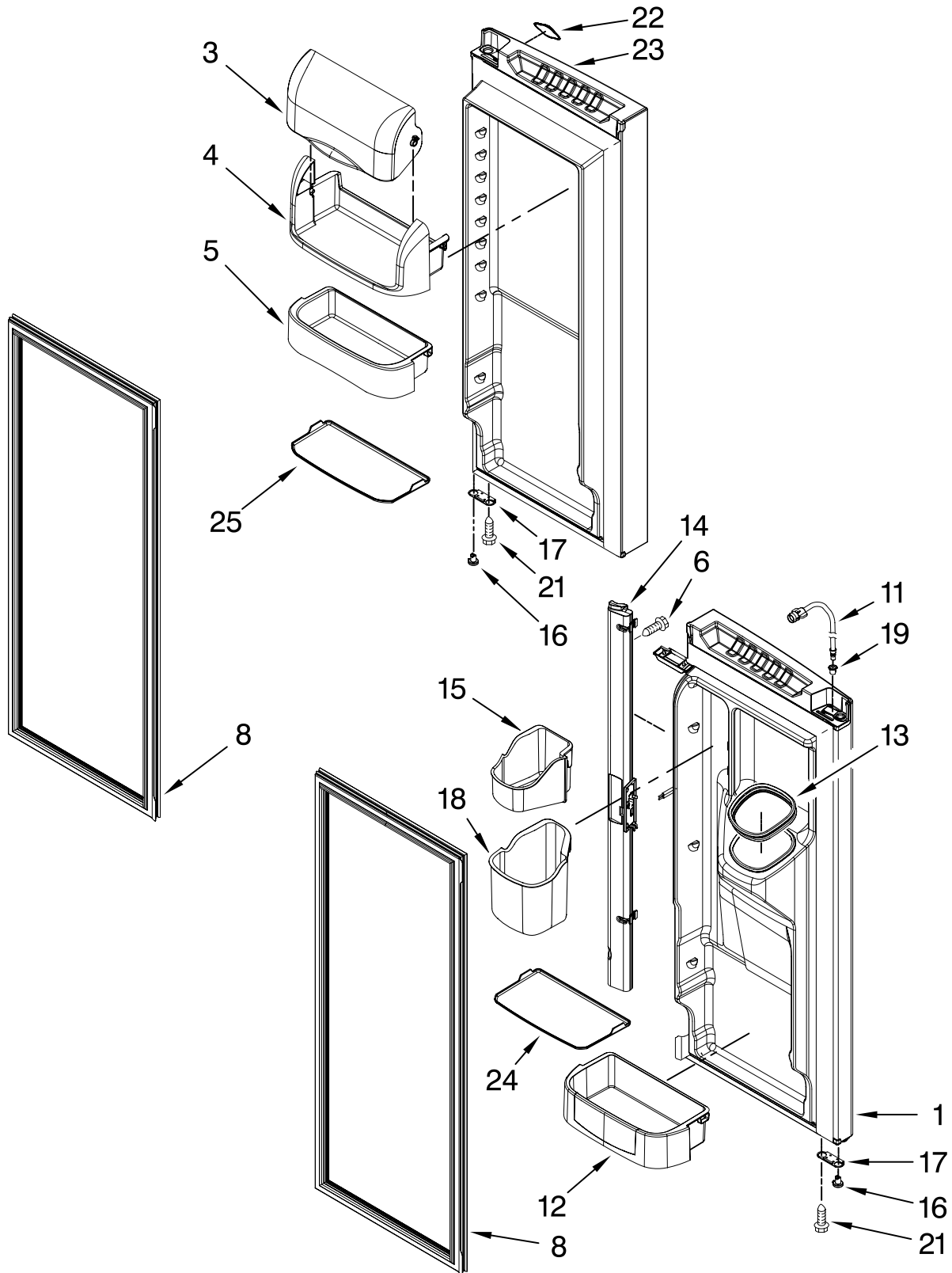
Illus. No.	Part No.	DESCRIPTION
1		Liner (Not A Serviceable Part)
3	12002497	Gear (Left)
5	12812903WD	Shaft, Rack
6	12570701	Socket, Light
7	12002497	Gear, (Right)
8	12990521	Screw, Bracket
9	W10194422	Bulb, Light
10	12476401SP	Housing, Light
11	12935801	Cover, Evap
12	12990511	Screw
13		Bracket, Door Slide
	W10119064	Left
	W10119295	Right
14	13027902SP	Module, Freezer Light
15	12956601	Clip, Fan Motor
16	12466111SP	Switch, Rocker
17	12990504	Screw, Fan Shroud To Basket
19	13055901	Slide, Drawer (2)
20	A3189396	Gasket, Foam
21		Adapter
	W10261196	Left
	W10261197	Right
22	12959901	Grille, Air
23	12951401	Shroud, Evap Fan
24	12986101	Blade, Fan (Evaporator)
25	12951101	Grommet, Fan Motor (2)
26	W10162809	Motor, Evaporator Fan
27	D7753903	Funnel, Drain
28	M0500703	Seal, O Ring
29	B8381501	Gasket, Drain Tube
31	12815301	Cover, Thermistor
32	12990501	Screw, Adapter

Following Parts Not Illustrated

12952005SP Harness-FZ Light

REFRIGERATOR DOOR PARTS

For Models: EF36IWFSS0
(Stainless Steel)



FOR ORDERING INFORMATION REFER TO PARTS PRICE LIST

REFRIGERATOR DOOR PARTS

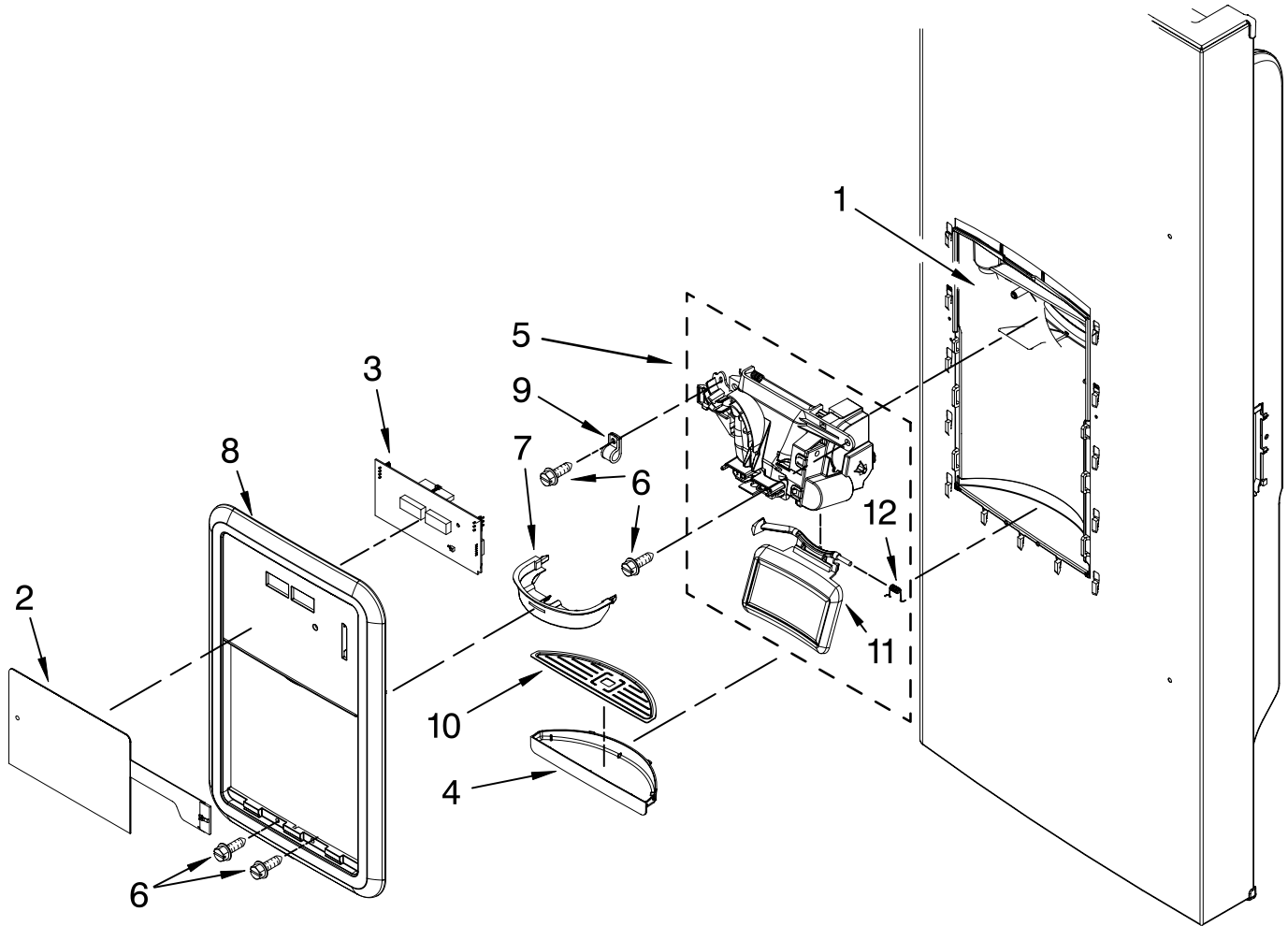
For Models: EF36IWFSSS0
(Stainless Steel)

<u>Illus.</u> <u>No.</u>	<u>Part</u> <u>No.</u>	<u>DESCRIPTION</u>
1		Door, Left
	12978085SQ	Stainless
3	12804701SP	Door, Dairy
4	12369502SP	Tray, Dairy
5	12849104SP	Bin, Shelf (Medium)
6	12990204	Screw
8		Gasket, Door
	W10163991	Apollo Grey
11	12962106	Waterline, Door
12	12918402SP	Bin, Shelf (Gallon)
13	W10296799	Seal, Ice Chute
14		Mullion, Door
	12722813AP	Apollo Grey
15	12977401	Bucket, Dispenser (Upper)
16		Closure, Door
	12028505AP	Apollo Grey
17		Stop, Door
	12968202AP	Apollo Grey
18	12977501	Bucket, Dispenser (Lower)
19	12996601	Clip, Bushing Wire (Left Door)
21	12990521	Screw
22		Nameplate
	W10046610	(Stainless)
23		Door, Right
	12978086SQ	Stainless
24	12567326	Gripper-Bucket-Gal
25	12567311SP	Gripper-Bucket-Med

FOR ORDERING INFORMATION REFER TO PARTS PRICE LIST

DISPENSER FRONT PARTS

For Models: EF36IWFSSS0
(Stainless Steel)



Illus. No.	Part No.	DESCRIPTION
1		Housing, Dispenser (Not Serviced)
2	W10280212	Dispenser Keyboard
3	13053103SP	Board, L.V.
4	W10187366	Sump, Dispenser Stainless

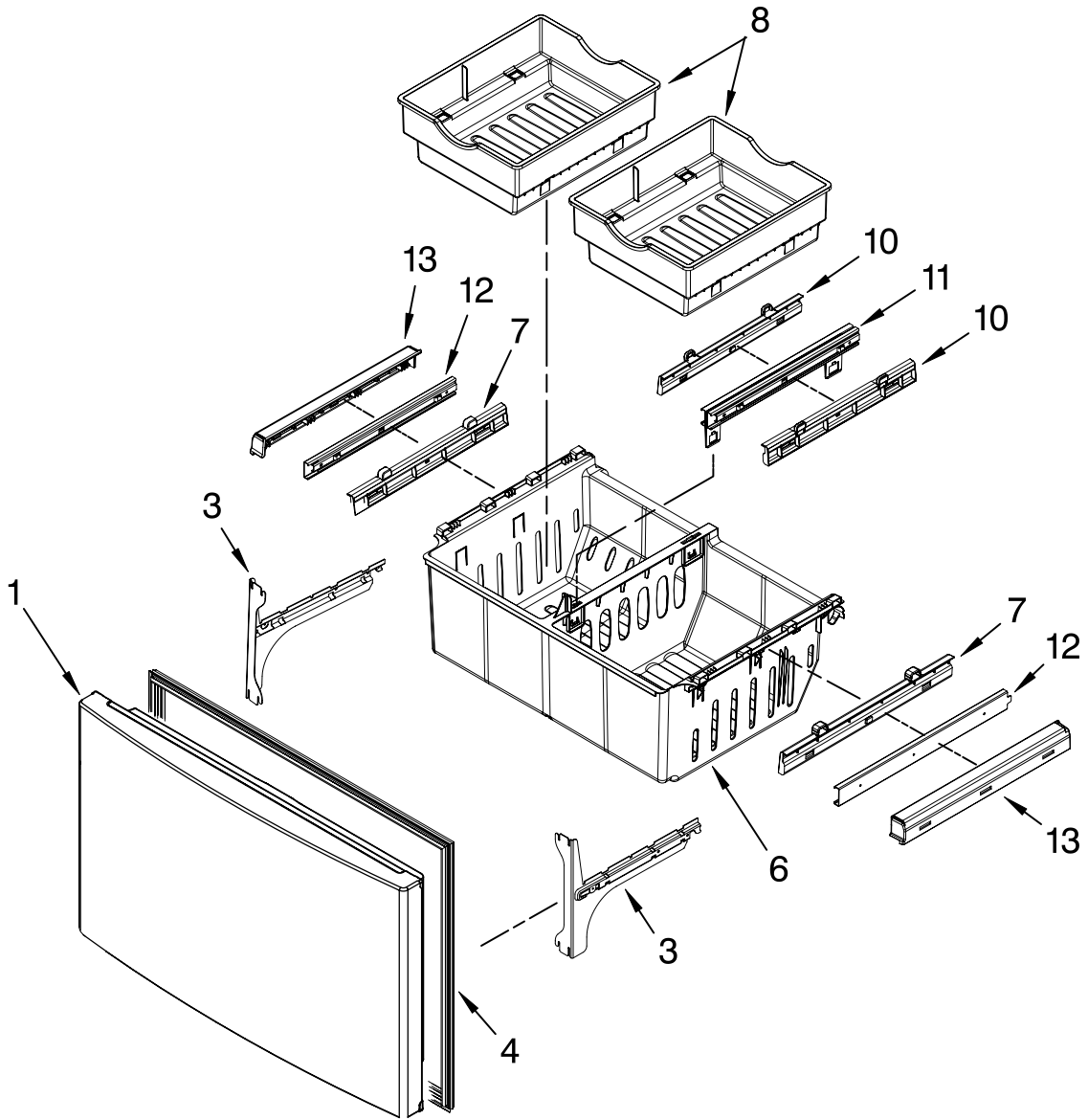
Illus. No.	Part No.	DESCRIPTION
5		Chute, Ext/Yoke (Includes Switch)
	13005707	Midnight Grey (Dark)
6	12990513	Screw
7	12958301	Ring, Target

Illus. No.	Part No.	DESCRIPTION
8	W10188790	Facade, Dispenser Apollo Grey
9	M0108106	Clamp, Tube
10	W10187370	Grille, Sump
11	W10185233	Yoke/Pad Assy. Midnight Grey (Dark)
12	12565502	Spring

FOR ORDERING INFORMATION REFER TO PARTS PRICE LIST

FREEZER DOOR PARTS

For Models: EF36IWFSS0
(Stainless Steel)



Illus. No.	Part No.	DESCRIPTION
1	12977833SQ	Freezer Door Stainless
3	W10119064	Bracket, Door Slide Left
	W10119295	Right

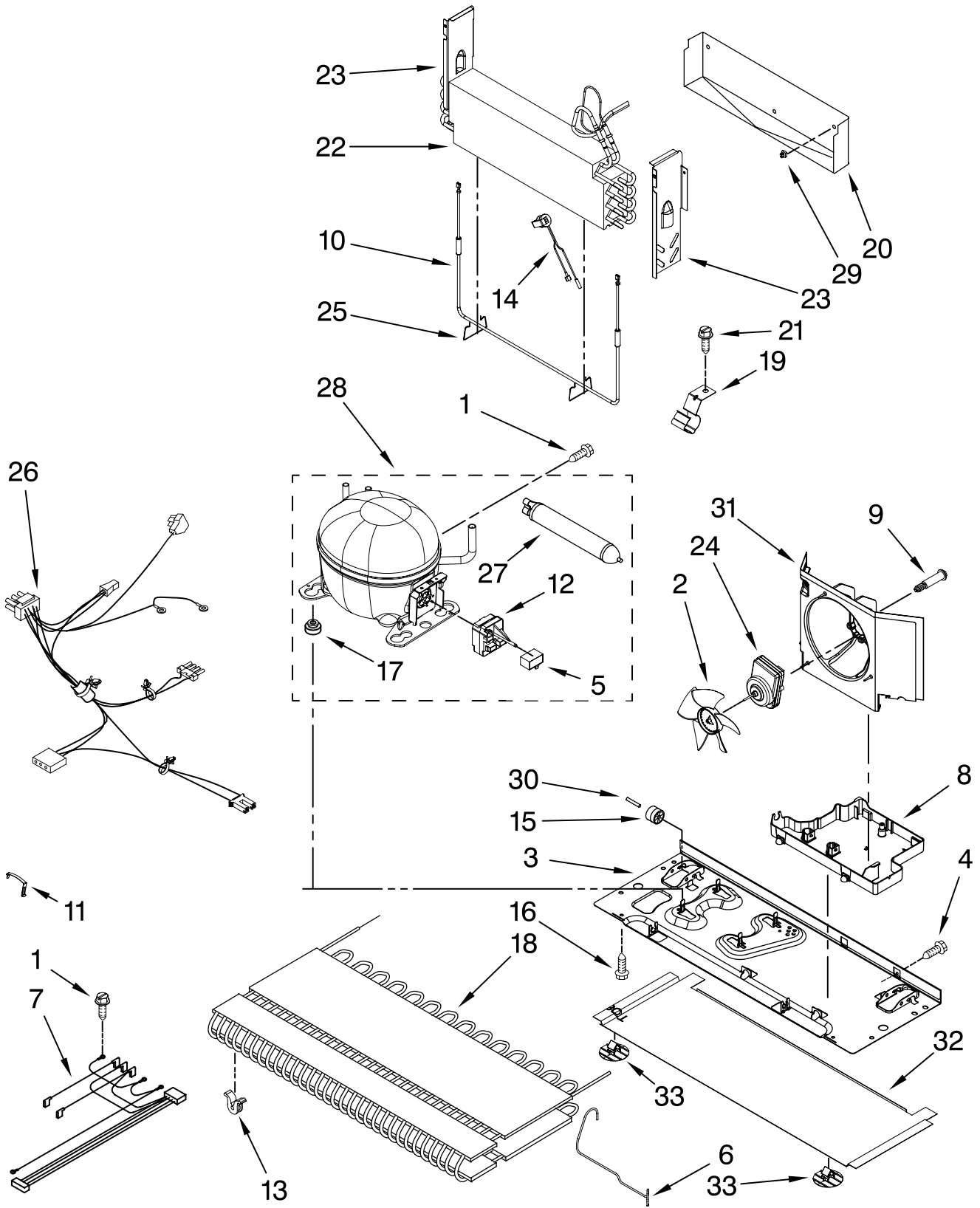
Illus. No.	Part No.	DESCRIPTION
4	W10164045	Gasket, Door Apollo Grey
6	13002801SP	Bin, Lower
7	13002603SP	Adapter, Bin (Outer)
8	13002402	Bin, Upper

Illus. No.	Part No.	DESCRIPTION
10	13002604SP	Adapter, Bin (Inner)
11	12969702	Bracket/Glide Assembly
12	12925102	Glide, Upper
13	13002702SP	Retainer, Glide Right
	13002701SP	Left

FOR ORDERING INFORMATION REFER TO PARTS PRICE LIST

UNIT PARTS

For Models: EF36IWFSS0
(Stainless Steel)



FOR ORDERING INFORMATION REFER TO PARTS PRICE LIST

UNIT PARTS

For Models: EF36IWFSSS0
(Stainless Steel)

Illus. No.	Part No.	DESCRIPTION
1	12992301	Screw
2	12825803	Blade, Fan
3	W10210985	Basepan
4	12990511	Screw
5	2264017	Capacitor
6	W10217747	Tube, Discharge
7	W10257095	Harness, Evap. Heater (Incl. Thermistor)
8	W10296785	Pan, Drain
9	W10216919	Screw, Shoulder
10	12729123	Heater, Defrost
11	W10204187	Strap, Bale
12	W10197428	Start Device
13	W10137529	Grommet, Cond (4)
14	12639311SP	Thermostat, Defrost
15	12477102	Roller (2)
16	12992101	Screw
17	10835903SP	Grommet (4)

Illus. No.	Part No.	DESCRIPTION
18	W10135026	Condenser
19	10547003	Clip, Drier
20	W10292803	Tray, Drip
21	12990701	Screw
22	12959803	Evaporator
23		Dam
	12963102SP	Right Side
	12963002SP	Left Side
24	W10239053	Motor, Fan
25	10428101	Clip, Heater
26	W10234027	Harness, Unit with Power Cord
27	W10143759	Drier
28	W10134623	Compressor (Includes items 11,12,17,27)
29	10623002	Clip, Evaporator
30	12477202	Axle, Roller (2)
31	W10189184	Shroud
32	W10206338	Extension-Basepan
33	W10206339	Fastener-Basepan

Illus. No.	Part No.	DESCRIPTION
Following Parts Not Illustrated and Optional Parts Not Included		

- 978025 Valve, Access (1/4")
- 978026 Valve, Access (5/16")
- 978027 Valve, Access (3/8")
- 978028 Valve, Access (1/2")
- 978029 Valve, Access (5/8")
- 978030 Valve, Access (3/4")
- 876764 Valve, Access (3/16")

REFRIGERANT CHARGE

5.25 Ozs.
(R-134A)

OPTIONAL PARTS (NOT INCLUDED)

For Models: EF361WFSS0
(Stainless Steel)

Illus. No.	Part No.	DESCRIPTION	Illus. No.	Part No.	DESCRIPTION	Illus. No.	Part No.	DESCRIPTION
Parts Not Illustrated and Optional Parts (Not Included)			Miscellaneous			TORX SCREW WRENCH		
Customer Touch-Up Material			212643		Sealer, Gum (4 Feet)		1117510	Torx Key
	*350942	Primer, White (13 Oz. Spray Can)	479502		Tape, Vinyl (3/4 x 108")			
	*350939	Enamel, Black (13 Oz. Spray Can)	876370		Kit, Insulation (2 Pcs. x 3" x 24" X 48")			
	*350930	Enamel, White (13 Oz. Spray Can)	876305		Kit, Insulation (14 Pcs. x 3" x 24" x 48")			
	22002901	Enamel, Bisque (12 OZ. Spray Can)	978941		Insulation, Fiberglass (63-1/2" x 35-1/2" X 2-5/8)			
	22002900	Enamel, Bisque (.6 OZ. Bottle)	876029		Kit, Foam Slab (30" x 32-1/2" x 1-1/2")			
	72017	Brush Touch-Up Kit (White)	505587		Sealer, Mastic (1 Qt.)			
	72032	Brush Touch-up kit (Black)	503695		Cork, Sealer (1/4 Pound)			
<p>*Important: The spray paint is not to be used where the paint may make contact with the door gaskets.</p>			20000008		Cleaner, Stnls Steel Magic			
			542638		Grease, Silicone (1/2 Oz.)			
<p>Refinishing Material</p>			542639		Cement, Alumilastic (1-1/4 Oz.)			
			606755		Bag, Insulation (36-5/8" x 46")			
	799340	Enamel, Black (1 Qt. Uncut)	833938		Kit, Terminal Connector			
	799344	Enamel, White (1 Qt. Uncut)	67007112		Ice Container Assembly			

FOR ORDERING INFORMATION REFER TO PARTS PRICE LIST