

The Dacor logo is written in a bold, italicized, lowercase sans-serif font. The letters are black with a slight white outline, giving it a three-dimensional appearance. A registered trademark symbol (®) is located at the top right of the word.

**dacor**®

*"A reflection of your good taste."*

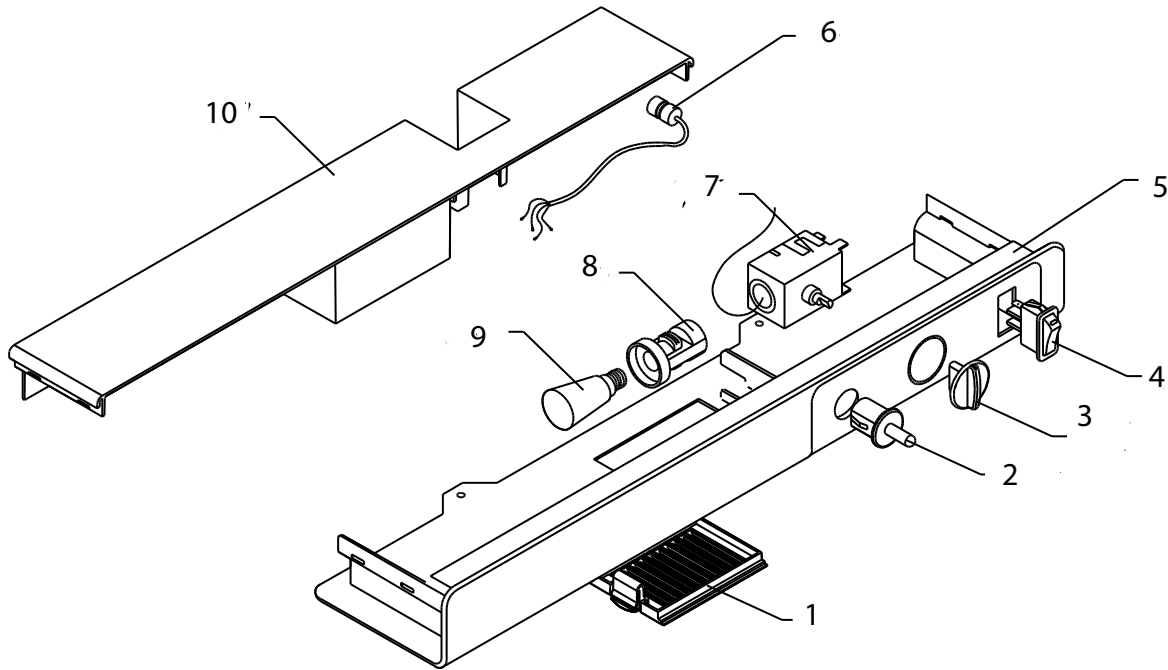
The background of the page is a faded, grayscale image of a kitchen. In the center is a white Dacor gas range with a white bowl on the cooktop. To the left, there are various kitchen items like a bowl of lemons and a bottle. To the right, there's a sink area with a dish rack. The overall scene is a typical kitchen setting.

**PARTS  
CATALOG**

## **Beverage and Wine Cooler**

<b>EBC</b>	<b>EWC</b>
Interior	Interior
Door	Door
Control	Control
Sealed System	Sealed System

# EBC - Control

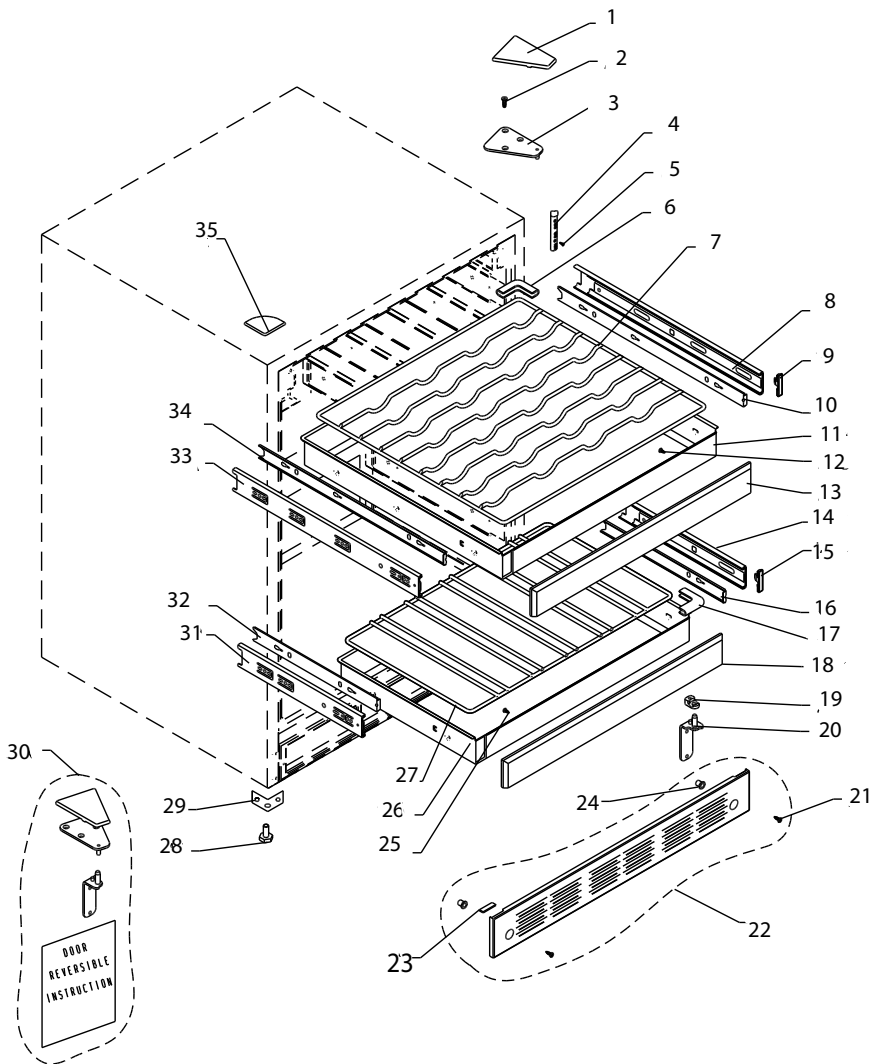


1	66061	BULB SHIELD
2	66144	PLUNGER SWITCH
3	66146	THERMOSTAT KNOB
4	66145	SWITCH
5	66148	CONTROL HOUSING
6	66153	HARNESS TEMP CONTROL
7	76003	CONTROL TEMPERATURE
8	66057	SOCKET LAMP
9	66059	BULB
10	66147	CONTROL HOUSING COVER

**dacor**

Technical Service 1440 Bridge Gate Drive Diamond Bar CA 91765 ph 800-353-2267 Fax 909-612-1702

# EWC - Interior

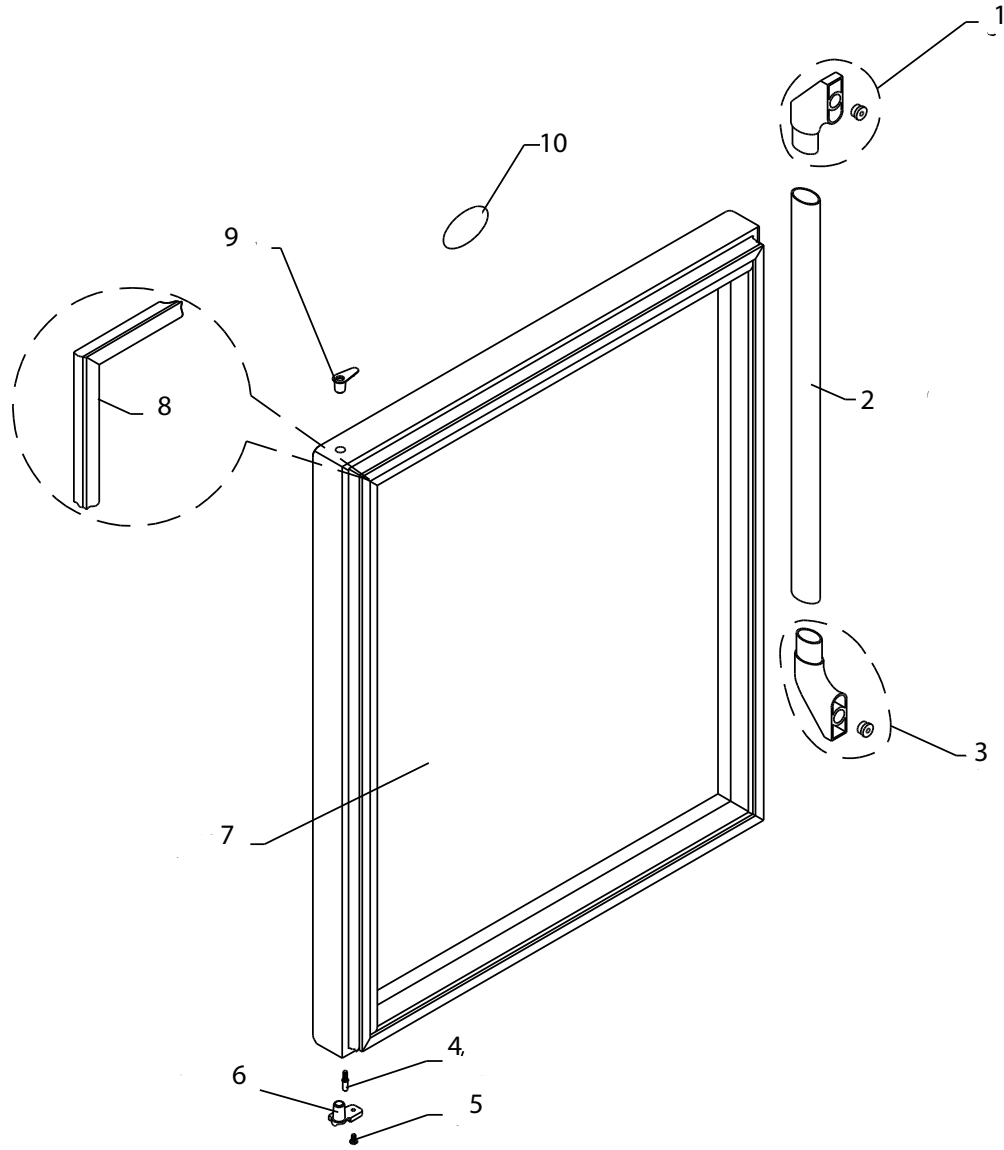


1	66923	COVER HINGE SUPPORT RH
2	66067	UPPER HINGE SCREW
3	66065	UPPER HINGE RIGHT
4	66058	TEMP.CONTROL BULB COVER
5	66060	SCREW BULB COVER
6	66412	CORNER PIECE
7	66970	BOTTLE RACK
8	66793	INNER-LINER GUIDE
9	66413	GUIDE FRONT
10	66794	FRAME GUIDE
11	66511	BOTTLE SHELF FRAME
12	66792	SCREW FRAME FRONT
13	66655	FRAME FRONT
14	66795	INNER-LINER GUIDE SHORT
15	66413	GUIDE FRONT
16	66796	FRAME GUIDE SHORT
17	66412	CORNER PIECE
18	66655	FRAME FRONT
19	66070	CAM RISER
20	66068	HINGE SUPPORT-LOWER
21	66808	KICK PLATE SCREW BK
22	66797	KICK PLATE KIT BK
23	66828	KICK PLATE FRONT BK
24	66921	KICK PLATE SPACER
25	66792	SCREW FRAME FRONT
26	66510	BOTTLE SHELF FRAME
27	66520	BOTTLE RACK SHORT
28	66404	LEVELING LEG REAR
29	66405	LEVELLING LEG SUPPORT
30	66066	REVERSE DOOR HINGE KIT
31	66795	INNER-LINER GUIDE SHORT
32	66796	FRAME GUIDE SHORT
33	66793	INNER-LINER GUIDE
34	66794	FRAME GUIDE
35	66069	HINGE COVER

**dacor**

Technical Service 1440 Bridge Gate Drive Diamond Bar CA 91765 ph 800-353-2267 Fax 909-612-1702

# EWC - Door

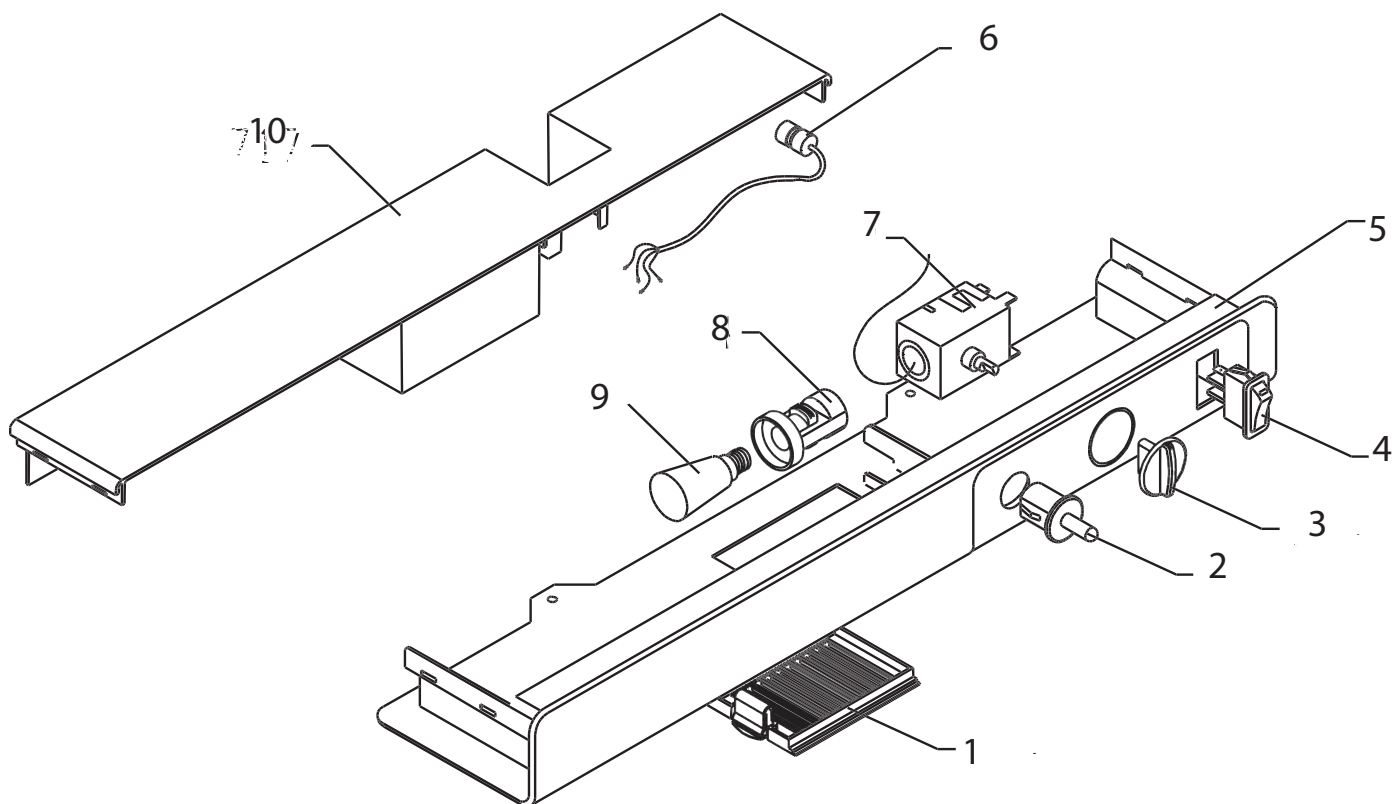


1	76051	Handle Support ASM Upper
2	76052	Handle Tube
3	76053	Handle Support ASM Lower
4	66922	Pin
5	66830	Screw, Door Hinge
6	66062	Door Hinge Right
7	66064	Glass Door
8	66063	Magnetic Gasket
9	66935	Hinge Fill Plug
10	72510 BR, CH, CP	Logo

**dacor**

Technical Service 1440 Bridge Gate Drive Diamond Bar CA 91765 ph 800-353-2267 Fax 909-612-1702

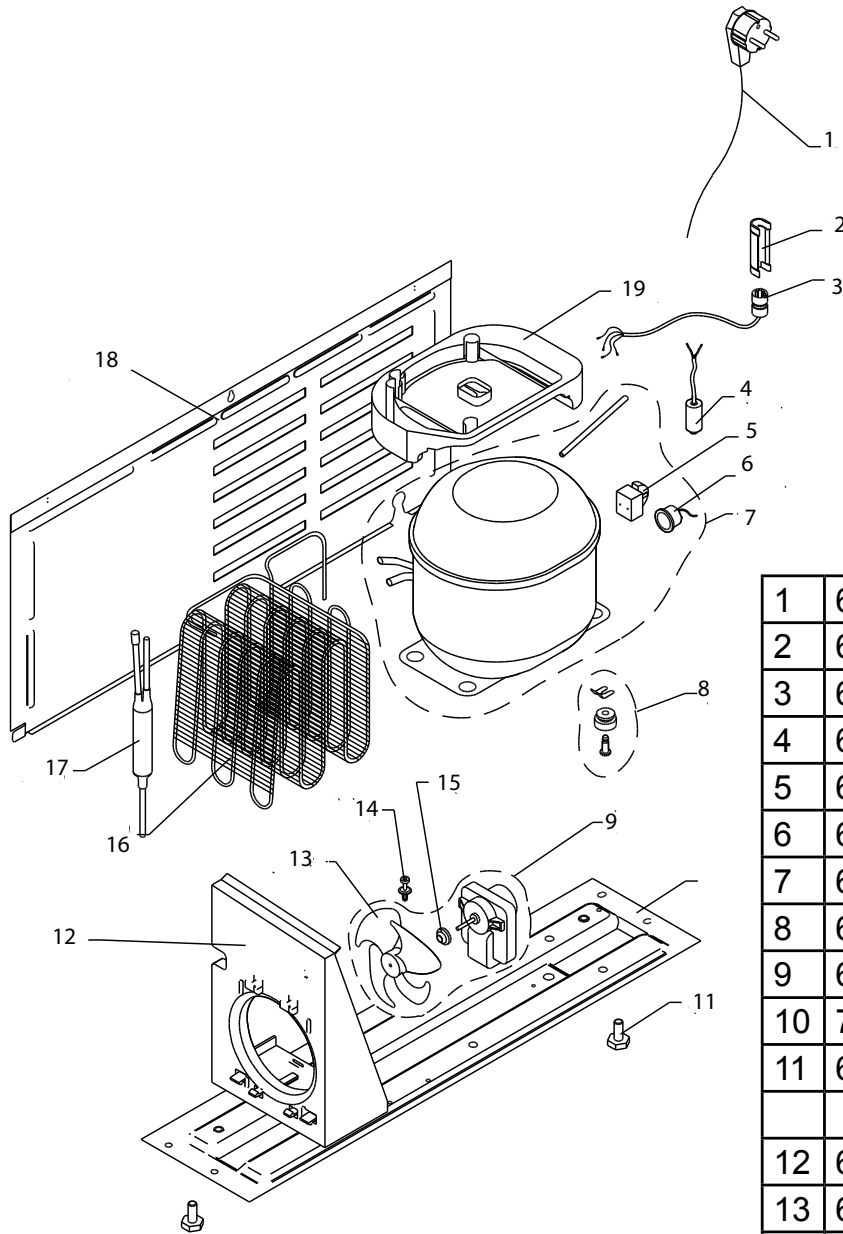
# EWC Controls



1	66061	BULB SHIELD
2	66144	PLUNGER SWITCH
3	66146	THERMOSTAT KNOB
4	66145	SWITCH
5	66148	CONTROL HOUSING
6	66153	HARNESS TEMP CONTR
7	66154	CONTROL TEMPERATURE
8	66057	SOCKET LAMP
9	66059	BULB
10	66147	CONTROL HOUSING COVER

**dacor**<sup>®</sup>

# EBC - Sealed System

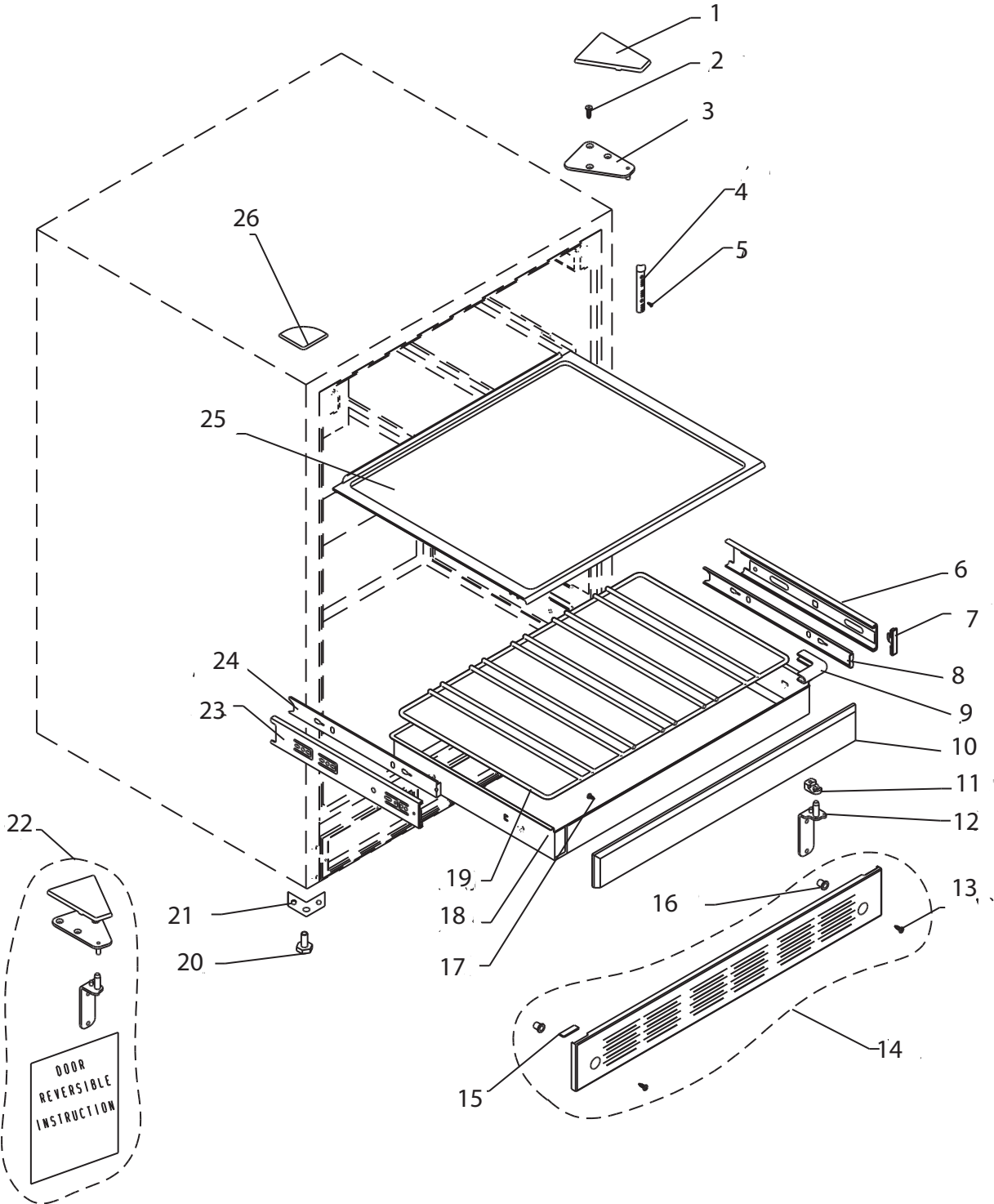


1	66074	POWER CORD
2	66126	CONNECTOR CLAMP
3	66071	HARNES ASM.COMP
4	66142	CAPACITOR
5	66141	RELAY START
6	66127	OVERLOAD
7	66072	COMPRESSOR REPL. KIT
8	66073	COMPRESSOR MTG KIT
9	66085	MOTOR COND. FAN KIT
10	76037	COMPRESSOR SUPPORT
11	66404	LEVELING LEG REAR
12	66076	COND. FAN HOUSING
13	66080	FAN BLADE COND. MOTOR
14	66079	SCREW RIVET
15	66084	FAN RUBBER
16	66078	CONDENSER
17	66829	DRYER FILTER ASM
18	66143	COVER ACCESS
19	66077	DRAIN PAN

**dacor**

Technical Service 1440 Bridge Gate Drive Diamond Bar CA 91765 ph 800-353-2267 Fax 909-612-1702

# Beverage Center Interior

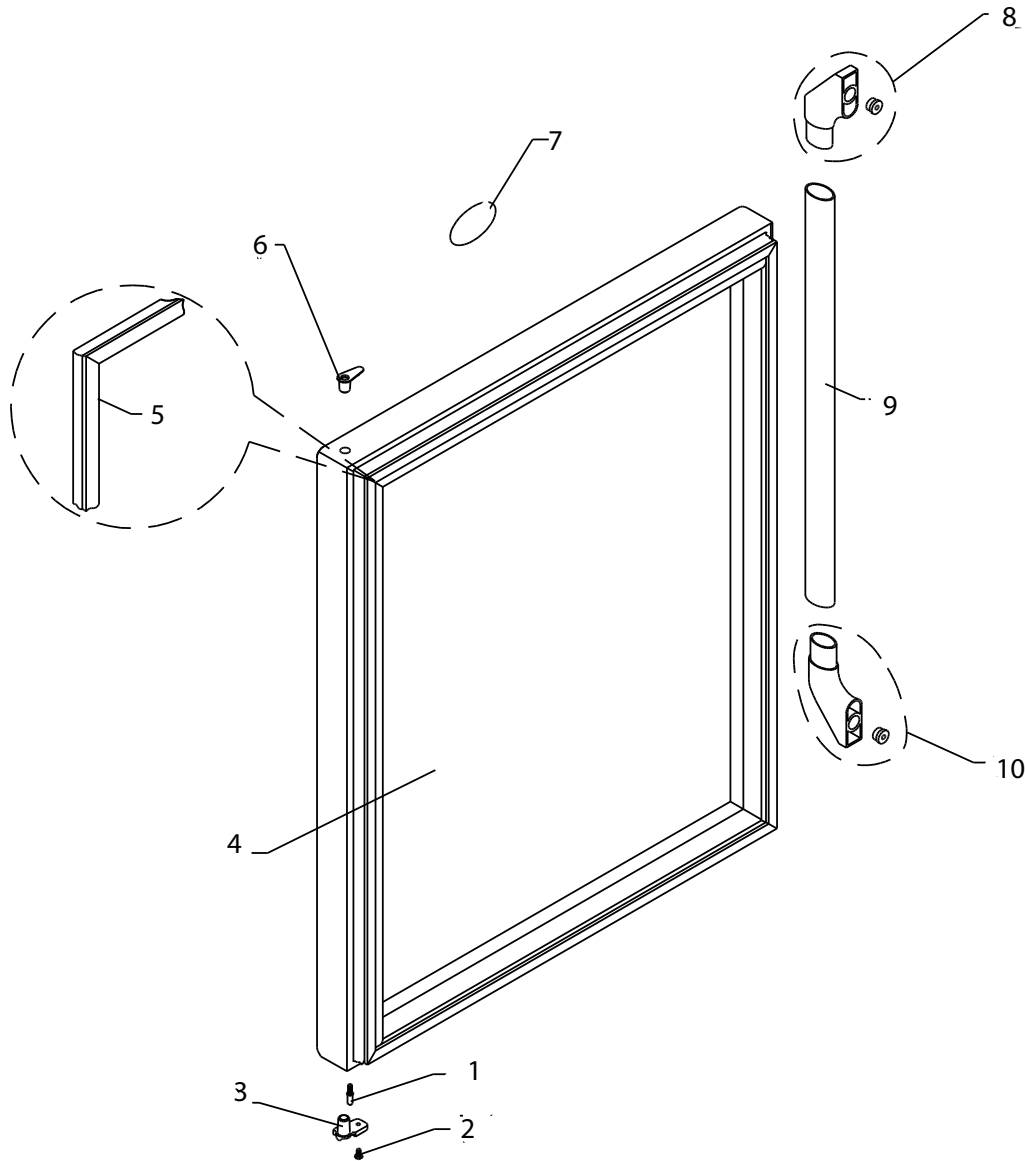


# Beverage Center Interior

1	66923	COVER HINGE SUPPORT RH
2	66067	UPPER HINGE SCREW
3	66065	UPPER HINGE RIGHT
4	66058	TEMP.CONTROL BULB COVER
5	66060	SCREW, BULB COVER
6	66795	INNER-LINER GUIDE SHORT
7	66413	GUIDE FRONT
8	66796	FRAME GUIDE SHORT SLID
9	66412	CORNER PIECE
10	76009	FRAME FRONT
11	66070	CAM RISER
12	66068	HINGE SUPPORT-LOWER
13	66808	KICK PLATE SCREW BK
14	76011	KICK PLATE KIT BK
15	66828	KICK PLATE FRONT BK
16	66921	KICK PLATE SPACER
17	66792	SCREW, FRAME FRONT
18	76017	BOTTLE SHELF FRAME
19	66520	BOTTLE RACK SHORT
20	66404	LEVELING LEG REAR
21	66405	LEVELING LEG SUPPORT
22	66066	REVERSE DOOR HINGE KIT
23	66795	INNER-LINER GUIDE SHORT
24	66796	FRAME GUIDE SHORT SLID
25	76004	GLASS SHELF
26	66069	HINGE COVER



# EBC - Door

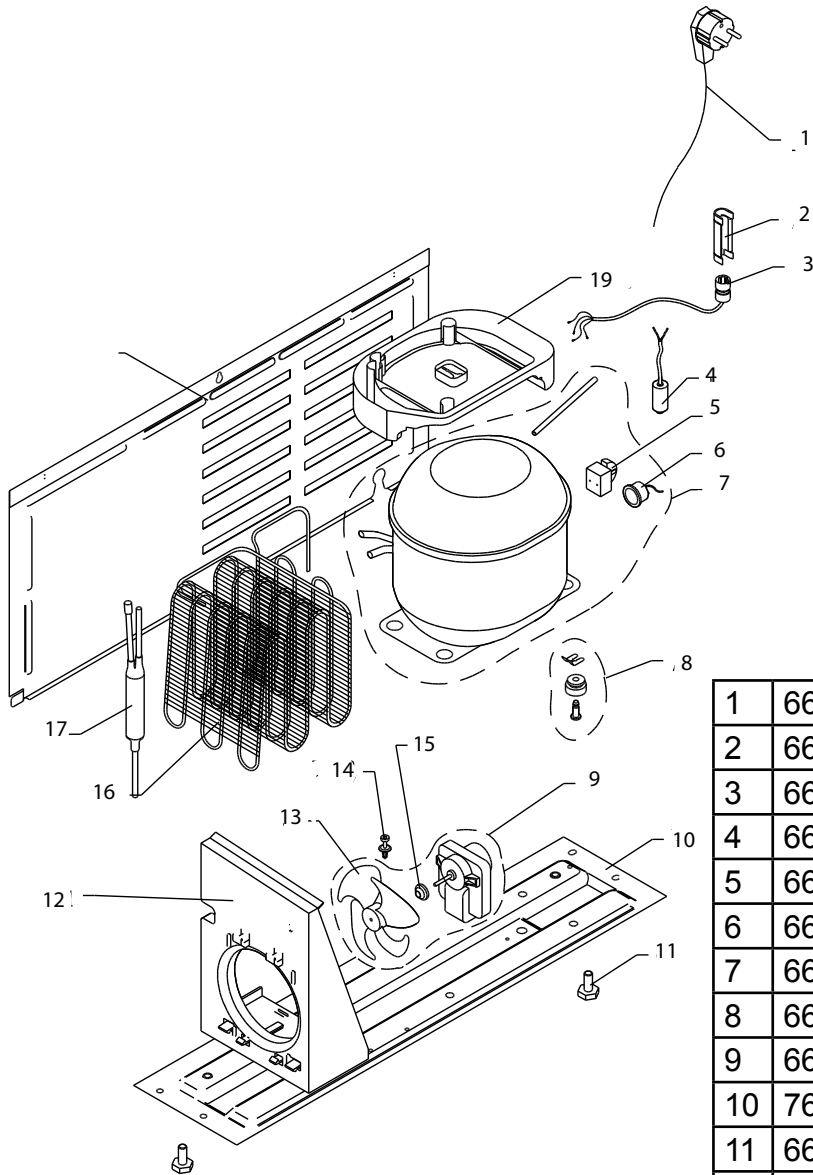


1	66922	PIN
2	66830	SCREW DOOR HINGE
3	66062	DOOR HINGE RIGHT
4	66064	GLASS DOOR
5	66063	MAGNETIC GASKET
6	66935	HINGE FILL PLUG
7	72510BR, CH, CP	DACOR LOGO
8	76051	HANDLE SUPPORT ASM UPPER
9	76052	HANDLE TUBE
10	76053	HANDLE SUPPORT ASM LOWER

**dacor**

Technical Service 1440 Bridge Gate Drive Diamond Bar CA 91765 ph 800-353-2267 Fax 909-612-1702

# EWC - Sealed System



1	66074	POWER CORD
2	66126	CONNECTOR CLAMP
3	66071	HARNESS ASM.COMP
4	66142	CAPACITOR
5	66141	RELAY START
6	66127	OVERLOAD
7	66072	COMPRESSOR REPL. KIT
8	66073	COMPRESSOR MTG KIT
9	66085	MOTOR COND. FAN KIT
10	76037	COMPRESSOR SUPPORT
11	66404	LEVELING LEG REAR
12	66076	COND. FAN HOUSING
13	66080	FAN BLADE COND. MOTOR
14	66079	SCREW RIVET
15	66084	FAN RUBBER
16	66078	CONDENSER
17	66829	DRYER FILTER ASM
18	66143	COVER ACCESS
19	66077	DRAIN PAN

**dacor**

Technical Service 1440 Bridge Gate Drive Diamond Bar CA 91765 ph 800-353-2267 Fax 909-612-1702