



The Life of the Kitchen.®



CPO230 Wall Oven

IMPORTANT: This product may have some parts that are **No Longer Available (NLA)**. If the part you need is no longer available, please contact Dacor for a possible solution:

DACOR CARES PROGRAM NLA Part Locator Service

Customer Contact Number:

(800) 793-0093 ex. 2813
Hours: 6:00 AM - 5:00 PM Pacific Time

Service Agent/Technician Contact Number:

(800) 793-0093 ex. 3814
Hours: 7:00 AM - 4:00 PM Pacific Time

Web Inquiries: www.dacor.com/dacorcares **Email Inquiries:** dacorcares@dacor.com

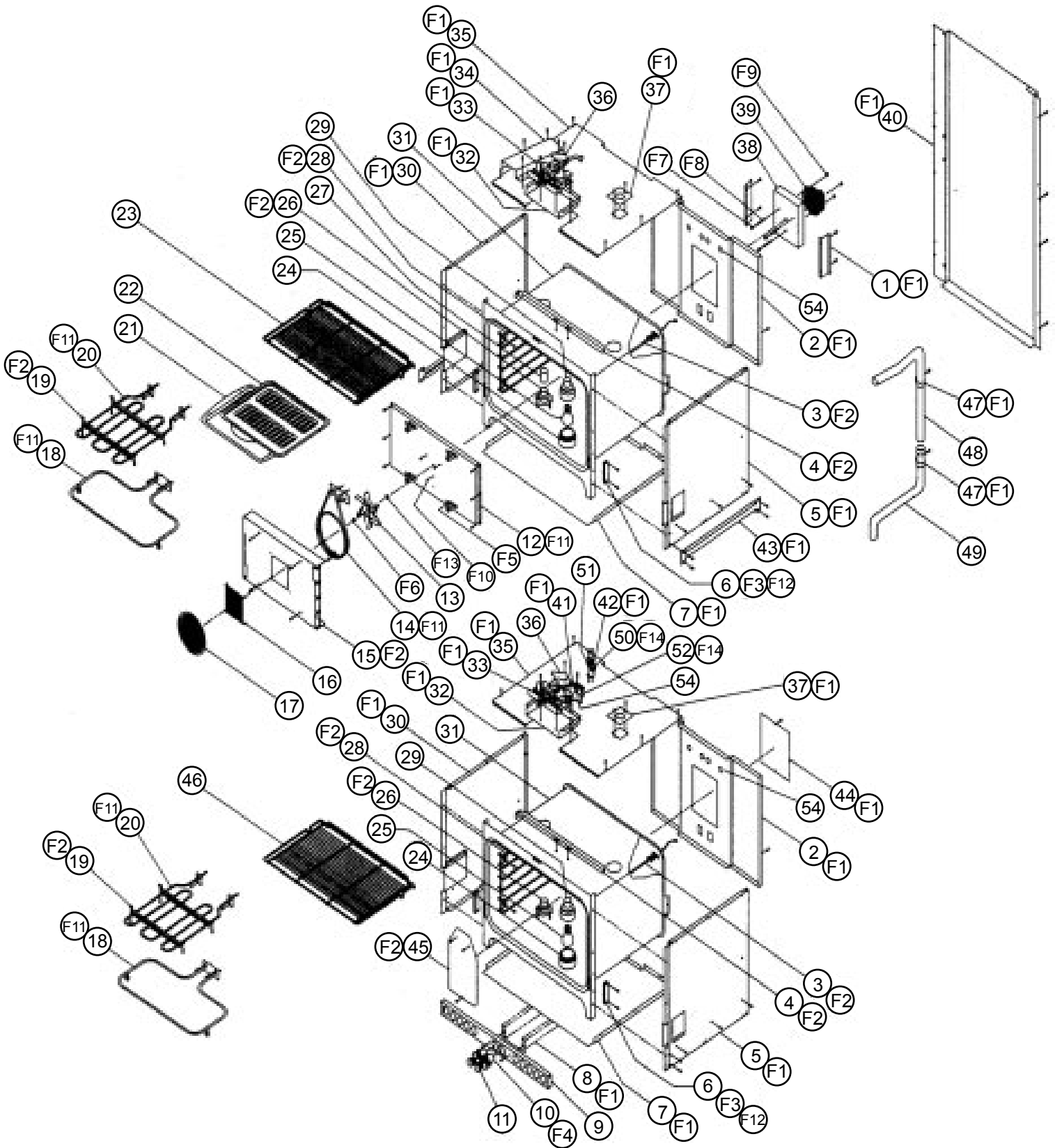
Please provide the following information:

- Your name and phone number
- Product model number
- Product serial number
- The part number(s) you need

Page	Description
2	Chassis Assembly
3	Chassis Parts
4	Door Assembly
5	Door Parts
6	Trim/Sub-Chassis Assembly
7	Trim/Sub-Chassis Parts

Revised 02-14-2012

CPO230 - Wall Oven Chassis Assembly



Part no longer available? Contact Dacor: (800) 793-0093 ex. 3814

CPO230 - Wall Oven Chassis Parts

Item	Part #	Description
1	26548	STIFFENER BRACKET, CASE BACK
2	26542	CASE BACK
3	86663	TEMPERATURE SENSOR
4	12322	OVEN TOP BRACE ASSEMBLY
5	27404	CASE SIDE, RIGHT
6	82851	HINGE RECEPTACLE
7	26569	CASE BOTTOM
8	26552	WIRE RACEWAY (CSA)
9	26549	STIFFENER, CASE BOTTOM AND SIDES
10	82506	FUSE SOCKET (CSA)
11	83112	FUSE, 30 AMP (CSA)
12	27411BP	INSULATION BOX
13	82651	CONVECTION FAN BLADE
14	82887	CONVECTION ELEMENT, 240V
	82251	CONVECTION ELEMENT, 208V
15	26556BP	CONVECTION BAFFLE
16	82659	FINGER GUARD
17	82891	CONVECTION FILTER
18	86745	BAKE ELEMENT, 240V
	82881	BAKE ELEMENT, 208V
19	26142	BROIL ELEMENT SUPPORT
20	82099	BROIL ELEMENT, 240V
	82249	BROIL ELEMENT, 208V
21	82107	BROILER PAN
22	82106	BROILER GRILL
23	82661	CONVECTION OVEN RACK
24	86123	OVEN LIGHT ASSEMBLY, LENS
25	82089	APPLIANCE LIGHT BULB, 40W
26	82826	SMOKE ELIMINATOR
27	28250	EXHAUST TUBE, SHORT
28	82650	RACK SUPPORT, BLACK PORCELAIN
29	82863	OVEN LIGHT ASSEMBLY, HOUSING
30	27405	CASE SIDE, LEFT
31	27408BP	OVEN CELL
32	26538	LATCH PLATE
33	86166	DOOR LATCH
34	26558-2	EXHAUST DUCT, CPO230
35	26539	CASE TOP

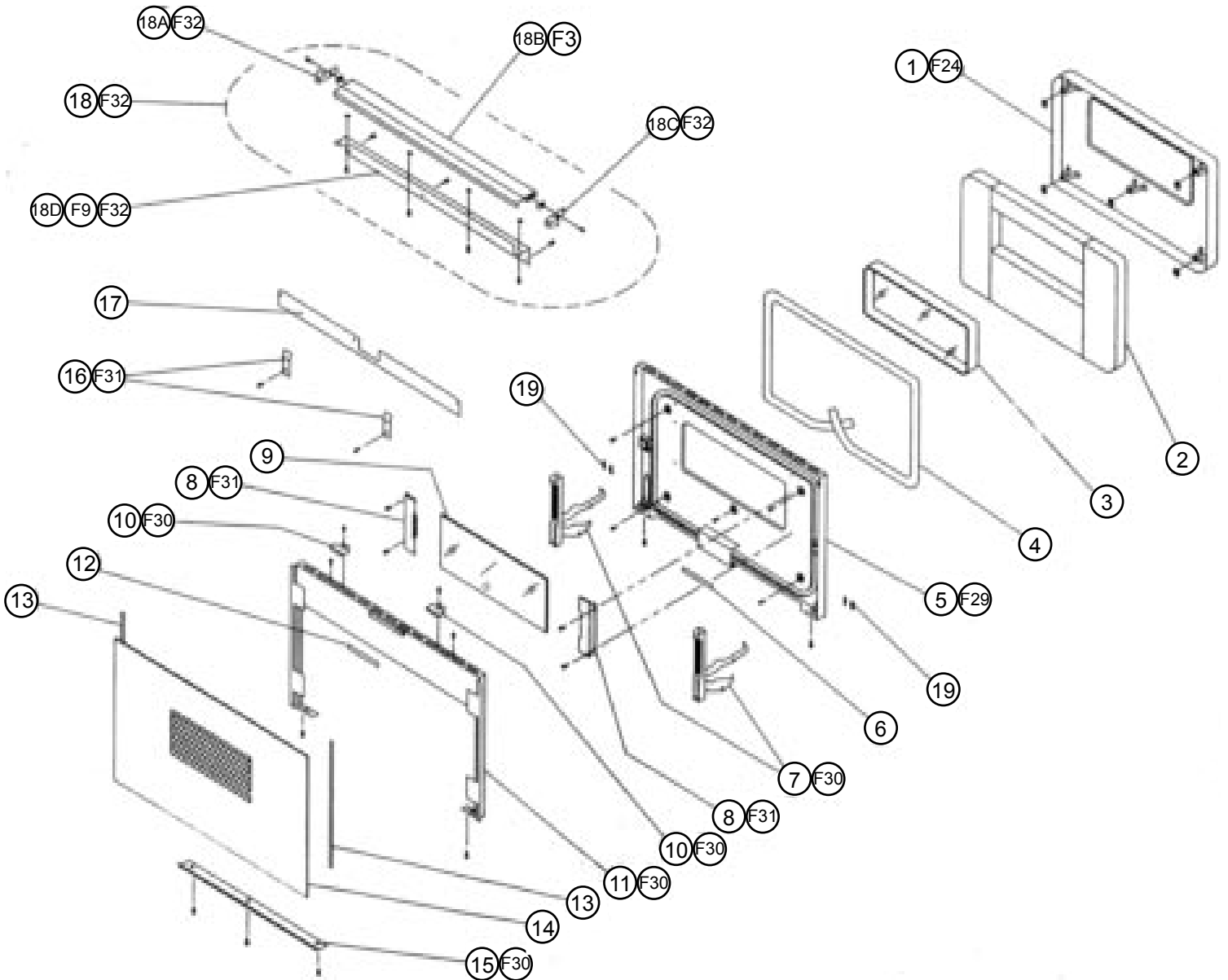
Item	Part #	Description
36	26565	LATCH BAFFLE
37	26560	COVER PLATE, LIGHT HOUSING
38	26561	MOUNTING PLATE, CONVECTION MOTOR
39	82647	CONVECTION MOTOR
40	26543	BACK SHIELD, CPO230
41	26559	TERMINAL BLOCK BRACKET, CPO230
42	26564	SENSOR MOUNTING BRACKET
43	26540	OVEN SUPPORT, CPO230
44	26547	REAR COVER, CONVECTION OPENING
45	26545BP	FRONT COVER, CONVECTION OPENING
46	82868	STANDARD OVEN RACK CPO230
47	83544	CLAMP, TUBE, CPO230
48	82828	EXHAUST TUBE, UPPER, CPO230
49	82827	EXHAUST TUBE, LOWER, CPO230
50	82861	HI-LIMIT, LOWER, CPO230
51	83557	SPRING CLIP, 1 1/4" OD TUBE
52	83556	TERMINAL BLOCK, 2 POLE
54	83056	HEYCO BUSHING

Fasteners		
Item	Part #	Description
F1	83023	SCREW, #10 X 3/8 HEX WASHER HEAD (UL)
F2	83023	SCREW, #10 X 3/8 HEX WASHER HEAD (CSA)
F3	83534	SCREW, #8 X 3/8" ENAMEL PANEL
F4	83024	#8 X 3/8 PHILLIPS PAN HEAD (UL, CSA)
F5	83120	NUT, 8-32 TINNEMAN
F6	82647	NUT, CONVECTION FAN BLADE RETAINING
F7	83333	SPACER, 8-32 X 1/2 HEX X 7/16" LONG
F8	83349	STUD, 8-32 X 1-5/32"
F9	83048	NUT, 8-32"
F10	83341	SCREW, 8-32 X 5/16" PHILLIPS PAN HEAD
F11	83019	SCREW, #8 X 3/8 HEX WASHER HEAD
F12	83340	WASHER, #10 EXT. TOOTH LOCK
F13	82647	WASHER, FLAT, CONVECTION FAN BLADE
F14	83313	SCREW, #8 X 3/8" PHILLIPS PAN HEAD



Part no longer available? Contact Dacor: (800) 793-0093 ex. 3814

CPO230 - Wall Oven Door Assembly



CPO230 - Wall Oven Door Parts

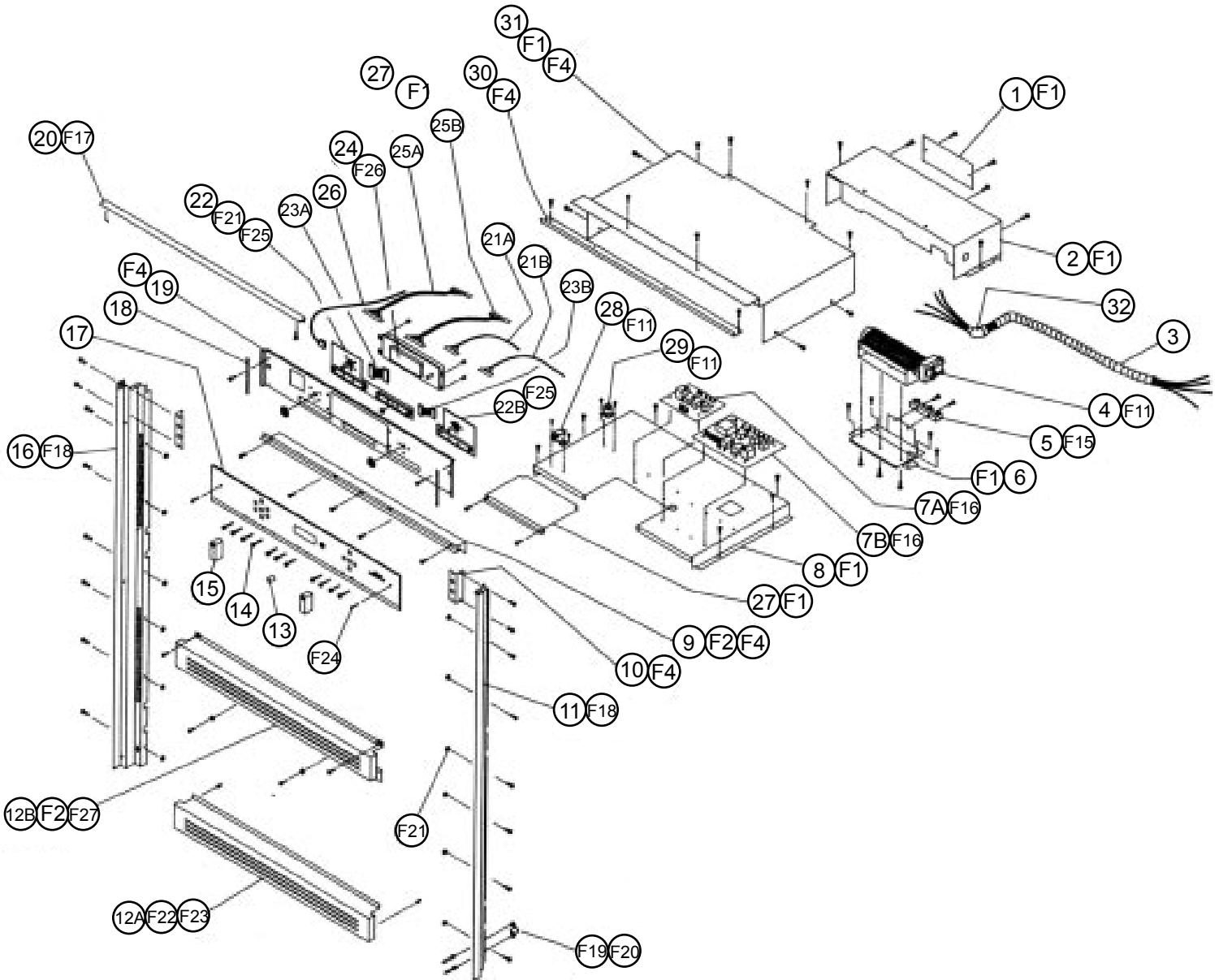
Item	Part #	Description
1	27111BP	INNER DOOR LINER - BLACK PORCELAIN
2	13101	DOOR INSULATION
3	82218	WINDOW PACK
4	82124	DOOR GASKET
5	27415BP	OUTER DOOR LINER - BLACK PORCELAIN
6	83224	TAPE, DOUBLE SIDED, .05W X 5"L
7	82849	HINGE ASSEMBLY
8	26400B	MOUNTING BRACKET, INNER DOOR GLASS, BLACK
9	82213	GLASS HEAT BARRIER
10	26393	MOUNTING BRACKET, OUTER DOOR GLASS (specify color)
11	27414B	DOOR GLASS FRAME, BLACK
12	83224	TAPE, DOUBLE SIDED, .05"W X 4.75L
13	83224	TAPE, DOUBLE SIDED, 0.5"W X 17.625"L
14	82862	OUTER DOOR GLASS (specify oven color)
15	26563	SUPPORT BRACKET, OUTER DOOR GLASS (specify oven color)
16	26428	RETAINING BRACKET, NUT PLATE
17	13056	NUT PLATE, DOOR HANDLE
18	13236	DOOR HANDLE ASSEMBLY (specify color)
18A	82869	END CAP, RT (specify color)
18B	27348	HANDLE WELDMENT (specify color)
18C	82870	END CAP, LEFT (specify color)
18D	26555BS	HANDLE SUPPORT
19	83552	SPRING CLIP, HINGE
	12320	COMPLETE DOOR ASSEMBLY (not shown, specify oven color)

Fasteners		
Item	Part #	Description
F3	83534	SCREW, #8 X 3/8" ENAMEL PANEL
F24	83296	SCREW, 10-24 BUTTON HEAD (BLACK)
	83297	SCREW, 10-24 BUTTON HEAD (WHITE)
	83298	SCREW, 10-24 BUTTON HEAD (AL-MOND)
F29	83018	SCREW, 10-24 X 5/8" PHILLIPS TRUSS HEAD
F30	83263	SCREW, #8 X 3/8 PHILLIPS WAFER HEAD
F31	83022	SCREW, #10 X 1/2 PHILLIPS TRUSS HEAD
F32	83336	SCREW, 8-32 X 1/2" PHILLIPS PAN HEAD, BLACK

Part no longer available? Contact Dacor: (800) 793-0093 ex. 3814



CPO230 - Trim/Sub-Chassis Assembly



Part no longer available? Contact Dacor: (800) 793-0093 ex. 3814

CPO230 - Trim/Sub-Chassis Parts

Item	Part #	Description
1	26357	TERMINAL BLOCK COVER
2	27422	BACKSHIELD, TOP
3	26562	1" FLEX CONDUIT, 66"
4	82889	COOLING BLOWER
5	82151	TERMINAL BLOCK
6	27332	MOUNTING BRACKET, TERMINAL BLOCK AND BLOWER
7A	82838	RELAY PCB, LOWER OVEN, CPO230
7B	82837	RELAY PCB, UPPER OVEN, CPO230
8	27395	SUB-CHASSIS, CPO230
9	26553	CONTROL PANEL TRIM (specify oven color)
10	26550	SUPPORT BRACKET, SUB PANEL
11	27417	TRIM POST, RIGHT - CPO230 (specify oven color)
12A	27409	TRIM PANEL, LOWER (specify oven color)
12B	27421	TRIM PANEL, MIDDLE (specify oven color)
13	82821	KNOB, TIME/TEMP (specify oven color)
14	82820	PUSH BUTTON (specify oven color)
15	82822	KNOB, MODE SELECTOR (specify oven color)
16	27418	TRIM POST, LEFT
17	82854	CONTROL PANEL GLASS, CPO230 (specify oven color)
18	83240	FOAM TAPE, SINGLE SIDED 3.75" LONG
19	26551	SUB PANEL
20	82855	TOP TRIM EXTRUSION (specify oven color)
21A	82839	HARNESS ASSEMBLY, SENSOR - DOOR LATCH, CPO230, LOWER
21B	82840	HARNESS ASSEMBLY, SENSOR - DOOR LATCH, CPO230, UPPER
22A	82811	ROTARY SWITCH PCB, UPPER
22B	82812	ROTARY SWITCH PCB, LOWER
23A	82847	HARNESS ASSEMBLY, ERC TO ROTARY SW
23B	82846	HARNESS ASSEMBLY, ROTARY SW TO ROTARY SW

Item	Part #	Description
24	82875	OVEN CONTROL, CPO230
25A	82844	HARNESS ASSEMBLY, ERC TO MAIN RELAY PCB, CPO230
25B	82845	HARNESS ASSEMBLY, ERC TO LOWER OVEN RELAY PCB, CPO230
26	82843	HARNESS ASSEMBLY, OVEN LIGHT, CPO230
27	26541	LATCH COVER
28	82860	COOLING FAN SWITCH
29	82861	HI TEMP LIMIT SWITCH
30	26567	EXTRUSION SUPPORT BRACKET
31	26566	TOP SHIELD
32	82197	CONDUIT CONNECTOR, 90 DEG, 1" FLEX, CPO230

Fasteners

Item	Part #	Description
F1	83023	SCREW, #10 X 3/8 HEX WASHER HEAD (UL)
F2	83023	SCREW, #10 X 3/8 HEX WASHER HEAD (CSA)
F4	83024	#8 X 3/8 PHILLIPS PAN HEAD (UL, CSA)
F11	83019	SCREW, #8 X 3/8 HEX WASHER HEAD
F15	83010	SCREW, #8 X 3/4" PHILLIPS PAN HEAD
F16	83538	PCB STANDOFF, NYLON
F18	83026	SCREW, #10 X 3/4
F20	83262	POP RIVET, 1/8"
F21	83555	FIBER WASHER
F22	83308	NUT, 6-32 KEPS
F23	83539	BALL STUD
F24	83296	SCREW, 10-24 BUTTON HEAD (BLACK)
	83297	SCREW, 10-24 BUTTON HEAD (WHITE)
	83298	SCREW, 10-24 BUTTON HEAD (ALMOND)
F25	83549	SPRING CLIP, 0.35" DIAMETER SHAFT
F26	83559	SCREW, 6-32 X 3/8" THREAD CUTTING